



US00D665073S

(12) **United States Design Patent**
Inoue et al.

(10) **Patent No.:** **US D665,073 S**

(45) **Date of Patent:** **** Aug. 7, 2012**

(54) **ATOMIZER FOR INHALER**

(75) Inventors: **Kosuke Inoue**, Kyoto (JP); **Yoshikazu Inami**, Akashi (JP)

(73) Assignee: **Omron Healthcare Co., Ltd.**, Kyoto (JP)

(**) Term: **14 Years**

(21) Appl. No.: **29/368,055**

(22) Filed: **Aug. 17, 2010**

(30) **Foreign Application Priority Data**

Feb. 26, 2010 (JP) 2010-004689

(51) **LOC (9) Cl.** **29-02**

(52) **U.S. Cl.** **D24/110**

(58) **Field of Classification Search** D24/110;
128/200.14, 200.26, 200.18, 200.21, 203.12,
128/203.17, 203.27

See application file for complete search history.

(56) **References Cited**

U.S. PATENT DOCUMENTS

5,170,782 A * 12/1992 Kocinski 128/200.16
6,240,918 B1 * 6/2001 Ambrosio et al. 128/203.15
D471,626 S * 3/2003 Terada et al. D24/110
6,698,421 B2 * 3/2004 Attolini 128/200.14
D493,220 S * 7/2004 Burge et al. D24/110

D550,835 S * 9/2007 Tanaka et al. D24/110
D597,656 S * 8/2009 Bird et al. D24/110
D638,117 S * 5/2011 Eckstein et al. D24/110

* cited by examiner

Primary Examiner — Ian Simmons

Assistant Examiner — Christopher Lee

(74) *Attorney, Agent, or Firm* — Capitol City TechLaw

(57) **CLAIM**

The ornamental design for an atomizer for inhaler, as shown and described.

DESCRIPTION

FIG. 1 is a front, top, and left side perspective view of an atomizer for inhaler showing our new design;

FIG. 2 is a rear, top, and right side perspective view thereof;

FIG. 3 is a front elevational view thereof;

FIG. 4 is a rear elevational view thereof;

FIG. 5 is a top plan view thereof;

FIG. 6 is a bottom plan view thereof;

FIG. 7 is a right side elevational view thereof; and,

FIG. 8 is a left side elevational view thereof.

The atomizer for inhaler is fabricated from translucent materials. The oblique shading indicates translucency.

The broken lines in FIGS. 5 and 6 are included for the purpose of illustrating portions of the atomizer for inhaler that form no part of the claimed design.

1 Claim, 8 Drawing Sheets

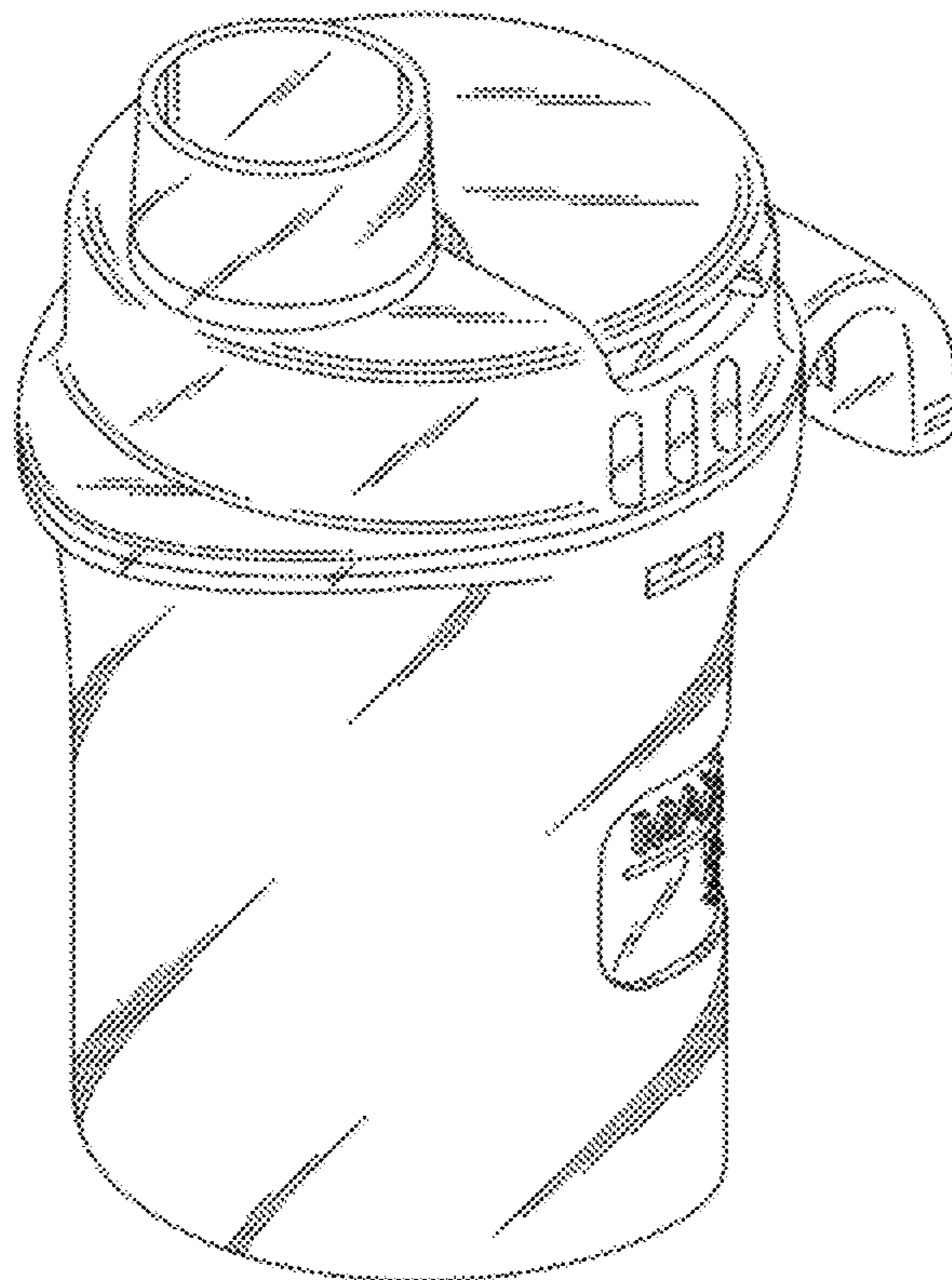


Fig. 1



Fig. 2

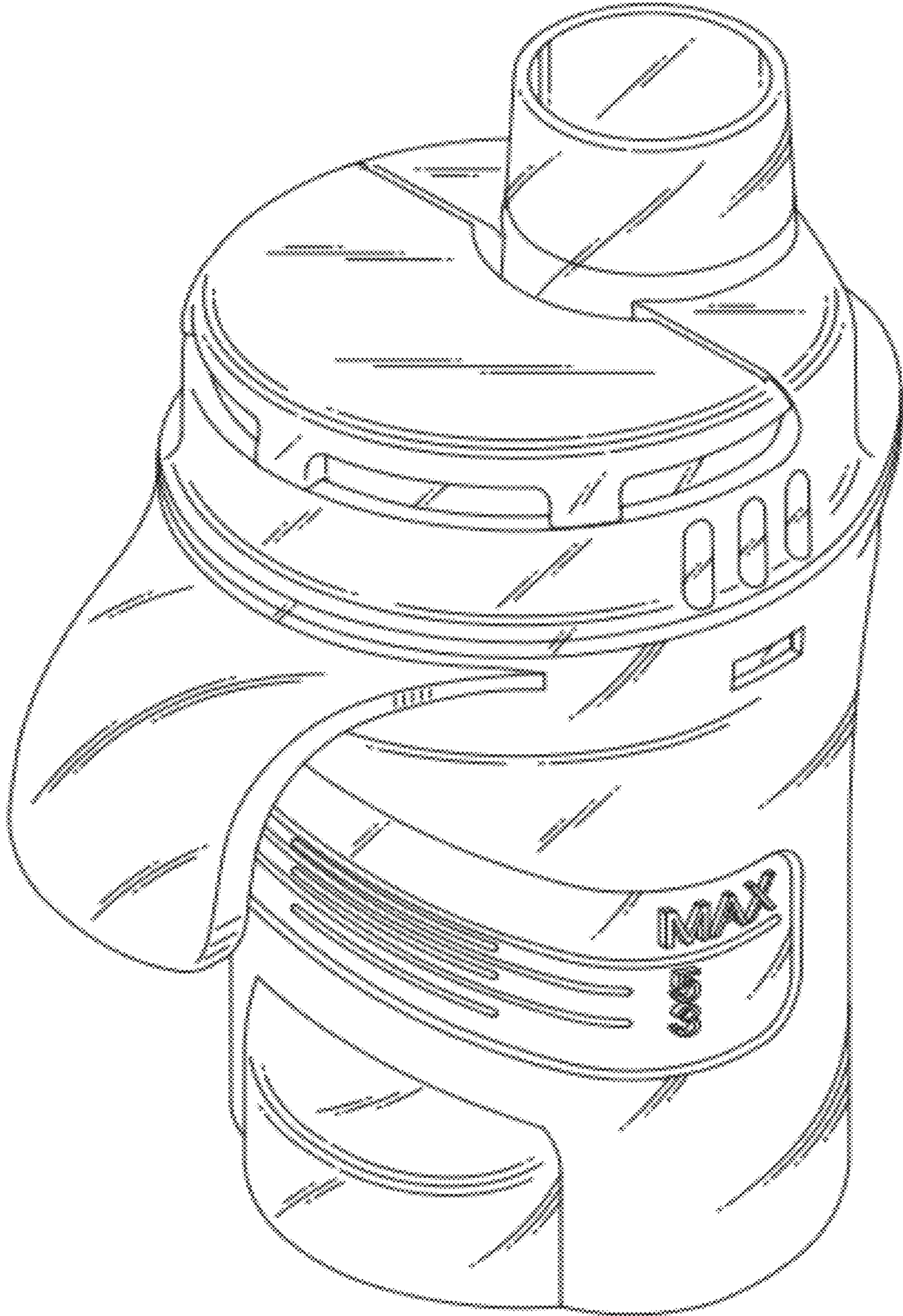


Fig. 3

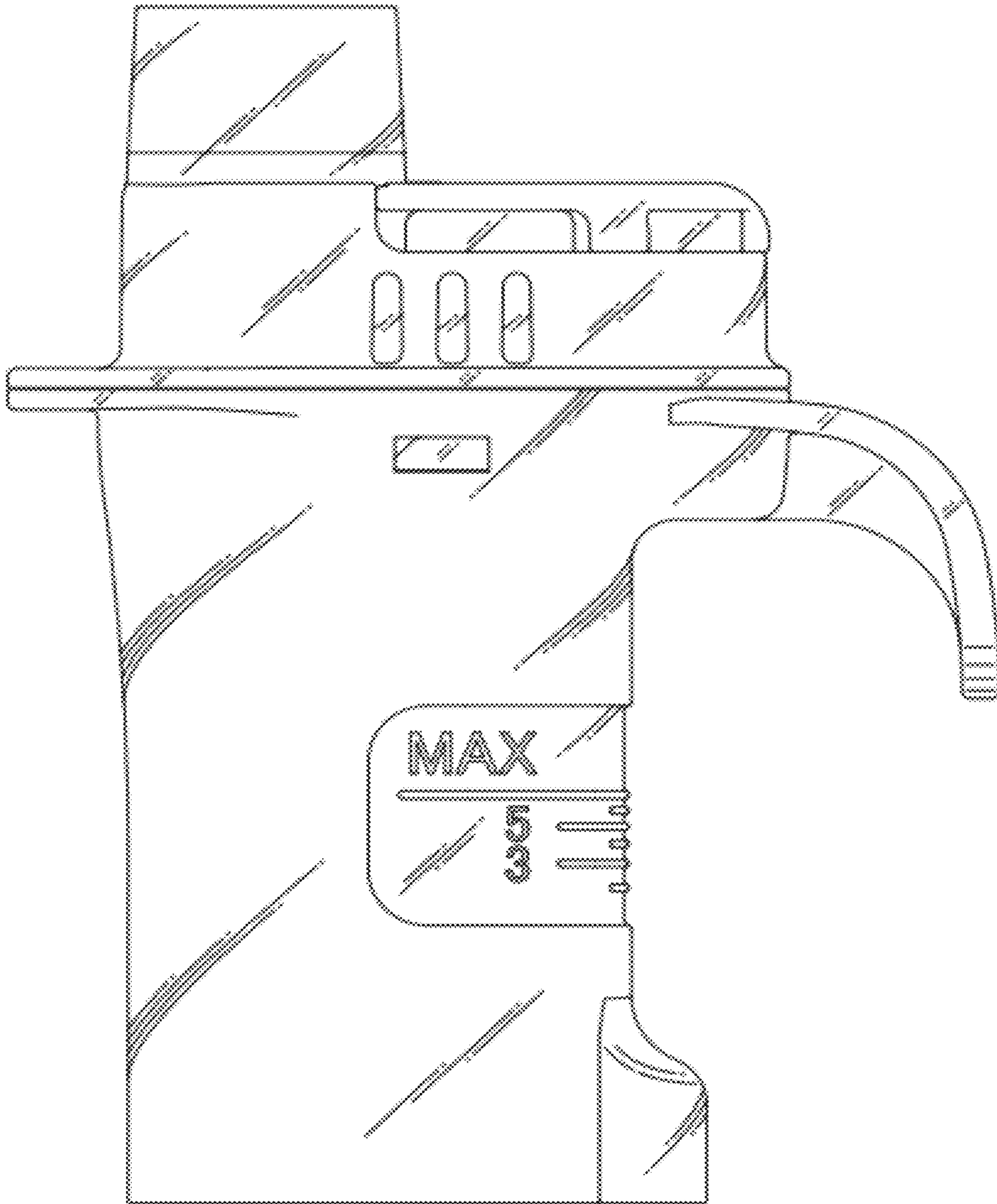


Fig. 4

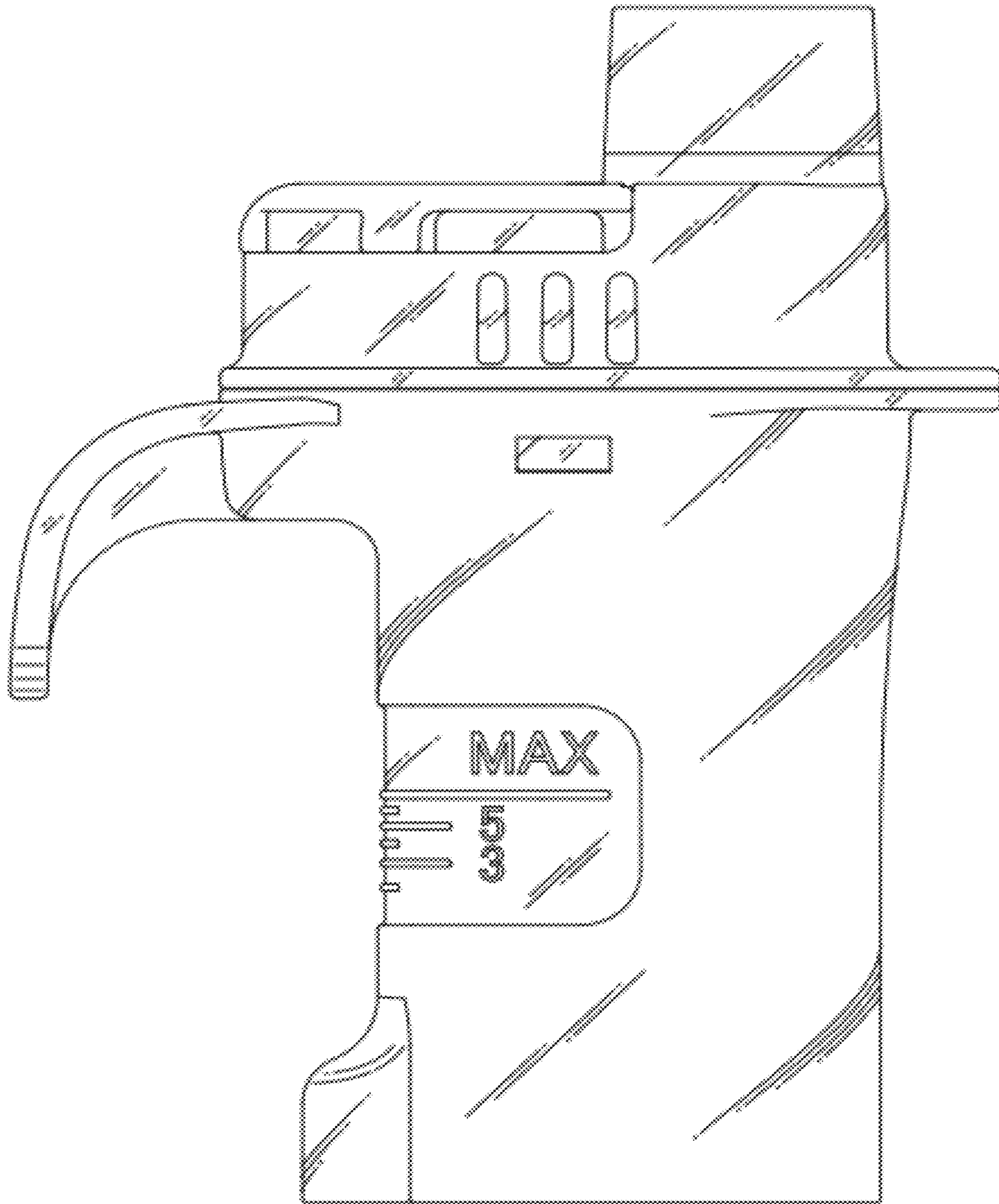


Fig. 5

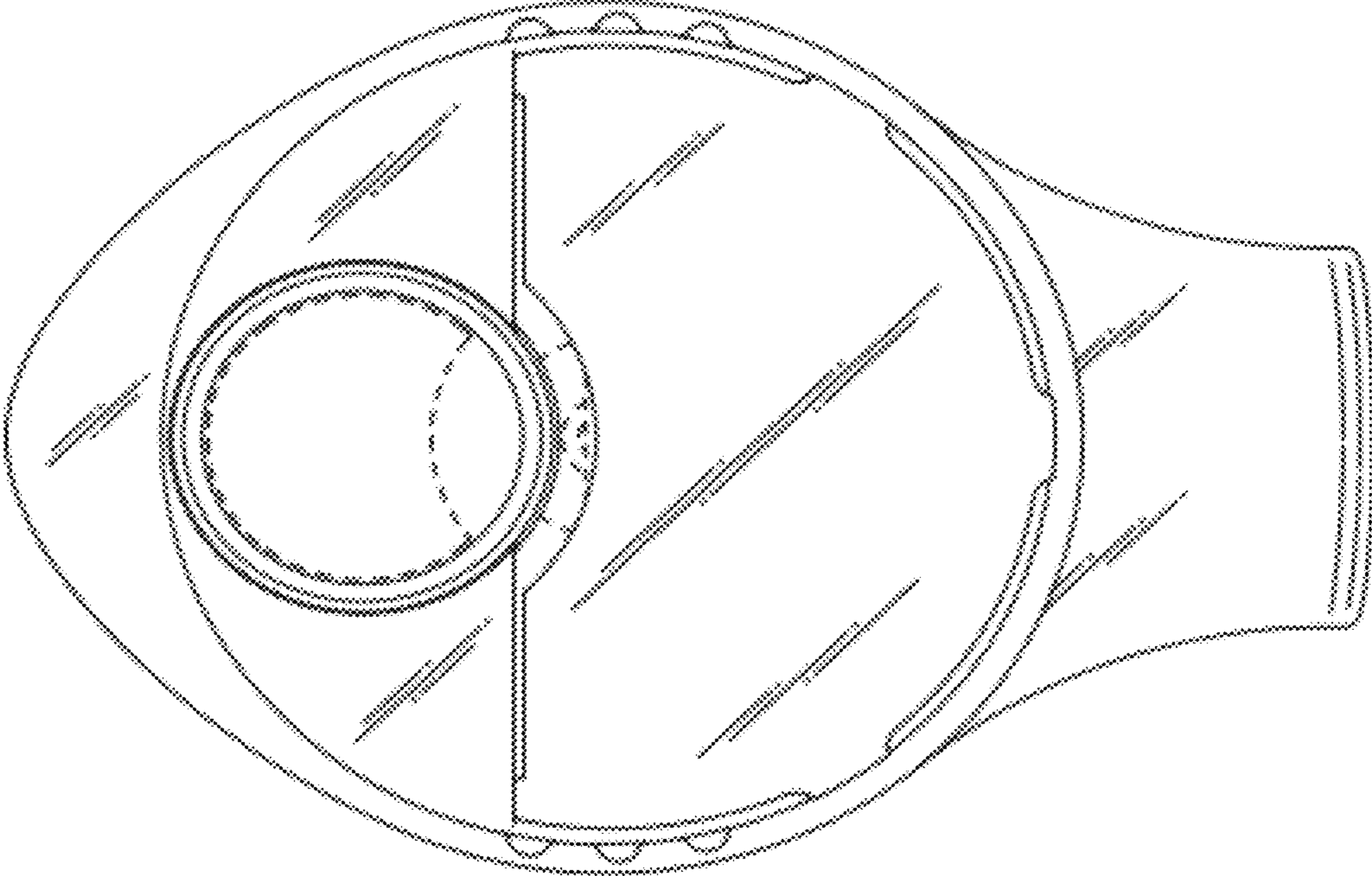


Fig. 6

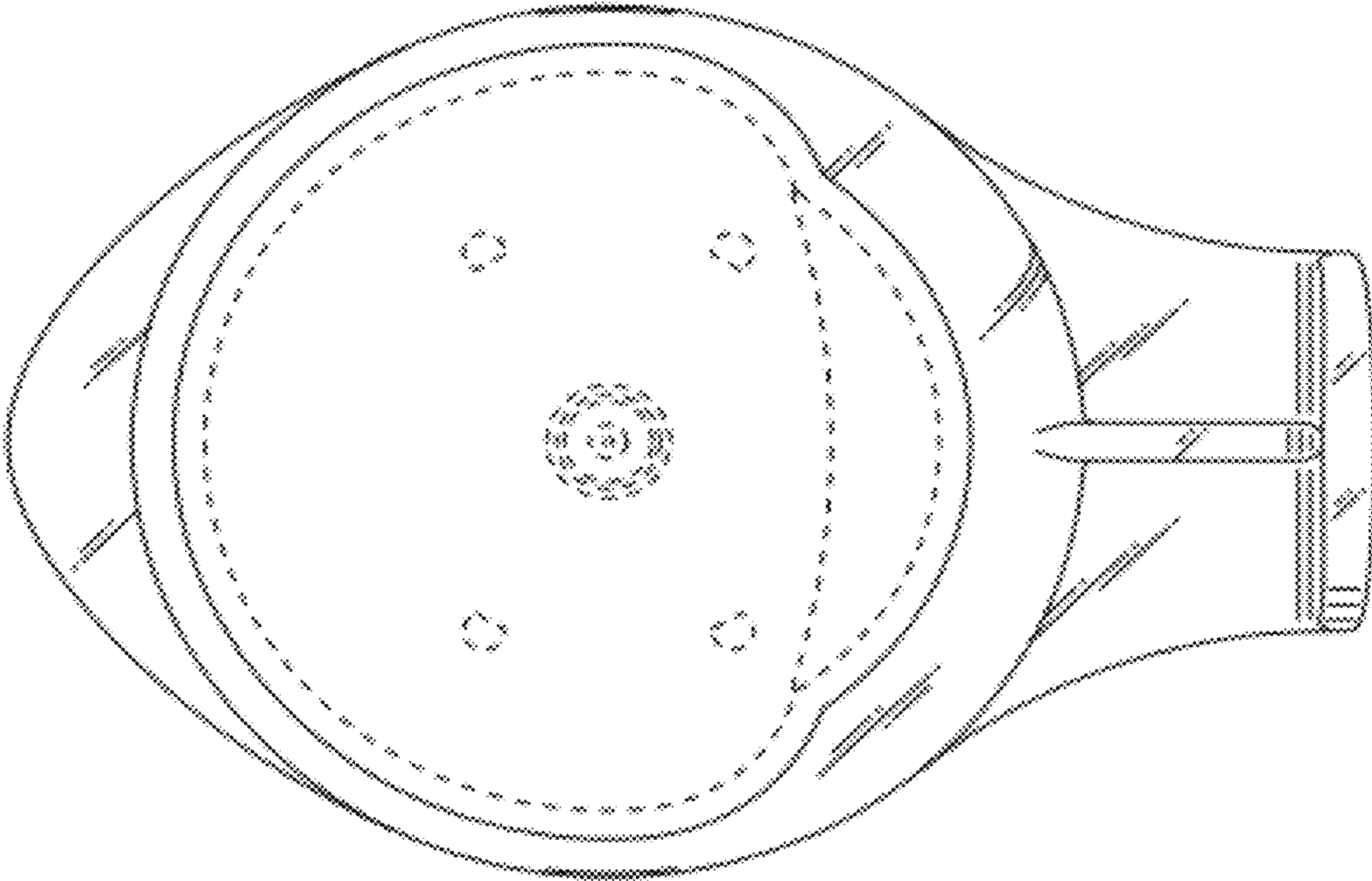


Fig. 7

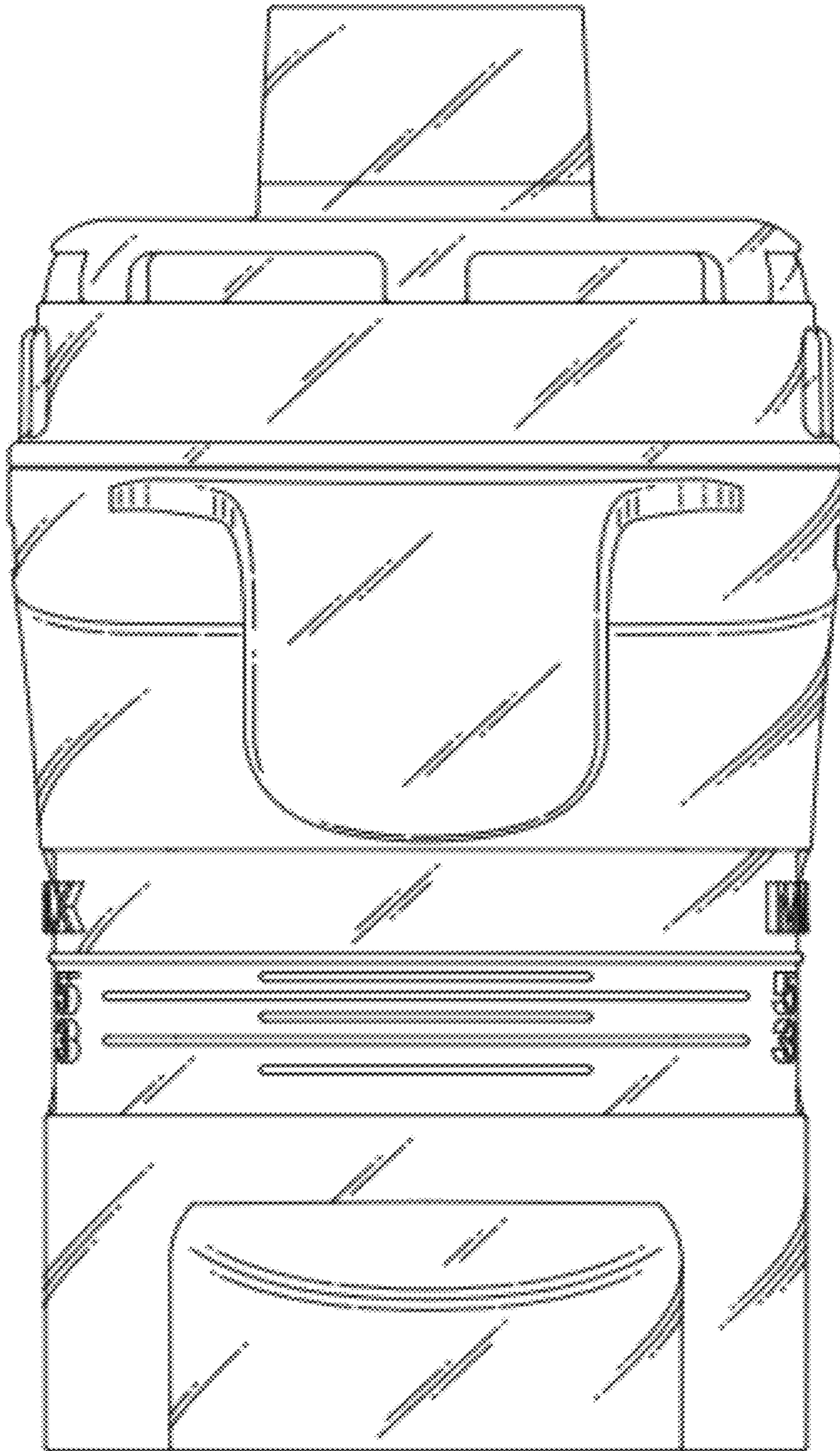


Fig. 8

