

US00D665072S

(12) **United States Design Patent**
Trento et al.

(10) **Patent No.:** **US D665,072 S**

(45) **Date of Patent:** **** Aug. 7, 2012**

(54) **CAPSULE FOR PHARMACEUTICAL PRODUCTS**

(56) **References Cited**

(75) Inventors: **Fabio Trento**, Pare Como (IT); **Sergio Cantoreggi**, Cagiallo (CH); **Giorgia Rossi**, Cernobbio Como (IT); **Roberta Cannella**, Varese (IT); **Daniele Bonadeo**, Casalzuigno Varese (IT); **Riccardo Braglia**, Lugano-Pazzallo (CH)

U.S. PATENT DOCUMENTS

1,419,618	A	*	6/1922	Deming	424/438
1,931,765	A	*	10/1933	Leever	426/78
2,102,885	A	*	12/1937	Carroll	206/530
2,340,037	A	*	1/1944	Zipper	424/453
3,345,265	A	*	10/1967	Grodberg et al.	424/475
3,620,759	A	*	11/1971	Maddox	426/78
3,844,407	A	*	10/1974	Buie	206/1.5
D237,199	S	*	10/1975	Sauter	D24/104
4,601,896	A	*	7/1986	Nugent	424/453
D520,635	S	*	5/2006	Bonny et al.	D24/104
D530,814	S	*	10/2006	Bonny et al.	D24/104

(73) Assignee: **Helsinn Healthcare S.A.**, Lugano (CH)

* cited by examiner

(**) Term: **14 Years**

Primary Examiner — Ian Simmons

Assistant Examiner — Charles Hanson

(21) Appl. No.: **29/401,197**

(74) *Attorney, Agent, or Firm* — Norris McLaughlin & Marcus, P.A.

(22) Filed: **Sep. 8, 2011**

(57) **CLAIM**

The ornamental design for a capsule for pharmaceutical products, as shown and described.

(30) **Foreign Application Priority Data**

DESCRIPTION

Apr. 13, 2011 (EM) 001850801

(51) **LOC (9) Cl.** **28-01**

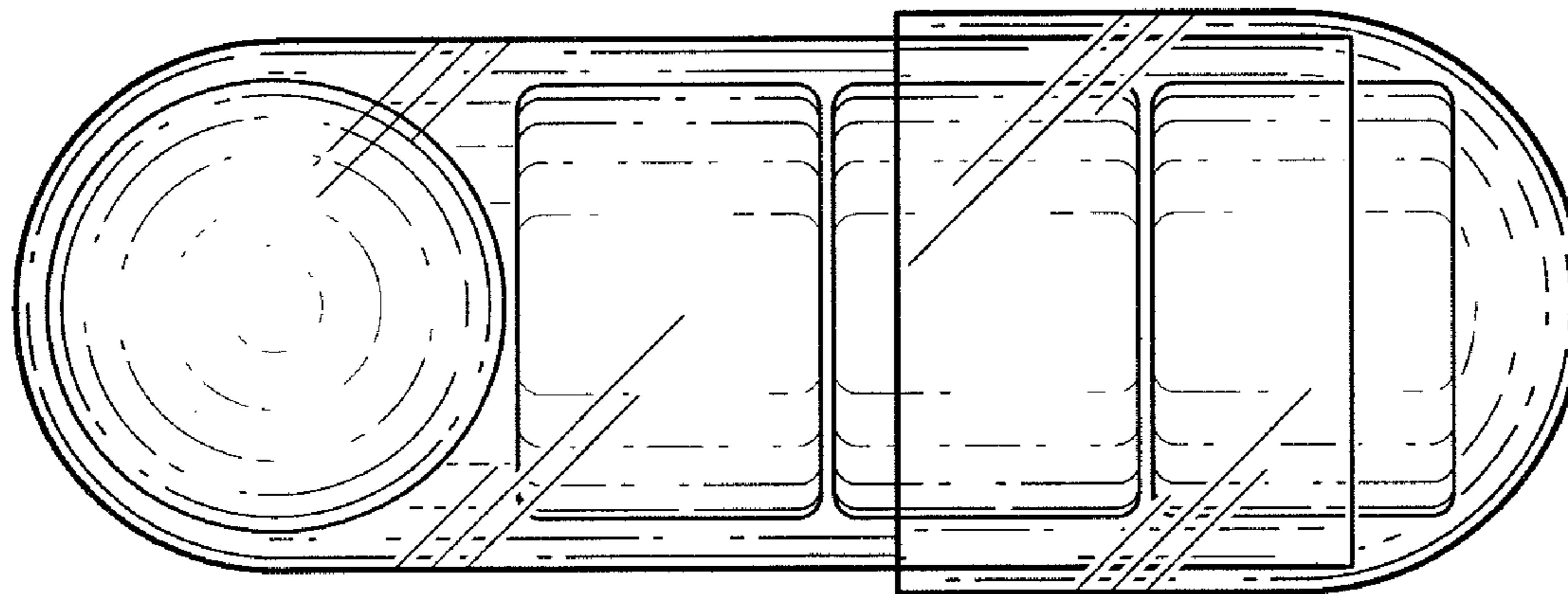
(52) **U.S. Cl.** **D24/104**

(58) **Field of Classification Search** D24/100-104;
424/451, 453, 464, 467, 474, 438, 475; 206/1.5

FIG. 1 is a front perspective view of a capsule for pharmaceutical products, showing our design;
FIG. 2 is a right side elevational view thereof;
FIG. 3 is a top plan view thereof;
FIG. 4 is a front plan view thereof; and,
FIG. 5 is a back plan view thereof.

See application file for complete search history.

1 Claim, 3 Drawing Sheets



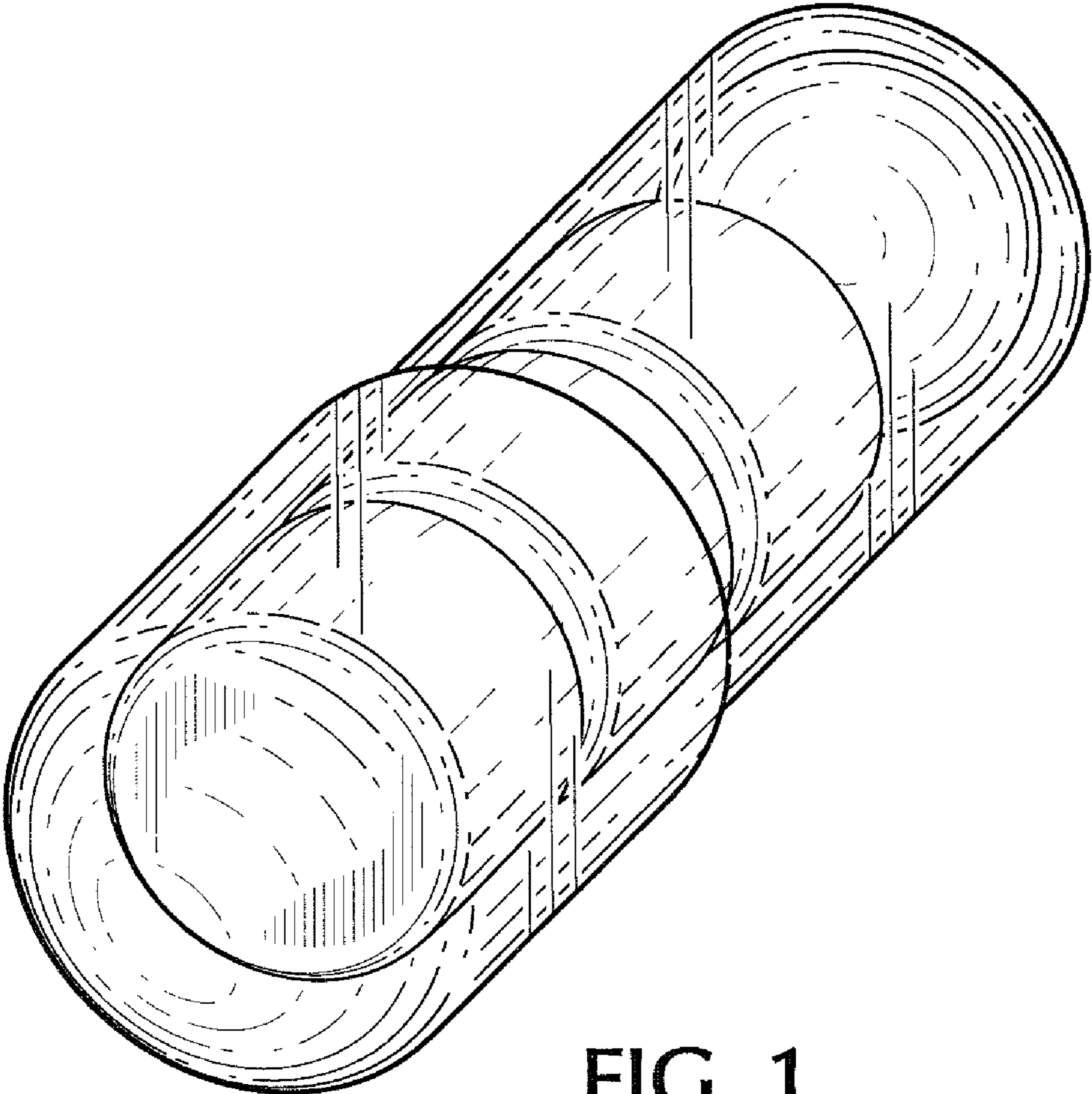


FIG. 1

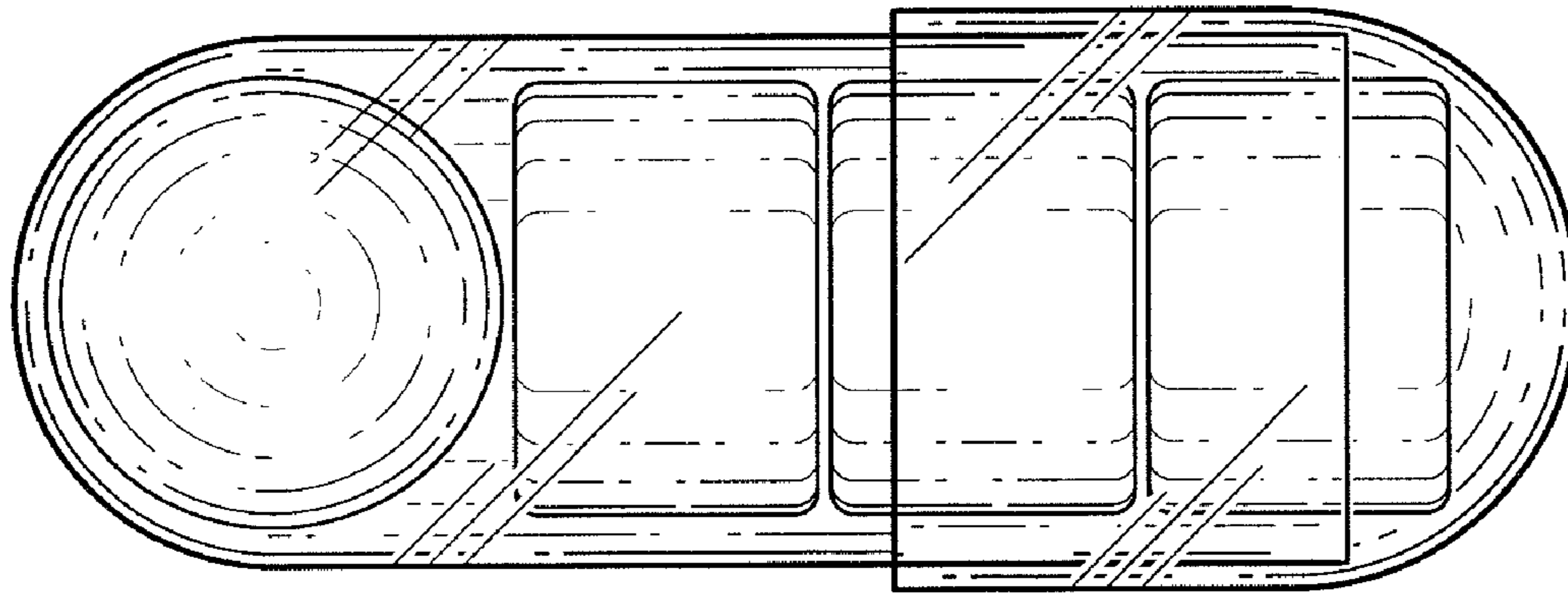


FIG. 2

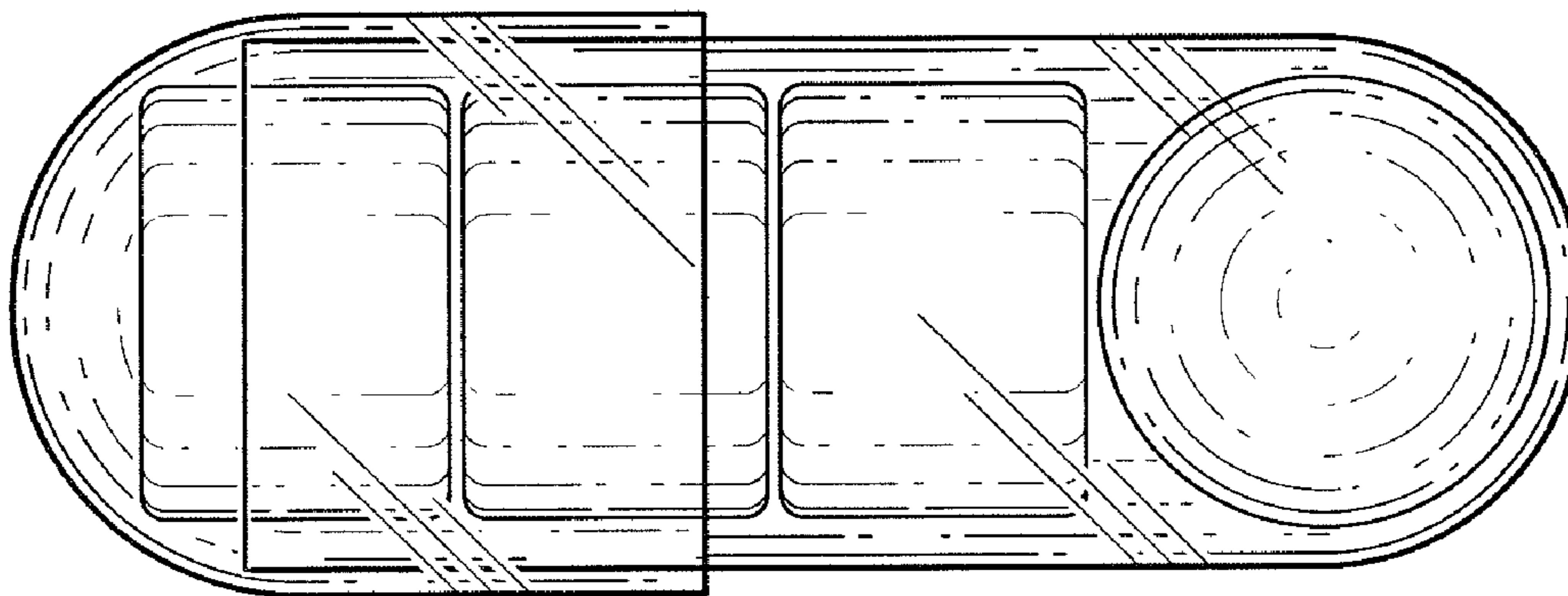


FIG. 3

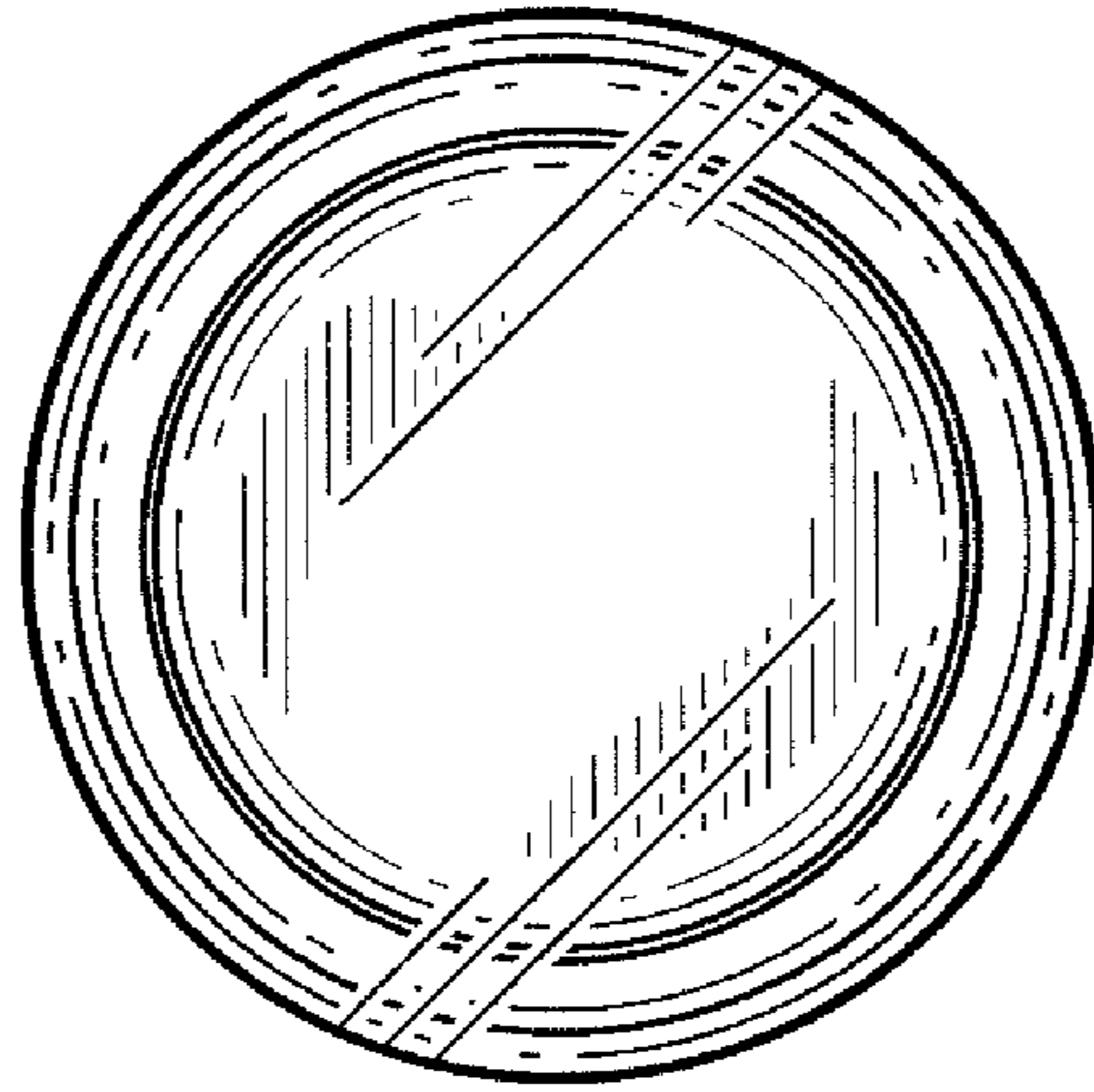


FIG. 4

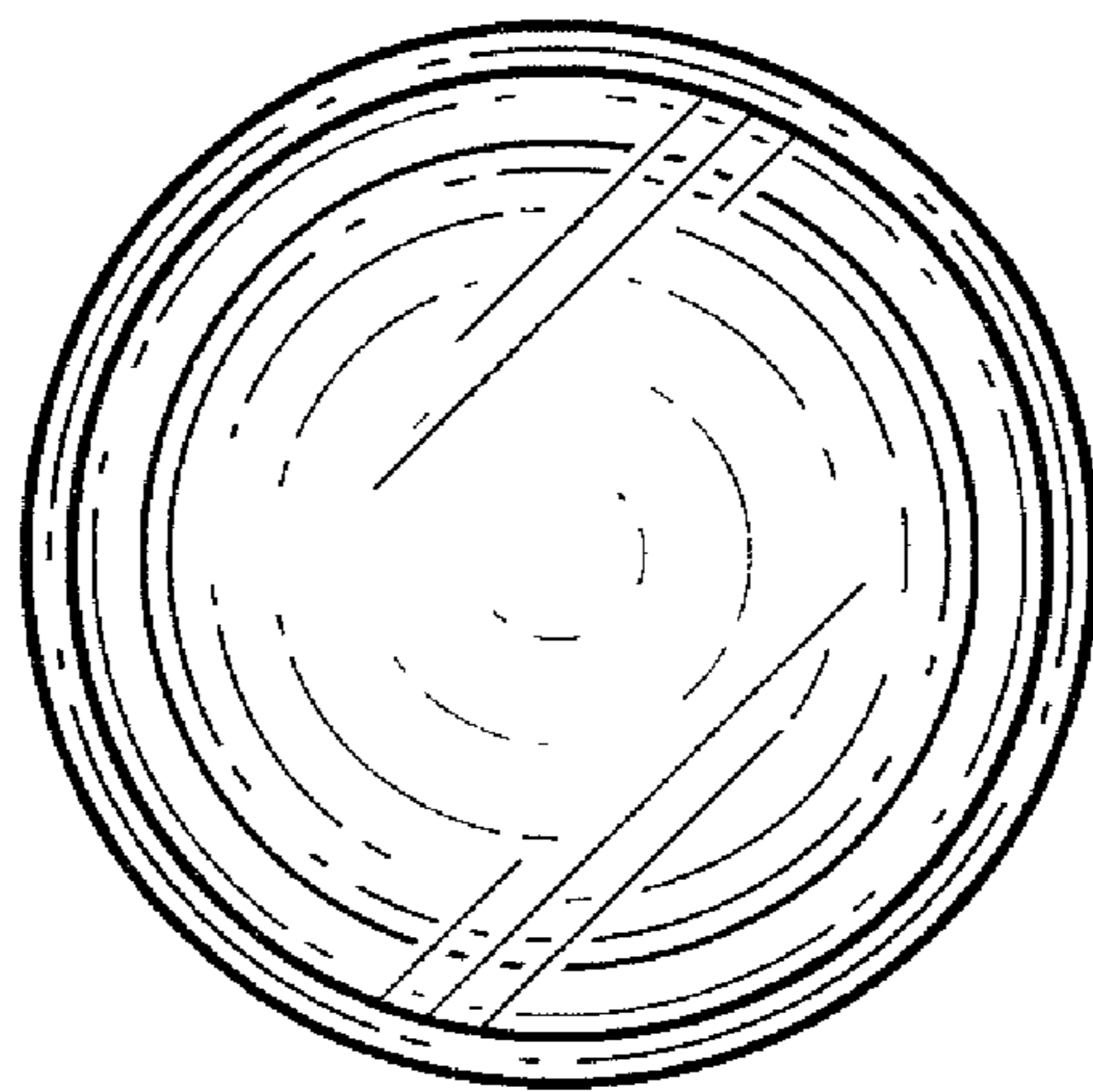


FIG. 5