



US00D665071S

(12) **United States Design Patent**
Goel et al.

(10) **Patent No.:** **US D665,071 S**

(45) **Date of Patent:** **** Aug. 7, 2012**

(54) **DEPOSITION CHAMBER LINER**

(75) Inventors: **Ashish Goel**, Bangalore (IN); **Anantha K. Subramani**, San Jose, CA (US)

(73) Assignee: **Applied Materials, Inc.**, Santa Clara, CA (US)

(**) Term: **14 Years**

(21) Appl. No.: **29/411,698**

(22) Filed: **Jan. 25, 2012**

(51) **LOC (9) Cl.** **23-04**

(52) **U.S. Cl.** **D23/386; D15/144**

(58) **Field of Classification Search** D23/385–395, D23/397, 370–373, 365, 351, 354, 399–403, D23/421, 499, 269, 262, 266; D15/144, D15/144.1, 144.2; 454/309, 275–277, 284, 454/287–291, 358–363; 55/502, 506, DIG. 26; 52/302.1, 32.07; 204/298.11, 298.02; 438/680; 277/602; 248/62–64; D12/207, 208

See application file for complete search history.

(56) **References Cited**

U.S. PATENT DOCUMENTS

D387,074 S *	12/1997	Farley et al.	D15/144.2
D446,298 S *	8/2001	Thurman	D23/393
D451,457 S *	12/2001	Hale, Jr.	D12/208
D466,652 S *	12/2002	Thurman	D23/393
6,719,886 B2 *	4/2004	Drewery et al.	204/298.11
D491,963 S *	6/2004	Doba	D15/144
6,780,294 B1 *	8/2004	Hixson et al.	204/298.11
6,824,658 B2 *	11/2004	Gopalraja et al.	204/298.11

6,837,974 B2 *	1/2005	Lawson et al.	204/298.11
D504,503 S *	4/2005	Thurman	D23/393
D508,005 S *	8/2005	Ikeda et al.	D12/208
D589,126 S *	3/2009	Concannon	D23/262
D646,373 S *	10/2011	Liebson et al.	D23/393

* cited by examiner

Primary Examiner — David Muller

(74) *Attorney, Agent, or Firm* — Patterson & Sheridan, LLP

(57) **CLAIM**

The ornamental design for a deposition chamber liner, as shown and described.

DESCRIPTION

FIG. 1 is a top perspective view of a deposition chamber liner. FIG. 2 is a bottom perspective view of the deposition chamber liner of FIG. 1.

FIG. 3 is a top plan view of the deposition chamber liner of FIG. 1.

FIG. 4 is a bottom plan view of the deposition chamber liner of FIG. 1.

FIG. 5 is a side elevation view of the deposition chamber liner of FIG. 1, the other sides being identical.

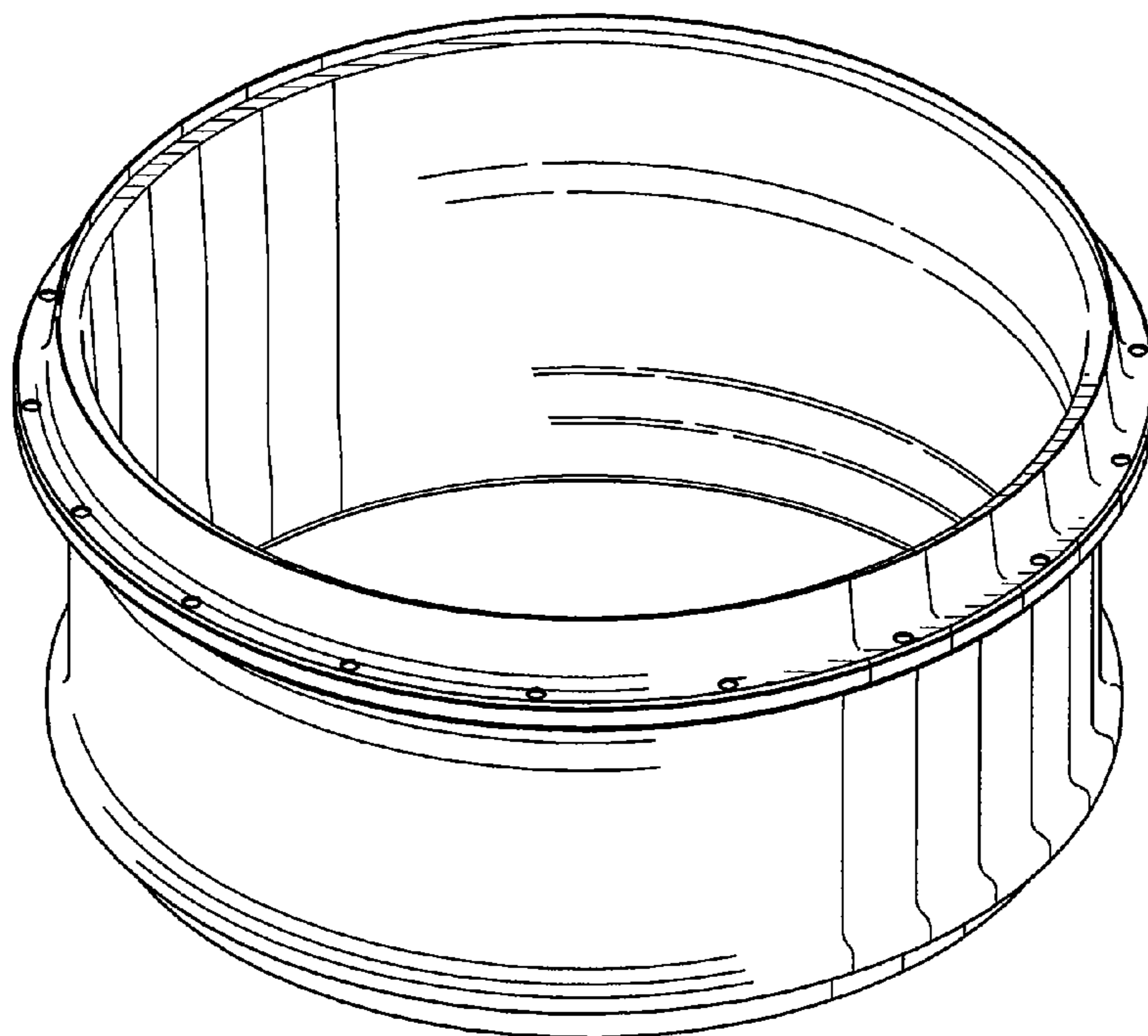
FIG. 6 is a side cross-sectional view of the deposition chamber liner of FIG. 1, taken along section line 6-6 of FIG. 5.

FIG. 7 is an enlarged partial cross-sectional view of FIG. 6; and,

FIG. 8 is an enlarged partial cross-sectional view of FIG. 6.

The jagged lines on the sides of FIGS. 7 and 8 are utilized to show where the enlarged view is broken away from the remainder of the deposition chamber liner of FIG. 6. The jagged lines on FIGS. 7 and 8 form no part of the claimed design.

1 Claim, 7 Drawing Sheets



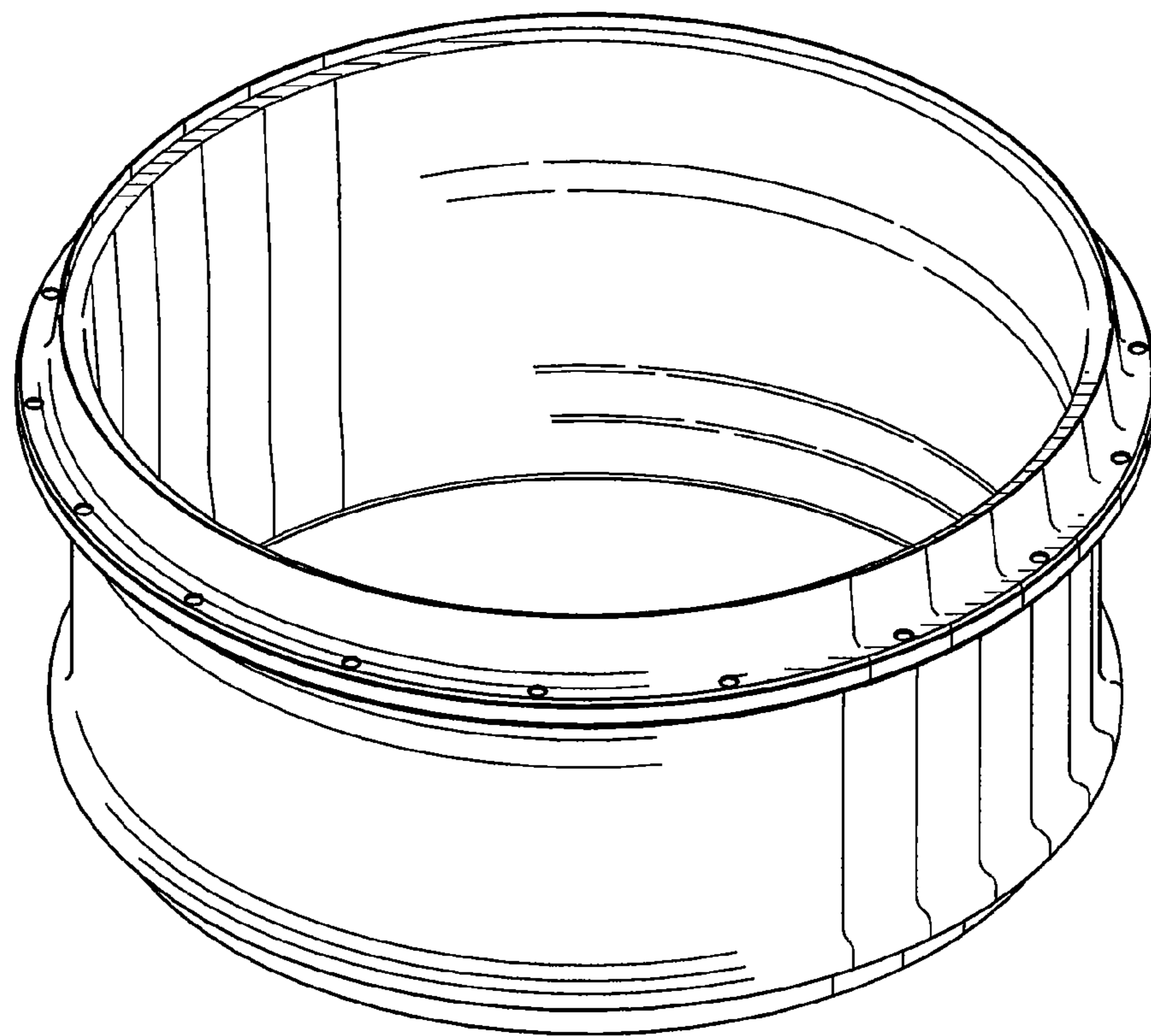


Fig. 1

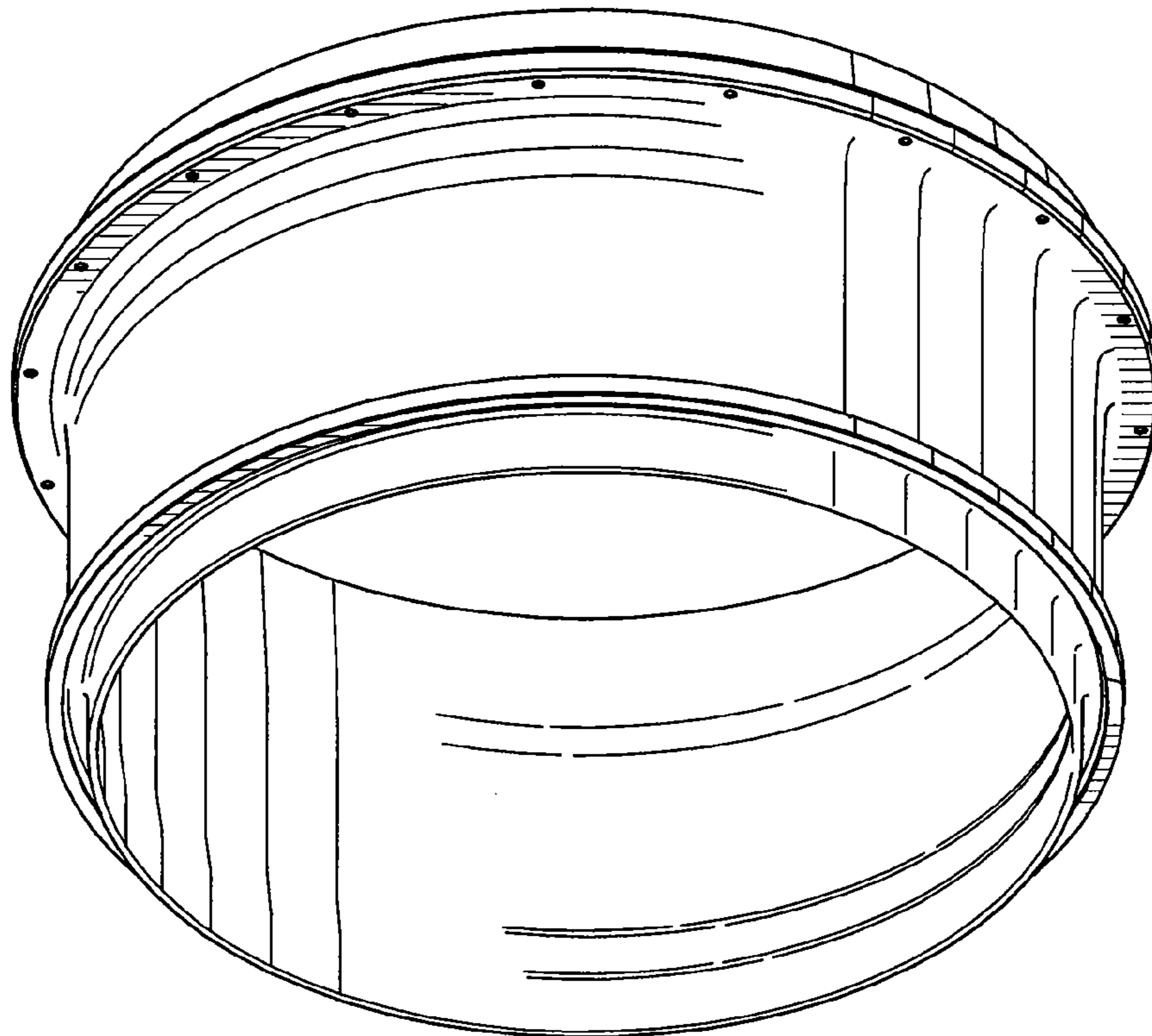


Fig. 2

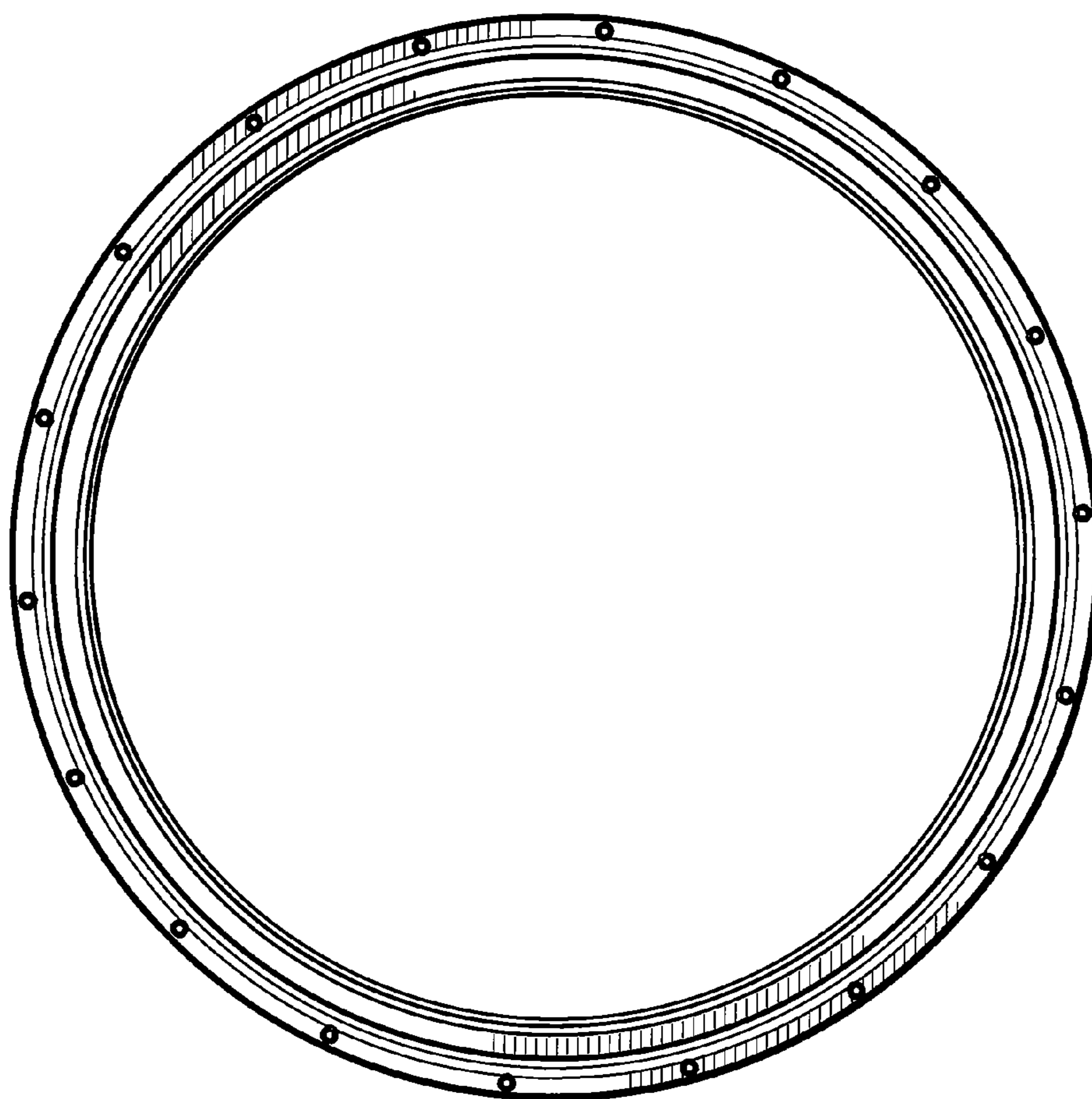


Fig. 3

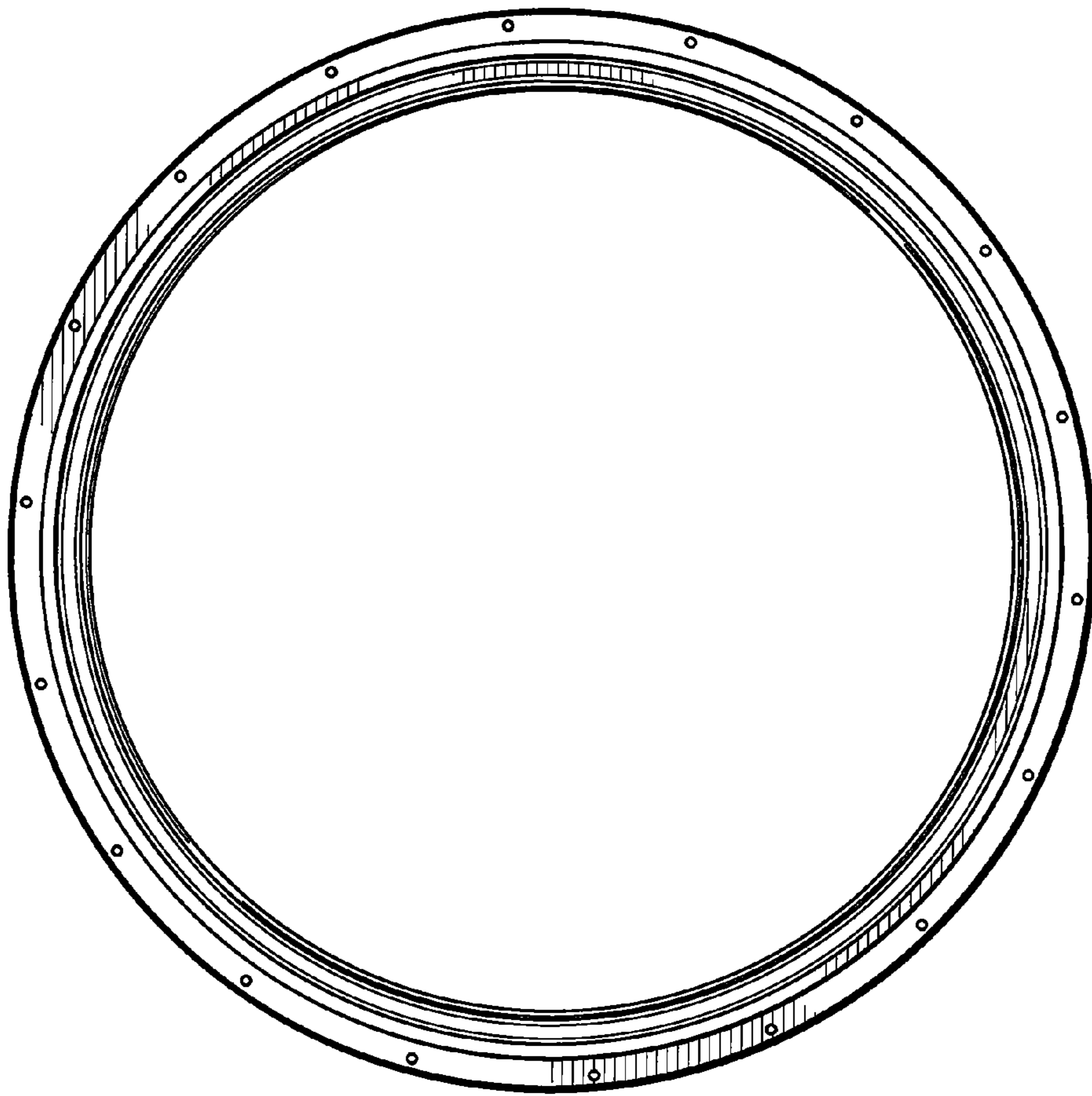


Fig. 4

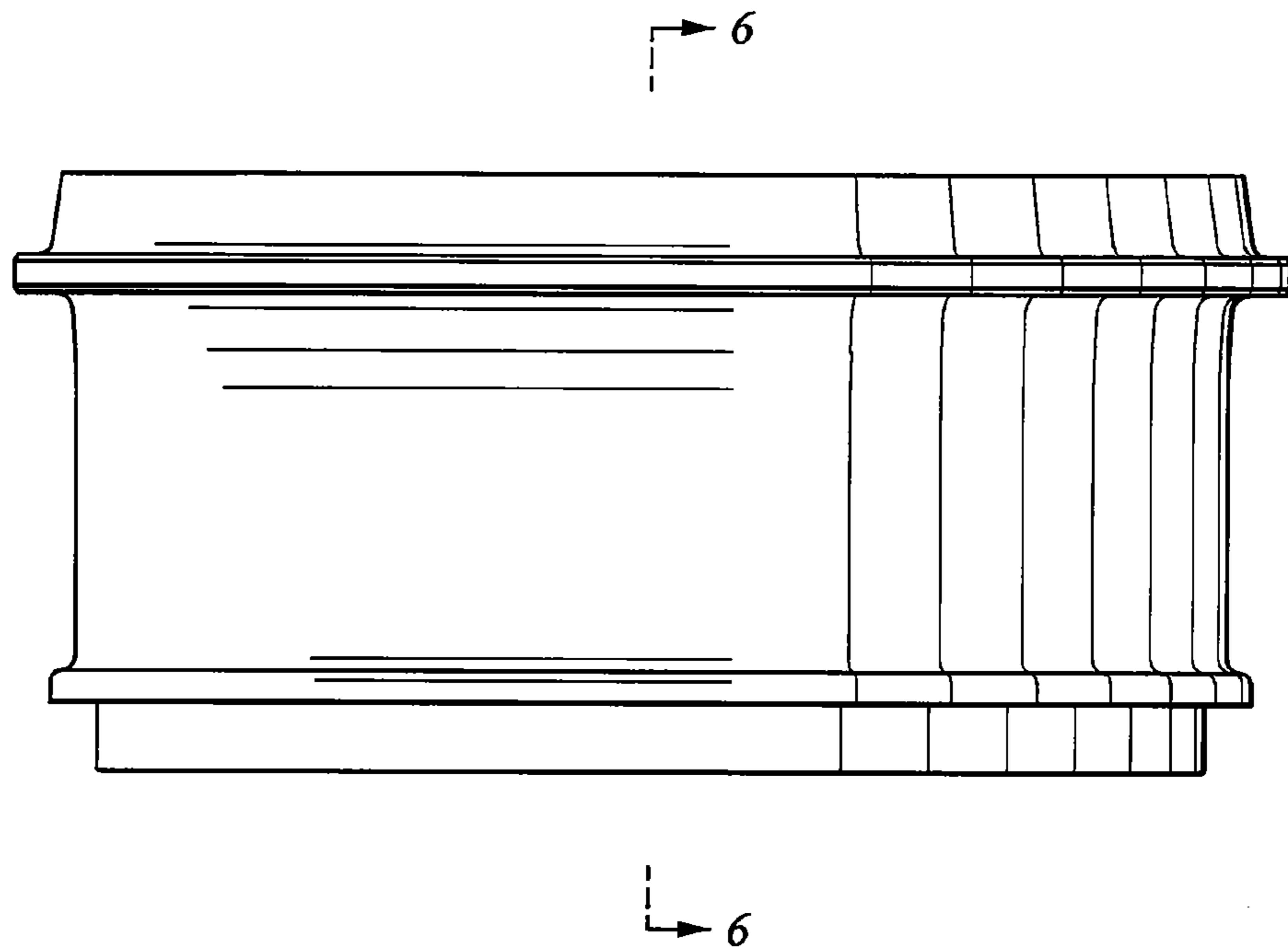


Fig. 5

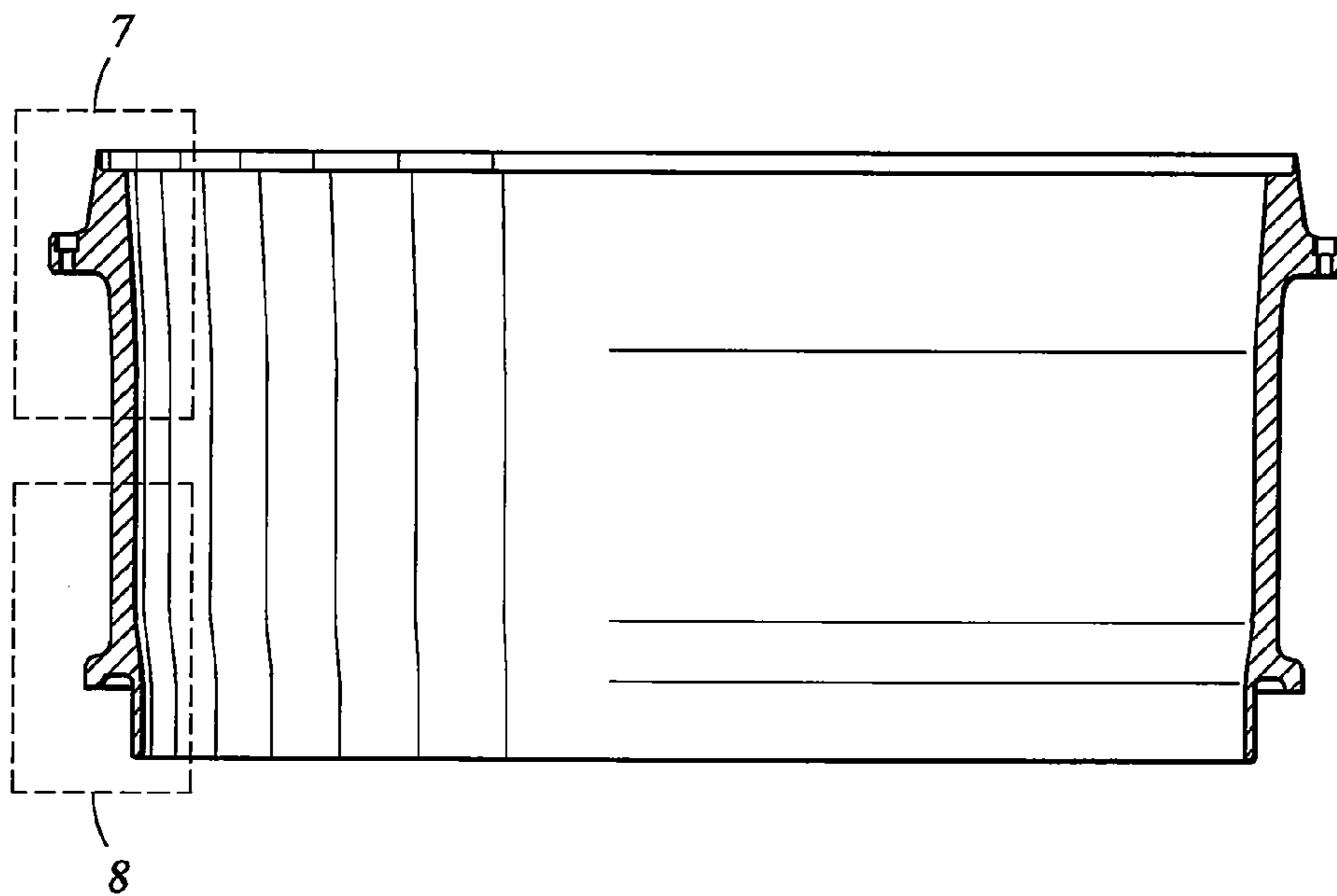


Fig. 6

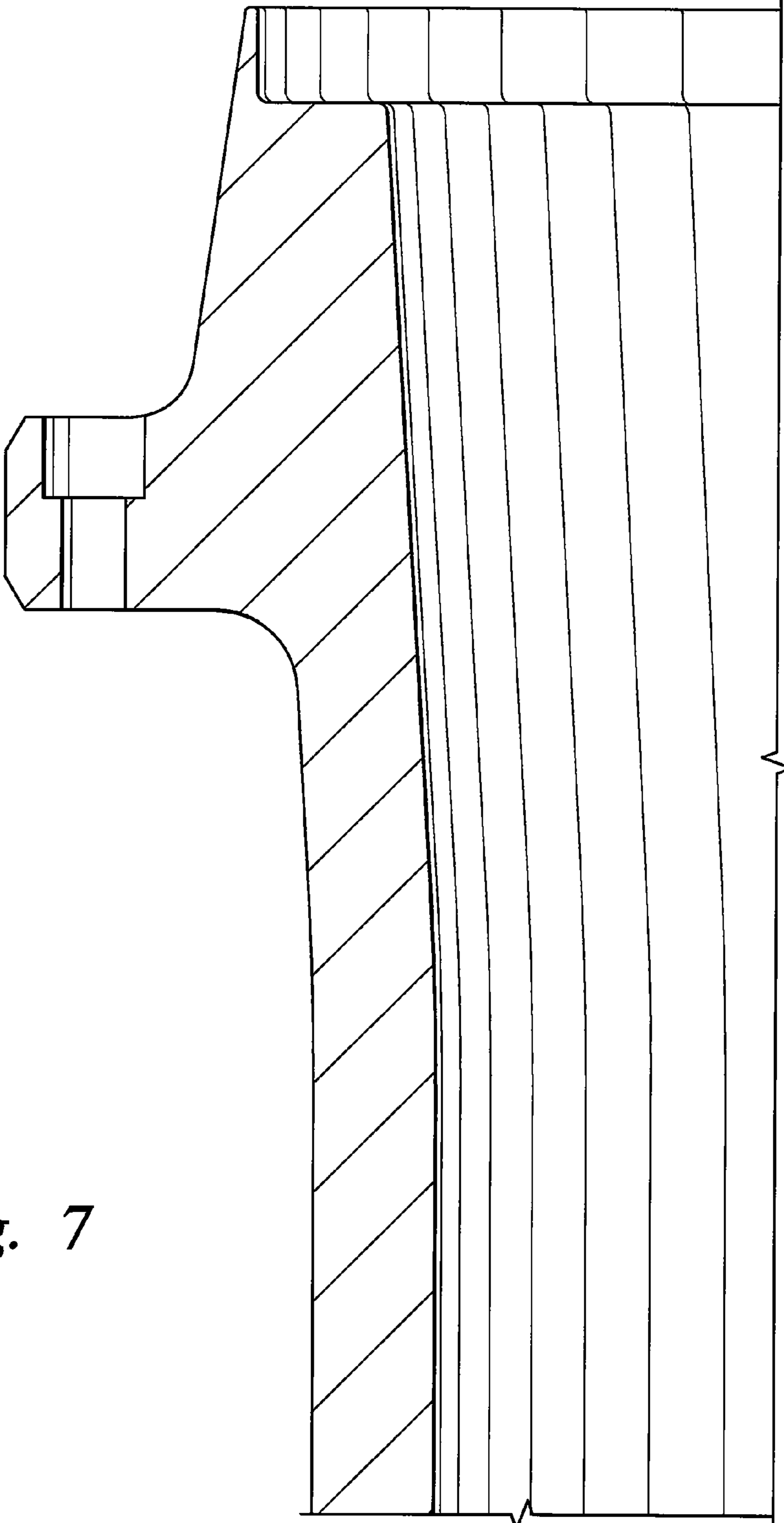


Fig. 7

Fig. 8

