

US00D665069S

(12) **United States Design Patent**  
**Browder**

(10) **Patent No.:** **US D665,069 S**

(45) **Date of Patent:** **\*\* Aug. 7, 2012**

(54) **COVER FOR LIGHT AND/OR FRAGRANCE  
EMITTER**

(75) Inventor: **John H. Browder**, Argyle, TX (US)

(73) Assignee: **IDC Enchanted Lighting Company,  
LLC**, Roanoke, TX (US)

(\*\*) Term: **14 Years**

(21) Appl. No.: **29/414,882**

(22) Filed: **Mar. 5, 2012**

(51) **LOC (9) Cl.** ..... **28-99**

(52) **U.S. Cl.** ..... **D23/367**

(58) **Field of Classification Search** ..... D23/355-369;  
D28/5, 6; 261/DIG. 17, DIG. 42, DIG. 65,  
261/DIG. 88, DIG. 89; 392/386, 390, 394,  
392/395; 239/34, 44, 53, 55, 56, 326; D26/14,  
D26/17, 98, 9, 22, 24; D11/131.1; D7/509,  
D7/522, 524, 537

See application file for complete search history.

(56) **References Cited**

**U.S. PATENT DOCUMENTS**

D112,985 S \* 1/1939 Burnham ..... D11/160  
D136,532 S \* 10/1943 Falardo ..... D11/161  
D312,058 S \* 11/1990 Vermillion ..... D11/128

D317,341 S \* 6/1991 Cardillo ..... D21/626  
D353,634 S \* 12/1994 Walsh ..... D21/626  
D404,093 S \* 1/1999 Woods ..... D21/626  
D405,707 S \* 2/1999 Smyth et al. .... D10/106.4  
D417,707 S \* 12/1999 Gilford ..... D21/626  
D442,651 S \* 5/2001 Johnson ..... D21/626  
D480,770 S \* 10/2003 Collins et al. .... D21/626  
D518,120 S \* 3/2006 James ..... D21/626  
D529,654 S \* 10/2006 Norris et al. .... D26/67  
D533,109 S \* 12/2006 Brooks ..... D11/160  
D652,459 S \* 1/2012 Adinolfi ..... D21/626

\* cited by examiner

*Primary Examiner* — Sandra Snapp

(74) *Attorney, Agent, or Firm* — Brian Harris

(57) **CLAIM**

The ornamental design for a cover for light and/or fragrance emitter, as shown and described.

**DESCRIPTION**

FIG. 1 is a perspective view of a cover for light and/or fragrance emitter showing my new design;  
FIG. 2 is a front view thereof;  
FIG. 3 is a back view thereof;  
FIG. 4 is a right side view thereof;  
FIG. 5 is a left side view thereof;  
FIG. 6 is a top view thereof; and,  
FIG. 7 is a bottom view thereof.

The broken lines form no part of the claimed design.

**1 Claim, 7 Drawing Sheets**

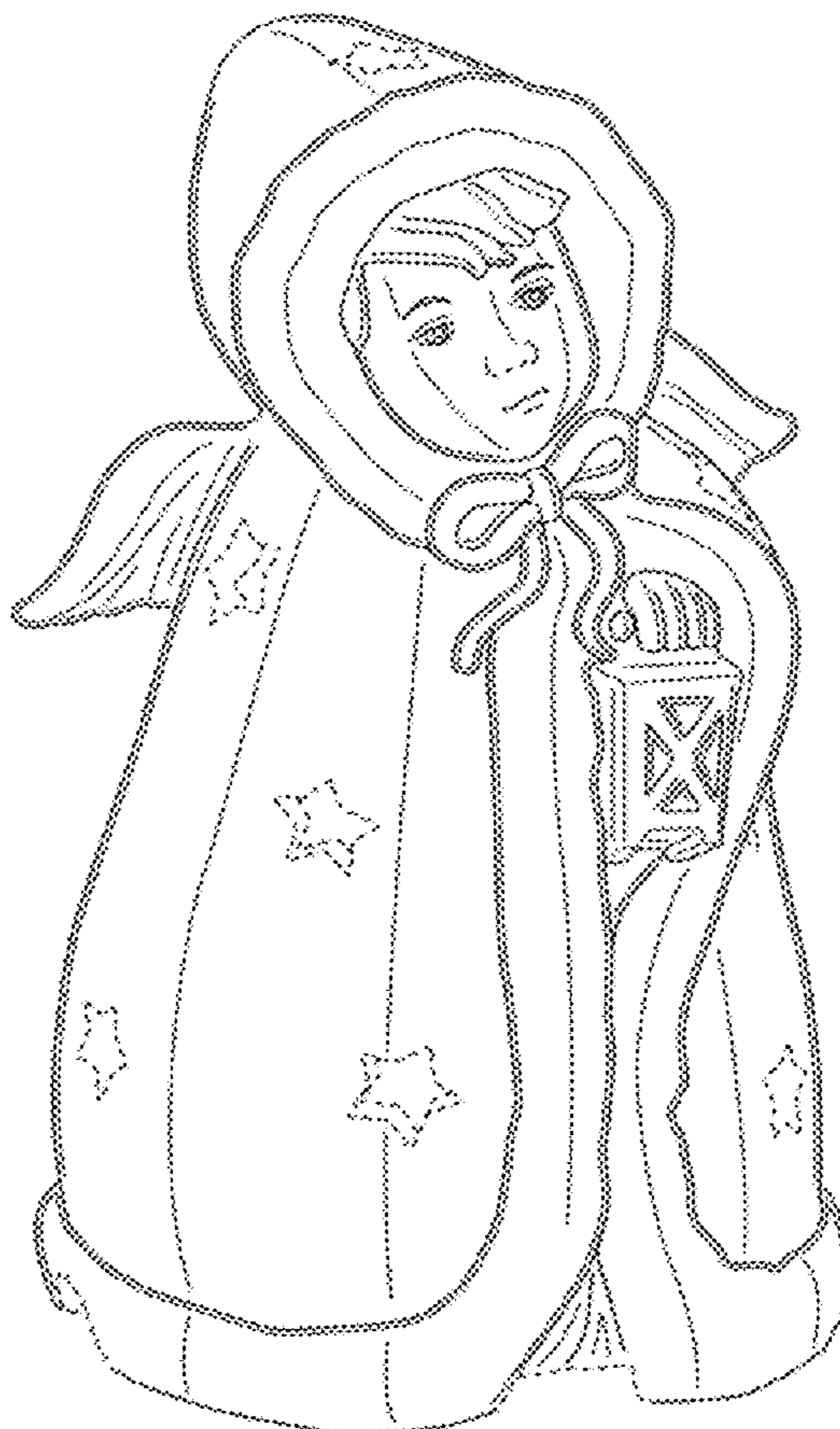




FIG. 1

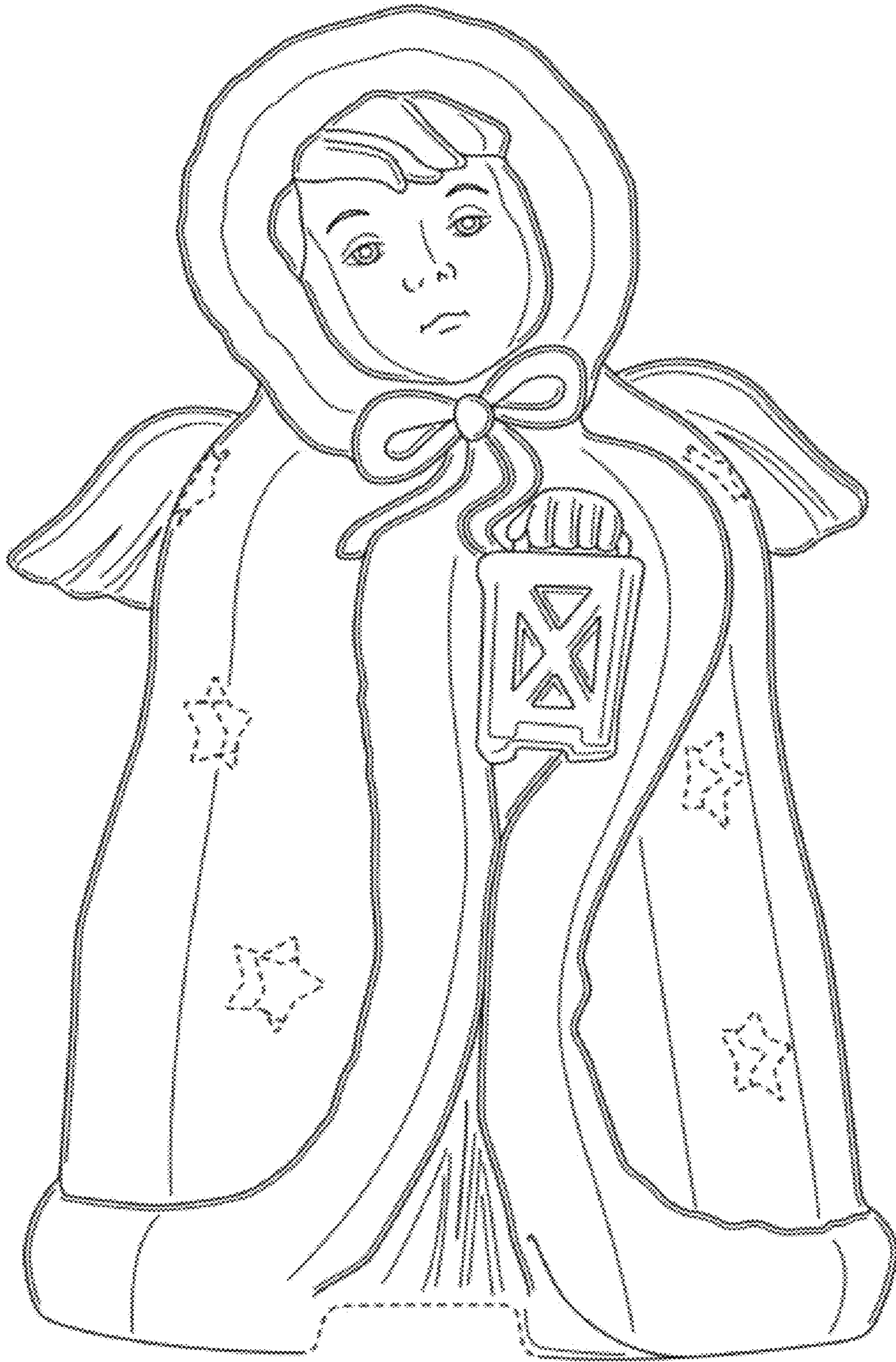


FIG. 2



FIG. 3

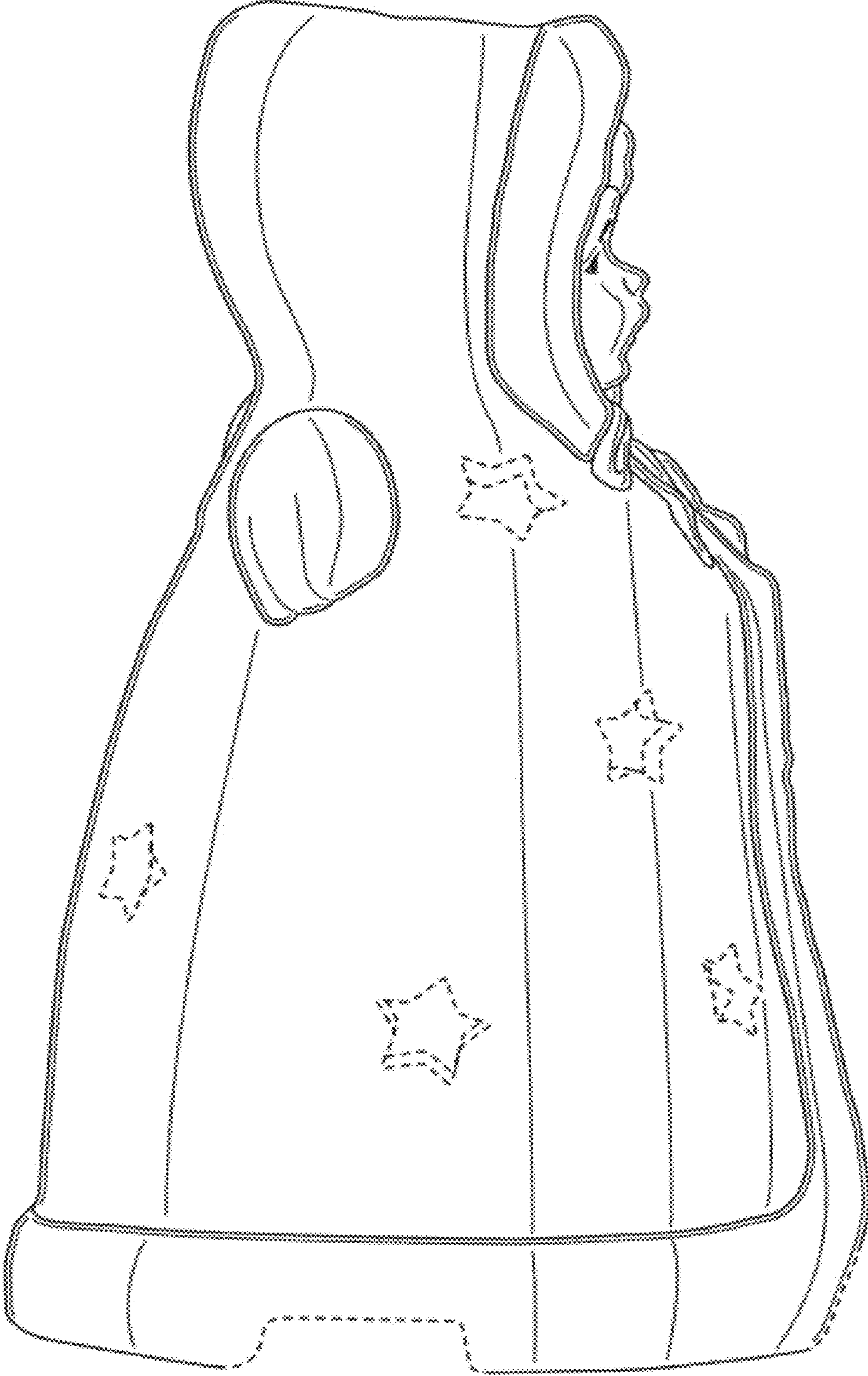


FIG. 4

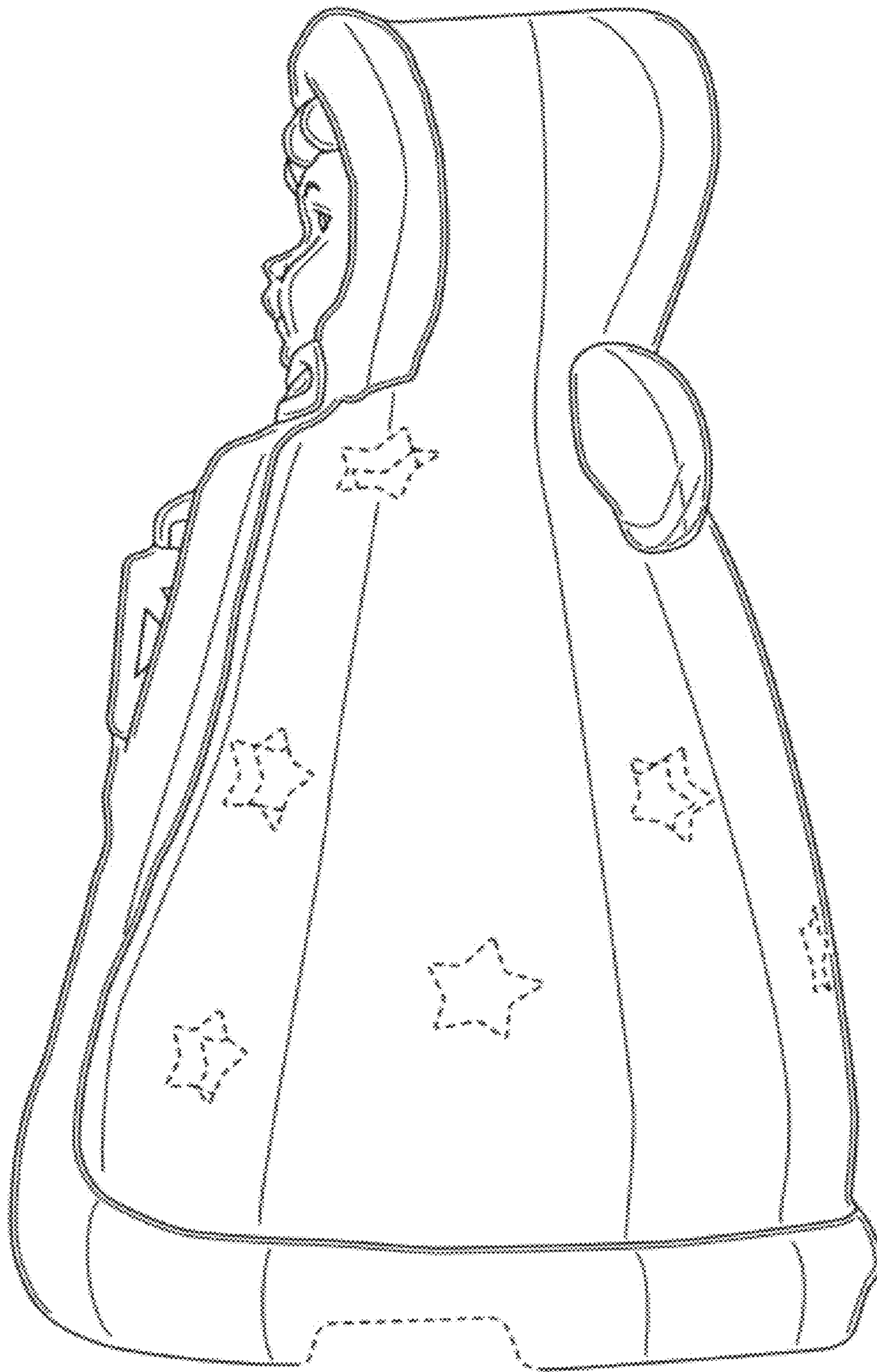


FIG. 5

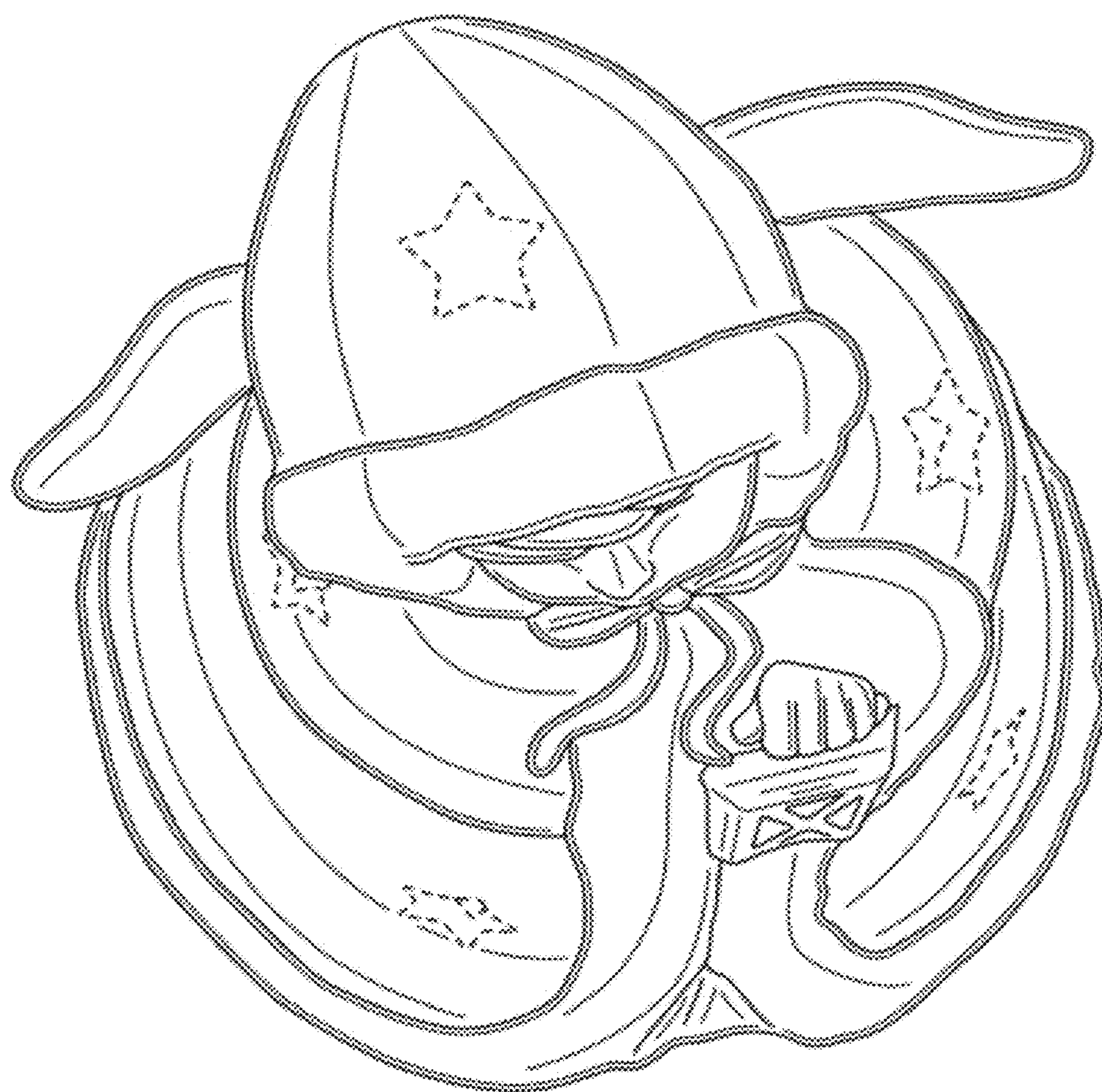


FIG. 6

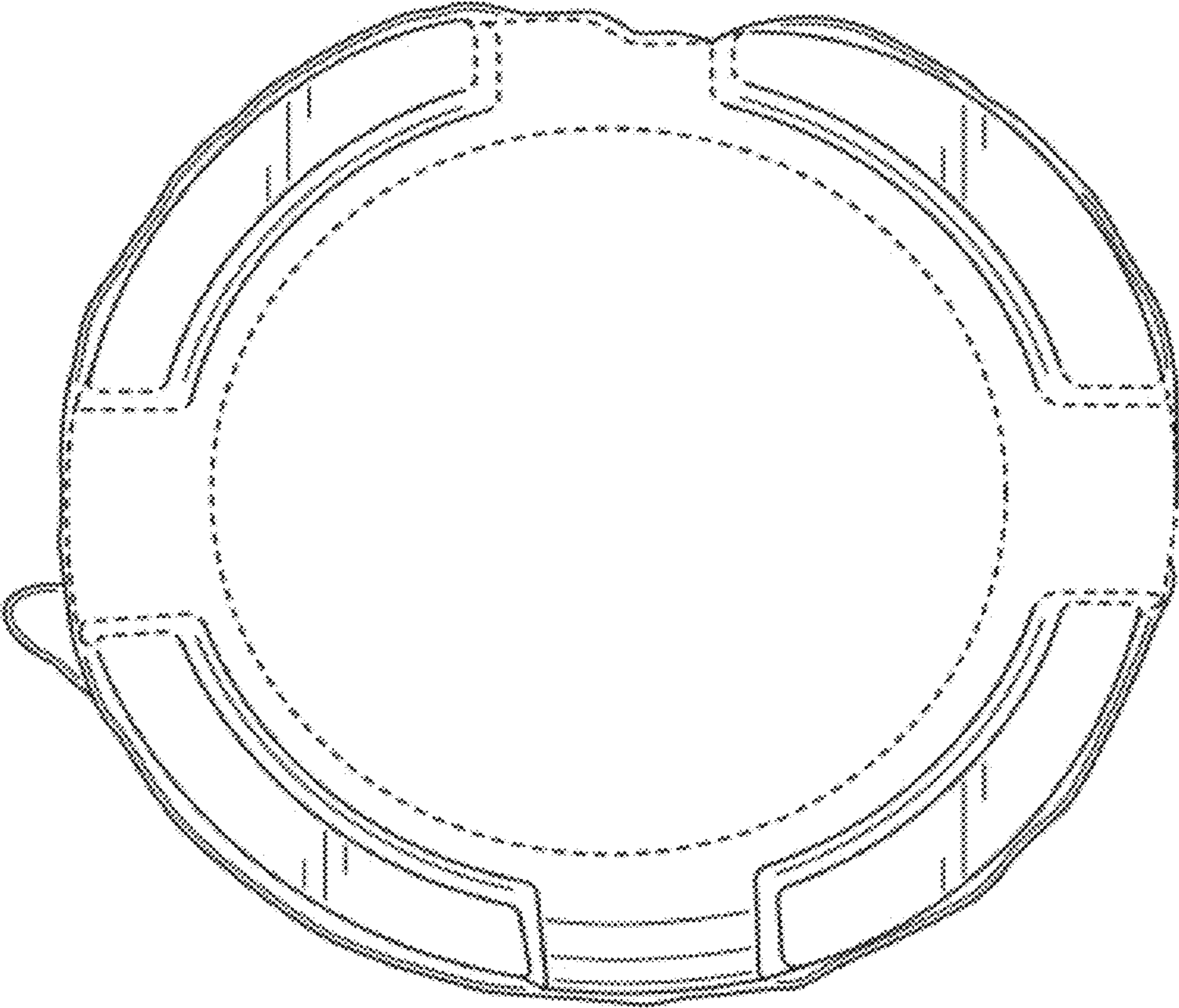


FIG. 7