

US00D665067S

(12) **United States Design Patent**
Browder

(10) **Patent No.:** **US D665,067 S**

(45) **Date of Patent:** **** Aug. 7, 2012**

(54) **FRAGRANCE DISK**

(75) Inventor: **John Browder**, Argyle, TX (US)

(73) Assignee: **IDC Enhanced Lighting Company, LLC**, Roanoke, TX (US)

(**) Term: **14 Years**

(21) Appl. No.: **29/412,686**

(22) Filed: **Feb. 7, 2012**

Related U.S. Application Data

(62) Division of application No. 29/405,474, filed on Nov. 2, 2011, now Pat. No. Des. 656,599.

(51) **LOC (9) Cl.** **28-99**

(52) **U.S. Cl.** **D23/366**

(58) **Field of Classification Search** D23/355-369;
D28/5, 6; 261/DIG. 17, DIG. 42, DIG. 65,
261/DIG. 88, DIG. 89; 392/386, 390, 391,
392/392, 393, 394, 395; 239/34, 35, 44-47,
239/50, 53, 56, 60, 145, 326

See application file for complete search history.

(56) **References Cited**

U.S. PATENT DOCUMENTS

| | | | | | | |
|-----------|---|---|---------|----------------|-------|---------|
| D289,919 | S | * | 5/1987 | O'Neil, Jr. | | D23/366 |
| D291,242 | S | * | 8/1987 | Harden et al. | | D23/386 |
| 4,944,898 | A | * | 7/1990 | Glaser | | 261/84 |
| D315,202 | S | * | 3/1991 | Kunze | | D23/366 |
| D354,344 | S | * | 1/1995 | Fritz et al. | | D23/366 |
| D512,496 | S | * | 12/2005 | Harbutt et al. | | D23/366 |
| D513,433 | S | * | 1/2006 | Lemaire | | D23/366 |
| D514,212 | S | * | 1/2006 | Harbutt et al. | | D23/366 |

| | | | | | | |
|----------|---|---|---------|-------------------------|-------|---------|
| D514,213 | S | * | 1/2006 | Harbutt et al. | | D23/366 |
| D520,130 | S | * | 5/2006 | Miro | | D23/368 |
| D525,352 | S | * | 7/2006 | Lemaire | | D23/366 |
| D532,891 | S | * | 11/2006 | Buthier et al. | | D23/366 |
| D536,082 | S | * | 1/2007 | Pugh | | D23/366 |
| D540,454 | S | * | 4/2007 | Ruiz Ballesteros et al. | .. | D23/366 |
| D550,829 | S | * | 9/2007 | Buthier et al. | | D23/367 |
| D582,535 | S | * | 12/2008 | Nickel et al. | | D23/366 |
| D585,129 | S | * | 1/2009 | Huang | | D23/366 |
| D596,731 | S | * | 7/2009 | Garcia Fabrega et al. | ... | D23/366 |
| D599,898 | S | * | 9/2009 | Nickel et al. | | D23/366 |
| D611,589 | S | * | 3/2010 | Ko et al. | | D23/366 |
| D612,039 | S | * | 3/2010 | Ko et al. | | D23/366 |
| D614,153 | S | * | 4/2010 | Fondurulia et al. | | D13/182 |
| D620,572 | S | * | 7/2010 | Moreno et al. | | D23/366 |
| D630,311 | S | * | 1/2011 | Chiou | | D23/366 |
| D640,358 | S | * | 6/2011 | Irvin | | D23/366 |

* cited by examiner

Primary Examiner — Sandra Snapp

(74) *Attorney, Agent, or Firm* — Brian Harris

(57) **CLAIM**

The ornamental design for a fragrance disk, as shown and described.

DESCRIPTION

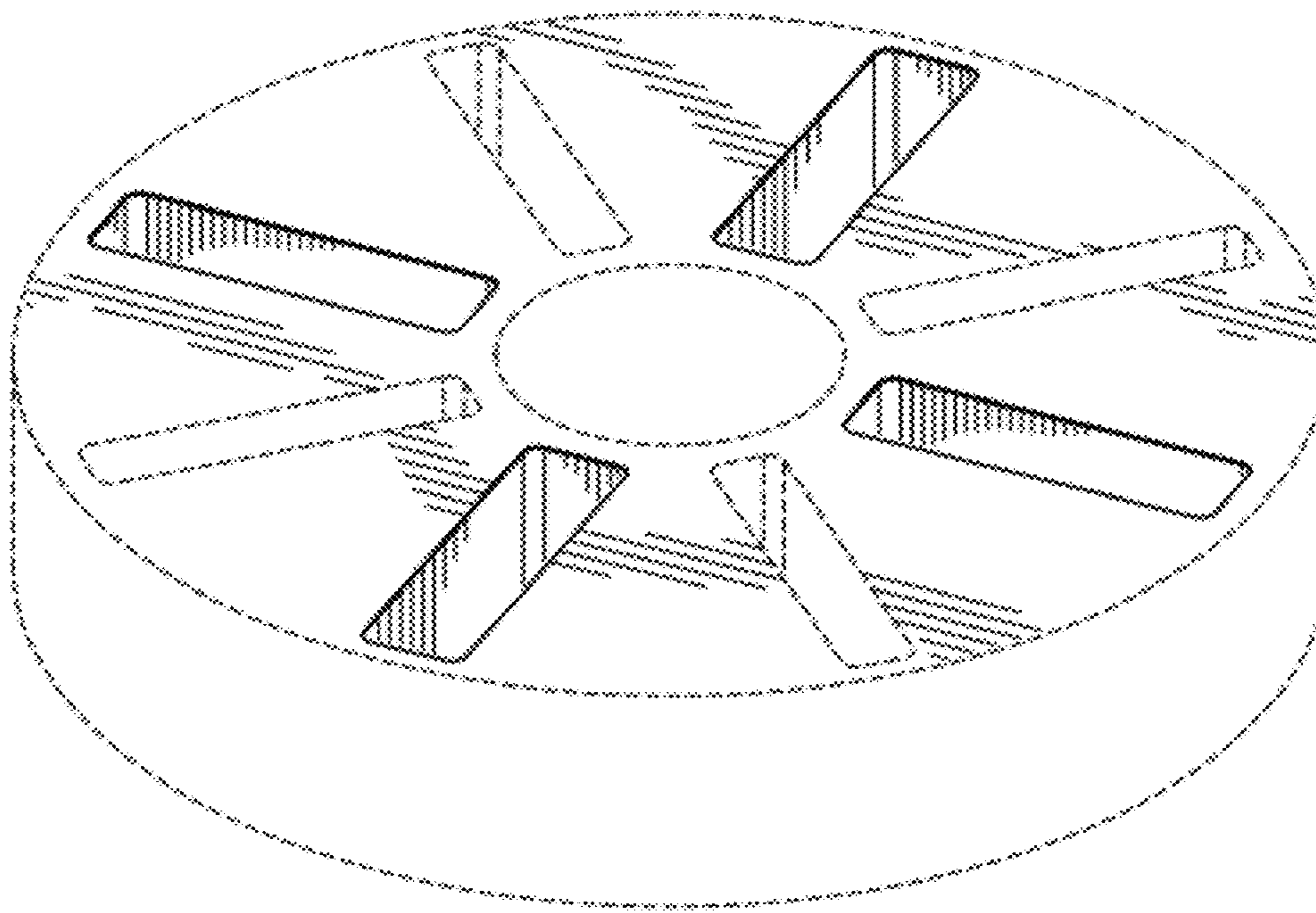
FIG. 1 is a perspective view of a fragrance disk showing my new design;

FIG. 2 is a front side view thereof, the back side, left side, and right side views being identical thereto; and,

FIG. 3 is a top view thereof, the bottom view being identical thereto.

The broken lines represent unclaimed boundaries of the design.

1 Claim, 2 Drawing Sheets



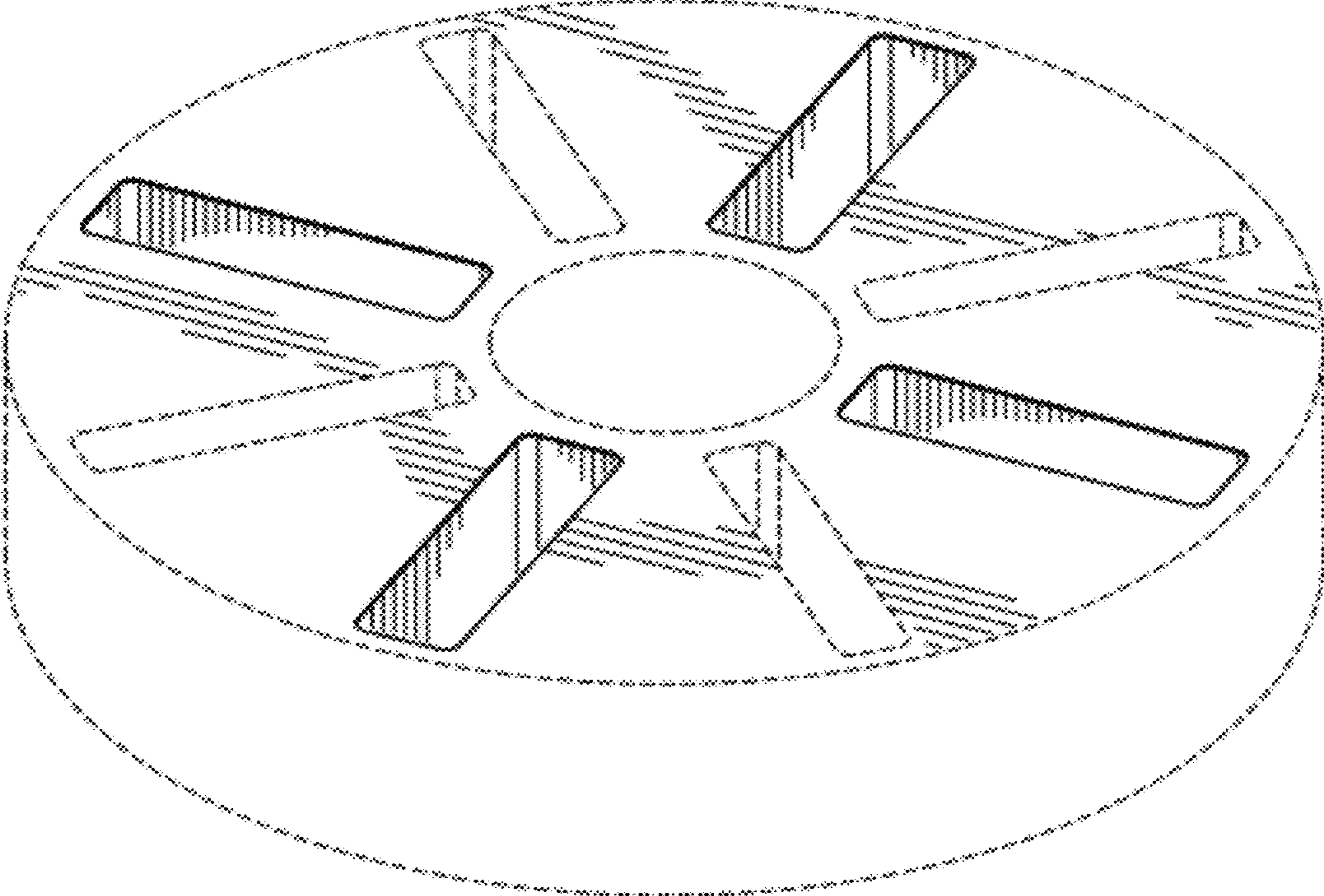


FIG. 1



FIG. 2

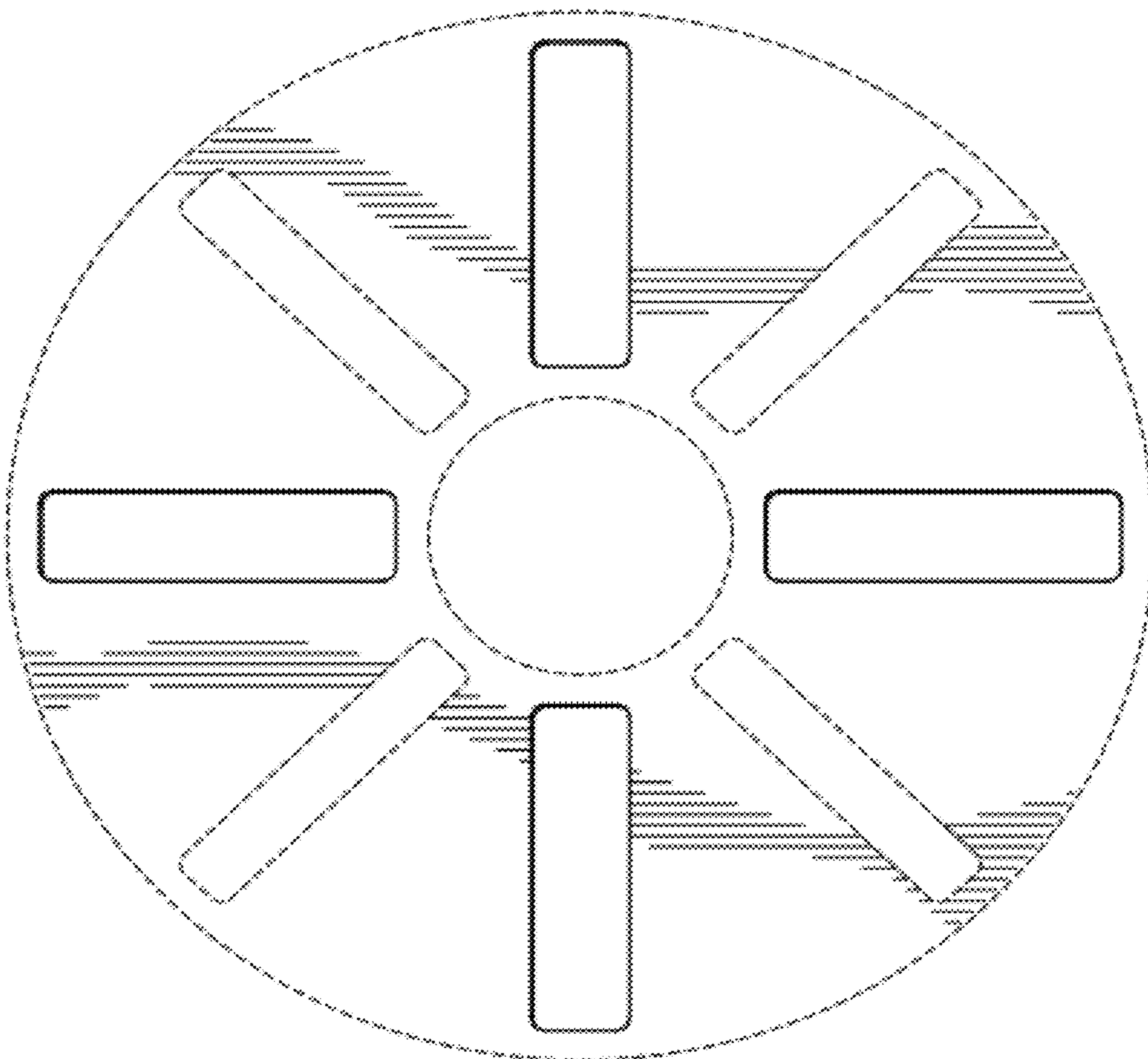


FIG. 3