

US00D665066S

(12) **United States Design Patent**
Browder

(10) **Patent No.:** **US D665,066 S**

(45) **Date of Patent:** **** Aug. 7, 2012**

(54) **PORTION OF COVER FOR LIGHT AND/OR FRAGRANCE EMITTER**

(75) Inventor: **John Browder**, Argyle, TX (US)

(73) Assignee: **IDC Enchanted Lighting Company, LLC**, Roanoke, TX (US)

(**) Term: **14 Years**

(21) Appl. No.: **29/412,297**

(22) Filed: **Feb. 1, 2012**

(51) **LOC (9) Cl.** **28-99**

(52) **U.S. Cl.** **D23/366; D26/9**

(58) **Field of Classification Search** D23/355-369;
D28/5, 6; 261/DIG. 17, DIG. 42, DIG. 65,
261/DIG. 88, DIG. 89; 392/386, 390, 394,
392/395; 239/34, 44, 53, 55, 56, 326; D26/14,
D26/17, 98, 9, 22, 24; D11/131.1; D7/509,
D7/522, 524, 537

See application file for complete search history.

(56) **References Cited**

U.S. PATENT DOCUMENTS

D242,461 S *	11/1976	Seymour	D23/366
D288,842 S *	3/1987	Kwiatkowski	D23/366
D392,032 S *	3/1998	Zaragoza et al.	D23/369
D405,357 S *	2/1999	Sell	D9/658
D447,256 S *	8/2001	Ratia	D26/9

D454,190 S *	3/2002	Trocola	D23/366
D535,376 S *	1/2007	Michaels et al.	D23/366
D611,587 S *	3/2010	Dineen	D23/366
D613,844 S *	4/2010	Jorgensen	D23/366
D631,535 S *	1/2011	Togawa et al.	D23/366
D637,275 S *	5/2011	Baraky	D23/366
D647,189 S *	10/2011	Mochizuki et al.	D23/366

* cited by examiner

Primary Examiner — Sandra Snapp

(74) *Attorney, Agent, or Firm* — Brian Harris

(57) **CLAIM**

The ornamental design for a portion of cover for light and/or fragrance emitter, as shown and described.

DESCRIPTION

FIG. 1 is a perspective view of a portion of cover for light and/or fragrance emitter showing my new design;
FIG. 2 is a front side view thereof, the back side, left side, and right side views being identical thereto;
FIG. 3 is a bottom view thereof;
FIG. 4 is a perspective view of a second embodiment of a portion of cover for light and/or fragrance emitter showing my new design;
FIG. 5 is a front side view thereof; and,
FIG. 6 is a bottom view thereof.
The broken lines form no part of the claimed design.

1 Claim, 4 Drawing Sheets

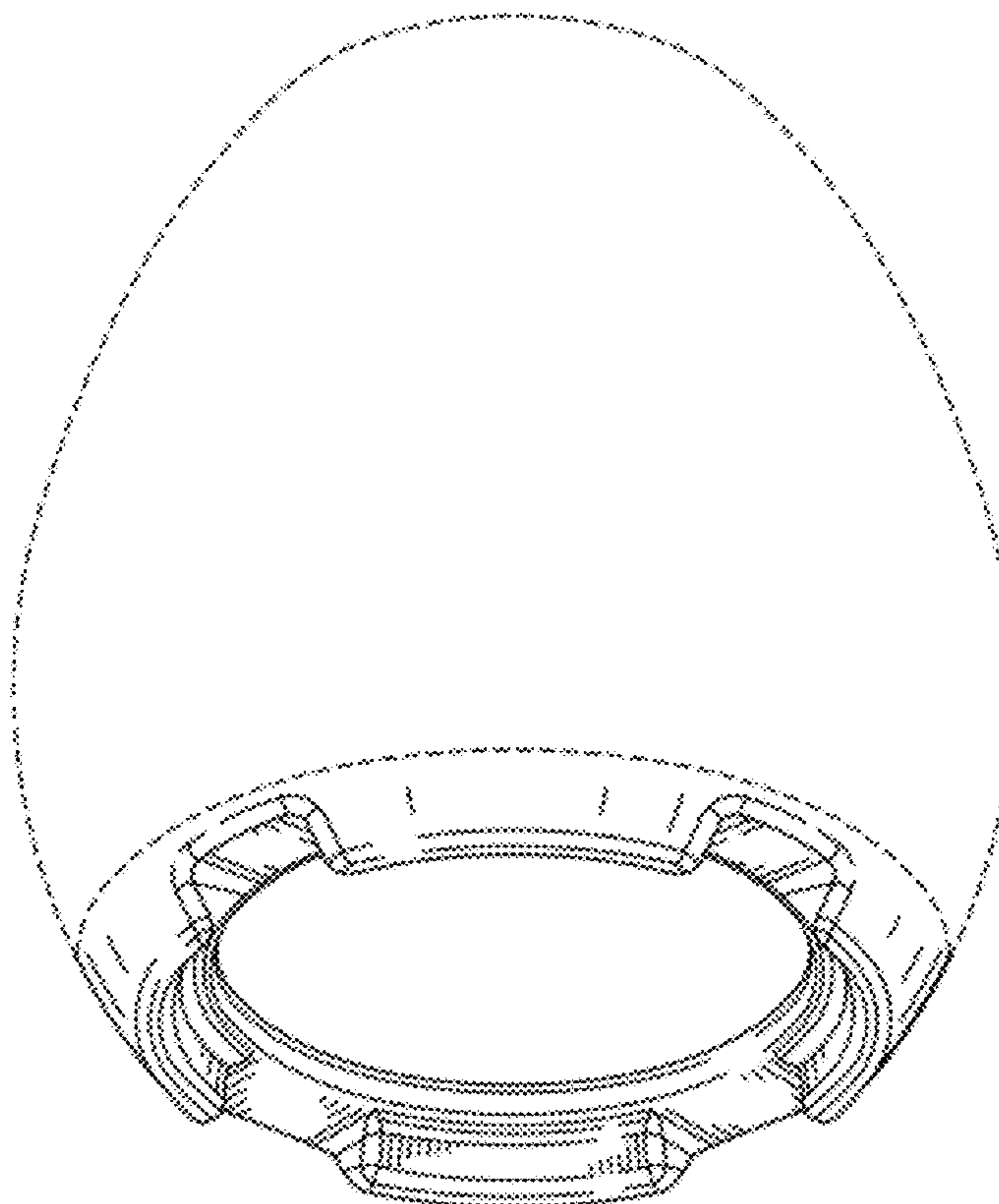


FIG. 1

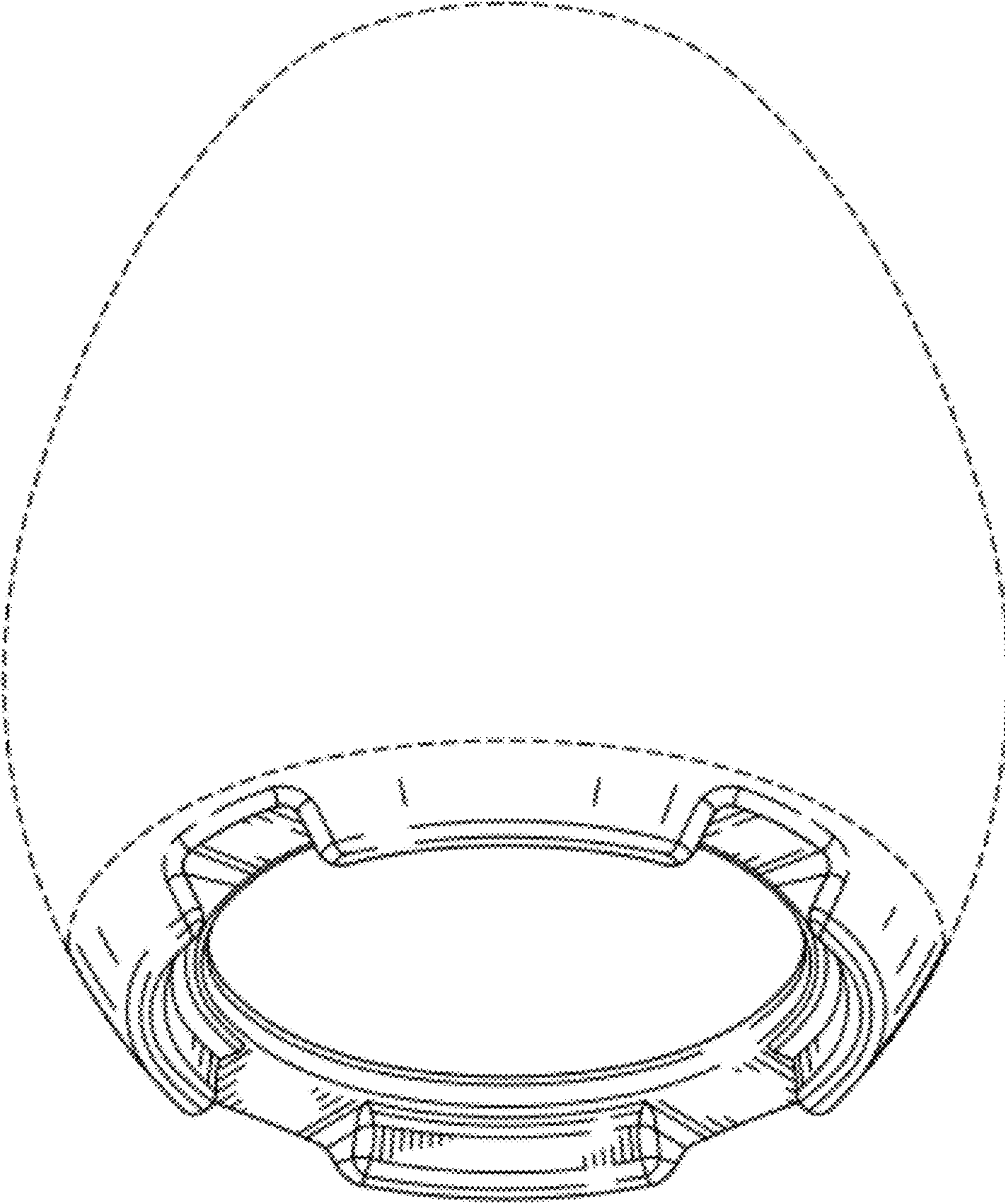


FIG. 2

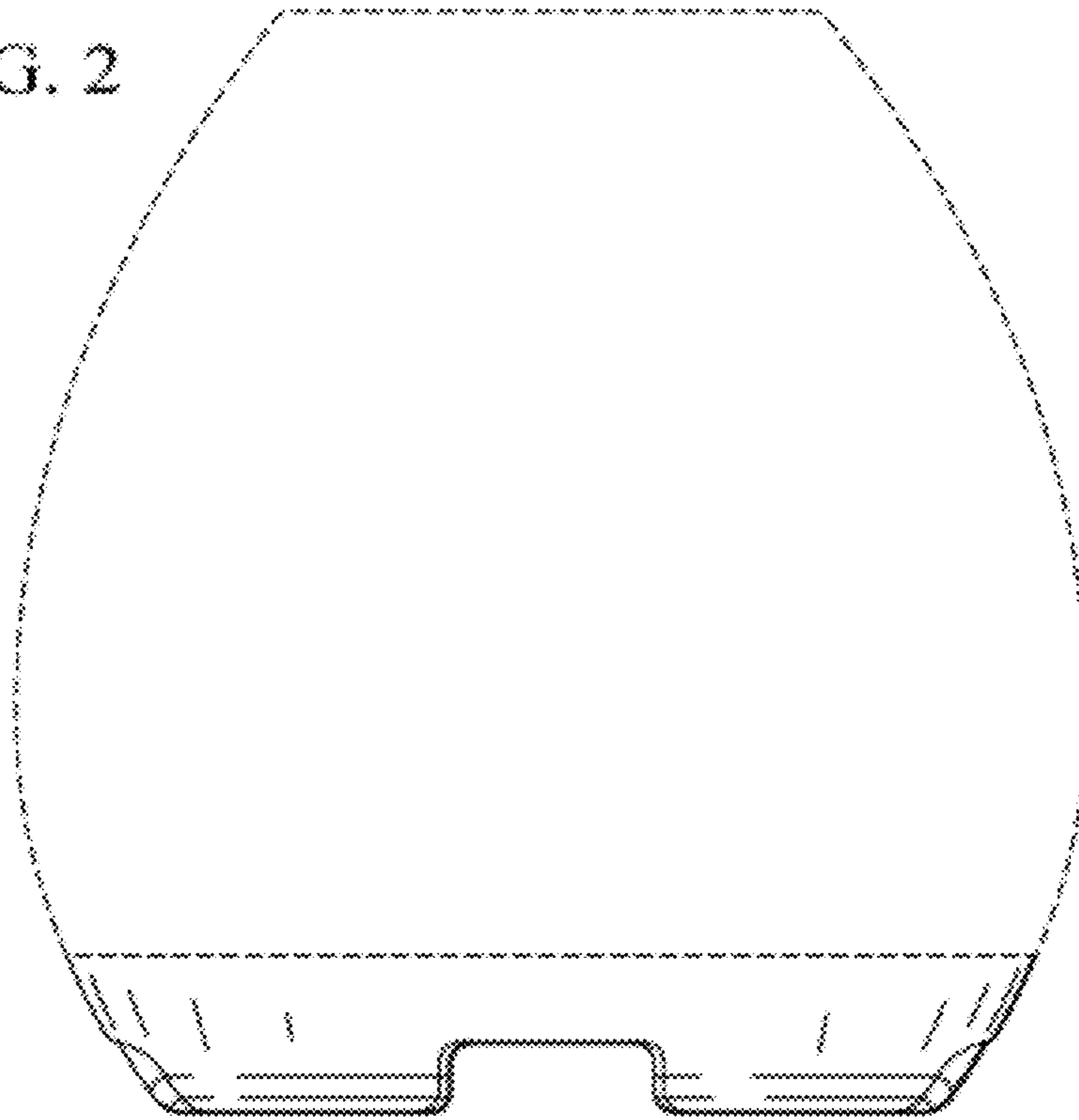


FIG. 3

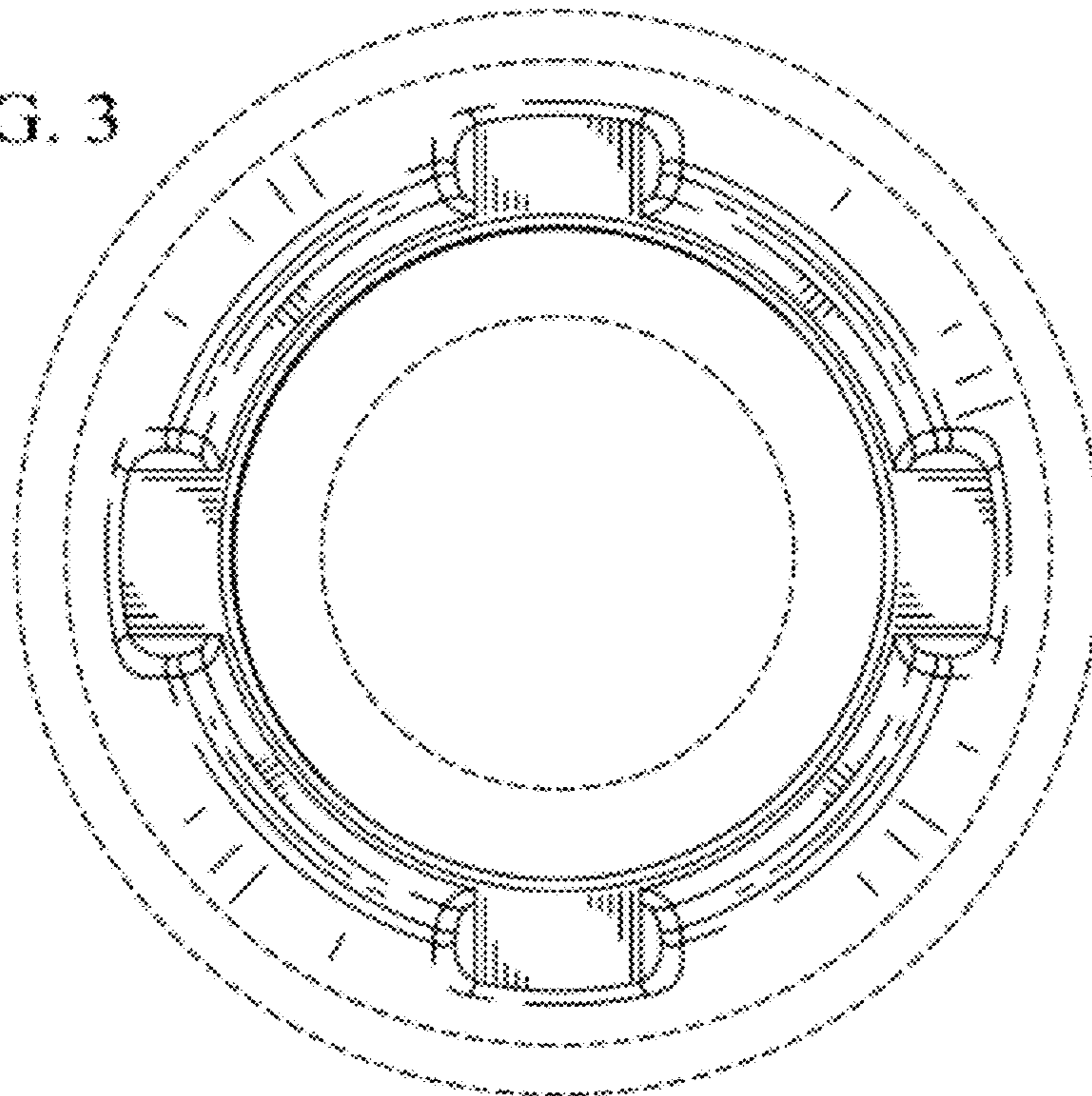


FIG. 4

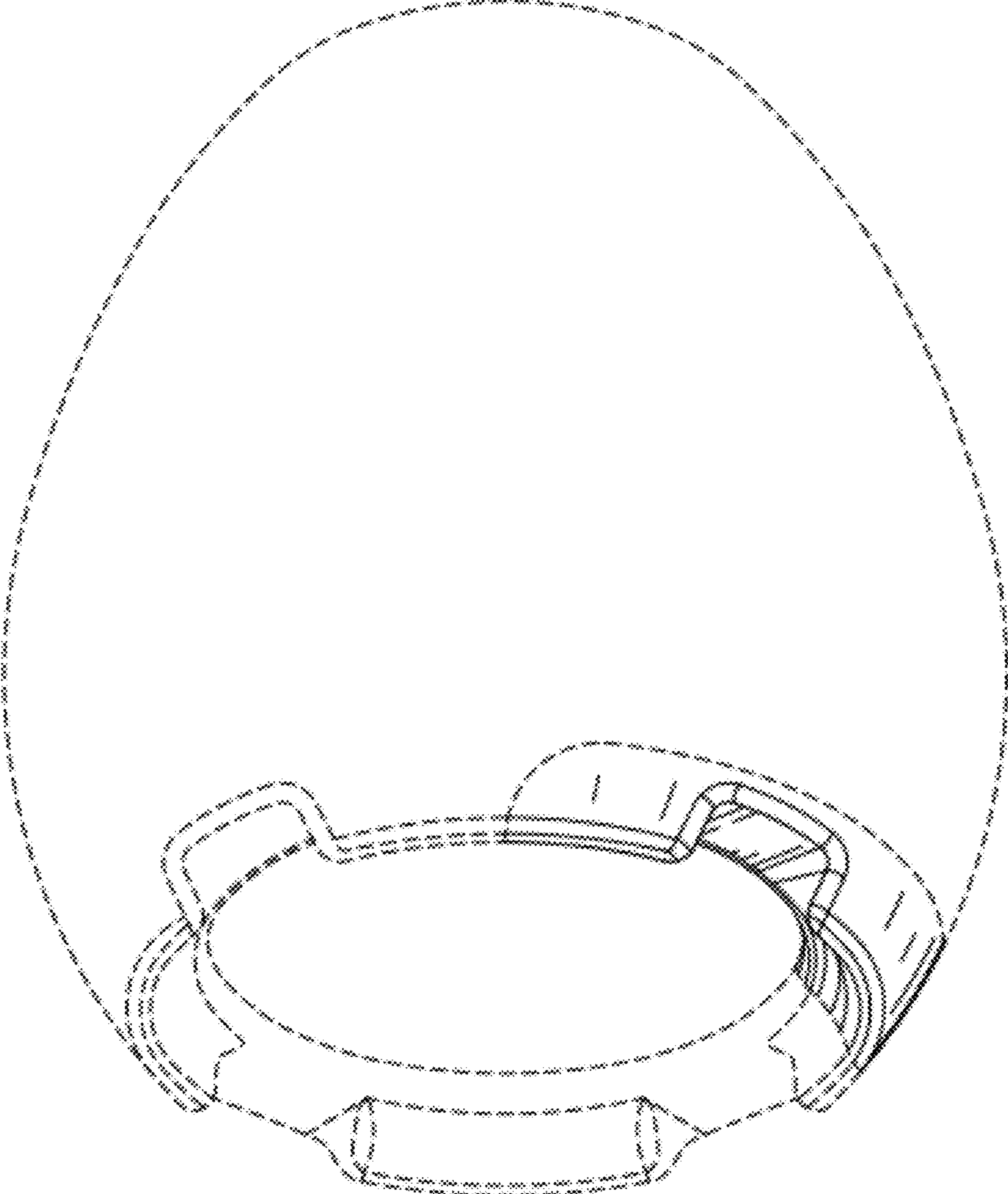


FIG. 5

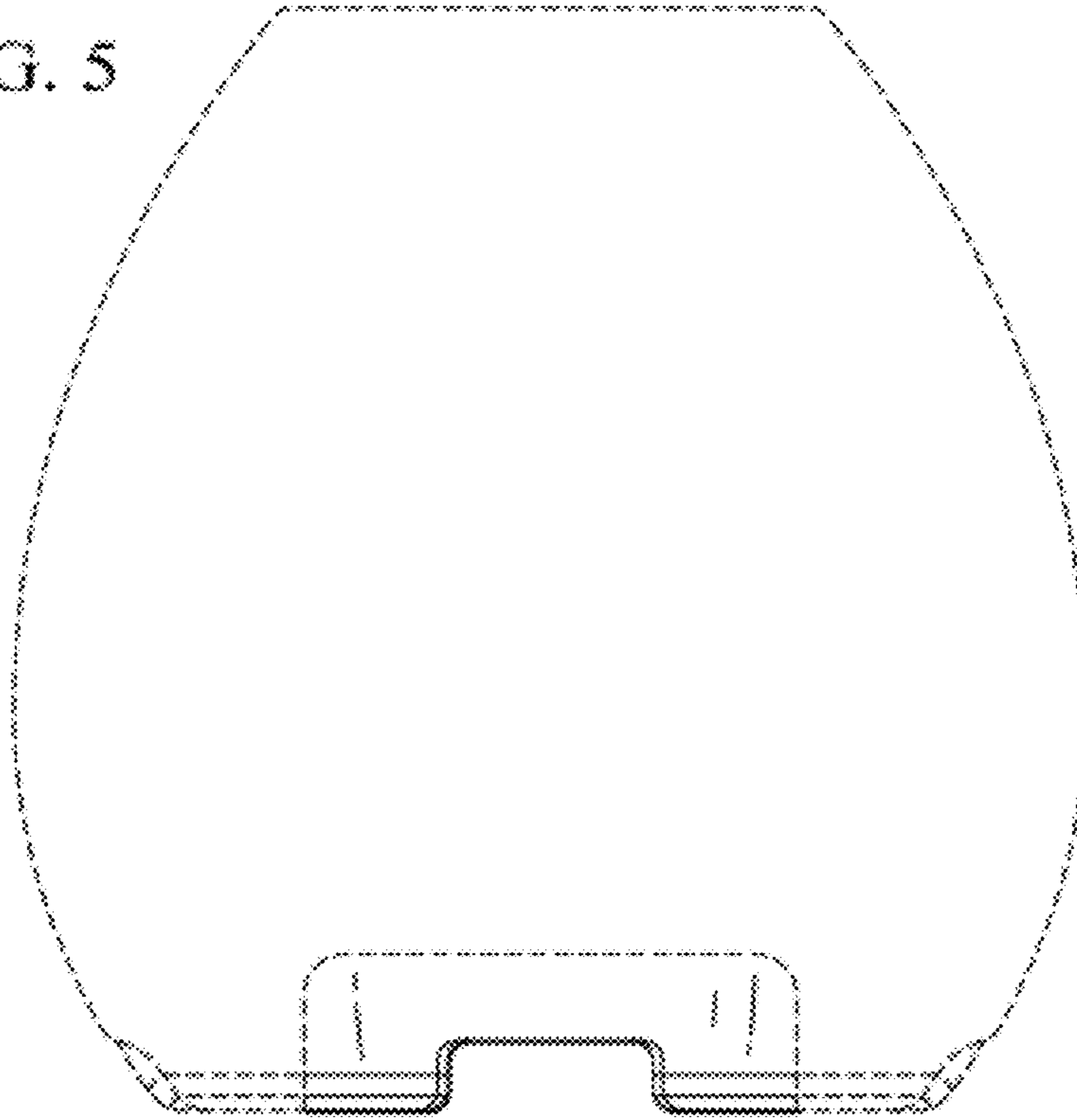


FIG. 6

