

US00D665062S

(12) **United States Design Patent**
Ball

(10) **Patent No.:** **US D665,062 S**

(45) **Date of Patent:** **** *Aug. 7, 2012**

- (54) **BATHTUB OVERFLOW PIPE**
- (75) Inventor: **William T. Ball**, Colorado Springs, CO (US)
- (73) Assignee: **WCM Industries, Inc.**, Colorado Springs, CO (US)
- (*) Notice: This patent is subject to a terminal disclaimer.
- (**) Term: **14 Years**

1,977,177 A	10/1934	De Flores
2,044,253 A	6/1936	Morris
2,062,145 A	11/1936	Pickop
2,223,365 A	12/1940	Groeniger
2,374,815 A	5/1945	Haas, Jr.
2,444,340 A	6/1948	Donahue
2,832,081 A	4/1958	Young
2,915,903 A	12/1959	Digby et al.
2,993,655 A	7/1961	O'Brien
3,121,879 A	2/1964	Young
3,493,978 A	2/1970	Hindman et al.
3,937,497 A	2/1976	Studer

(Continued)

- (21) Appl. No.: **29/378,602**
- (22) Filed: **Nov. 5, 2010**

FOREIGN PATENT DOCUMENTS

CH 346187 4/1960

(Continued)

Related U.S. Application Data

- (63) Continuation-in-part of application No. 12/057,660, filed on Mar. 28, 2008, which is a continuation-in-part of application No. 10/674,862, filed on Sep. 30, 2003, now abandoned, which is a continuation-in-part of application No. 10/229,533, filed on Aug. 28, 2002, now Pat. No. 6,675,406, which is a continuation of application No. 09/593,724, filed on Jun. 13, 2000, now abandoned.
- (51) **LOC (9) Cl.** **23-01**
- (52) **U.S. Cl.** **D23/263**
- (58) **Field of Classification Search** D23/238, D23/249, 259, 262, 266; 285/179, 179.1; 4/679, 680, 686, 687
See application file for complete search history.

OTHER PUBLICATIONS

Official Action for U.S. Appl. No. 12/057,660, mailed Nov. 3, 2011 9 pages.

(Continued)

Primary Examiner — Eric Goodman
(74) *Attorney, Agent, or Firm* — Sheridan Ross P.C.

(57) **CLAIM**

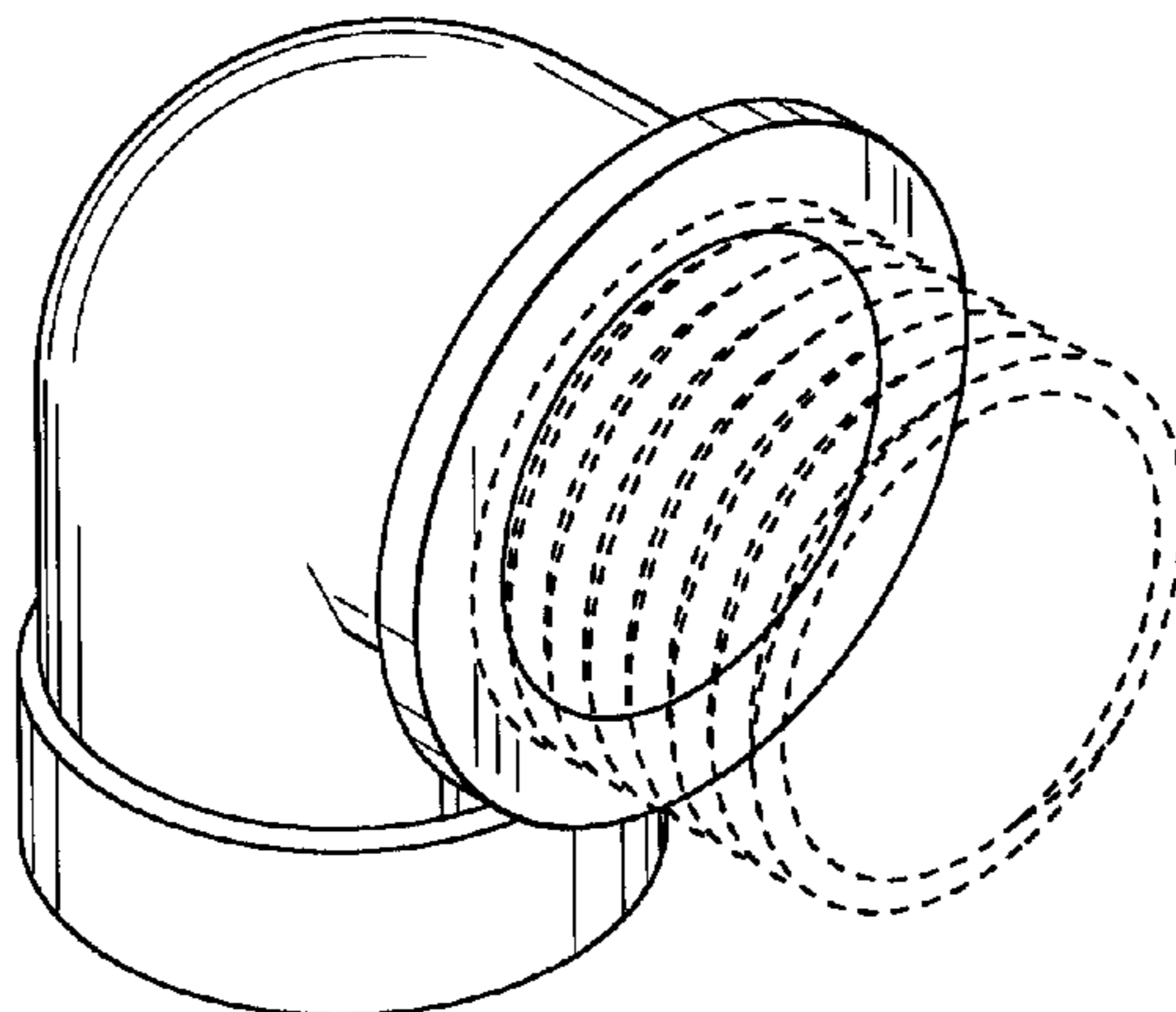
The ornamental design for a bathtub overflow pipe, as shown and described.

DESCRIPTION

FIG. 1 is a perspective view of the bathtub overflow pipe showing the new design; FIG. 2 is a front elevation view thereof; FIG. 3 is a right elevation view thereof, the left elevation view being a mirror image thereof; FIG. 4 is a rear elevation view thereof; FIG. 5 is a top plan view thereof; and, FIG. 6 is a bottom plan view thereof. The broken lines in the figures show environment for illustrative purposes only and forms no part of the claimed design.

1 Claim, 3 Drawing Sheets

- (56) **References Cited**
- U.S. PATENT DOCUMENTS**
- 427,478 A 5/1890 McEvoy
- 843,968 A 2/1907 Sharp, Jr.
- 1,213,466 A 1/1917 Delanoy et al.
- 1,330,909 A 2/1920 Sharp, Jr.
- 1,518,599 A 12/1924 Murray
- 1,788,083 A 1/1931 Church
- 1,925,008 A 8/1933 Schacht



U.S. PATENT DOCUMENTS

4,135,258 A 1/1979 Braga et al.
 4,146,939 A 4/1979 Izzi
 4,233,697 A 11/1980 Cornwall
 4,307,901 A 12/1981 Orberg et al.
 4,352,213 A 10/1982 Watts
 4,359,790 A 11/1982 Chalberg
 4,387,914 A 6/1983 Paulson et al.
 4,413,384 A 11/1983 Lassche
 4,553,625 A 11/1985 Tsuge et al.
 4,683,597 A 8/1987 Taylor et al.
 4,730,855 A 3/1988 Pelletier
 D296,816 S 7/1988 Budzinski et al.
 4,813,745 A 3/1989 Woody
 4,825,477 A 5/1989 Aranda
 4,865,353 A 9/1989 Osborne
 4,890,967 A 1/1990 Rosenbaum
 4,920,582 A 5/1990 Alker
 4,953,235 A 9/1990 Cornwall
 5,025,509 A 6/1991 Holt et al.
 5,257,648 A 11/1993 Oropallo
 5,267,474 A 12/1993 Ten Hoven
 5,273,077 A 12/1993 Oropallo
 5,350,266 A 9/1994 Espey et al.
 5,351,996 A 10/1994 Martin
 5,377,361 A 1/1995 Piskula
 5,417,460 A * 5/1995 Lunder 285/253
 5,507,501 A 4/1996 Palmer
 5,590,916 A 1/1997 Liu
 5,692,248 A 12/1997 Ball
 5,745,931 A 5/1998 Ball
 5,786,054 A 7/1998 Platusich et al.
 5,799,986 A 9/1998 Corbett et al.
 5,815,895 A 10/1998 Carlson et al.
 5,890,241 A 4/1999 Ball
 5,957,514 A 9/1999 Brookshire
 5,971,438 A 10/1999 Johnson
 6,058,526 A 5/2000 Parisi et al.
 6,073,278 A 6/2000 Ball
 D428,133 S 7/2000 Chen
 6,085,363 A 7/2000 Huber
 6,088,843 A 7/2000 Francisco
 6,126,233 A 10/2000 Gaetano et al.
 6,145,136 A 11/2000 Parisi et al.
 6,192,531 B1 2/2001 Fritz et al.
 6,193,879 B1 2/2001 Bowman
 6,216,288 B1 4/2001 Bernau
 6,263,518 B1 7/2001 Magtanong
 6,289,532 B1 9/2001 Fritz et al.
 6,295,664 B2 10/2001 Fritz et al.
 6,338,168 B1 1/2002 Valentine
 6,362,734 B1 3/2002 McQuade et al.
 6,448,907 B1 9/2002 Naclerio
 6,484,331 B2 11/2002 Minnick
 37,956 A1 * 1/2003 Ball 4/680
 6,530,722 B1 3/2003 Shaw et al.
 6,546,573 B1 4/2003 Ball
 6,606,753 B2 8/2003 Minnick
 6,618,875 B1 9/2003 Oropallo et al.
 6,637,050 B1 10/2003 Ball
 6,675,406 B2 1/2004 Ball
 6,691,411 B2 2/2004 Ball
 6,696,943 B1 2/2004 Elrod et al.
 6,812,844 B1 11/2004 Burgess
 6,836,911 B2 1/2005 Minnick
 6,953,049 B2 10/2005 Kowalke
 D517,666 S 3/2006 Wilk, Jr. et al.
 D523,123 S 6/2006 Wilk, Jr. et al.
 7,127,752 B2 10/2006 Ball
 7,300,074 B1 11/2007 Paulson
 D586,433 S 2/2009 Price et al.
 D627,863 S 11/2010 Ball
 D636,468 S * 4/2011 Ball D23/262
 8,028,357 B2 * 10/2011 Ball 4/680

2002/0032926 A1 3/2002 Lewis
 2003/0151281 A1 8/2003 Williams
 2004/0068793 A1 4/2004 Ball
 2004/0111797 A1 6/2004 Ball
 2004/0117907 A1 6/2004 Ball
 2006/0085907 A1 * 4/2006 Ball 4/680
 2007/0007763 A1 1/2007 Deaton
 2008/0148477 A1 6/2008 Shafik
 2008/0196161 A1 * 8/2008 Ball 4/680
 2008/0235866 A1 10/2008 Ball
 2009/0261579 A1 10/2009 Spears

FOREIGN PATENT DOCUMENTS

DE 1163257 2/1964

OTHER PUBLICATIONS

Official Action for U.S. Appl. No. 10/732,726, mailed Nov. 16, 2011 9 pages.
 "New WATCO Eliminator Bath Waste", WATCO, as early as Aug. 8, 2001, pp. 1-2.
 "Tubular Plastic-Innovator® 590", Woodford Manufacturing Company, first sold Aug. 16, 2001, pp. 1-2.
 "WCM Industries-Freezeless Faucets, Yard Hydrants and Bath Wastes", as early as Aug. 2000, available at <http://www.woodfordmfg.com/>, printed on Sep. 15, 2005, page 1.
 Official Action for U.S. Appl. No. 10/732,726, mailed Mar. 28, 2005 (Restriction Requirement).
 Official Action for U.S. Appl. No. 10/732,726, mailed May 23, 2005.
 Official Action for U.S. Appl. No. 10/732,726, mailed Oct. 24, 2005.
 Official Action for U.S. Application No. 10/732,726, mailed May 19, 2006.
 Official Action for U.S. Appl. No. 10/732,726, mailed Jan. 30, 2008.
 Official Action for U.S. Appl. No. 10/732,726, mailed Jun. 2, 2008.
 Official Action for U.S. Appl. No. 10/732,726, mailed Aug. 20, 2008.
 Official Action for U.S. Appl. No. 10/732,726, mailed Nov. 17, 2008.
 Official Action for U.S. Appl. No. 10/732,726, mailed Dec. 9, 2008.
 Official Action for U.S. Appl. No. 10/732,726, mailed May 1, 2008.
 Official Action for U.S. Appl. No. 10/732,726, mailed Sep. 4, 2009.
 Official Action for U.S. Appl. No. 10/732,726, mailed Apr. 15, 2010.
 Official Action for U.S. Appl. No. 10/674,862, mailed Mar. 28, 2005.
 Official Action for U.S. Appl. No. 10/674,862, mailed Aug. 18, 2004.
 Notice of Allowance for U.S. Appl. No. 10/674,862, mailed Aug. 24, 2006.
 Official Action for U.S. Appl. No. 10/674,862, mailed Oct. 6, 2005.
 Official Action for U.S. Appl. No. 10/674,862, mailed Sep. 20, 2005.
 Official Communication for U.S. Appl. No. 10/674,862, mailed May 23, 2008.
 Examiner's Answer for U.S. Appl. No. 10/674,862, mailed May 15, 2008.
 Official Action for U.S. Appl. No. 10/674,862, mailed May 1, 2007.
 Official Action for U.S. Appl. No. 10/674,862, mailed Dec. 21, 2006.
 Notice of Allowance for U.S. Appl. No. 10/738,772, mailed Aug. 1, 2006.
 Official Action for U.S. Appl. No. 10/738,772, mailed May 11, 2006.
 Official Action for U.S. Appl. No. 10/738,772, mailed Mar. 27, 2006.
 Official Action for U.S. Appl. No. 10/738,772, mailed Aug. 2, 2005.
 Official Action for U.S. Appl. No. 10/738,772, mailed May 13, 2005.
 Official Action for U.S. Appl. No. 10/738,772, mailed Mar. 11, 2005.
 Official Action for U.S. Appl. No. 10/738,772, mailed Sep. 17, 2004.
 Official Action for U.S. Appl. No. 10/738,765, mailed May 22, 2007.
 Official Action for U.S. Appl. No. 10/738,765, mailed Jan. 13, 2006.
 Official Action for U.S. Appl. No. 10/738,765, mailed Jun. 6, 2005.
 Official Action for U.S. Appl. No. 10/738,765, mailed Apr. 13, 2006.
 Notice of Allowability for U.S. Appl. No. 29/362,288, mailed Oct. 7, 2010.
 Official Action for U.S. Appl. No. 10/732,726, mailed Oct. 25, 2010.
 Official Action for U.S. Appl. No. 10/732,726, mailed May 9, 2011 9 pages.

* cited by examiner

Fig. 1

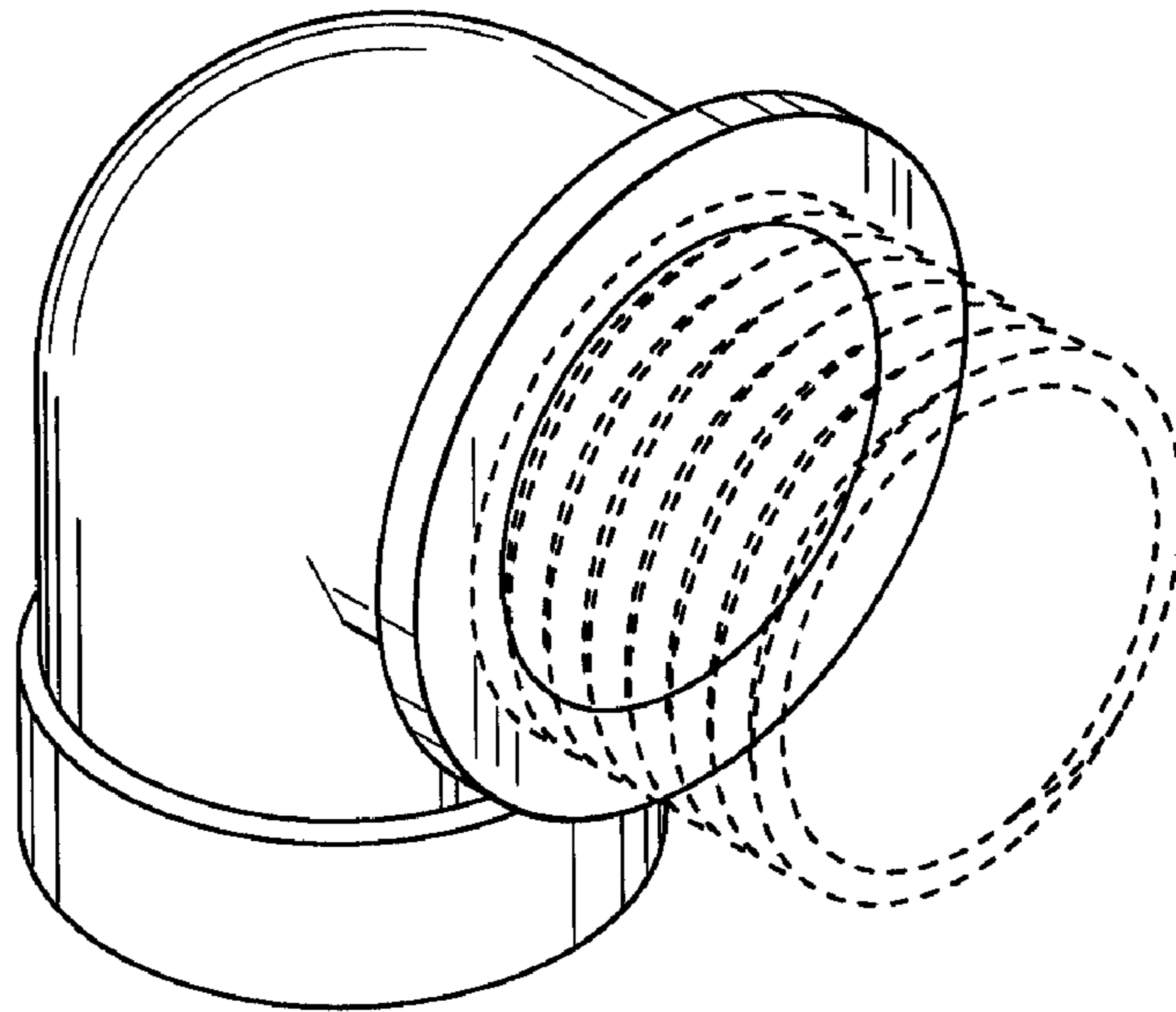


Fig. 2

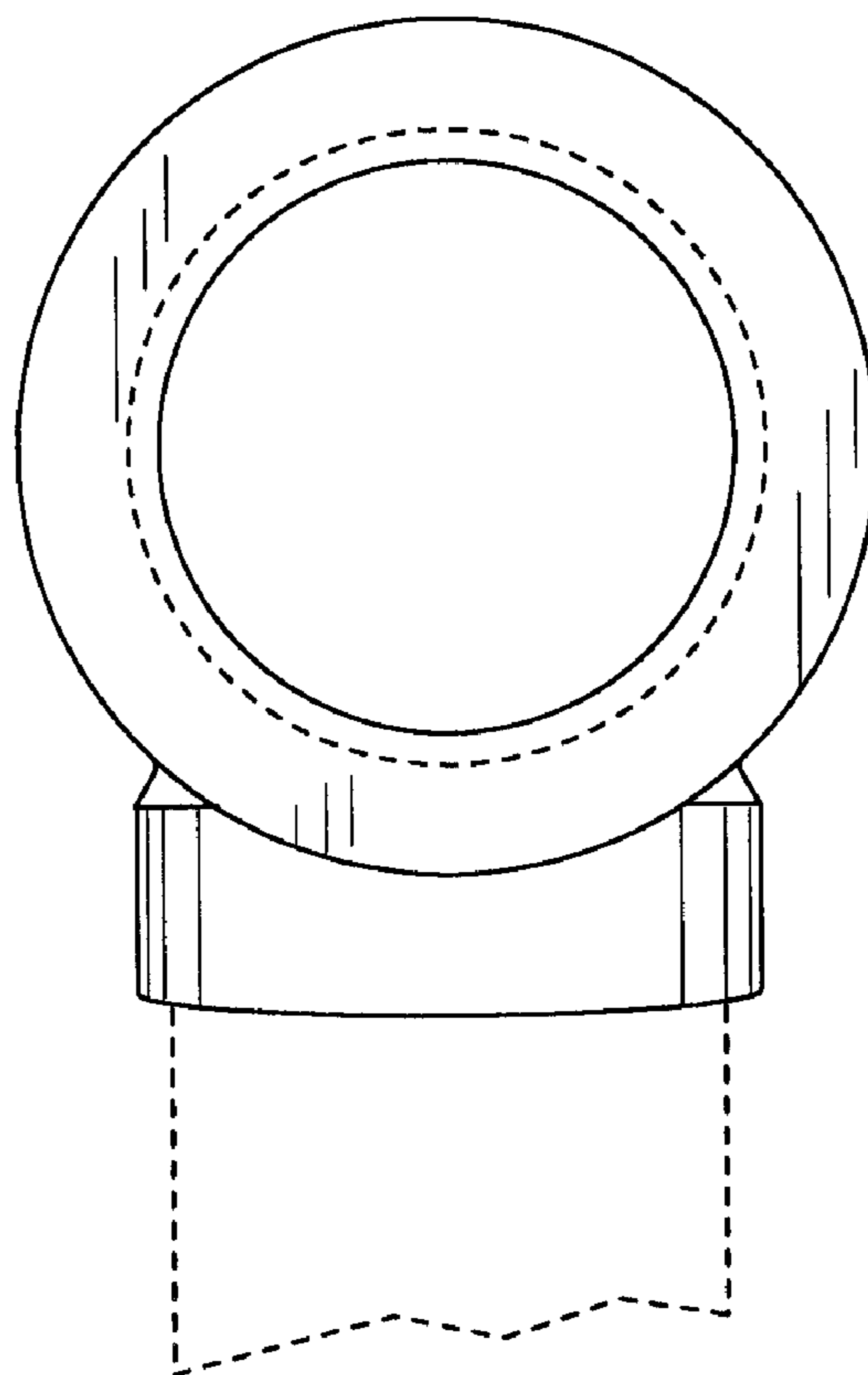


Fig. 3

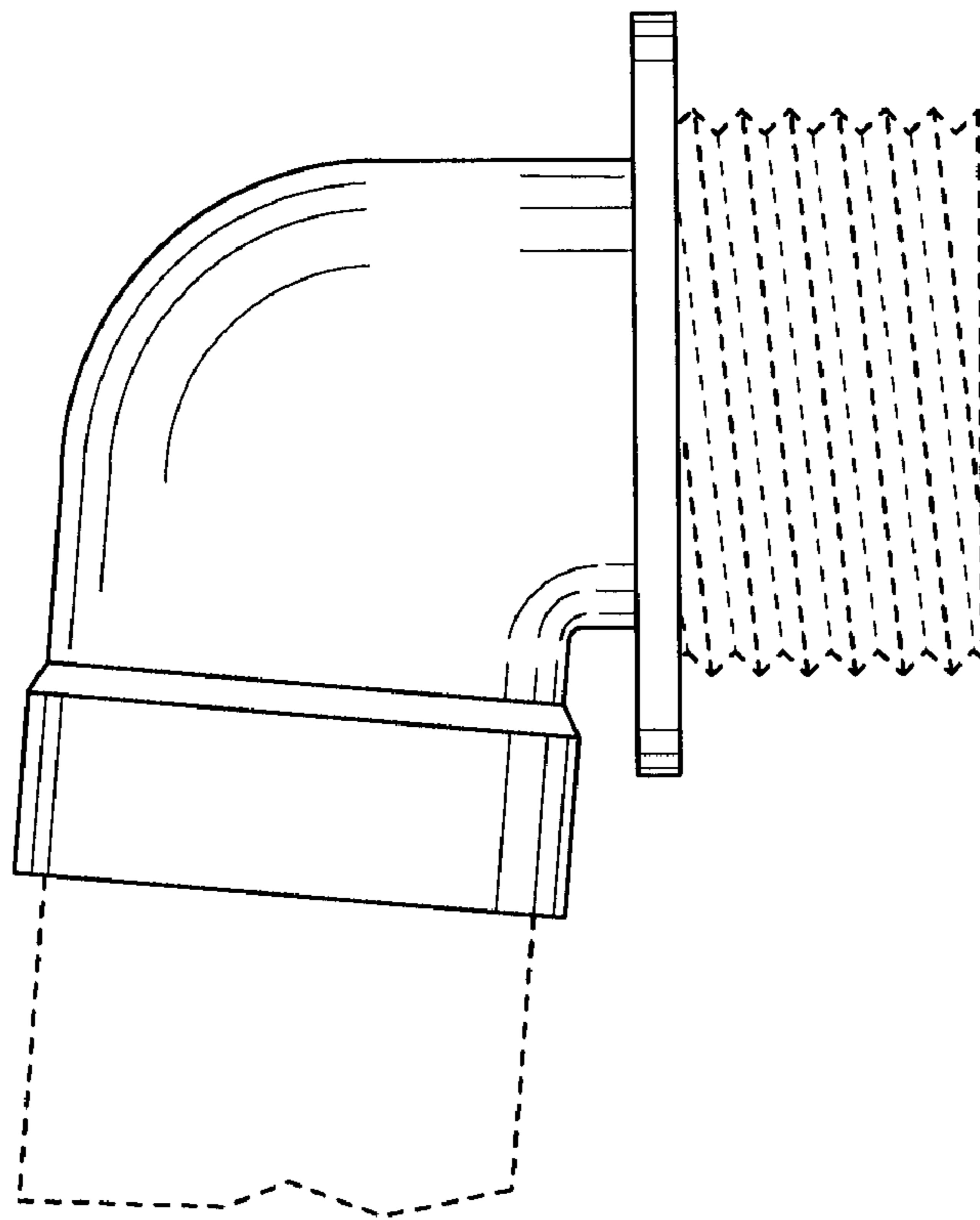


Fig. 4

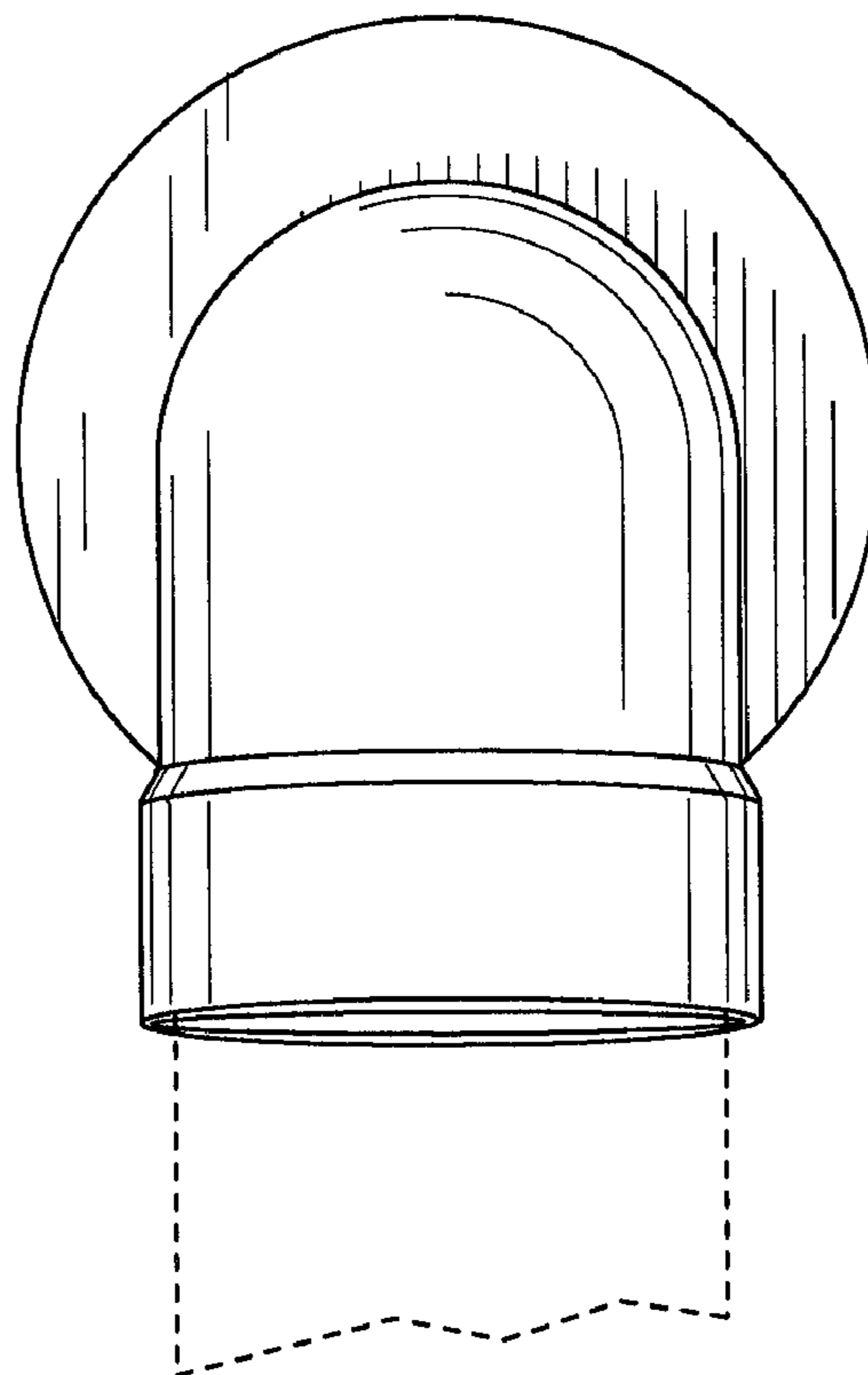


Fig. 5

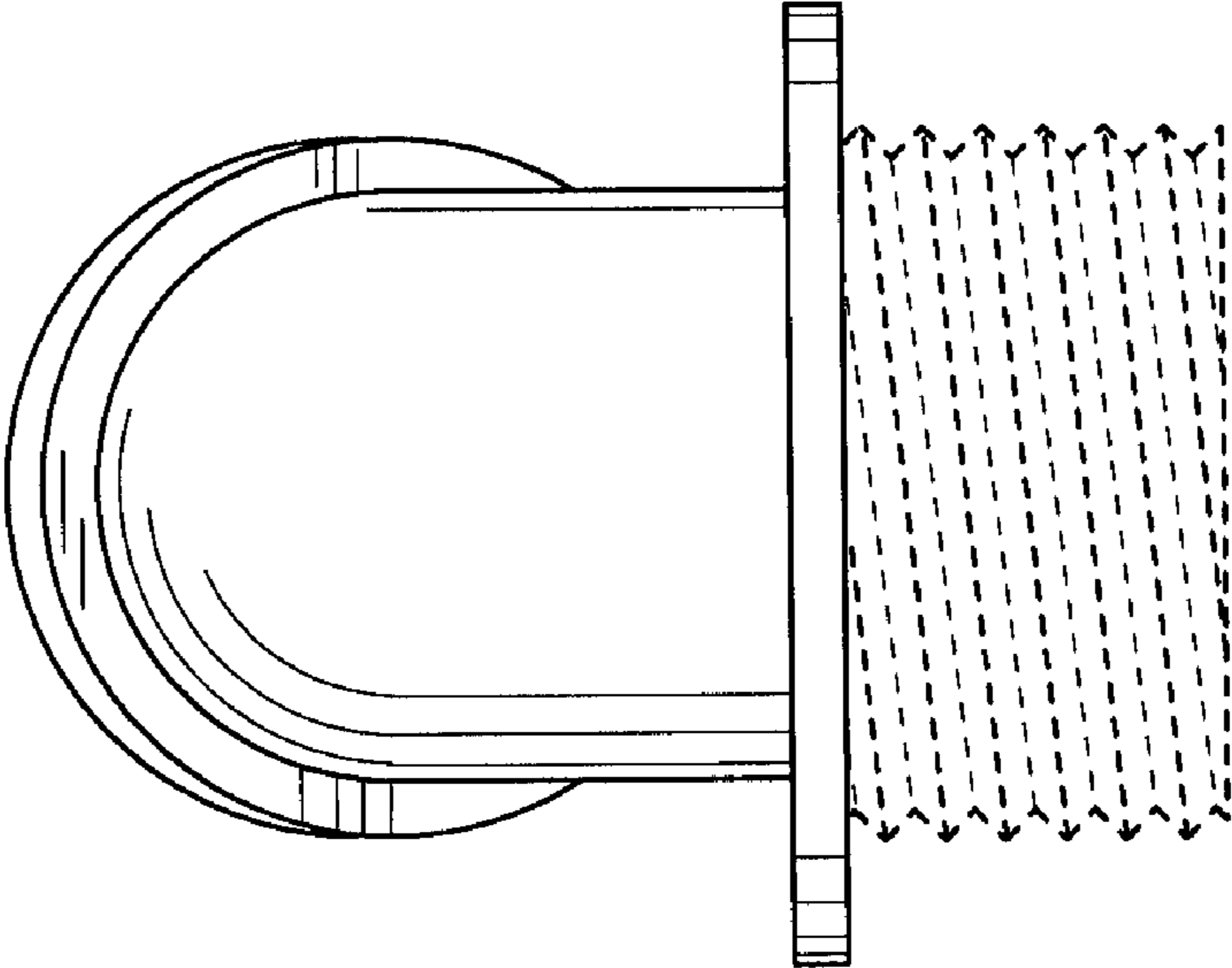


Fig. 6

