



US00D665050S

(12) **United States Design Patent**
Kulig et al.

(10) **Patent No.:** **US D665,050 S**

(45) **Date of Patent:** **** Aug. 7, 2012**

(54) **SHOWER HEAD**

(75) Inventors: **Zbigniew Kulig**, Wadworth, IL (US);
Davide Oppizzi, Genève (CH)

(73) Assignee: **Graff Faucets**, Milwaukee, WI (US)

(**) Term: **14 Years**

(21) Appl. No.: **29/401,871**

(22) Filed: **Sep. 16, 2011**

(51) **LOC (9) Cl.** **23-01**

(52) **U.S. Cl.** **D23/213**; D23/228; D23/304

(58) **Field of Classification Search** D23/213,
D23/214, 228-230, 304; 239/280; 4/567,
4/552, 596, 597, 601, 605, 615, 900

See application file for complete search history.

(56) **References Cited**

U.S. PATENT DOCUMENTS

D472,302 S * 3/2003 Colligan et al. D23/223

* cited by examiner

Primary Examiner — Robin V Webster

(74) *Attorney, Agent, or Firm* — Boyle Fredrickson, S.C.

(57) **CLAIM**

The ornamental design for a shower head, as shown and described.

DESCRIPTION

FIG. 1 is an isometric view of a shower head incorporating our new design, viewed from in front of, above, and from the right side of the shower head;

FIG. 2 is a right-side elevation view thereof;

FIG. 3 is a left-side elevation view thereof;

FIG. 4 is a front elevation view thereof;

FIG. 5 is a rear elevation view thereof;

FIG. 6 is a top plan view thereof; and,

FIG. 7 is a bottom plan view thereof.

The broken lines in FIGS. 1-7 are for illustrative purposes only and form no part of the claimed design.

1 Claim, 7 Drawing Sheets

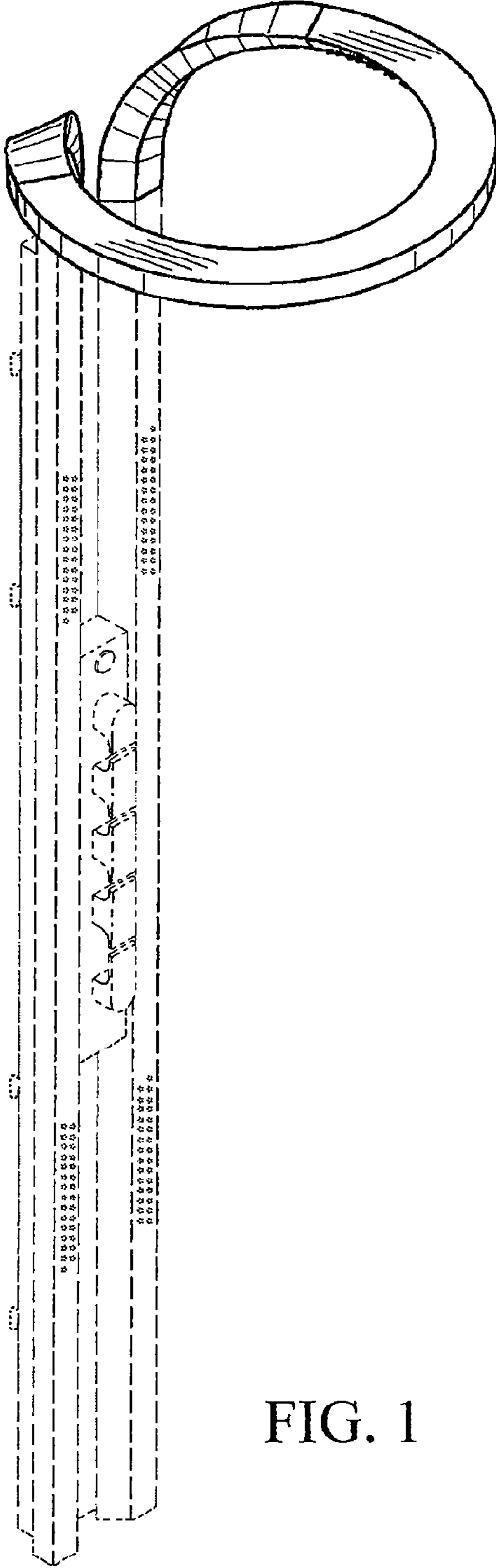


FIG. 1

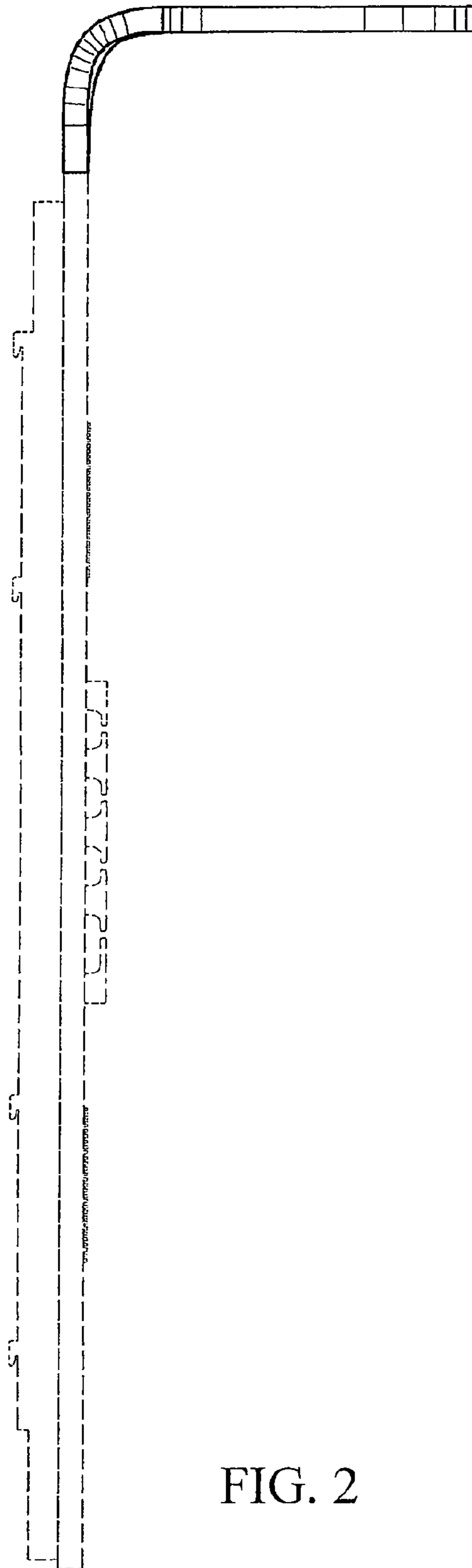


FIG. 2

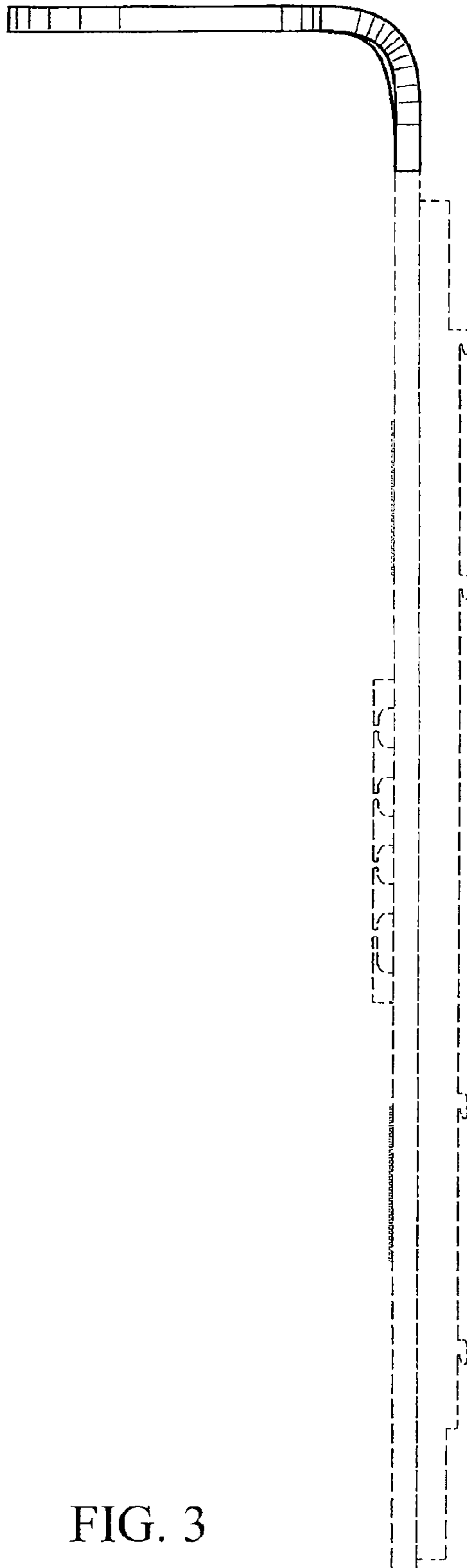


FIG. 3

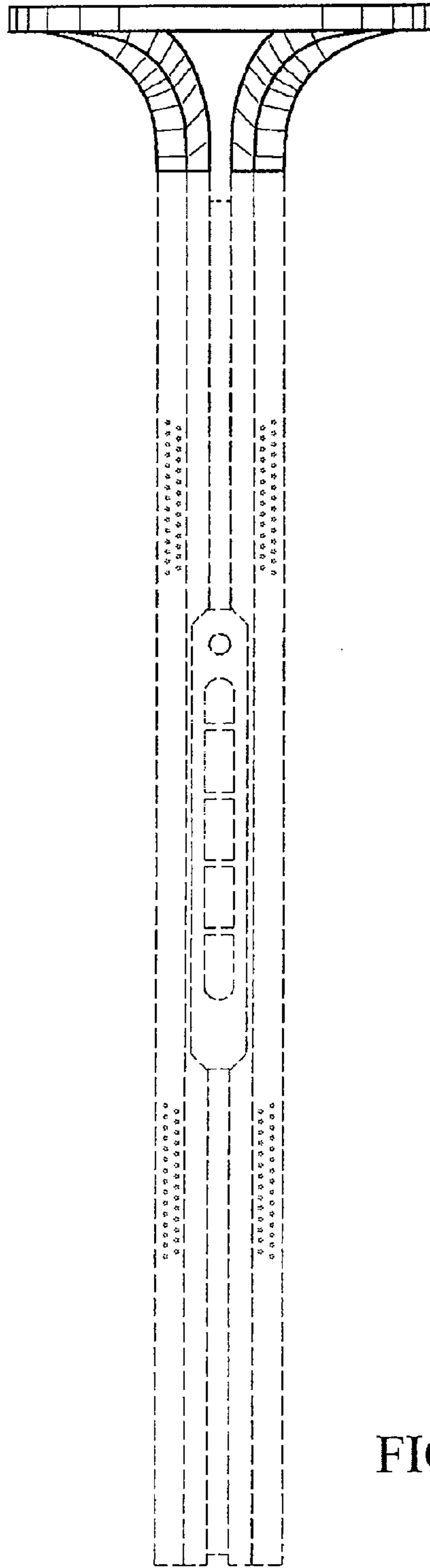


FIG. 4

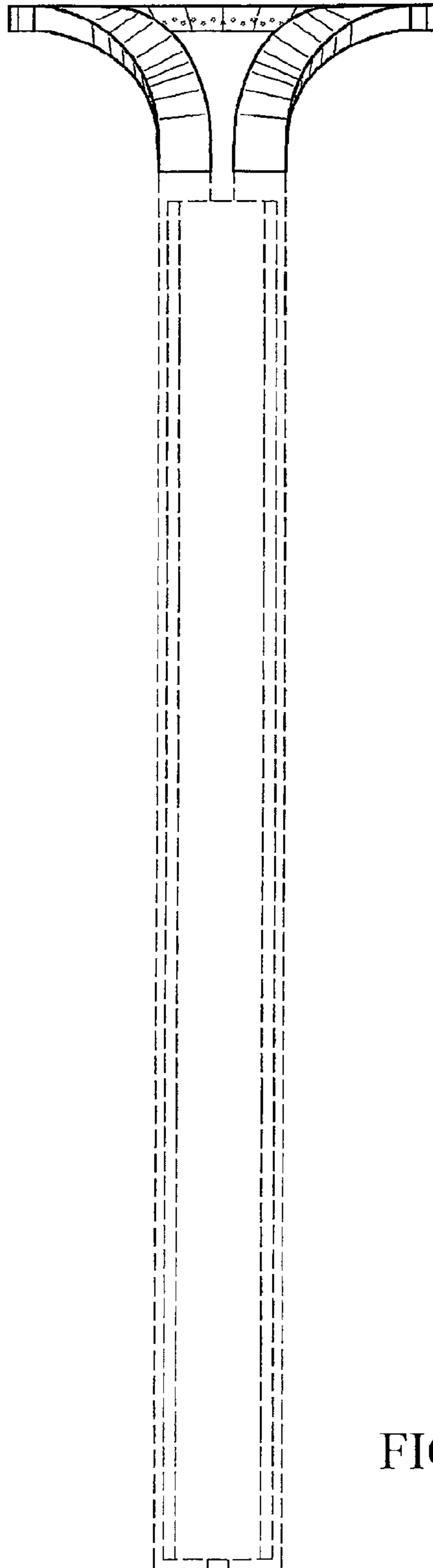


FIG. 5

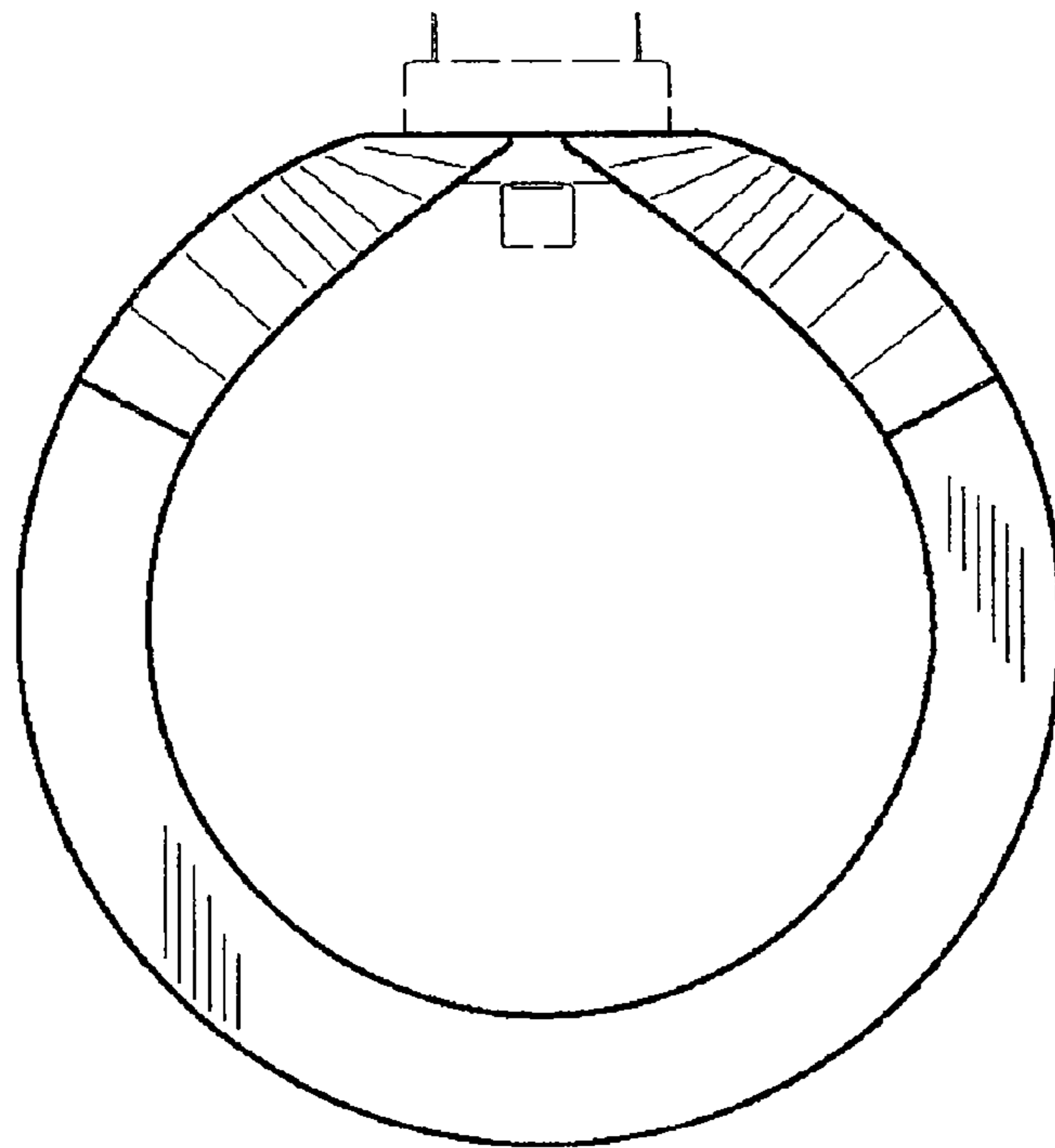


FIG. 6

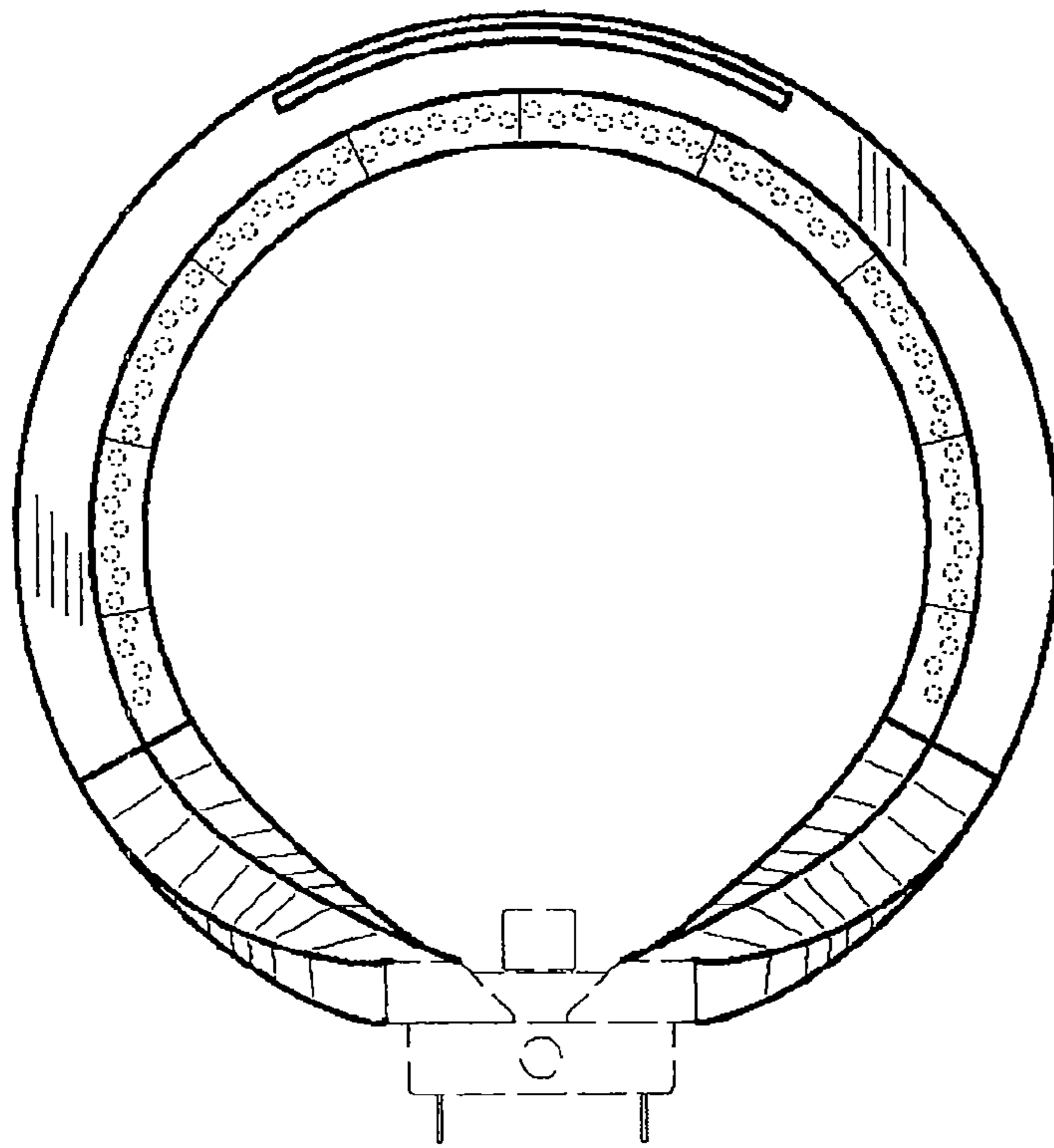


FIG. 7