

US00D665046S

(12) **United States Design Patent**
Brandt

(10) **Patent No.:** **US D665,046 S**

(45) **Date of Patent:** **** Aug. 7, 2012**

(54) **FISHING LURE**

(75) Inventor: **Mikael Brandt**, Hanko (FI)

(73) Assignee: **Oy FP Finland Ltd**, Hanko (FI)

(**) Term: **14 Years**

(21) Appl. No.: **29/408,616**

(22) Filed: **Dec. 14, 2011**

(30) **Foreign Application Priority Data**

Jun. 16, 2011 (EM) 001878760-0003

(51) **LOC (9) Cl.** **22-05**

(52) **U.S. Cl.** **D22/133**

(58) **Field of Classification Search** D22/126-133;
43/42.49, 42.28, 42.34, 42.38, 42.3, 42.25,
43/42.39, 42.09, 42.06, 42.32, 42.33, 42.31,
43/42.15

See application file for complete search history.

(56) **References Cited**

U.S. PATENT DOCUMENTS

4,176,490 A * 12/1979 Philips 43/42.15
D256,045 S * 7/1980 Philips D22/133
D624,147 S * 9/2010 Brandt D22/131

* cited by examiner

Primary Examiner — Catheri Oliver

(74) *Attorney, Agent, or Firm* — Klauber & Jackson LLC

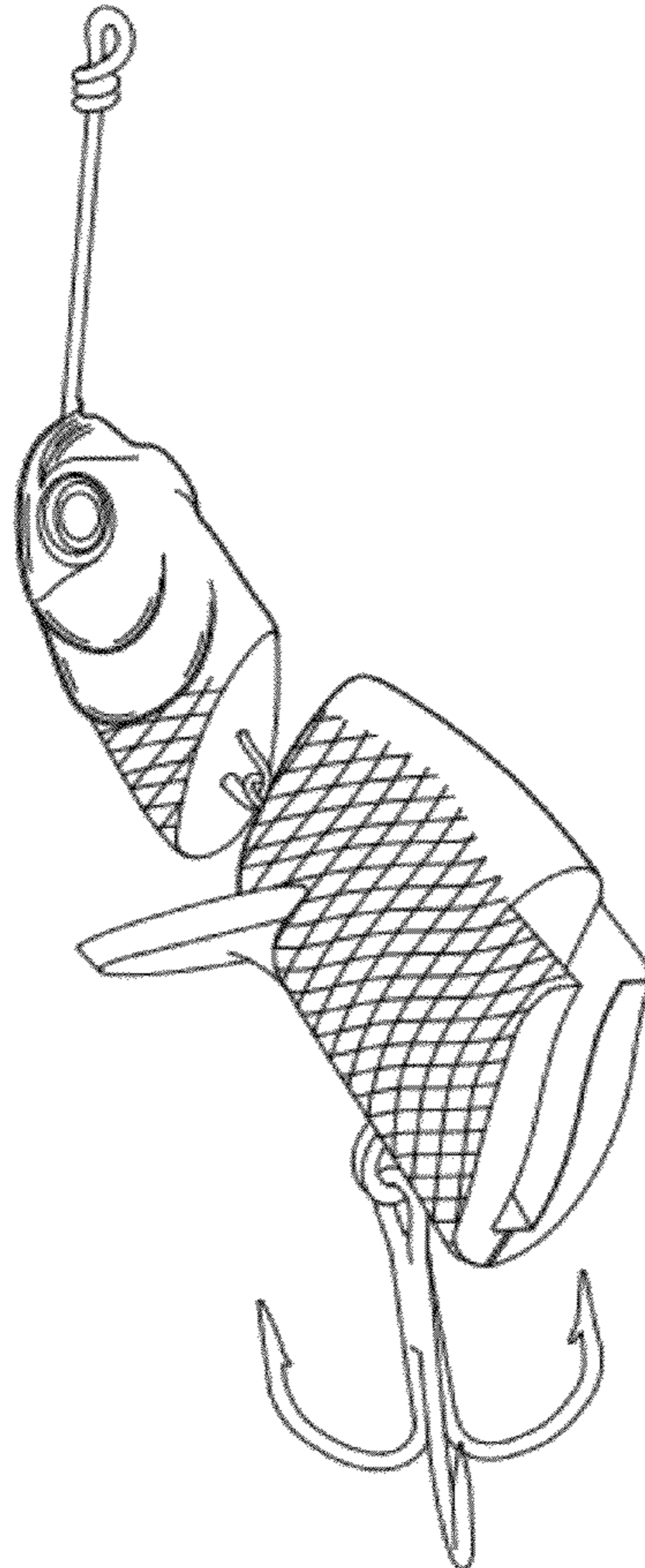
(57) **CLAIM**

The ornamental design for fishing lure, as shown and described.

DESCRIPTION

FIG. 1 is an upper right perspective view showing the top, front and right side of the fishing lure of my new design; FIG. 2 is a left side thereof; FIG. 3 is a top view thereof; FIG. 4 is a front view thereof; FIG. 5 is right side view thereof; FIG. 6 is a bottom view thereof; and, FIG. 7 is a rear view thereof.

1 Claim, 4 Drawing Sheets



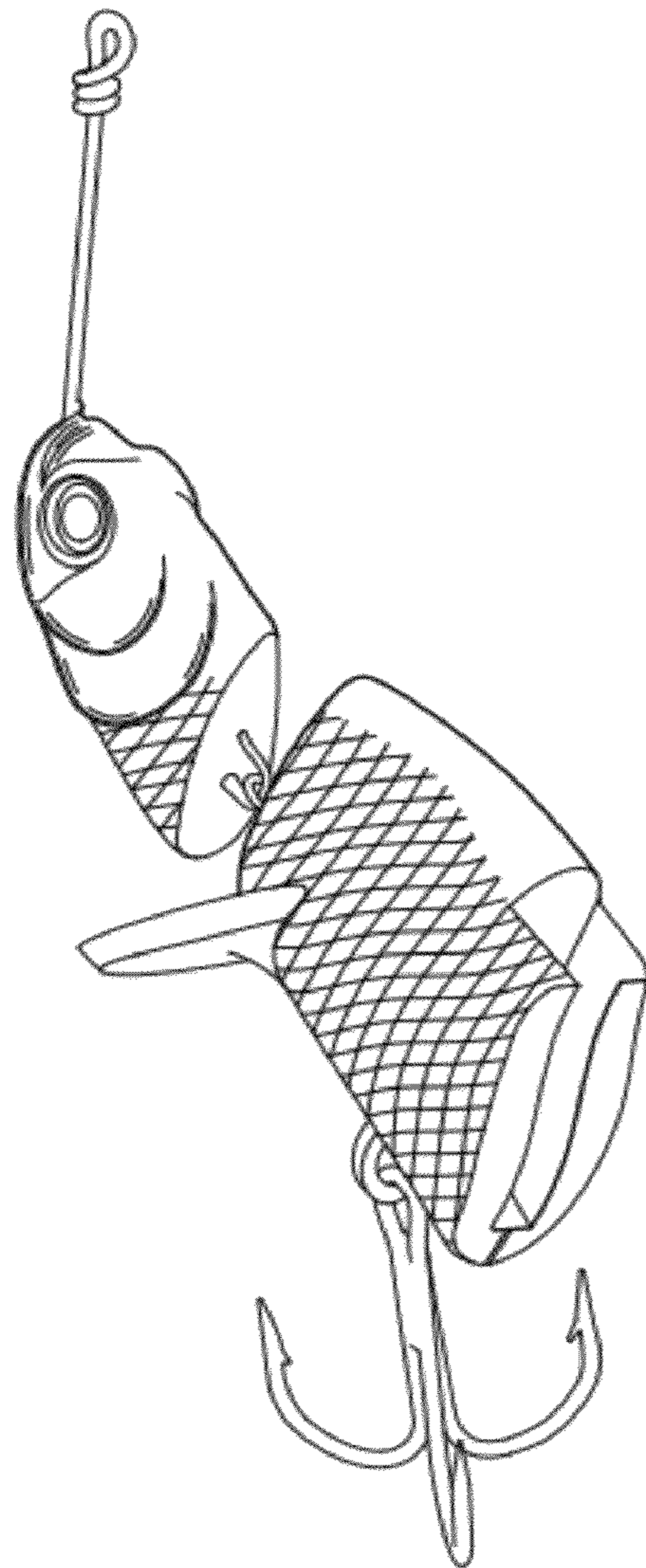


FIG. 1

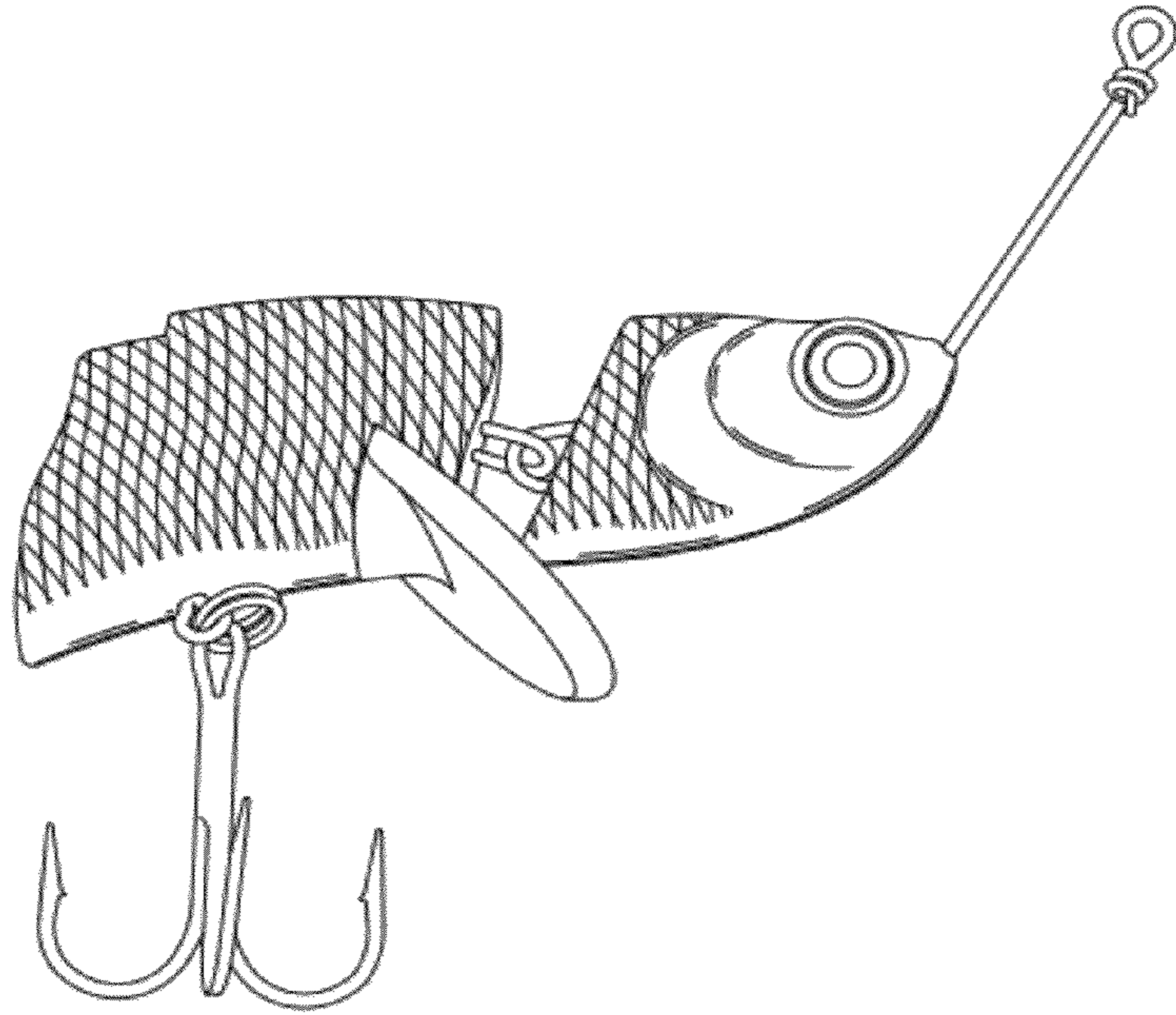


FIG. 2

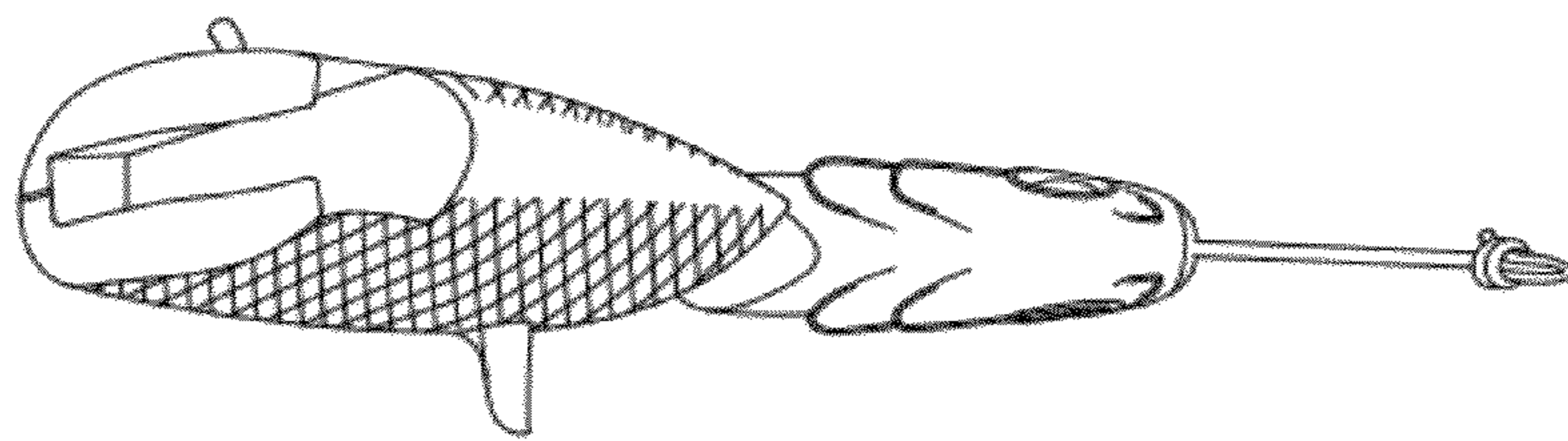


FIG. 3

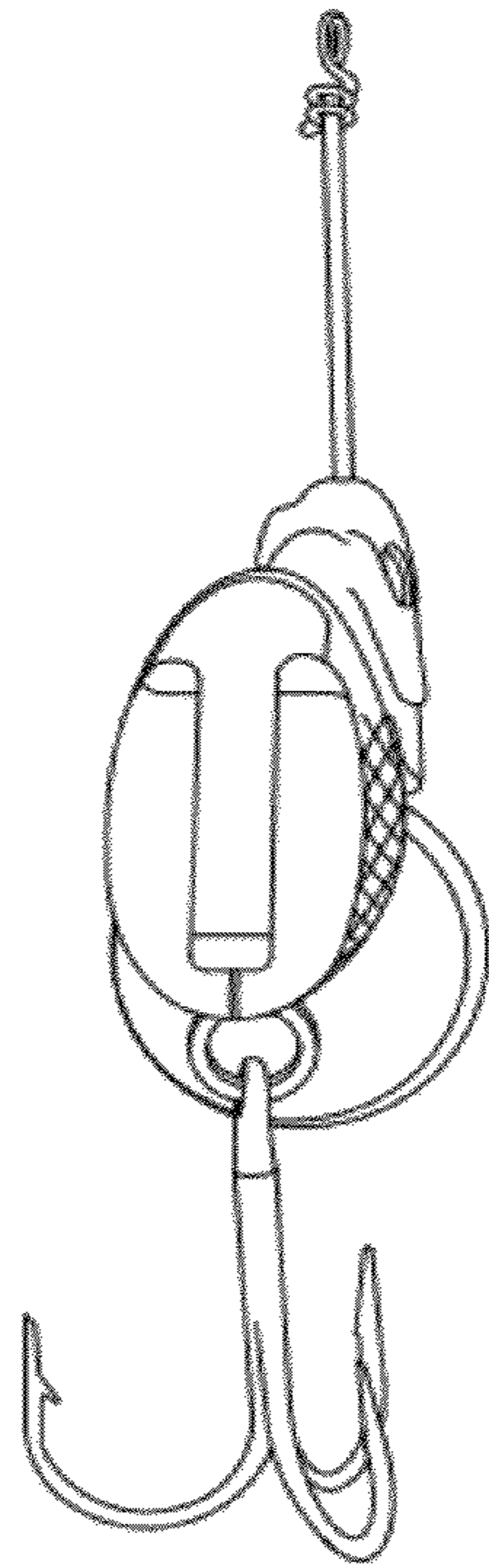


FIG. 4

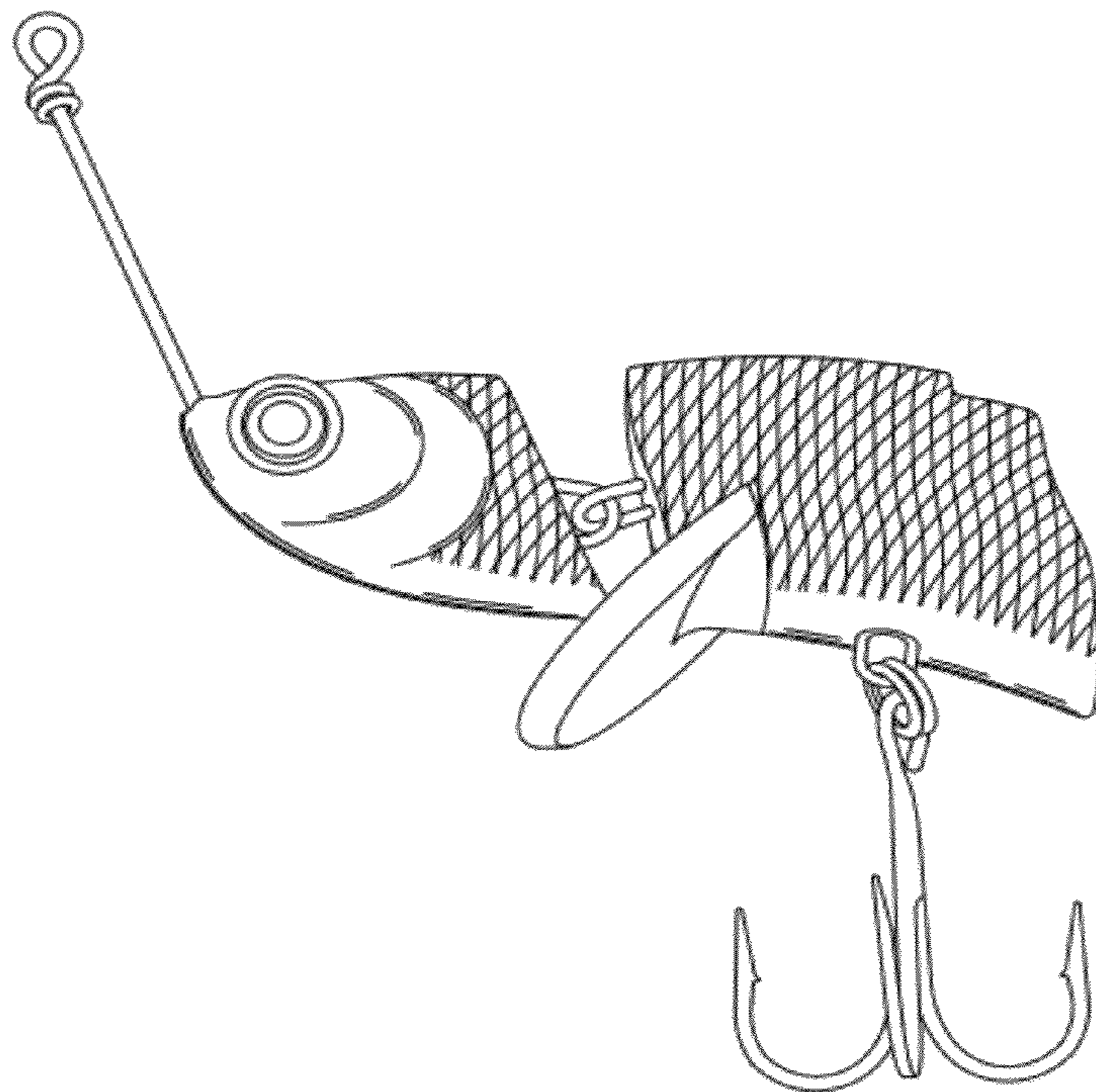


FIG. 5

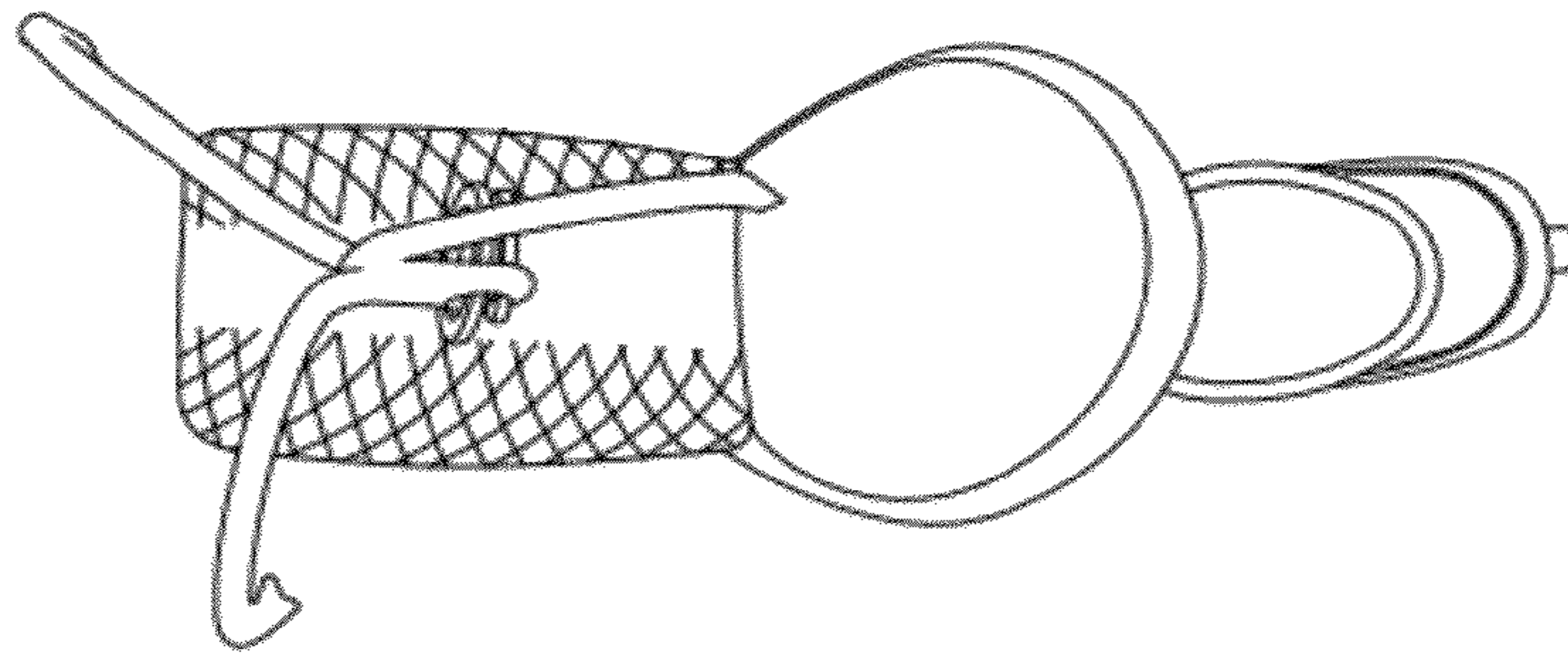


FIG. 6

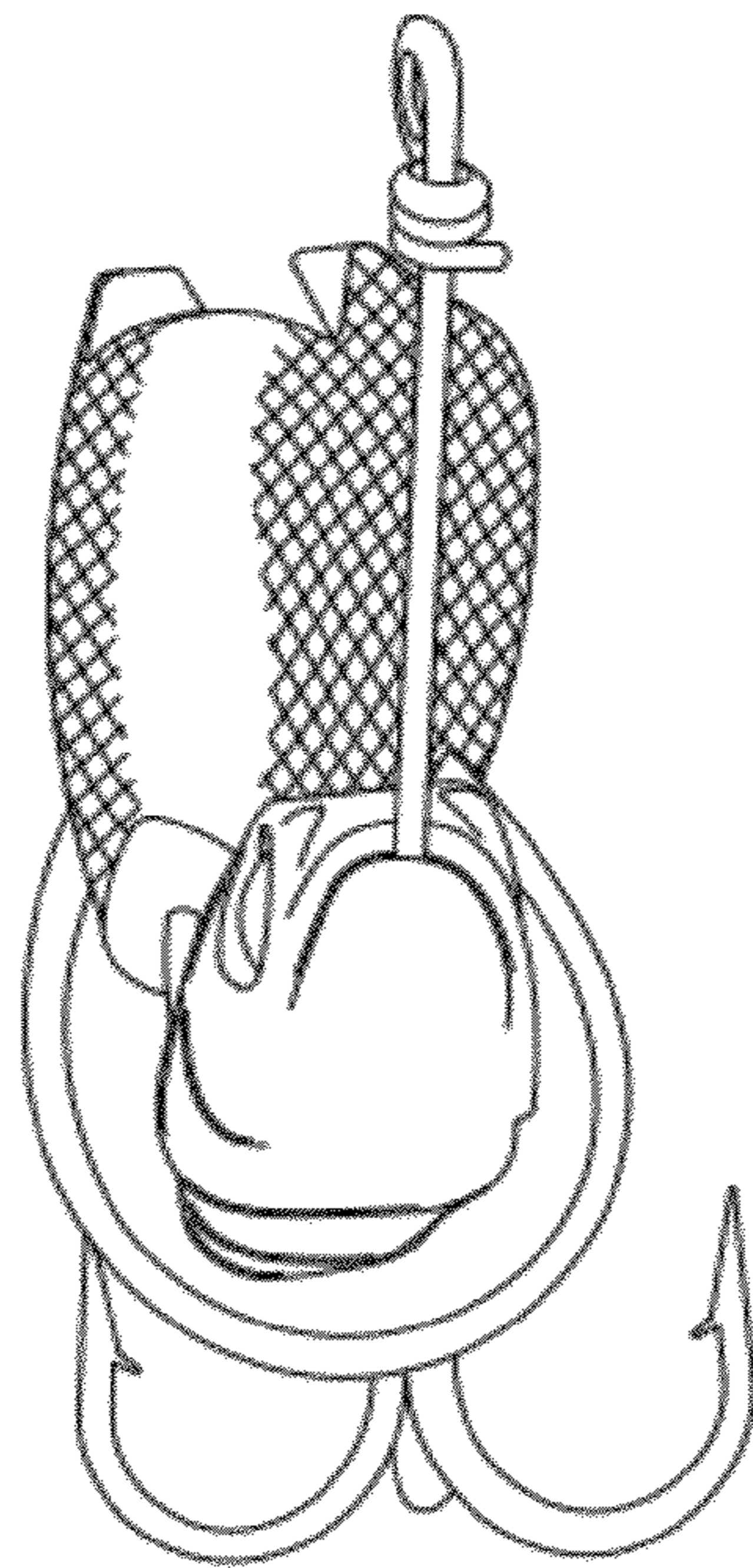


FIG. 7