



US00D665043S

(12) **United States Design Patent**
Fitzpatrick et al.

(10) **Patent No.:** **US D665,043 S**

(45) **Date of Patent:** **** Aug. 7, 2012**

(54) **FOREGRIP FOR A FIREARM**

(75) Inventors: **Richard Fitzpatrick**, Longmont, CO (US); **Michael T. Mayberry**, Denver, CO (US); **Travis Darran Haley**, Montrose, CO (US); **Eric Christopher Burt**, Broomfield, CO (US); **Brian Abbott**, Salem, OR (US); **Mike Morgan**, Windsor, CO (US)

(73) Assignee: **Magpul Industries Corporation**, Erie, CO (US)

(**) Term: **14 Years**

(21) Appl. No.: **29/378,513**

(22) Filed: **Nov. 5, 2010**

(51) **LOC (9) Cl.** **22-01**

(52) **U.S. Cl.** **D22/108**

(58) **Field of Classification Search** D22/100, D22/108, 109, 110, 199; 42/11, 113, 116, 42/119, 124, 125, 127, 90, 145, 128, 72, 42/106, 114, 85, 75.02, 71.01; 248/201, 248/205.1

See application file for complete search history.

(56) **References Cited**

U.S. PATENT DOCUMENTS

2,472,804	A	6/1949	Bird
2,826,848	A	3/1958	Davies
3,225,656	A	12/1965	Flaherty
4,321,765	A	3/1982	Gillum
4,327,626	A	5/1982	McQueen
4,502,238	A	3/1985	Farrar
5,048,215	A	9/1991	Davis
5,068,992	A	12/1991	Velezis

(Continued)

FOREIGN PATENT DOCUMENTS

JP 07-225098 8/1995

OTHER PUBLICATIONS

BravoCompanyUSA_com_2006_TangoDown_Vertical_Grip
BravoCompanyUSA.com (Aug. 21, 2006) TangoDown Vertical Grip—Black; Website [Online] Available Web Site: <http://www.bravocompanyusa.com/TangoDown-Vertical-Grip-p/vpg%20td%20bgv-mk46%20black.htm>; Last Update: Mar. 23, 2008; Accessed on: Aug. 24, 2010.

(Continued)

Primary Examiner — Michael Pratt

(74) *Attorney, Agent, or Firm* — Swanson & Bratschun, L.L.C.

(57) **CLAIM**

The ornamental design for a foregrip for a firearm, as shown and described.

DESCRIPTION

FIG. 1 is a front, bottom, left perspective view of a foregrip for a firearm showing our new design;

FIG. 2 is a left side elevation view of the foregrip for a firearm of FIG. 1 shown mounted on a rifle, with the rifle illustrated in broken lines;

FIG. 3 is a front elevation view of the foregrip for a firearm of FIG. 1;

FIG. 4 is a rear elevation view of the foregrip for a firearm of FIG. 1;

FIG. 5 is a left side elevation view of the foregrip for a firearm of FIG. 1;

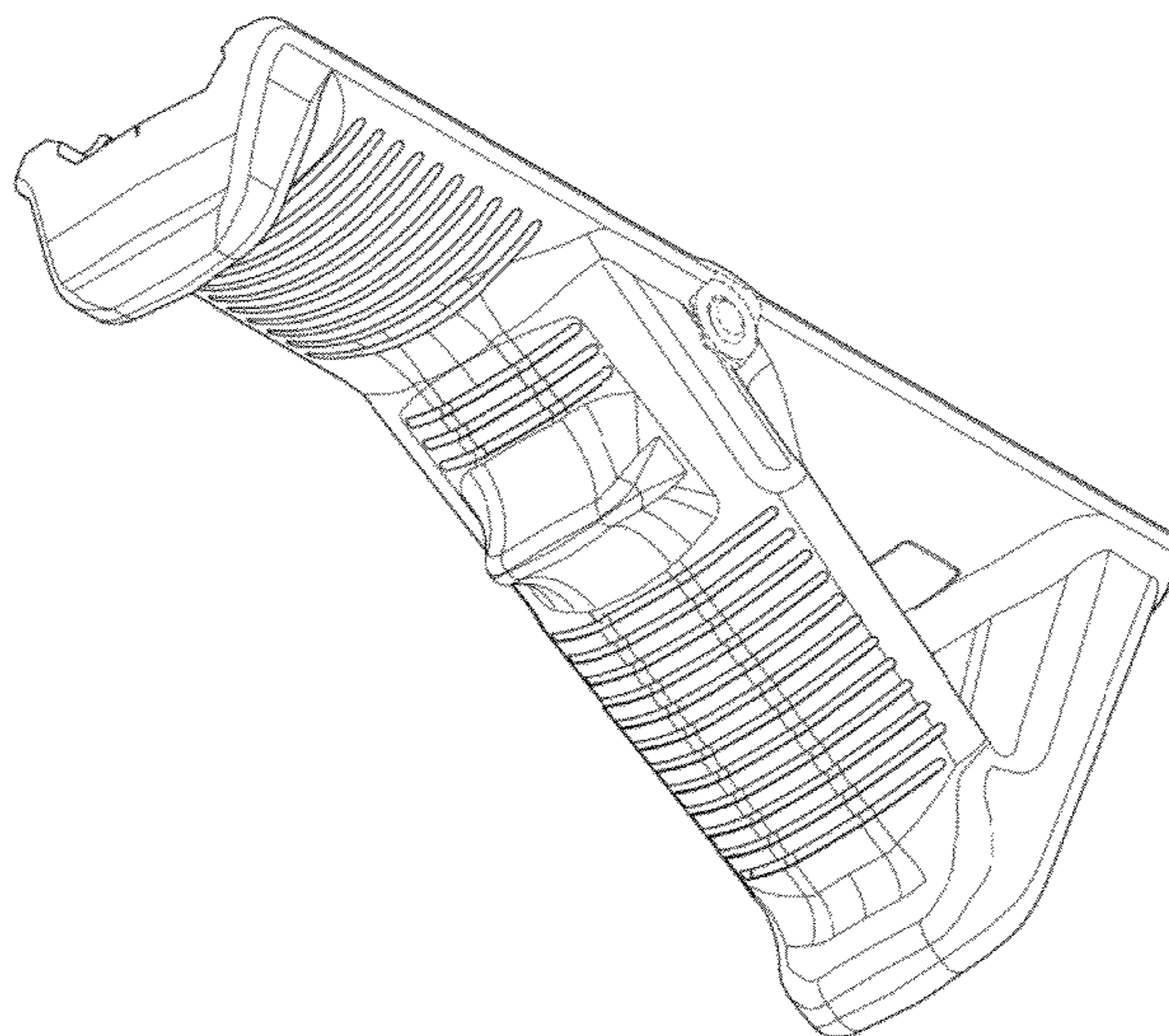
FIG. 6 is a right side elevation view of the foregrip for a firearm of FIG. 5;

FIG. 7 is a top plan view of the foregrip for a firearm of FIG. 1; and,

FIG. 8 is a bottom plan view of the foregrip for a firearm of FIG. 1.

The broken lines showing portions of the design in all figures is included for the purpose of illustrating environment or unclaimed features and forms not part of the claimed design.

1 Claim, 7 Drawing Sheets



US D665,043 S

Page 2

U.S. PATENT DOCUMENTS

5,347,740 A 9/1994 Rather
5,417,002 A 5/1995 Guerra
5,903,995 A 5/1999 Brubach
5,956,879 A 9/1999 Zerega
6,134,823 A 10/2000 Griffin
6,298,594 B1 10/2001 Strayer
6,397,507 B1 6/2002 Marshall
6,487,807 B1 12/2002 Kopman
6,698,127 B2 3/2004 Weber
6,785,997 B2 9/2004 Oz
6,901,691 B1 6/2005 Little
6,920,713 B1 7/2005 Love
7,111,424 B1 9/2006 Moody
7,121,034 B2 10/2006 Keng
7,191,557 B2 3/2007 Gablowski
D643,497 S * 8/2011 Fitzpatrick et al. D22/108
2003/0127085 A1 7/2003 Brunette
2004/0064994 A1 4/2004 Luke
2004/0144010 A1 7/2004 Golan
2005/0183317 A1 8/2005 Finn
2005/0241206 A1 11/2005 Teetzel
2006/0064913 A1 3/2006 Gablowski
2006/0123683 A1 6/2006 Garrett
2006/0191183 A1 8/2006 Griffin
2010/0031552 A1 2/2010 Houde-Walter

OTHER PUBLICATIONS

Cmmgincsecuremall_com_2004_Assorted_Grips_Mounted
Cmmginc.secure-mall.com (Aug. 6, 2004) Assorted Grips Mounted;

Website [Online] Available Web Site: <http://cmmginc.secure-mall.com/shop/index.php?shop=1&cat=15> ; Last Update: Sep. 9, 2005; Accessed on: Jan. 12, 2011.
FNH_USA_2008_FN303_Standard_Launcher FNH-USA (Jul. 6, 2008) FN303 Standard Launcher; Website [Online] Available Web Site: <http://www.fnhusa.com/1e/products/firearms/model.asp?fid=FNF010&gid=FNG003&mid=FNM0020>; Last Update: Jul. 10, 2008; Accessed on Aug. 24, 2010.
Knightarmco_com_2009_Forward_Pistol_Grip_Green Knightarmco.com (Oct. 23, 2009) Forward Pistol Grip Green; Website [Online] Available Web Site: http://www.knightarmco.com/shop/index.php?main_page=product_info&cPath=1&products_id=30&zenid=fjc8ovk394d91el07a9u7ilb70; Last Update: Unknown; Accessed on: Jan. 12, 2011.
M4Carbine_net_Forums_2008_VFGs_What_next M4Carbine.net Forums (Dec. 24, 2008) VFGs: What next? A Concept . . . ; Website [Online] Available Web Site: <http://m4carbine.net/showthread.php?t=23811>; Last Update: Dec. 8, 2009; Accessed on Aug. 24, 2010.
Surefire_com_2010_Vertical_Foregrip_Weaponlights Surefire.com (2010) Vertical Foregrip Weaponlights; Website [Online] Available Web Site: <http://www.surefire.com/VerticalForegripWeaponLights>; Last Update: Unknown; Accessed on: Aug. 24, 2010.
International Search Report and Written Opinion dated Jun. 24, 2011, from PCT/US2010/052233.

* cited by examiner

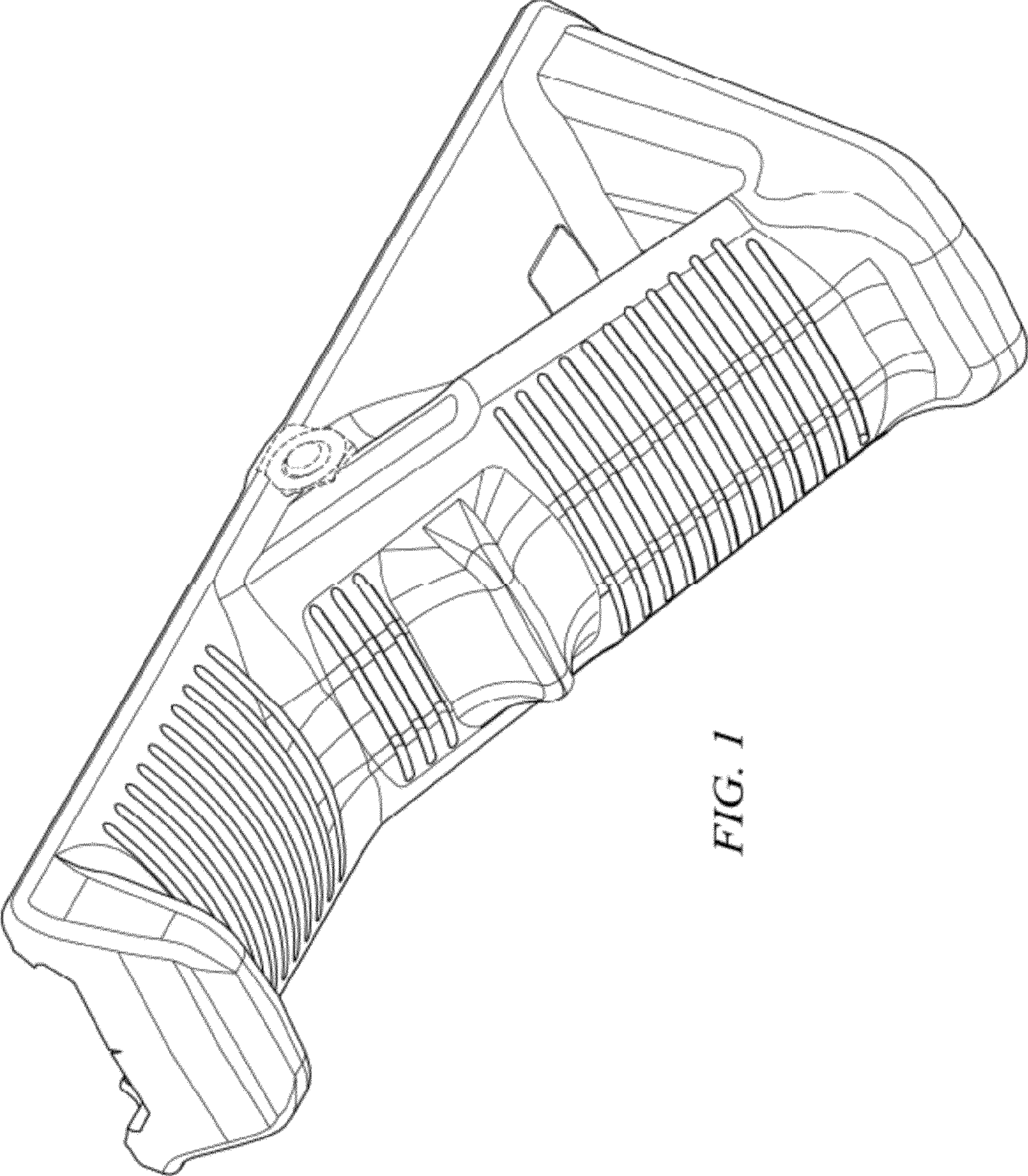


FIG. 1

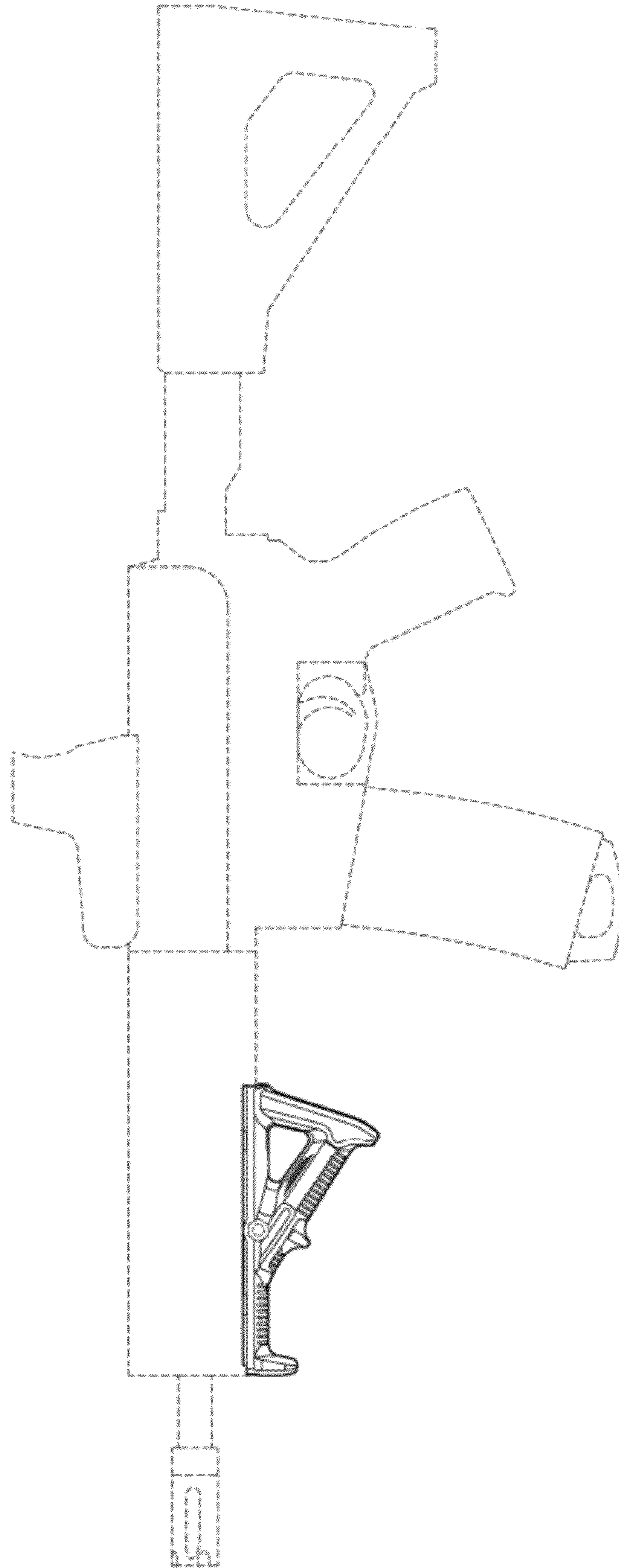


FIG. 2

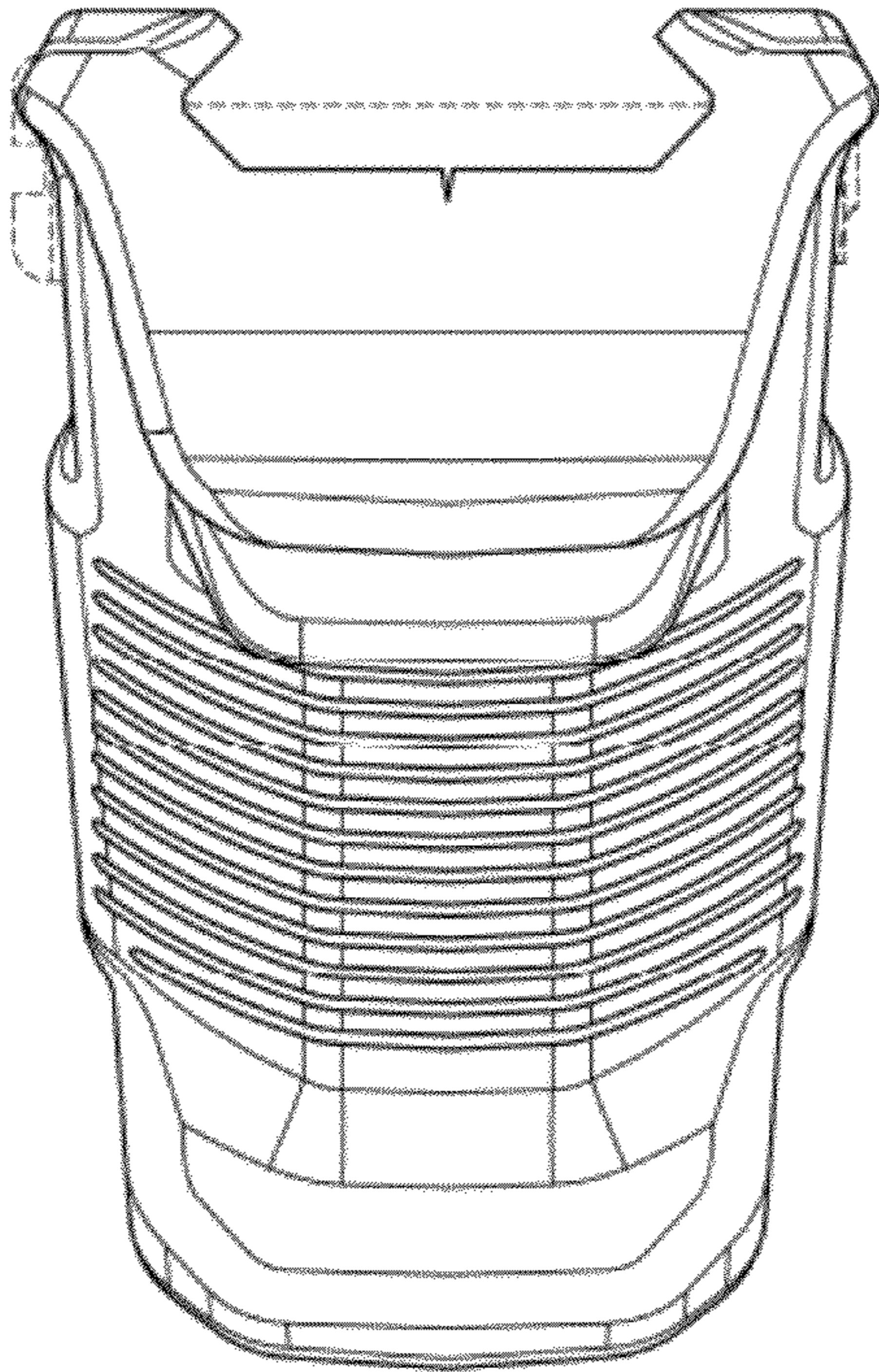


FIG. 3

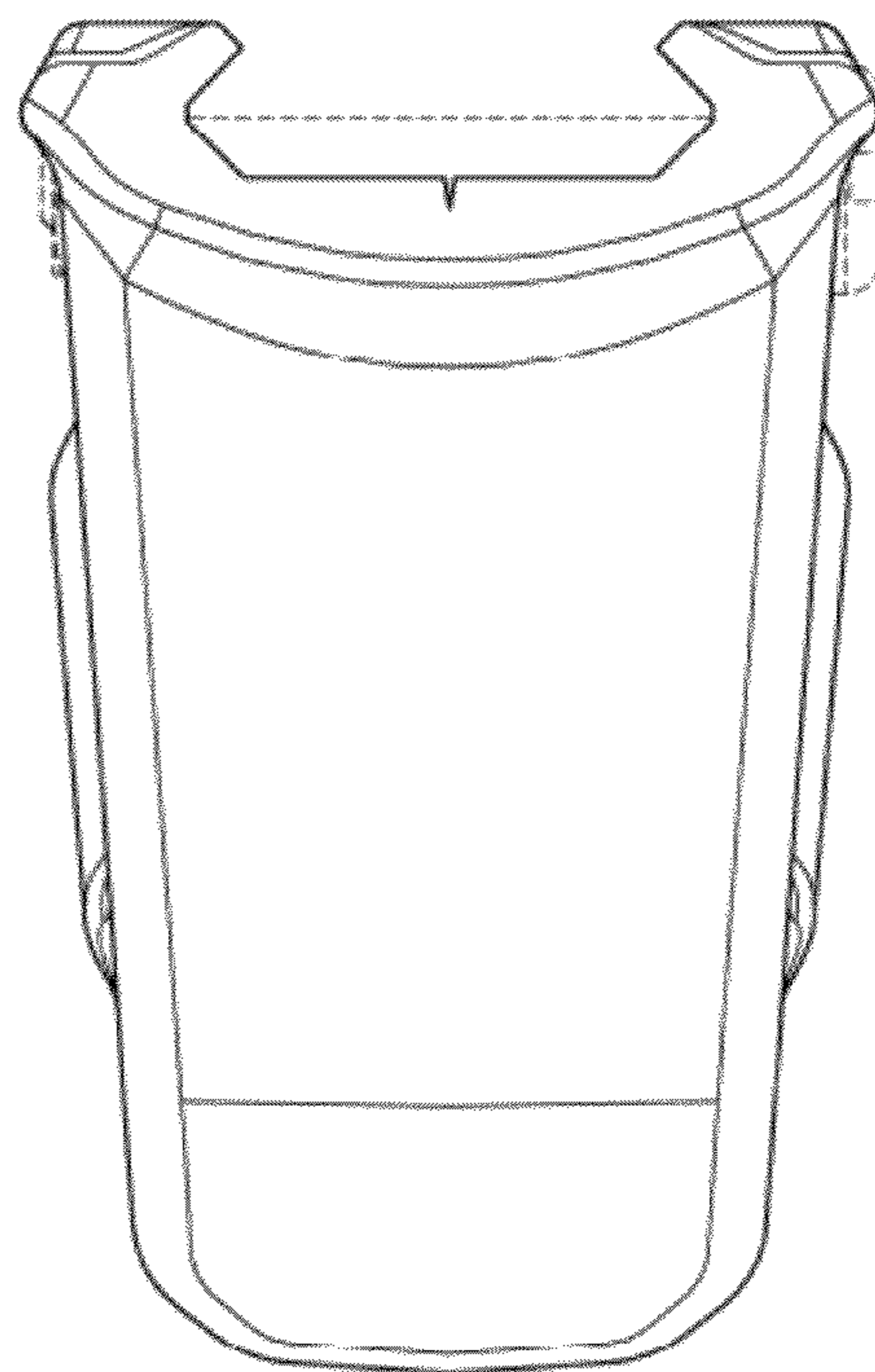


FIG. 4

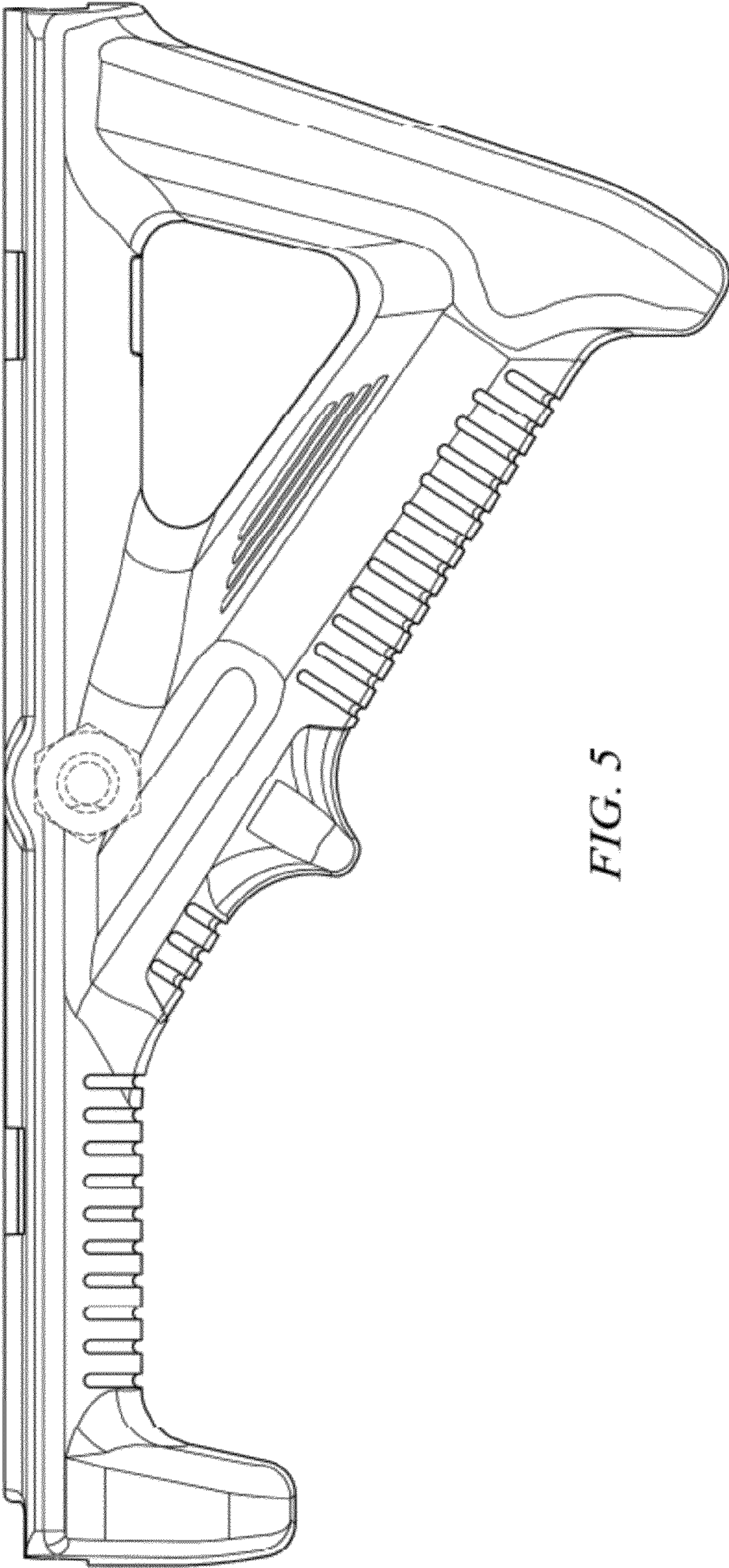


FIG. 5

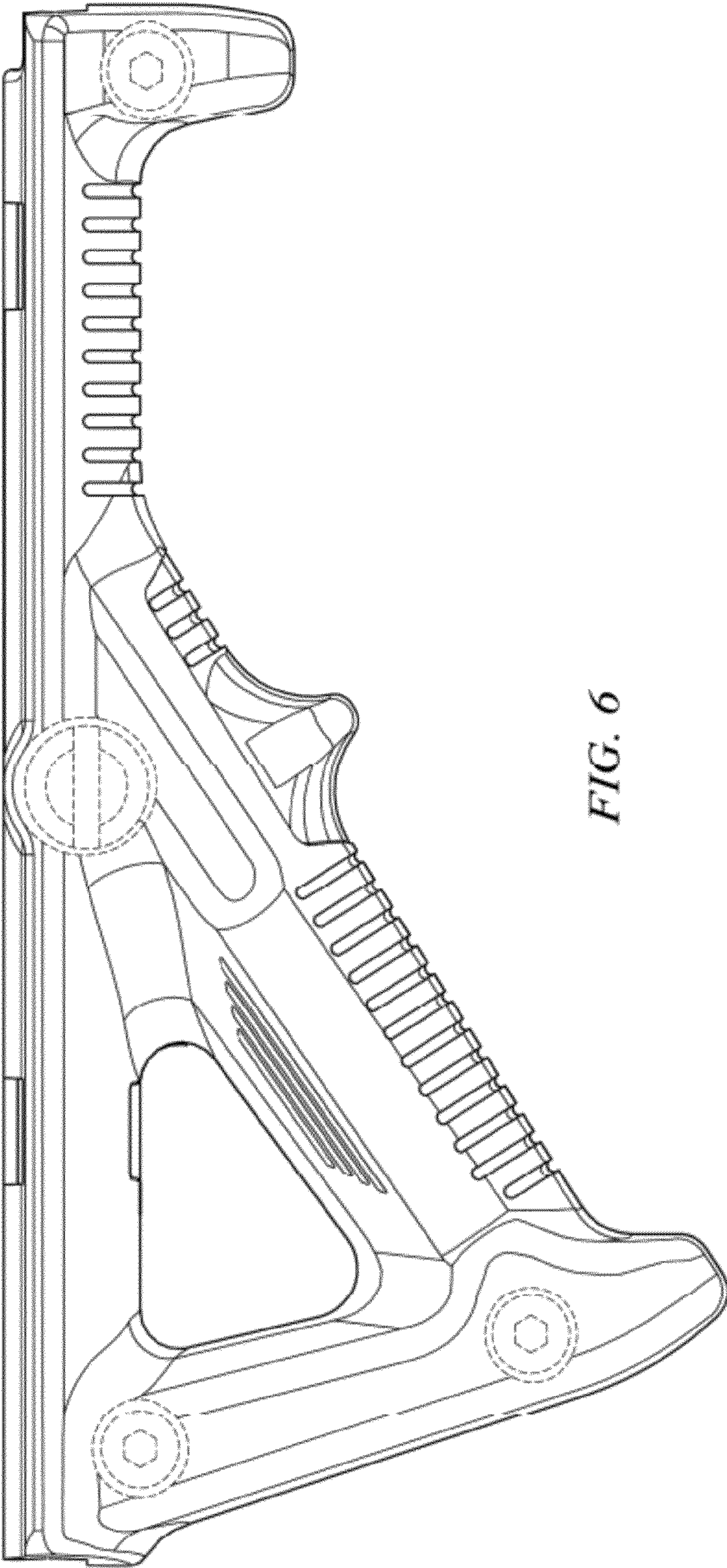


FIG. 6

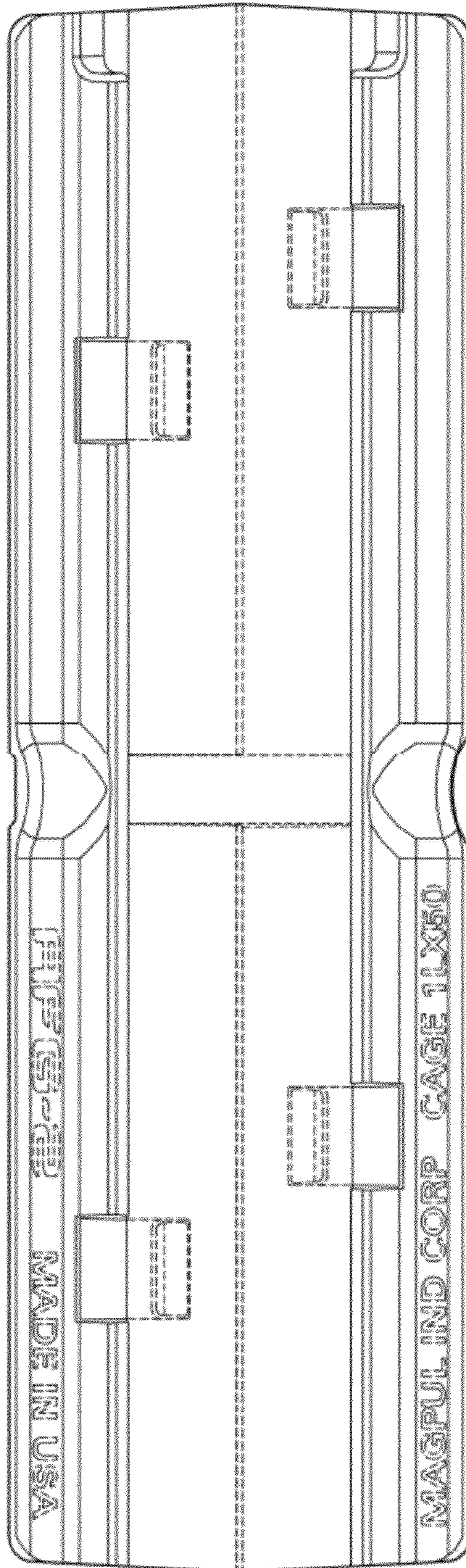


FIG. 7

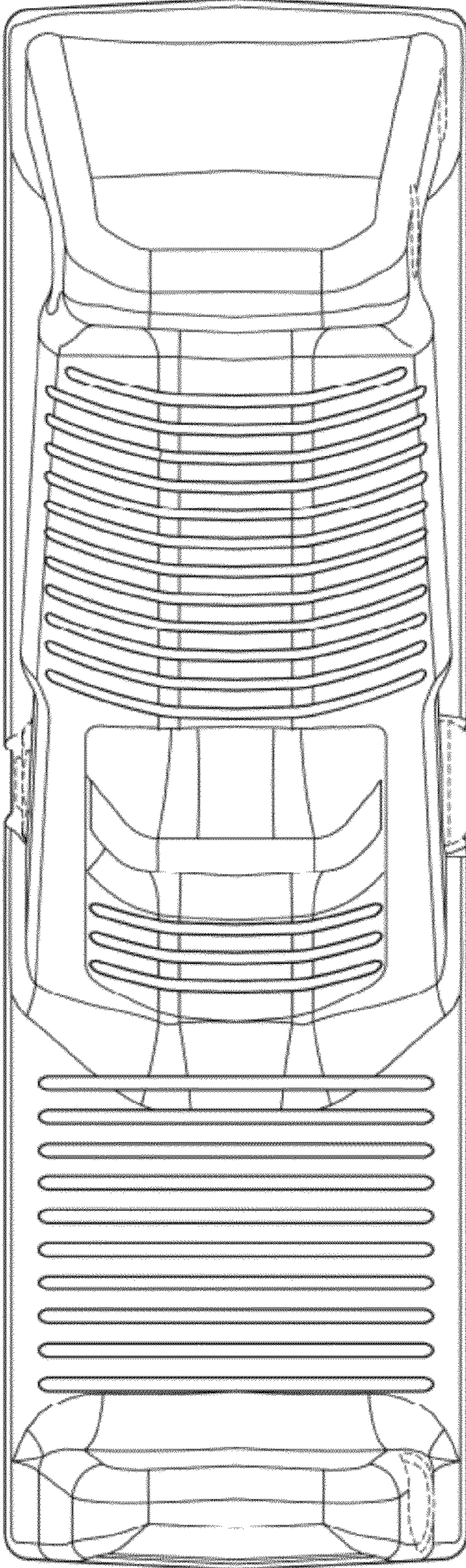


FIG. 8