

US00D665042S

(12) **United States Design Patent**  
**Kellgren**

(10) **Patent No.:** **US D665,042 S**

(45) **Date of Patent:** **\*\* Aug. 7, 2012**

(54) **FIREARM**

(76) Inventor: **George Kellgren**, Cocoa, FL (US)

(\*\*) Term: **14 Years**

(21) Appl. No.: **29/379,458**

(22) Filed: **Nov. 19, 2010**

(51) **LOC (9) Cl.** ..... **22-01**

(52) **U.S. Cl.** ..... **D22/103**

(58) **Field of Classification Search** ..... D22/100,  
D22/101, 103, 104, 108, 199; D21/572,  
D21/573; 42/51, 71.01, 75.01, 75.02, 90,  
42/94, 134, 136, 139, 125, 72, 111; 362/110;  
89/40.06, 41.19, 37.04, 33.04, 191.01, 200-204;  
124/67, 66, 72, 74

See application file for complete search history.

(56) **References Cited**

U.S. PATENT DOCUMENTS

1,343,444	A	6/1920	Formby	
1,481,042	A	1/1924	Walther	
2,094,577	A	10/1937	Brewer	
2,271,576	A	2/1942	Wilcox	
2,333,677	A	11/1943	Roemer	
2,704,491	A	3/1955	Prola	
2,765,557	A	10/1956	Roper	
2,871,603	A	2/1959	Wild	
3,003,274	A	10/1961	Morse	
3,172,222	A	3/1965	Vartanian	
3,213,558	A	10/1965	Horsrud	
3,488,488	A *	1/1970	Crouch	42/146
3,665,631	A	5/1972	Domian	
4,527,459	A	7/1985	Childers	
4,676,137	A *	6/1987	Stockton et al.	89/33.02
4,677,781	A *	7/1987	Lee	42/70.01
5,367,810	A	11/1994	Stead	
6,389,947	B1	5/2002	Murello	
6,397,721	B1	6/2002	Murello	

7,380,361 B2 6/2008 Hajjar  
D611,111 S \* 3/2010 Hajjar et al. .... D22/103  
2008/0121096 A1 5/2008 Hajjar

\* cited by examiner

*Primary Examiner* — Michael A Pratt

(74) *Attorney, Agent, or Firm* — Brian S. Steinberger; Law Offices of Brian S. Steinberger, P.A.

(57) **CLAIM**

The ornamental design for a firearm, as shown and described.

**DESCRIPTION**

FIG. 1 is an upper front left perspective view of the novel firearm.

FIG. 2 is an upper front right perspective view of the firearm of FIG. 1.

FIG. 3 is a lower front left perspective view of the firearm of FIG. 1.

FIG. 4 is a lower front right perspective view of the firearm of FIG. 1.

FIG. 5 is an upper rear right perspective view of the firearm of FIG. 1.

FIG. 6 is an upper rear left perspective view of the firearm of FIG. 1.

FIG. 7 is a lower rear right perspective view of the firearm of FIG. 1.

FIG. 8 is a lower rear left perspective view of the firearm of FIG. 1.

FIG. 9 is a front side view of the firearm of FIG. 1.

FIG. 10 is a rear side view of the firearm of FIG. 1.

FIG. 11 is a top side view of the firearm of FIG. 1.

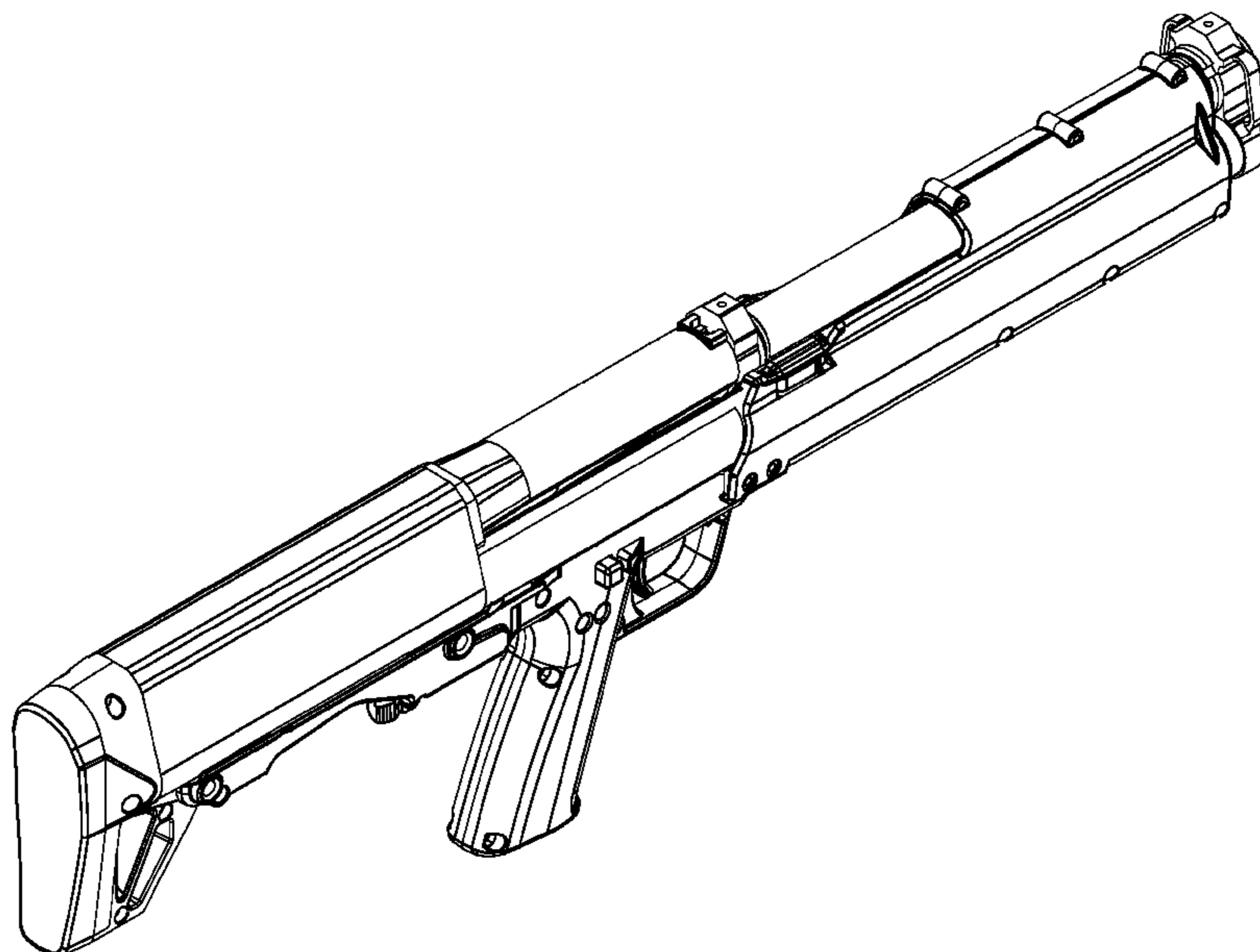
FIG. 12 is a bottom side view of the firearm of FIG. 1.

FIG. 13 is a right end barrel side view of the firearm of FIG. 1; and,

FIG. 14 is a left end butt side view of the firearm of FIG. 1.

The broken lines in FIGS. 1-14 are for illustrative purposes and form no part of the claimed design.

**1 Claim, 14 Drawing Sheets**



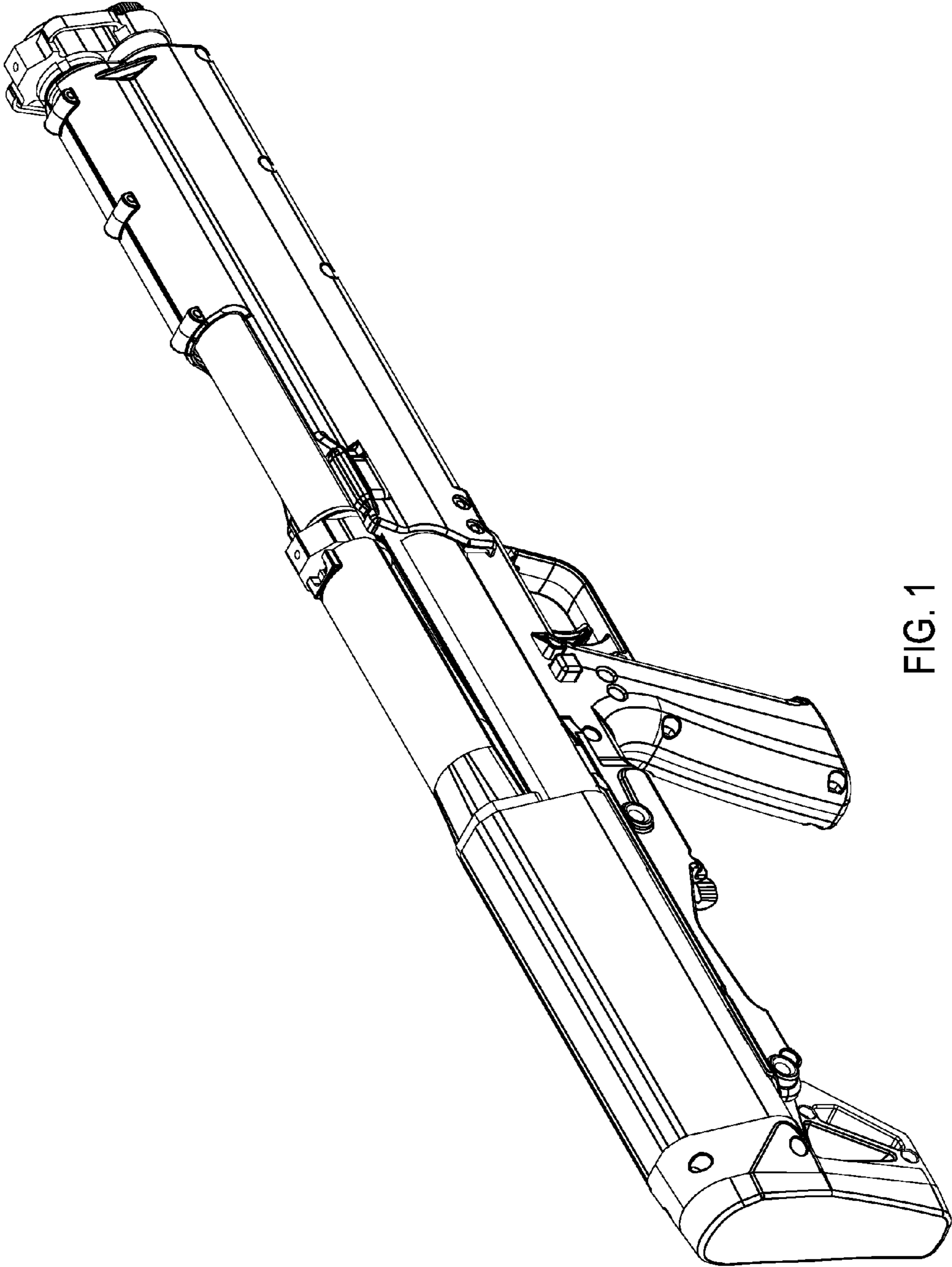


FIG. 1

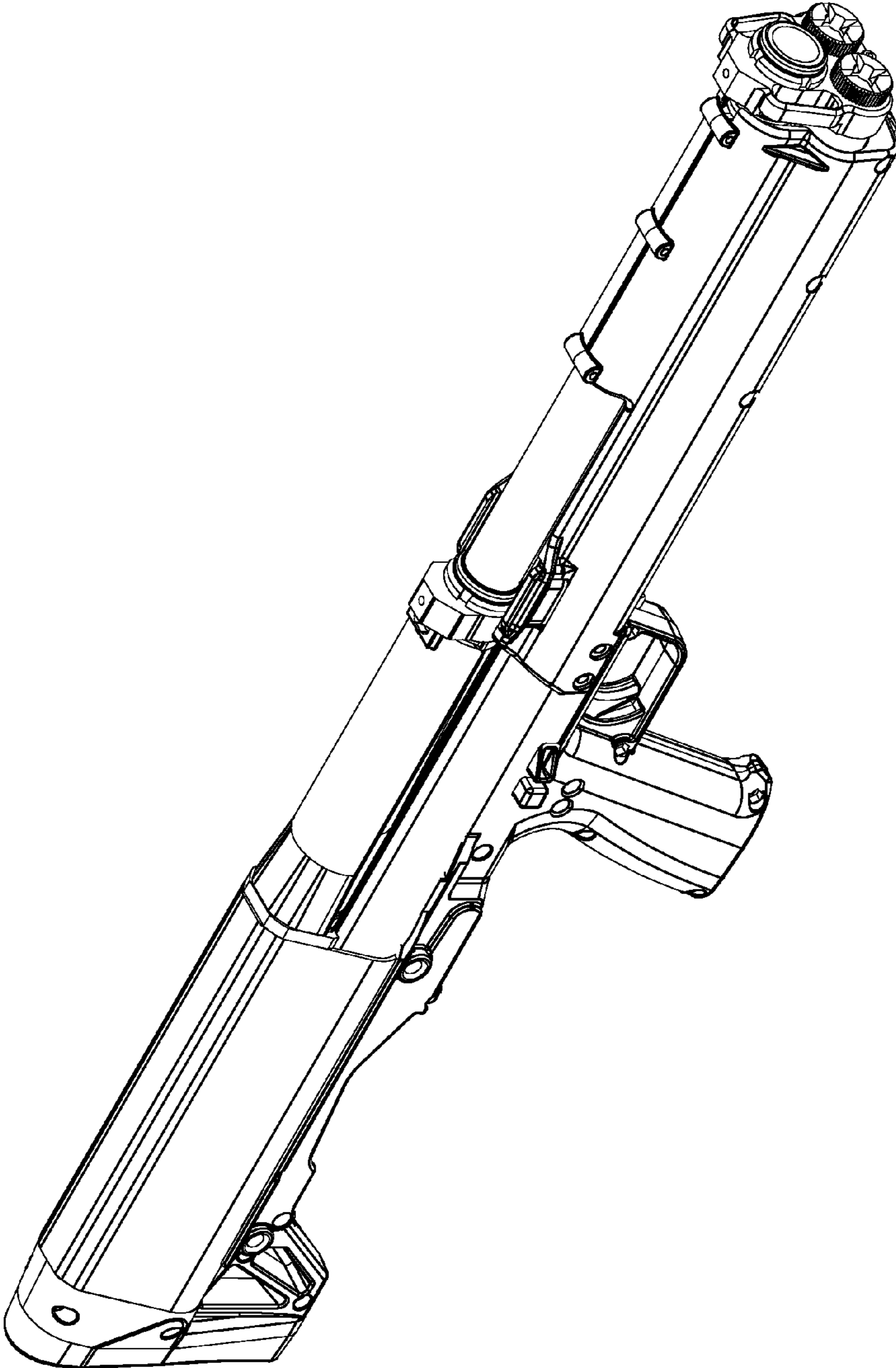


FIG. 2



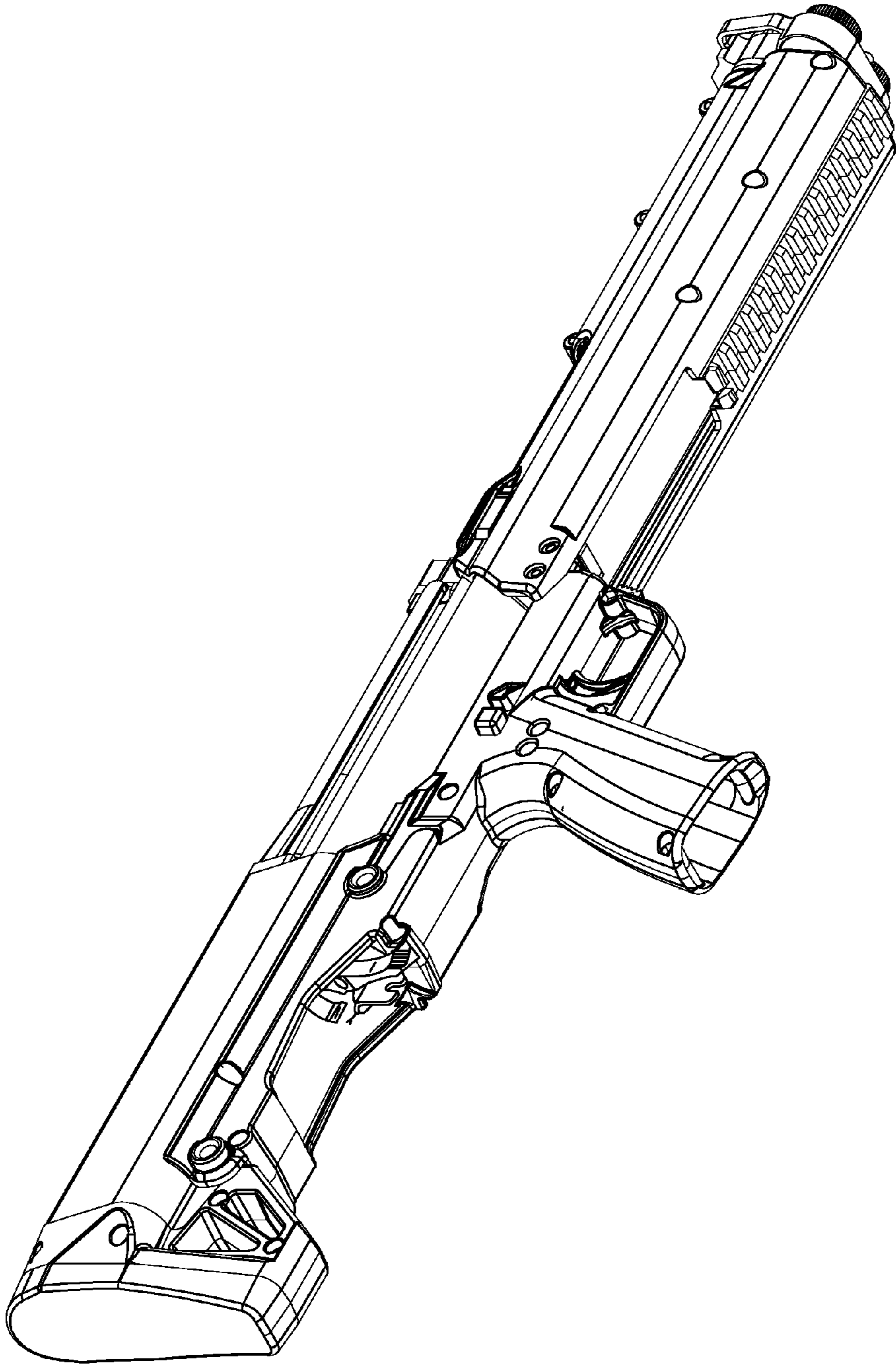


FIG. 3

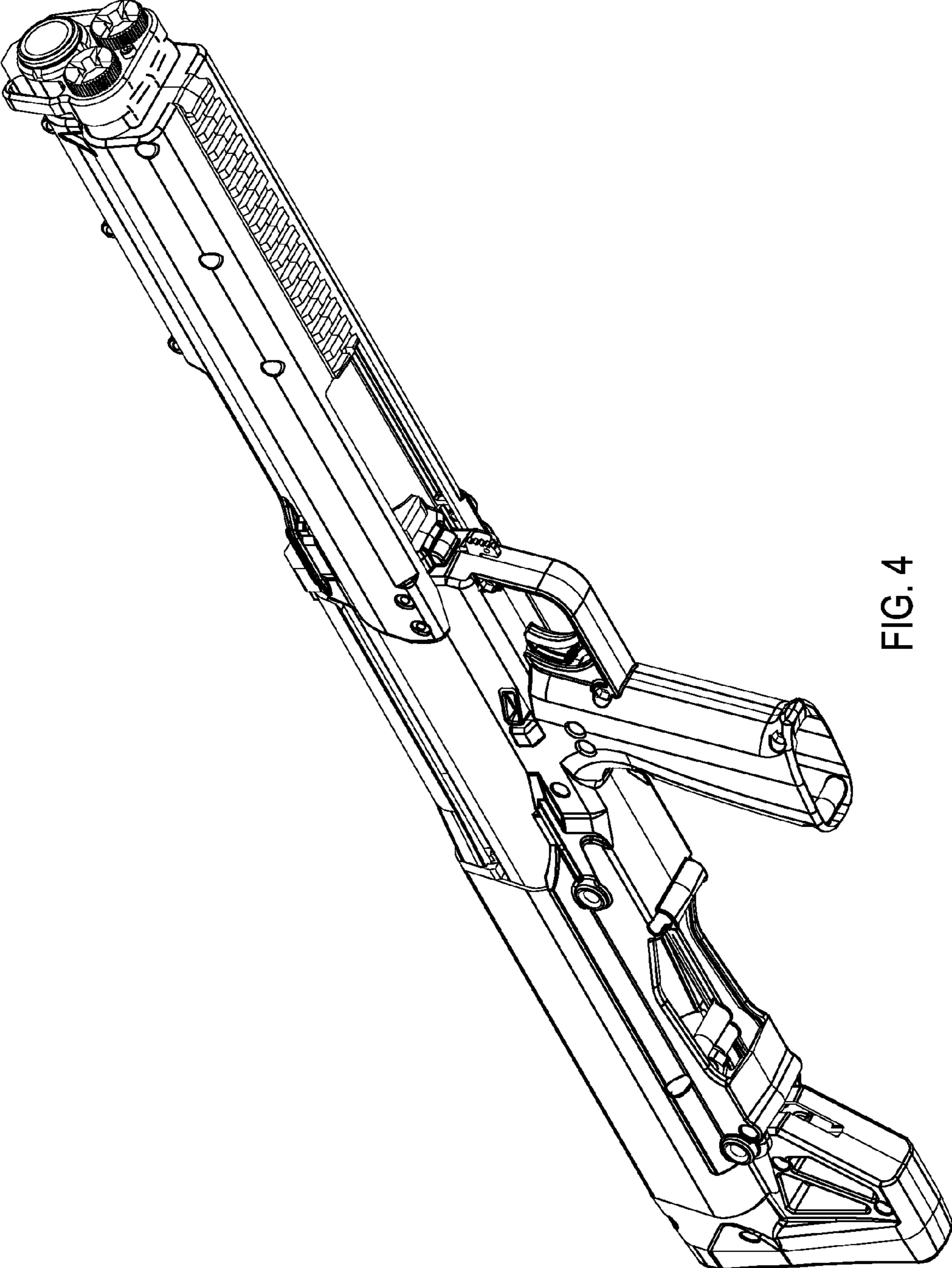


FIG. 4

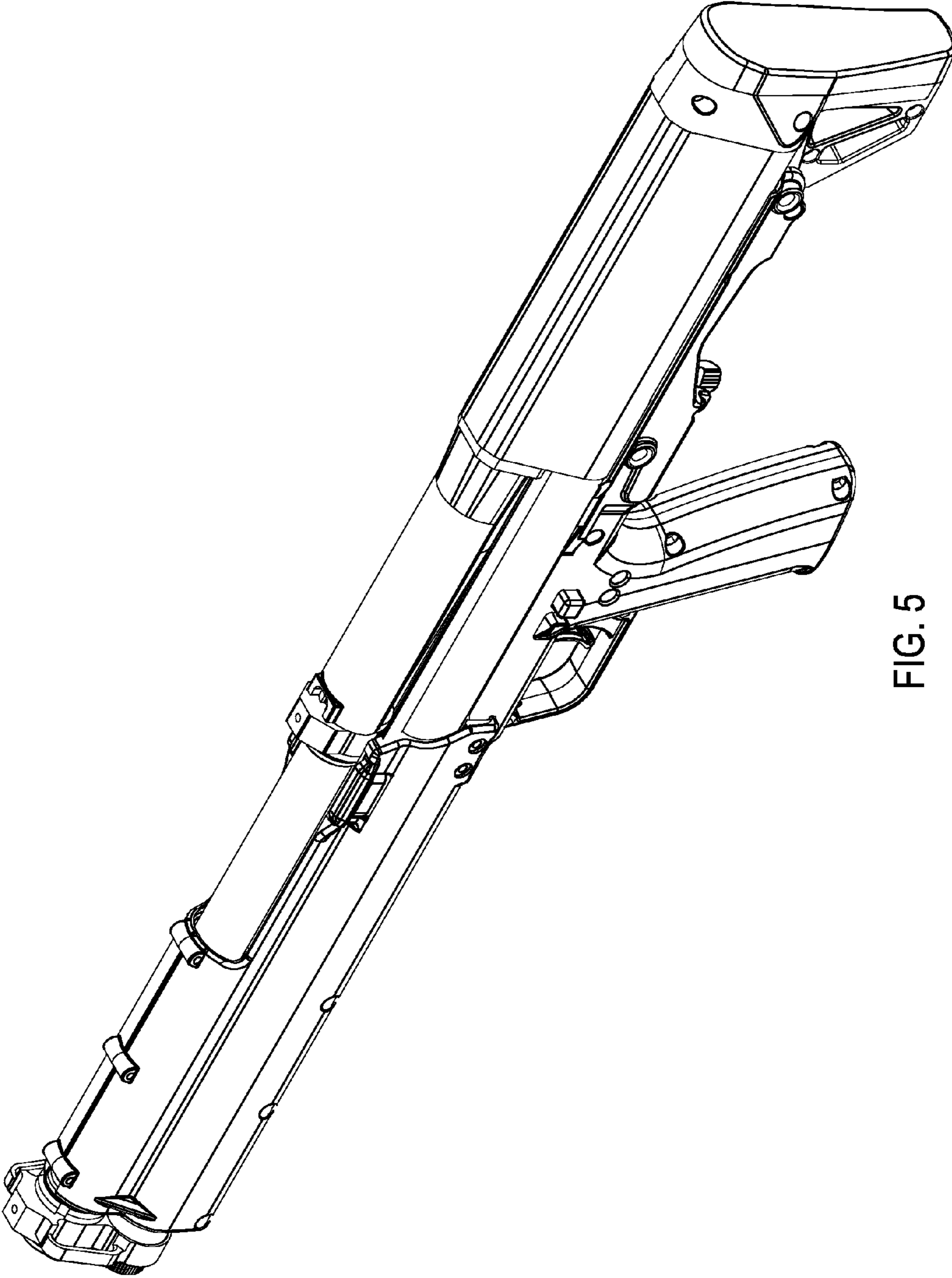


FIG. 5

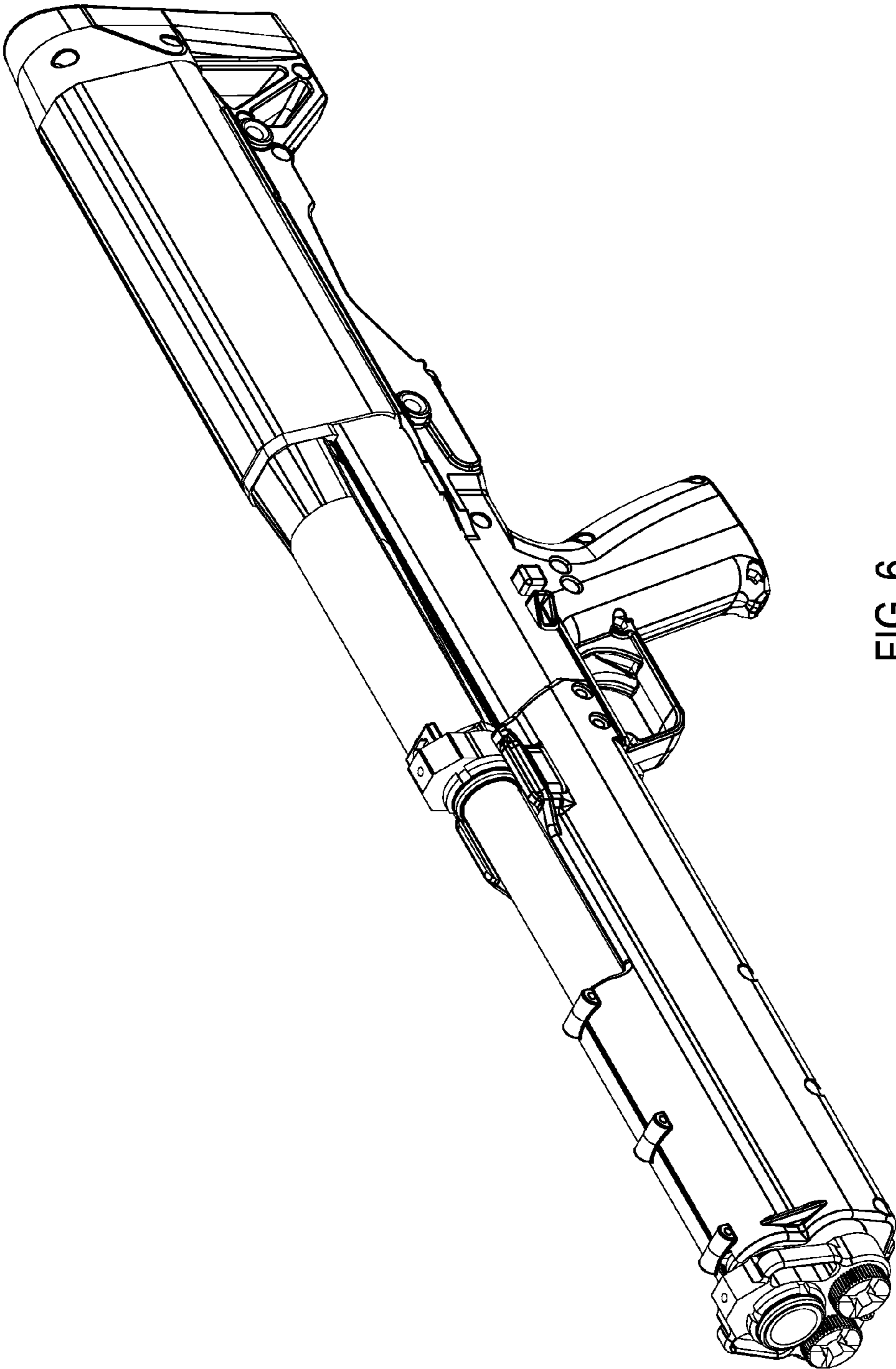


FIG. 6



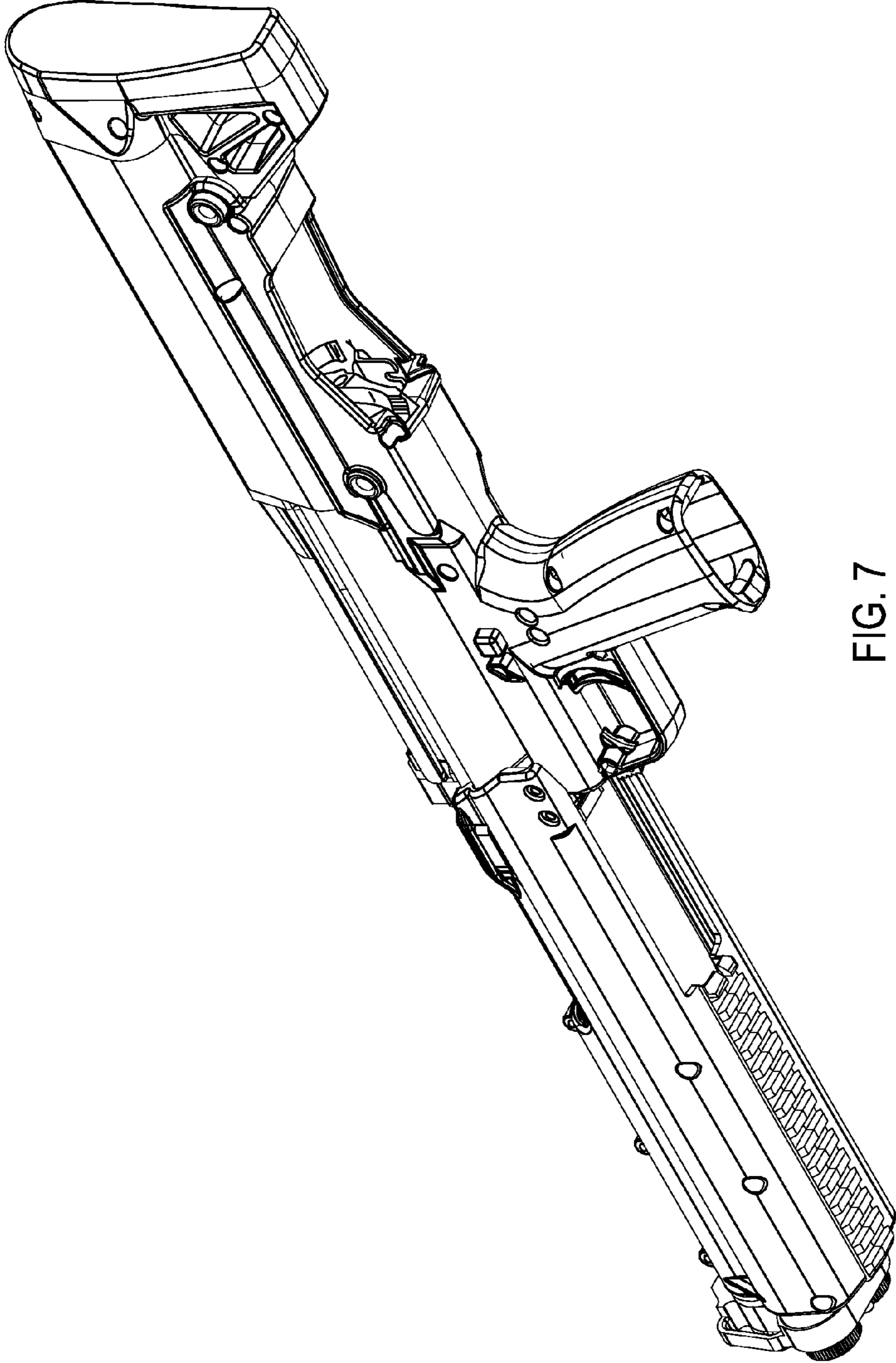


FIG. 7



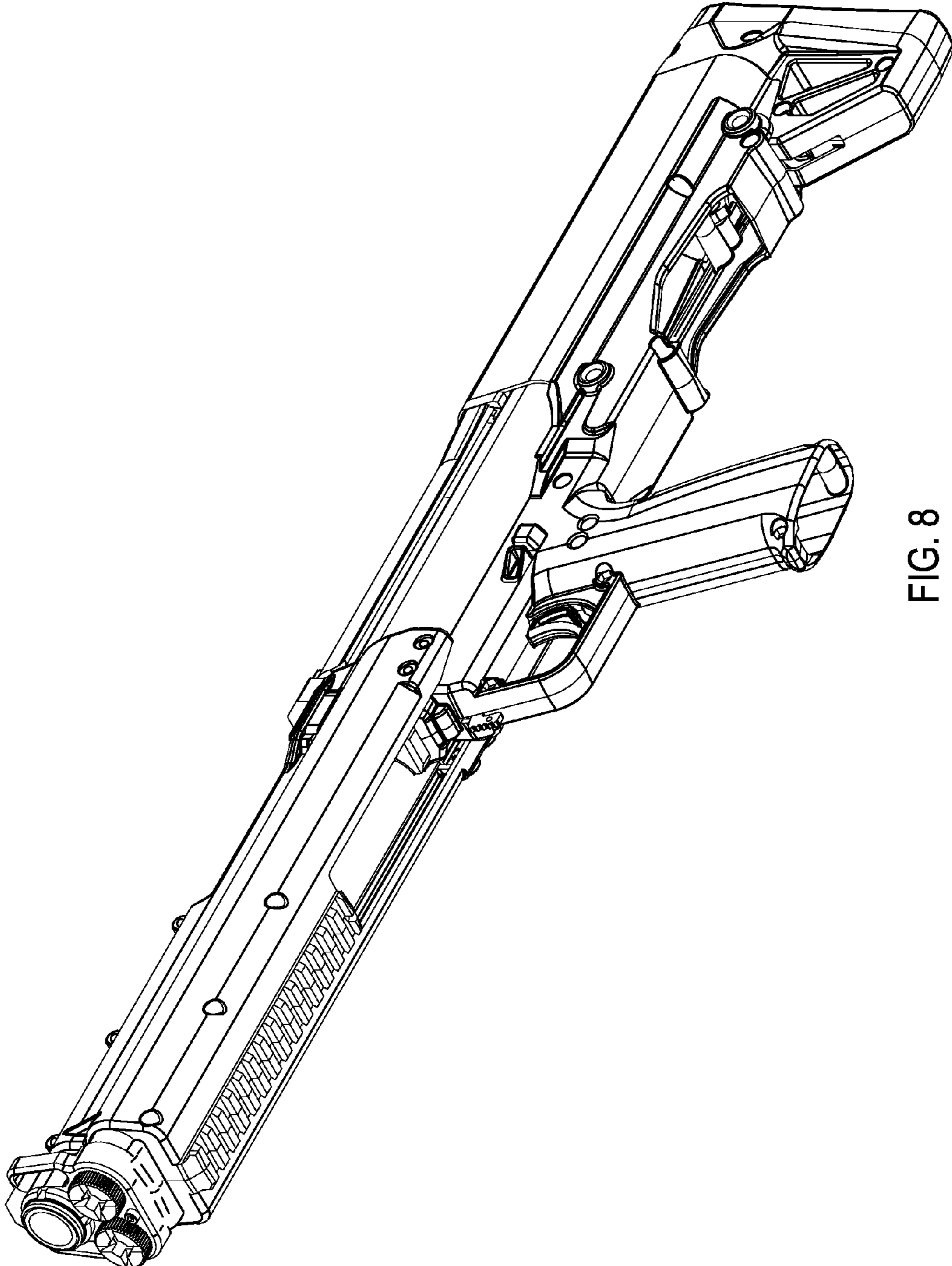


FIG. 8

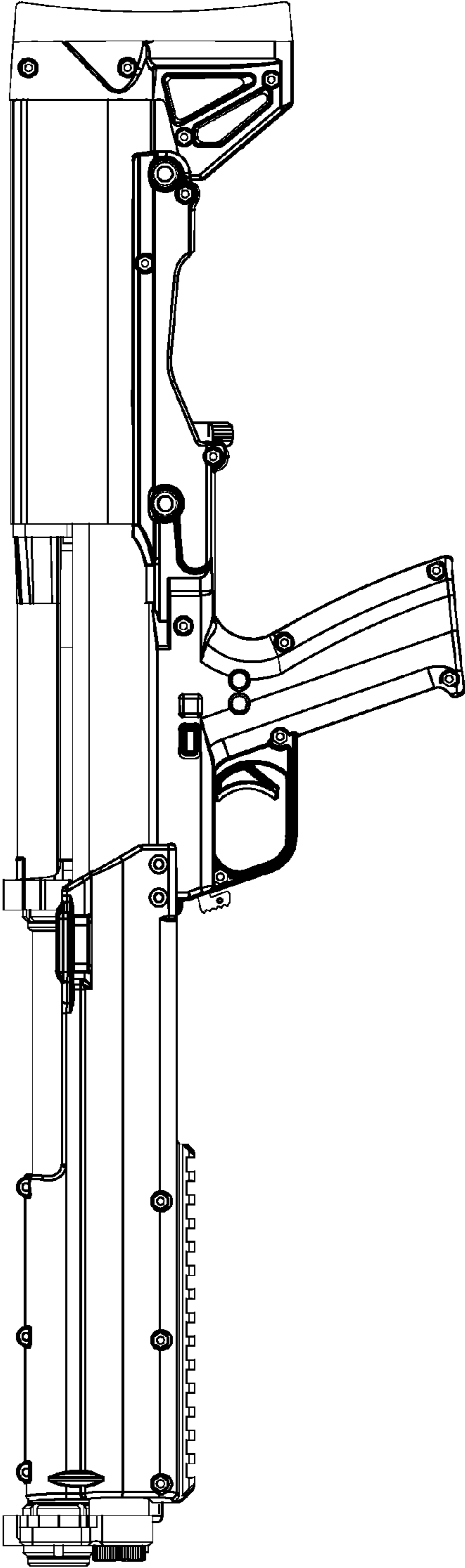


FIG. 9

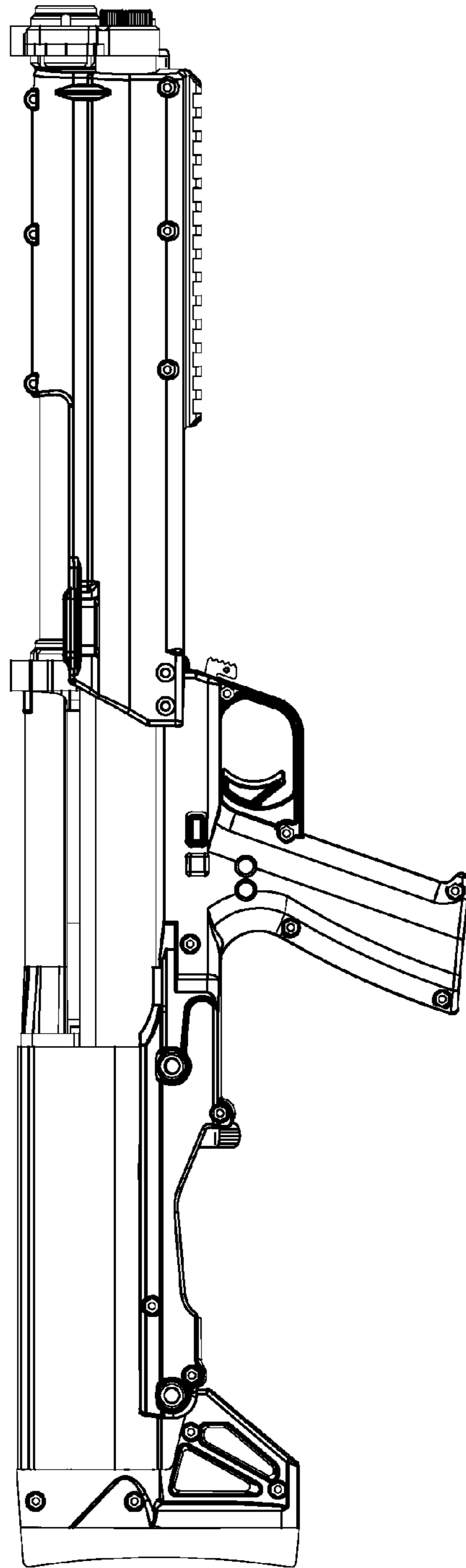


FIG. 10



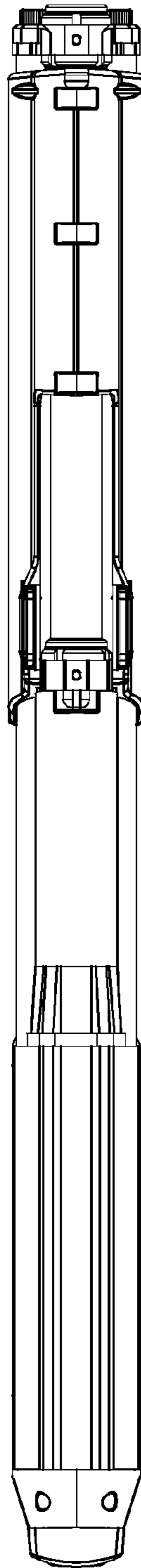


FIG. 11

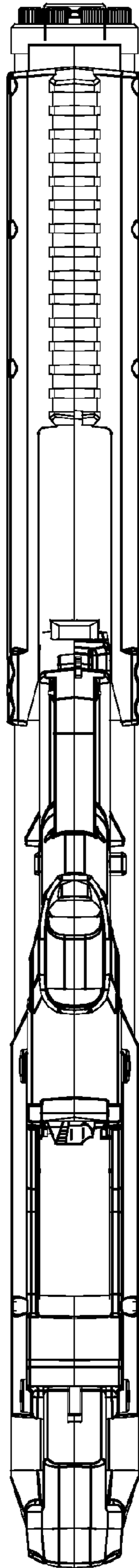


FIG. 12

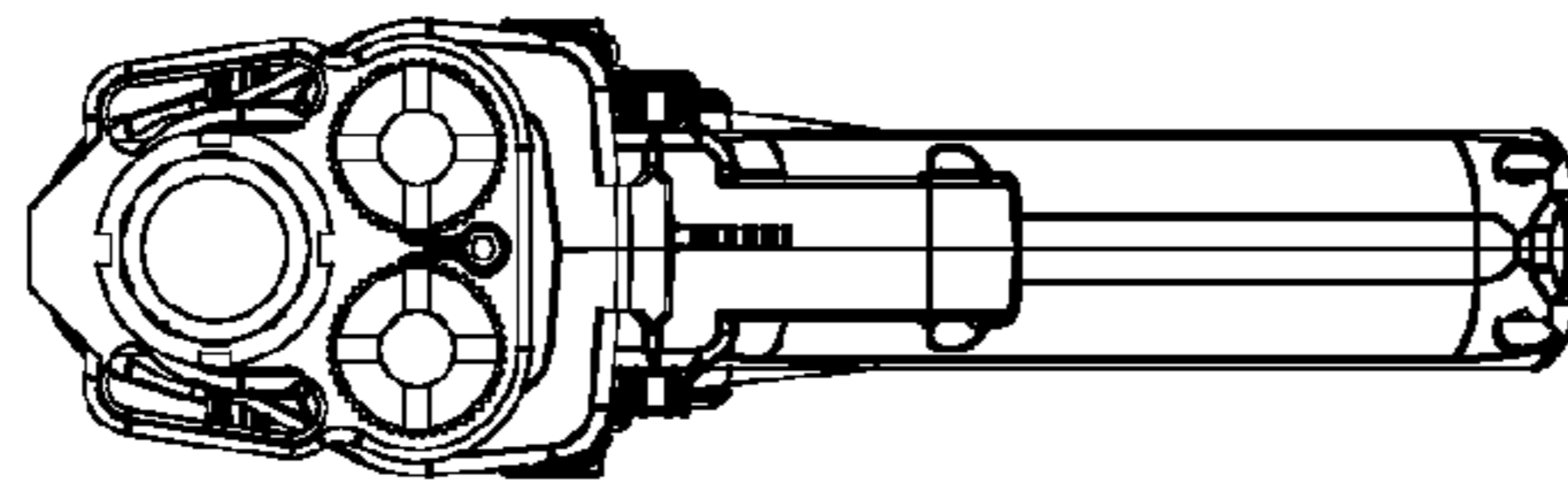


FIG. 13



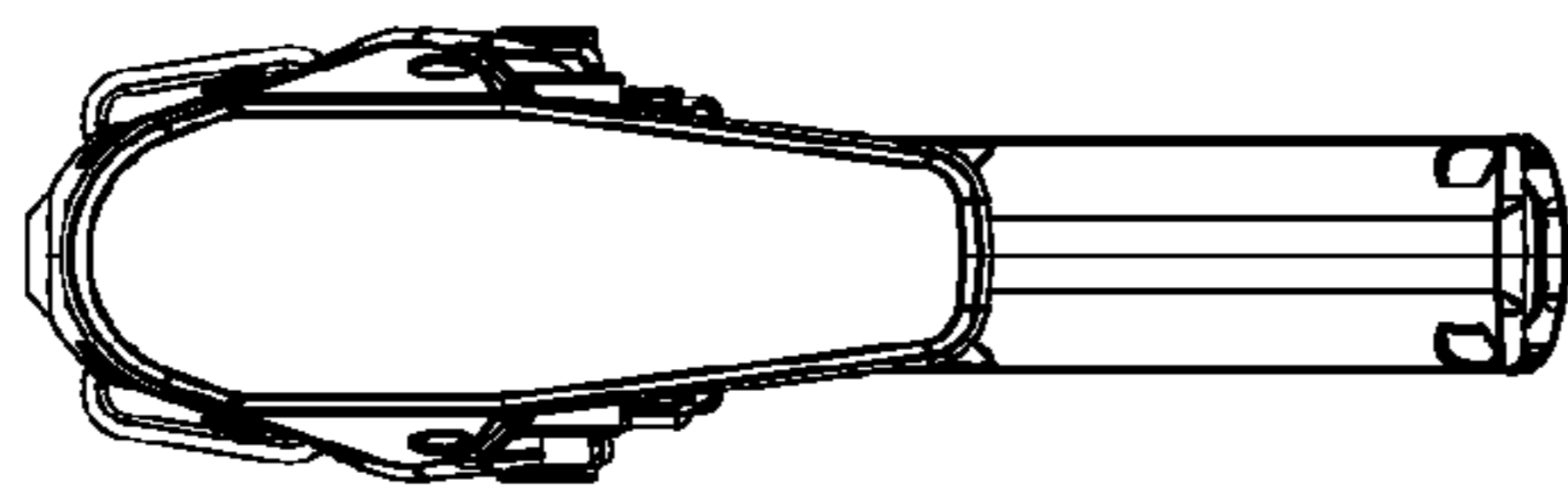


FIG. 14