



US00D665037S

(12) **United States Design Patent**  
**Mead**

(10) **Patent No.:** **US D665,037 S**

(45) **Date of Patent:** **\*\* Aug. 7, 2012**

(54) **TOY GUN**

(75) **Inventor:** **Raymond Aaron Mead**, Pawtucket, RI (US)

(73) **Assignee:** **Hasbro, Inc.**, Pawtucket, RI (US)

(\*\*) **Term:** **14 Years**

(21) **Appl. No.:** **29/355,203**

(22) **Filed:** **Feb. 4, 2010**

(51) **LOC (9) Cl.** ..... **21-01**

(52) **U.S. Cl.** ..... **D21/573**

(58) **Field of Classification Search** ..... D21/333,  
D21/401, 461, 567, 568, 570-575; D14/418;  
D22/100, 101, 104, 105, 108-110; 124/16,  
124/26, 27, 28, 29, 54, 73-77; 222/78, 79;  
42/54, 57, 58; 446/23, 182, 192, 401, 403,  
446/405-407, 473, 475  
See application file for complete search history.

6,564,788	B1	5/2003	Hu	
D512,117	S *	11/2005	Murello et al.	D22/103
D516,660	S *	3/2006	Murello et al.	D22/103
D517,152	S *	3/2006	Murello et al.	D22/103
D517,637	S *	3/2006	Murello et al.	D22/103
7,100,592	B1	9/2006	Yang	
7,114,493	B2	10/2006	Marsac	
7,156,085	B2	1/2007	Lewis et al.	
7,191,775	B1	3/2007	Lo	
7,458,371	B2	12/2008	Ong et al.	
D584,373	S *	1/2009	Young	D22/103
D606,614	S *	12/2009	Fitzpatrick et al.	D22/103
D638,887	S *	5/2011	En	D21/573
D641,825	S *	7/2011	Gridelet	D22/103
D648,811	S *	11/2011	En	D21/573
2008/0078369	A1	4/2008	Yeung	

\* cited by examiner

*Primary Examiner* — Cynthia M Chin

(74) *Attorney, Agent, or Firm* — Perry Hoffman

(57) **CLAIM**

The ornamental design for a toy gun, as shown and described.

(56) **References Cited**

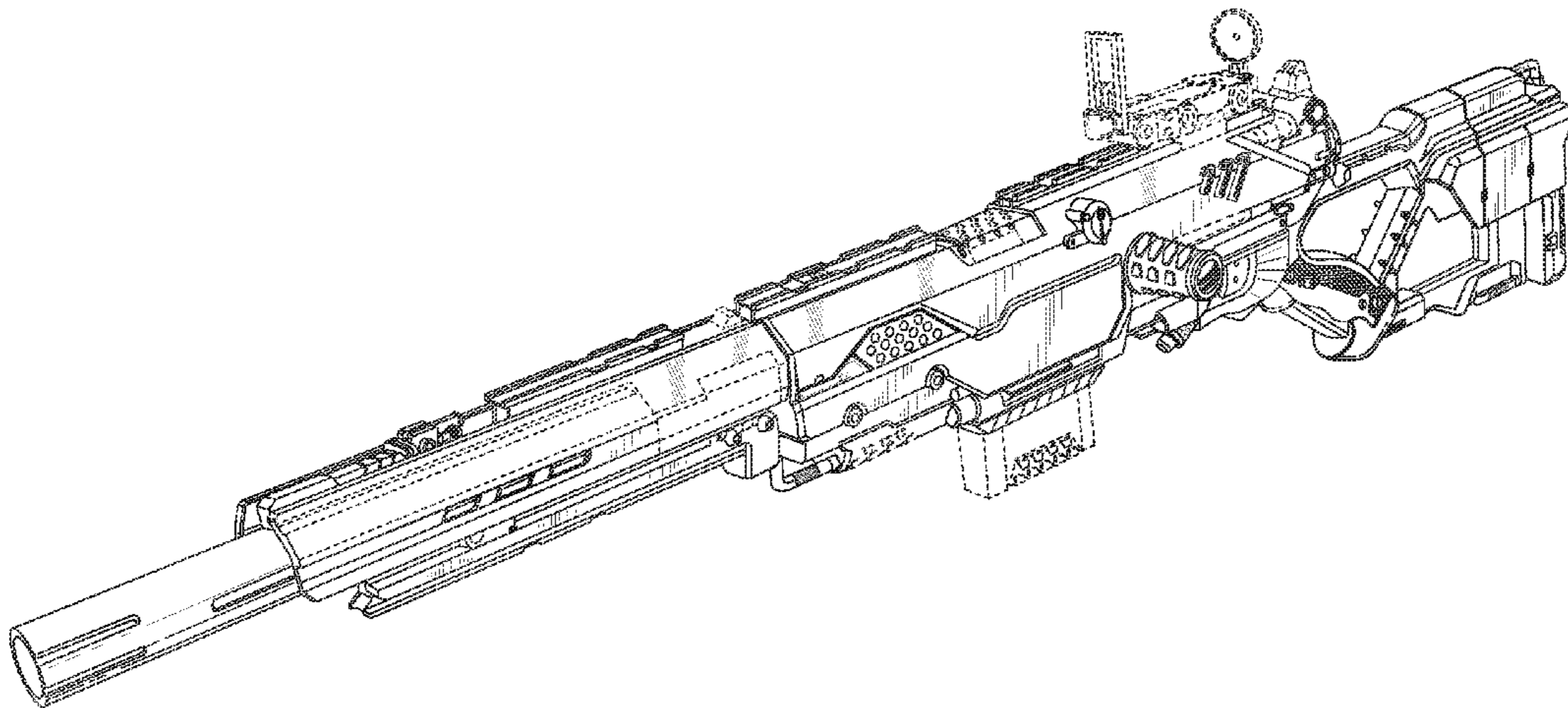
U.S. PATENT DOCUMENTS

D199,854	S *	12/1964	Constan	D21/573
4,843,751	A	7/1989	Ferri	
5,186,156	A	2/1993	Clayton	
5,323,755	A	6/1994	Hsieh	
D354,999	S *	1/1995	Arad	D21/573
5,522,374	A	6/1996	Clayton	
5,529,050	A	6/1996	D'Andrade	
5,531,210	A	7/1996	Meiser et al.	
5,680,853	A	10/1997	Clayton	
5,787,869	A	8/1998	Johnson et al.	
5,791,326	A	8/1998	Brown et al.	
D429,308	S *	8/2000	Guhring	D22/103
6,250,294	B1	6/2001	Lim	
6,439,216	B1	8/2002	Johnson et al.	

**DESCRIPTION**

FIG. 1 is an enlarged perspective view of the toy gun of the instant invention;  
FIG. 2 is a left side elevational view thereof;  
FIG. 3 is a right side elevational view thereof;  
FIG. 4 is a top end view thereof;  
FIG. 5 is a bottom end view thereof;  
FIG. 6 is a front elevation view thereof; and,  
FIG. 7 is a rear elevation view thereof.  
The broken lines shown are included for the purpose of illustrating the unclaimed portions of the article that form no part of the claimed design.

**1 Claim, 4 Drawing Sheets**



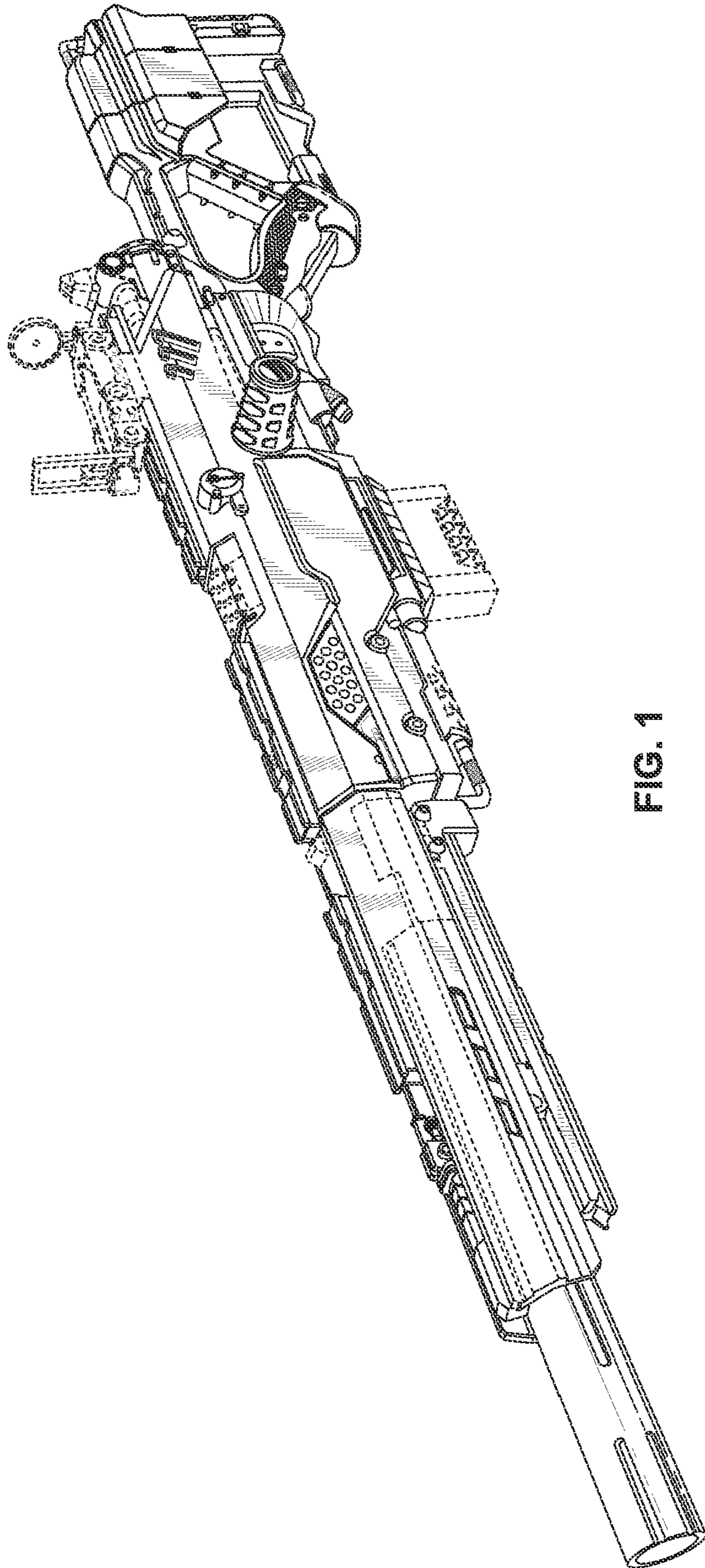


FIG. 1

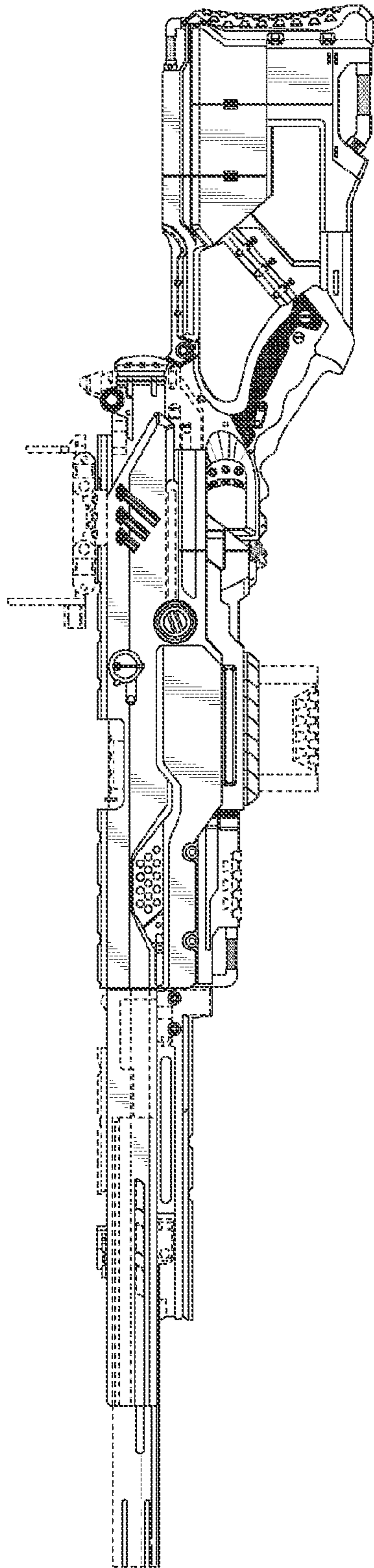


FIG. 2

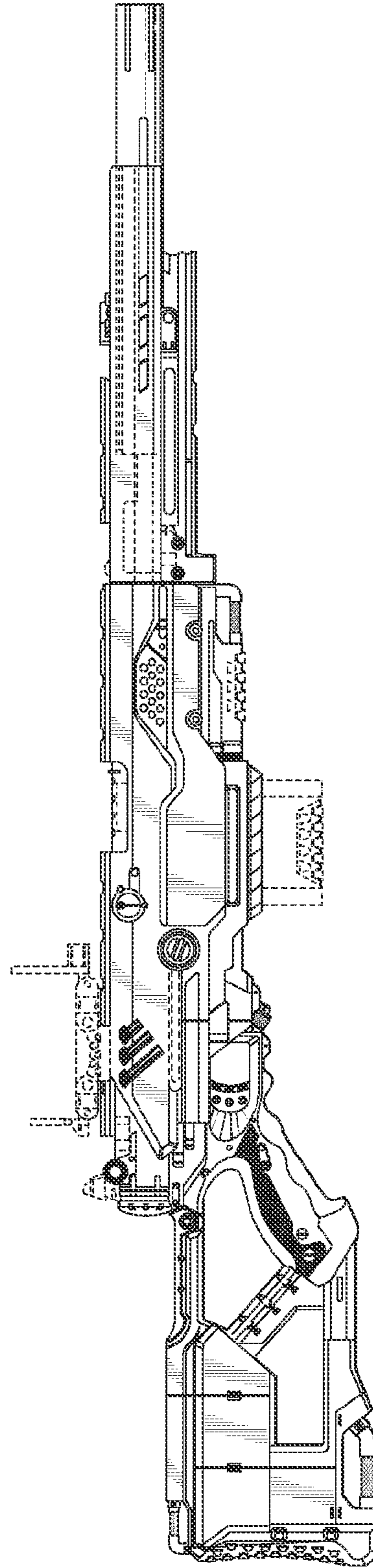


FIG. 3

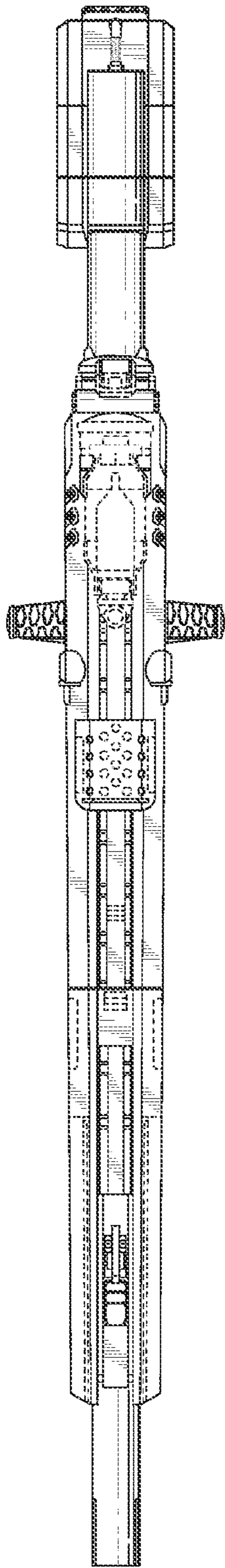


FIG. 4

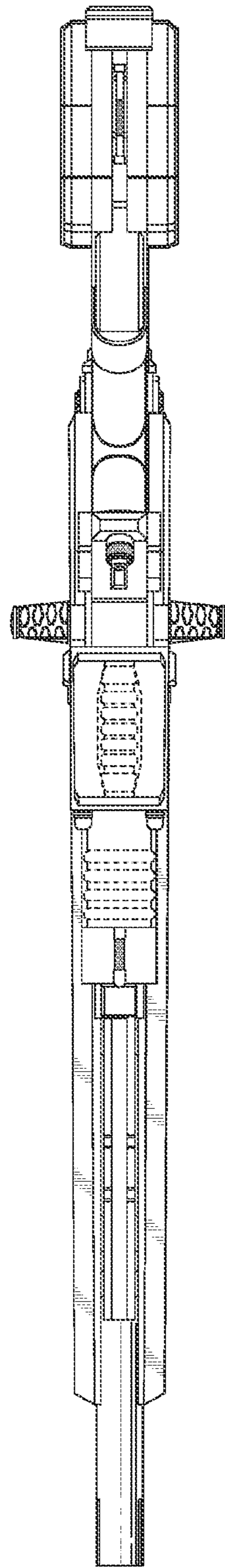


FIG. 5

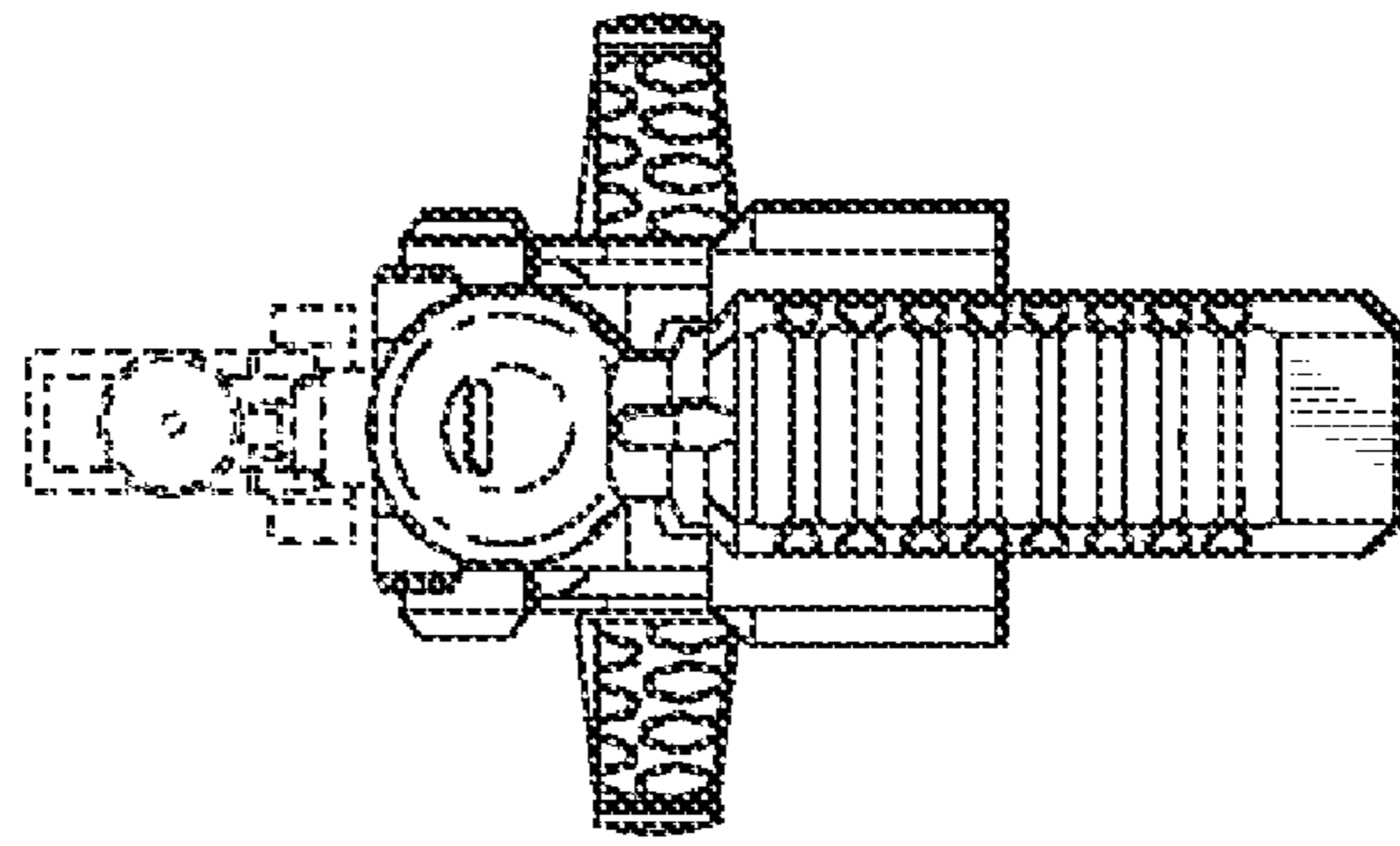


FIG. 7

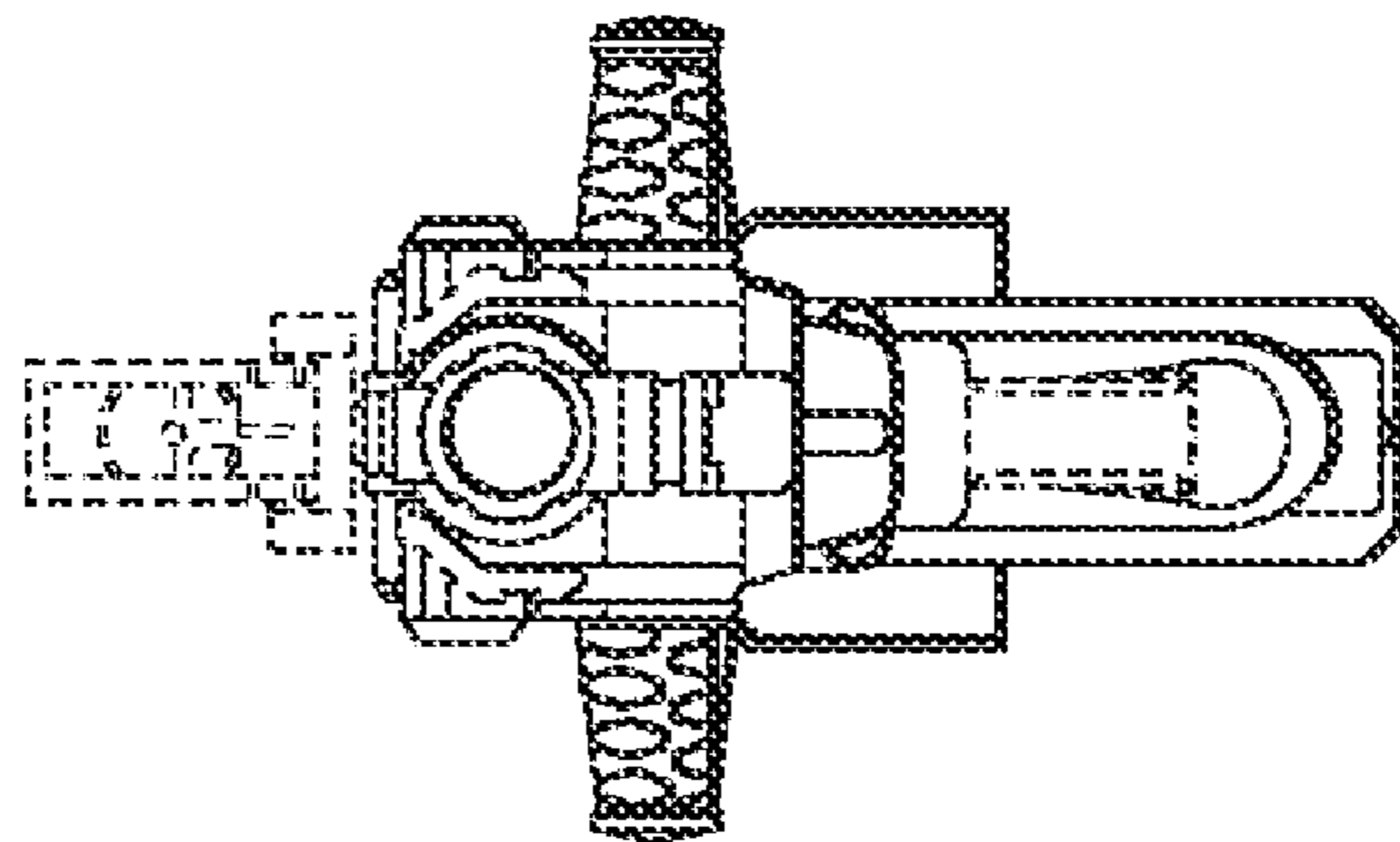


FIG. 6