



US00D665035S

(12) **United States Design Patent**  
**Grossman**

(10) **Patent No.:** **US D665,035 S**

(45) **Date of Patent:** **\*\* Aug. 7, 2012**

(54) **SCOOTER**

(75) Inventor: **Martin Grossman**, Glasgow (GB)

(73) Assignee: **H. Grossman Limited** (GB)

(\*\*) Term: **14 Years**

(21) Appl. No.: **29/409,376**

(22) Filed: **Dec. 22, 2011**

(30) **Foreign Application Priority Data**

Jun. 22, 2011	(EM)	001881780-001
Jun. 22, 2011	(EM)	001881780-002
Jun. 22, 2011	(EM)	001881780-003
Jun. 22, 2011	(EM)	001881780-004
Jun. 22, 2011	(EM)	001881780-005
Jun. 22, 2011	(EM)	001881780-006
Jun. 22, 2011	(GB)	1110509.5

(51) **LOC (9) Cl.** ..... **21-01**

(52) **U.S. Cl.** ..... **D21/423**

(58) **Field of Classification Search** ..... D21/419,  
D21/421, 423, 426-428, 435, 668-671, 760,  
D21/765, 771; D12/1, 8, 108, 112, 113;  
280/8, 14.21, 14.25, 14.26, 87.041, 87.042,  
280/200, 214, 220, 221, 239, 263, 288.1,  
280/288.2, 288.4, 809; 180/180, 181

See application file for complete search history.

(56) **References Cited**

U.S. PATENT DOCUMENTS

D276,828	S	*	12/1984	Sampson	.....	D21/423
D390,281	S	*	2/1998	O'Rourke	.....	D21/423
D456,858	S	*	5/2002	Huntsberger	.....	D21/433
D460,788	S	*	7/2002	Kwok	.....	D21/423
D475,093	S	*	5/2003	Furter et al.	.....	D21/423
D564,037	S	*	3/2008	Cramer et al.	.....	D21/423
D571,863	S	*	6/2008	On	.....	D21/424
D580,500	S	*	11/2008	Hong	.....	D21/423
D589,851	S	*	4/2009	Jane Santamaria	.....	D12/130
D631,102	S	*	1/2011	Jessie, Jr.	.....	D21/424

\* cited by examiner

*Primary Examiner* — Cynthia M Chin

(74) *Attorney, Agent, or Firm* — Tarolli, Sundheim, Covell & Tummino LLP

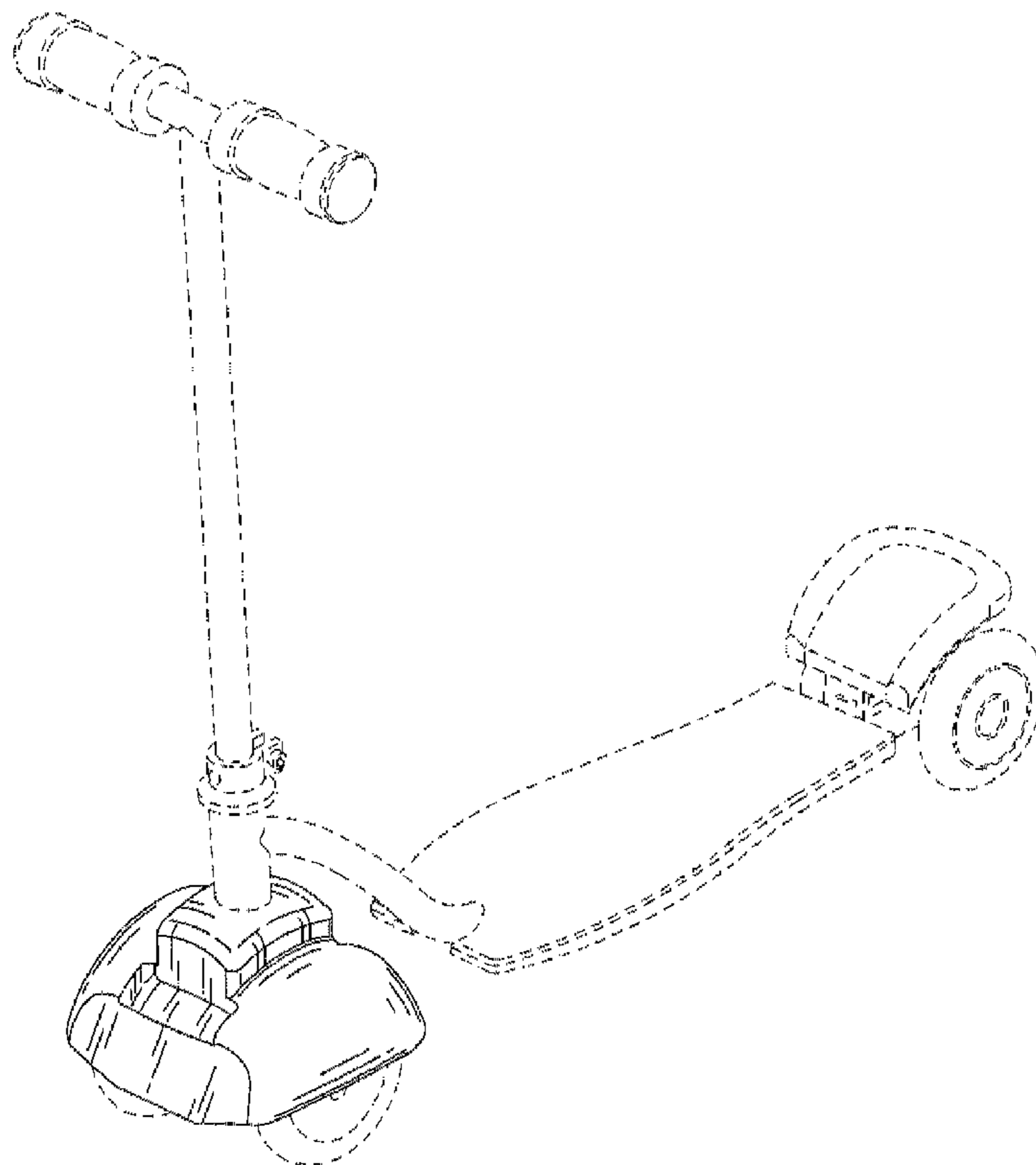
(57) **CLAIM**

The ornamental design for a scooter, as shown and described.

**DESCRIPTION**

FIG. 1 is a perspective view of a scooter;  
FIG. 2 is a front elevation view thereof;  
FIG. 3 is a first side elevation view thereof; and,  
FIG. 4 is a second side elevation view thereof.  
The broken and dashed lines shown are for environmental purposes only and form no part of the claimed design.

**1 Claim, 4 Drawing Sheets**



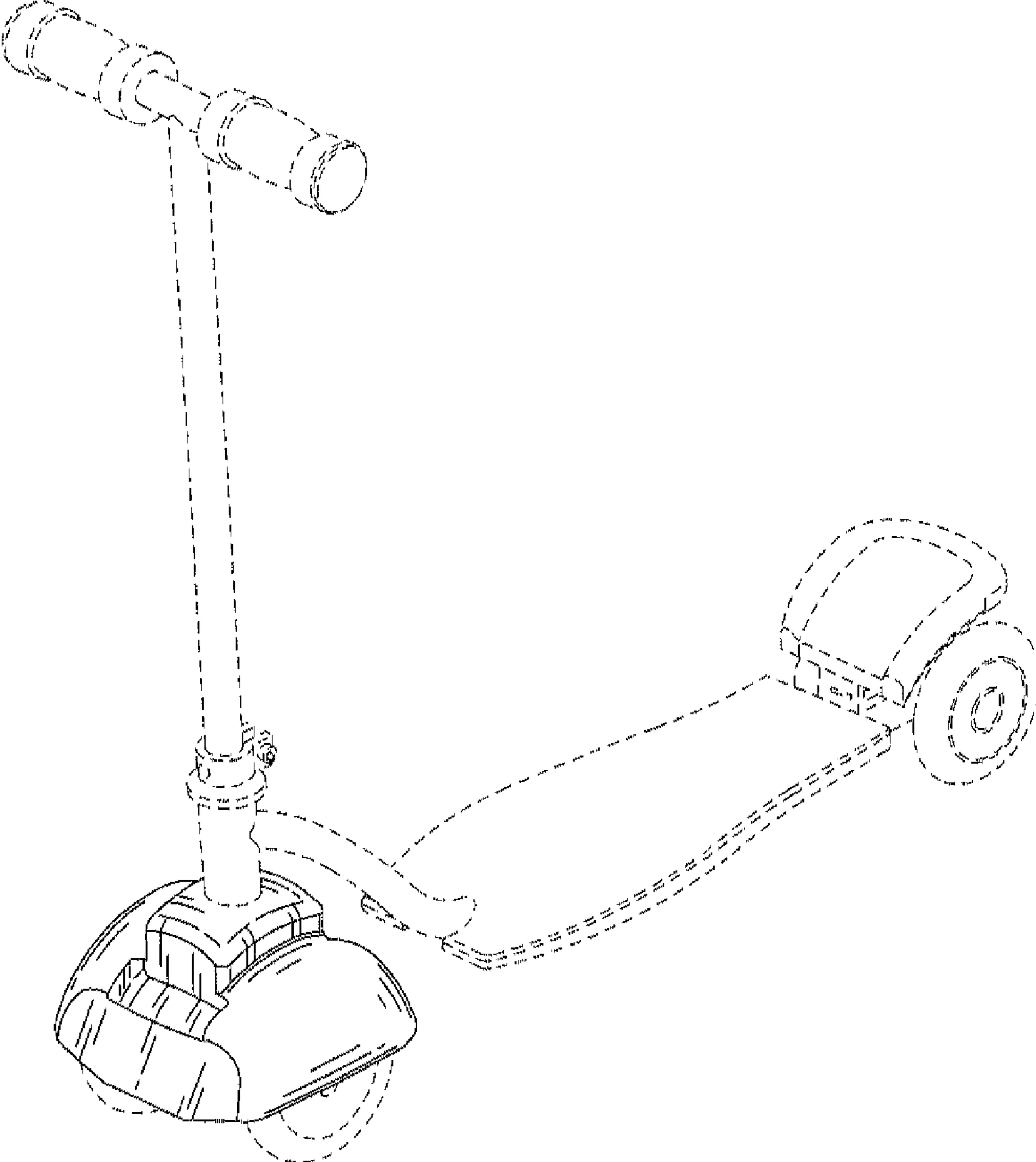


FIG. 1

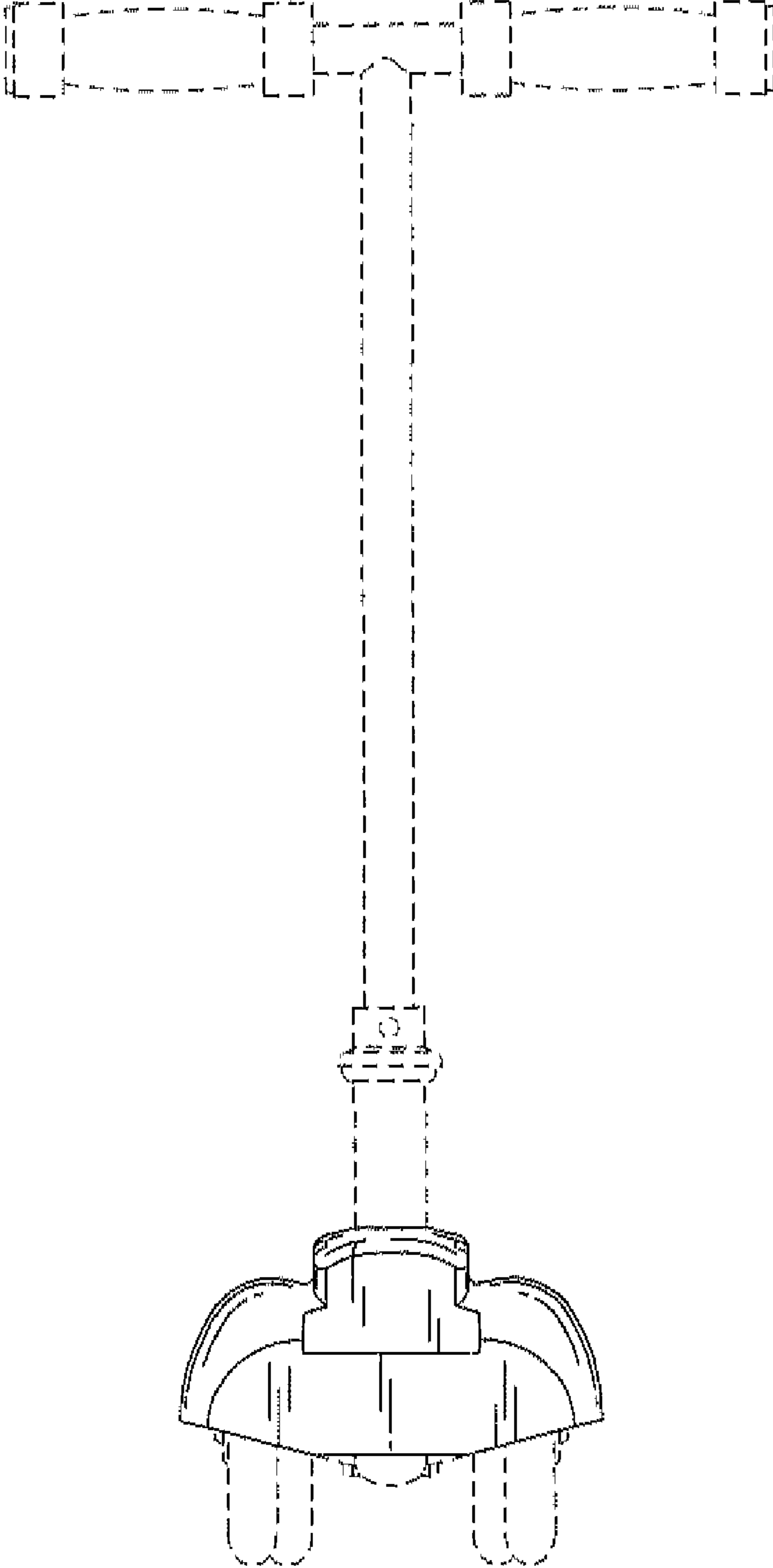


FIG. 2

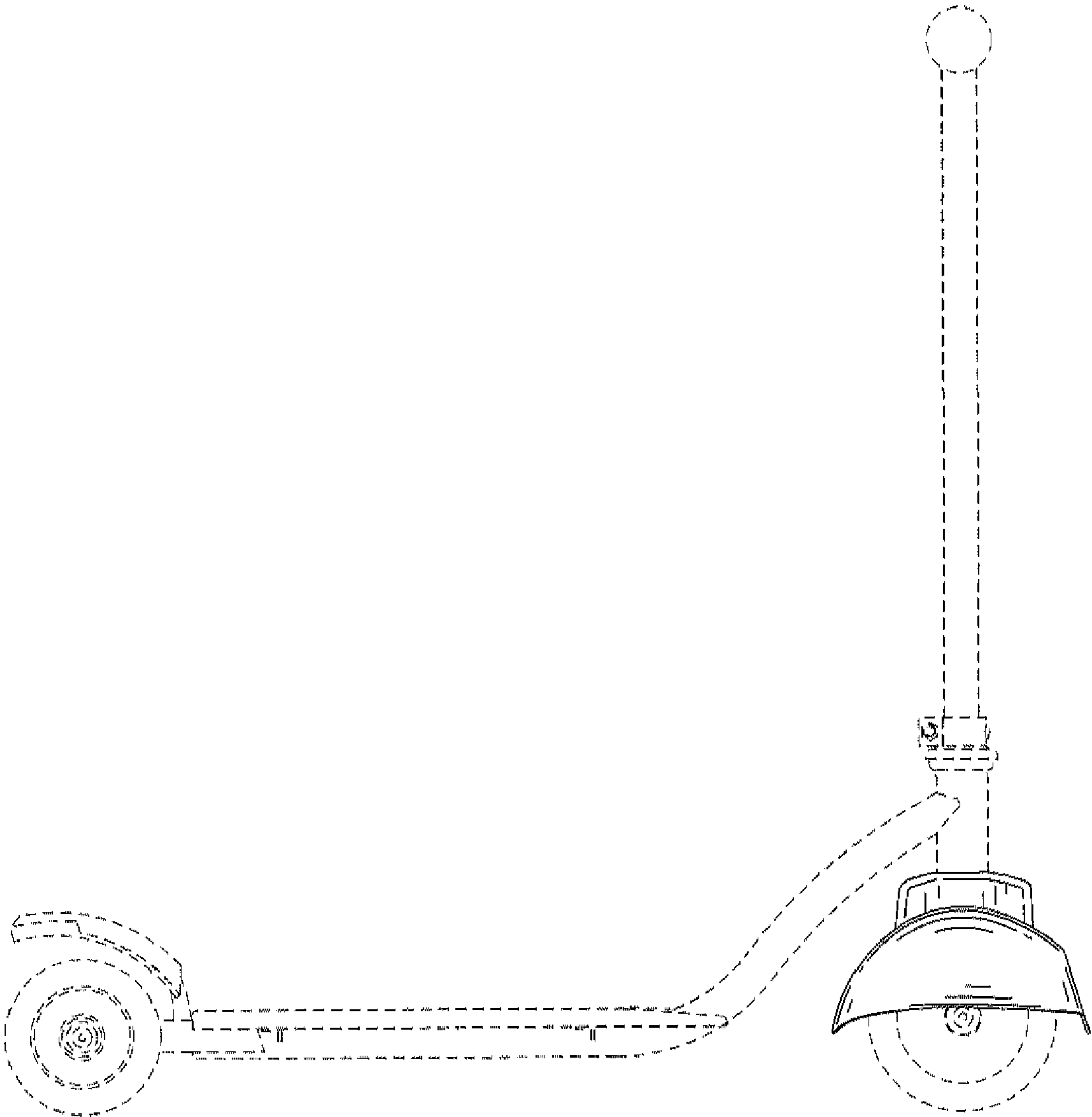


FIG. 3

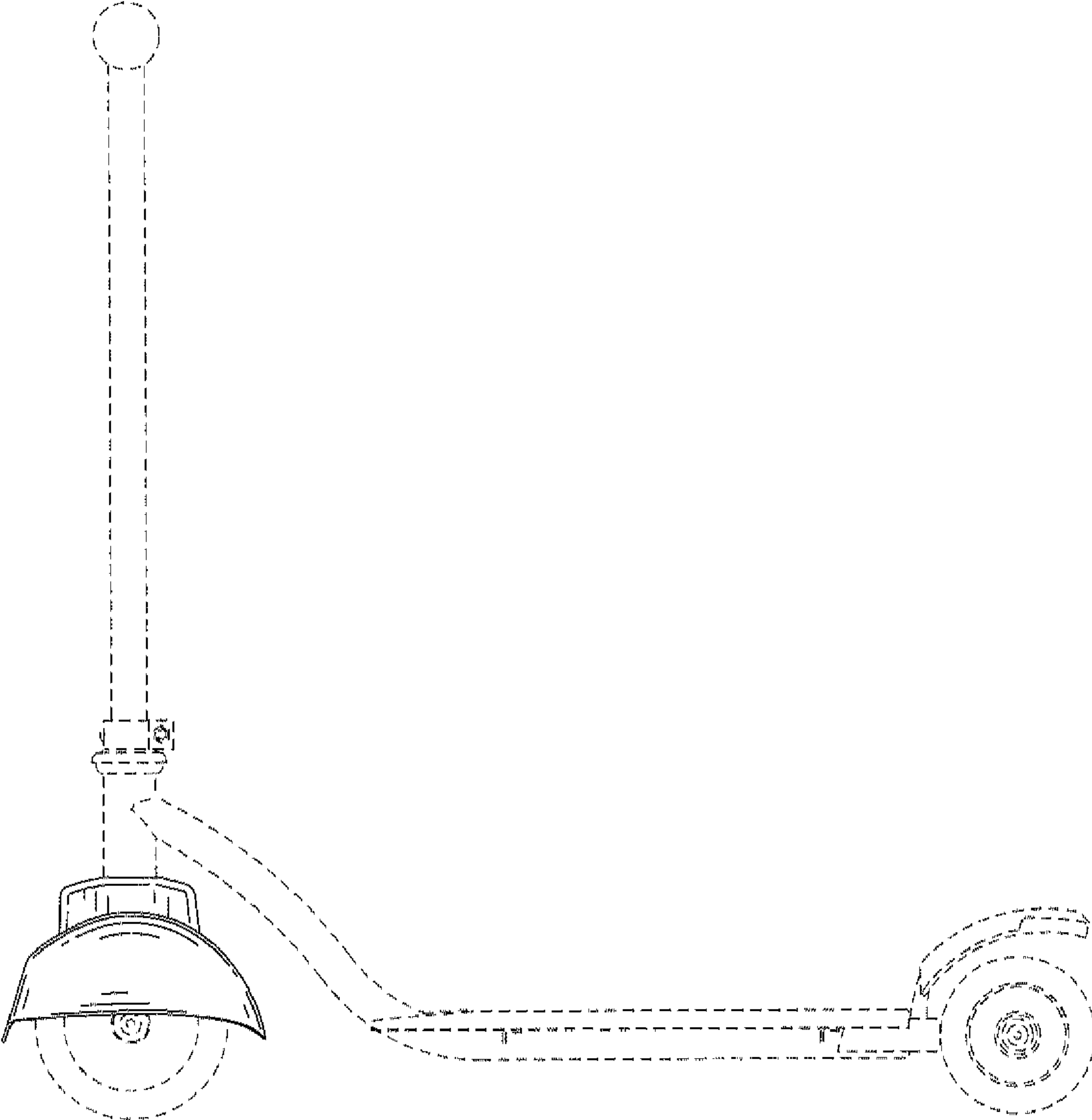


FIG. 4