



US00D665034S

(12) **United States Design Patent**
Grossman

(10) **Patent No.:** **US D665,034 S**

(45) **Date of Patent:** **** Aug. 7, 2012**

(54) **SCOOTER**

(56) **References Cited**

(75) Inventor: **Martin Grossman**, Glasgow (GB)

U.S. PATENT DOCUMENTS

(73) Assignee: **H. Grossman Limited** (GB)

D253,710	S	*	12/1979	Nakao et al.	D21/428
4,261,588	A	*	4/1981	Kassai	280/87.021
D265,219	S	*	6/1982	Kassai	D21/428
D267,258	S	*	12/1982	Nakao et al.	D21/428
D267,259	S	*	12/1982	Nakao et al.	D21/428
D272,551	S	*	2/1984	Nakao et al.	D21/428
D282,088	S	*	1/1986	Kroll et al.	D21/428
D293,329	S	*	12/1987	Nakao et al.	D21/428
D302,707	S	*	8/1989	Nakao et al.	D21/428
D307,772	S	*	5/1990	Takahashi et al.	D21/428
D317,334	S	*	6/1991	Takahashi et al.	D21/428
D379,407	S	*	5/1997	Liu	D21/428
D389,533	S	*	1/1998	Maxwell	D21/428

(**) Term: **14 Years**

(21) Appl. No.: **29/409,373**

(22) Filed: **Dec. 22, 2011**

(30) **Foreign Application Priority Data**

Jun. 22, 2011	(EM)	001881780-0001
Jun. 22, 2011	(EM)	001881780-0002
Jun. 22, 2011	(EM)	001881780-0003
Jun. 22, 2011	(EM)	001881780-0004
Jun. 22, 2011	(EM)	001881780-0005
Jun. 22, 2011	(EM)	001881780-0006
Jun. 22, 2011	(GB)	1110509.5

* cited by examiner

Primary Examiner — Cynthia M Chin

(74) *Attorney, Agent, or Firm* — Tarolli, Sundheim, Covell & Tummino LLP

(51) **LOC (9) Cl.** **21-01**

(52) **U.S. Cl.** **D21/423**

(58) **Field of Classification Search** D21/419,
D21/421, 423, 426-428, 435, 668-671, 760,
D21/765, 771; D12/1, 8, 108, 112, 113;
280/8, 14.21, 14.25, 14.26, 87.041, 87.042,
280/200, 214, 220, 221, 239, 263, 288.1,
280/288.2, 288.4, 809; 180/180, 181

See application file for complete search history.

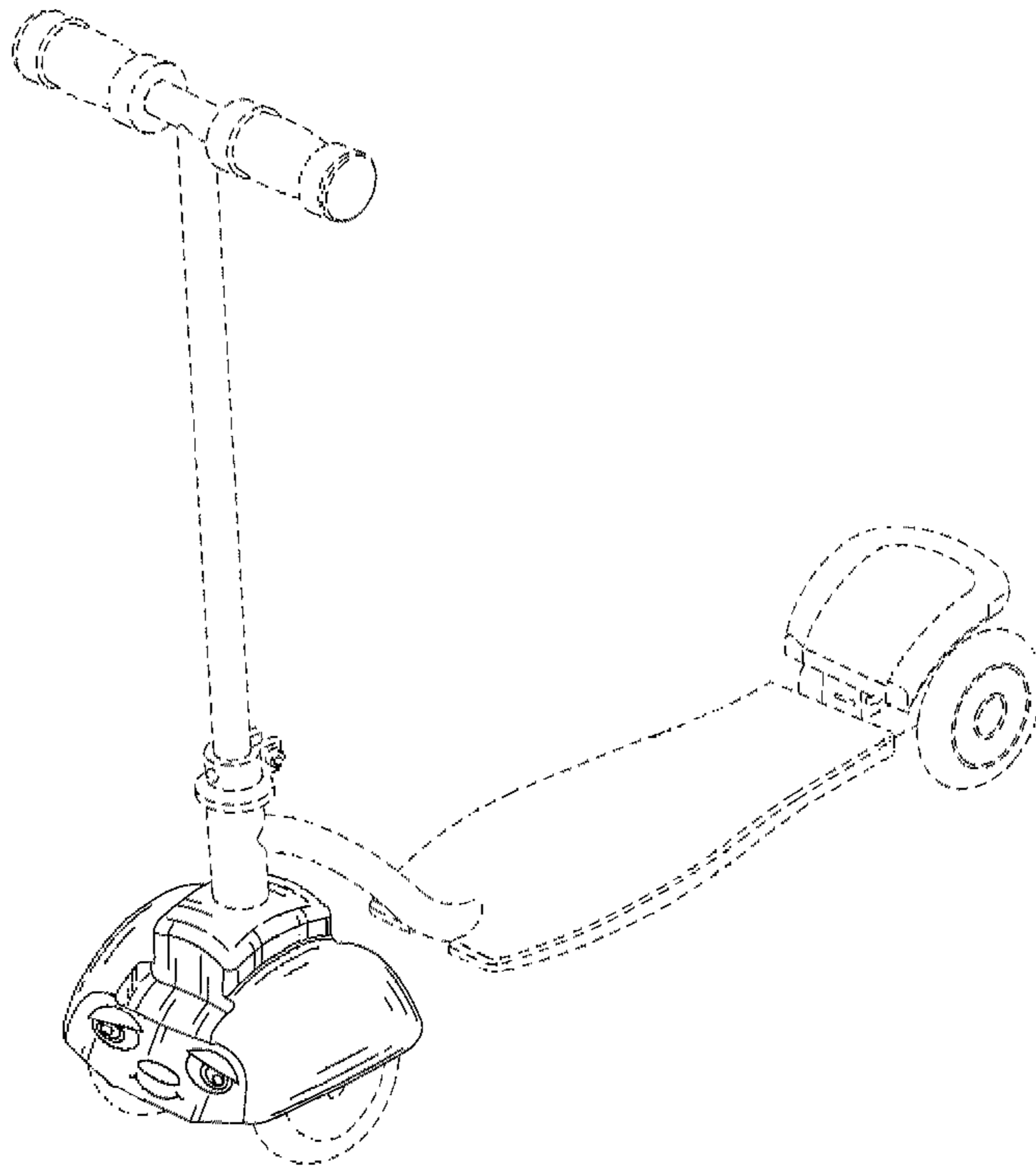
(57) **CLAIM**

The ornamental design for a scooter, as shown and described.

DESCRIPTION

FIG. 1 is a perspective view of a scooter;
FIG. 2 is a front elevation view thereof;
FIG. 3 is a first side elevation view thereof; and,
FIG. 4 is a second side elevation view thereof.
The broken and dashed lines shown are for environmental purposes only and form no part of the claimed design.

1 Claim, 4 Drawing Sheets



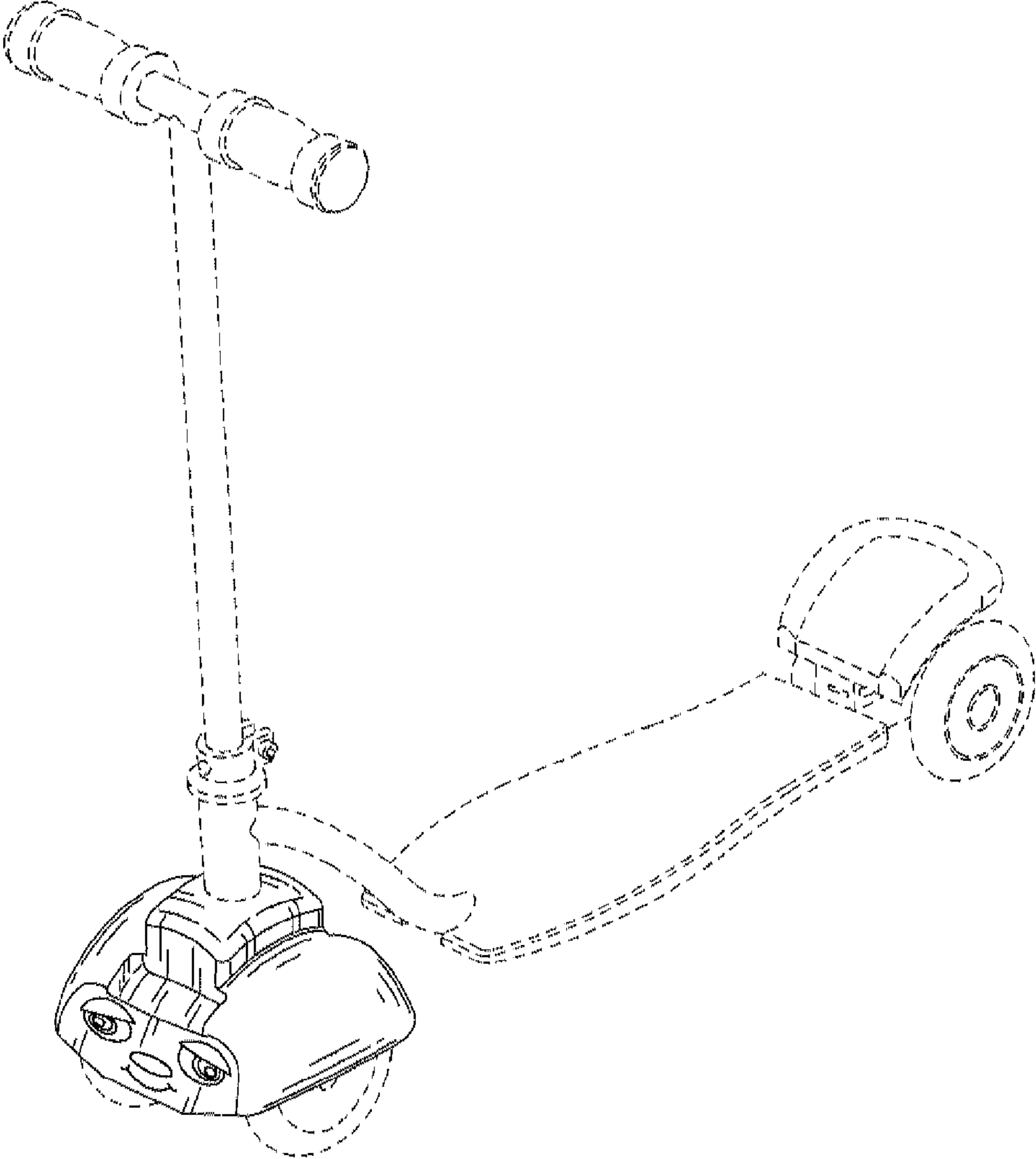


FIG. 1

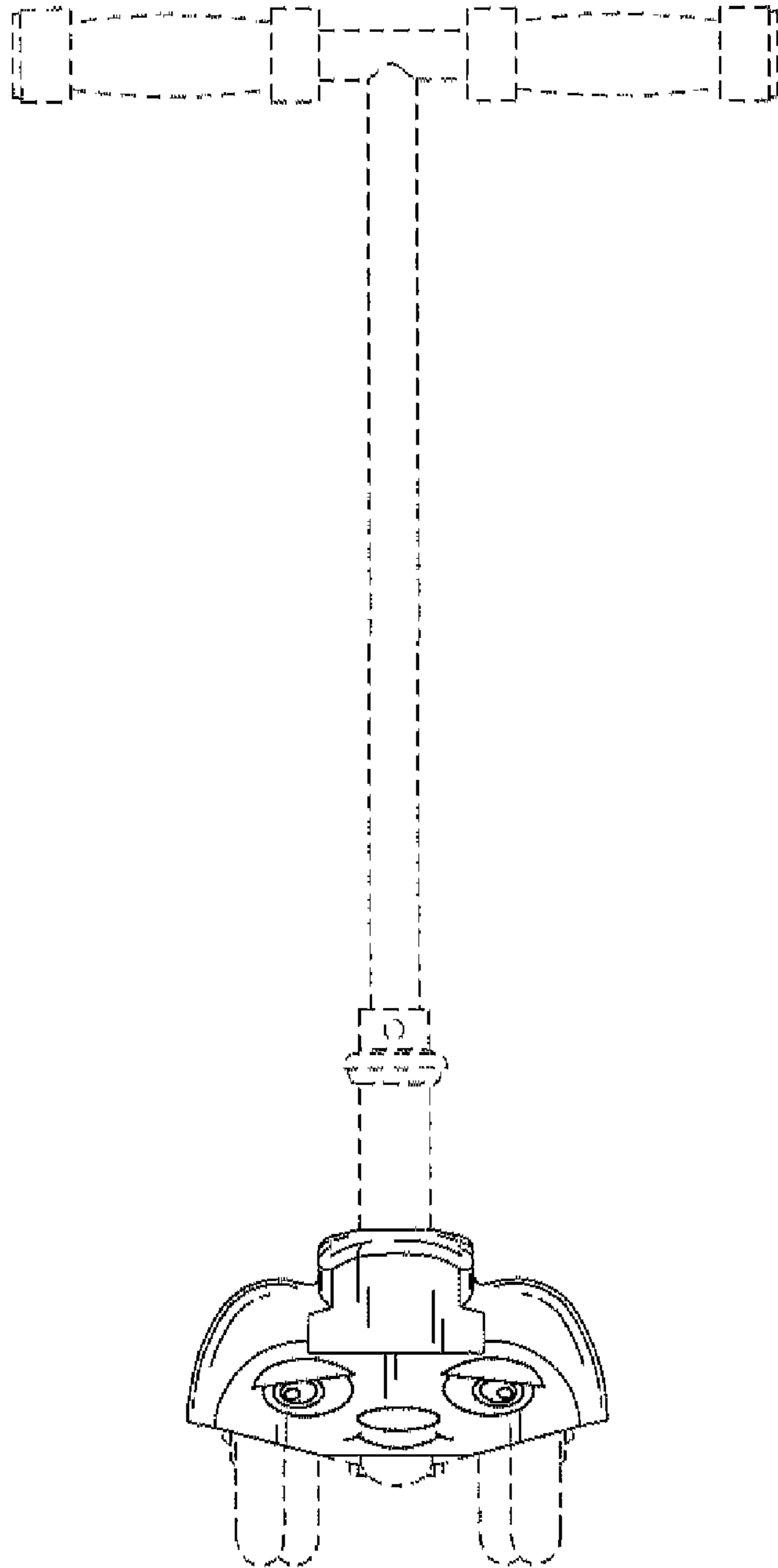


FIG. 2

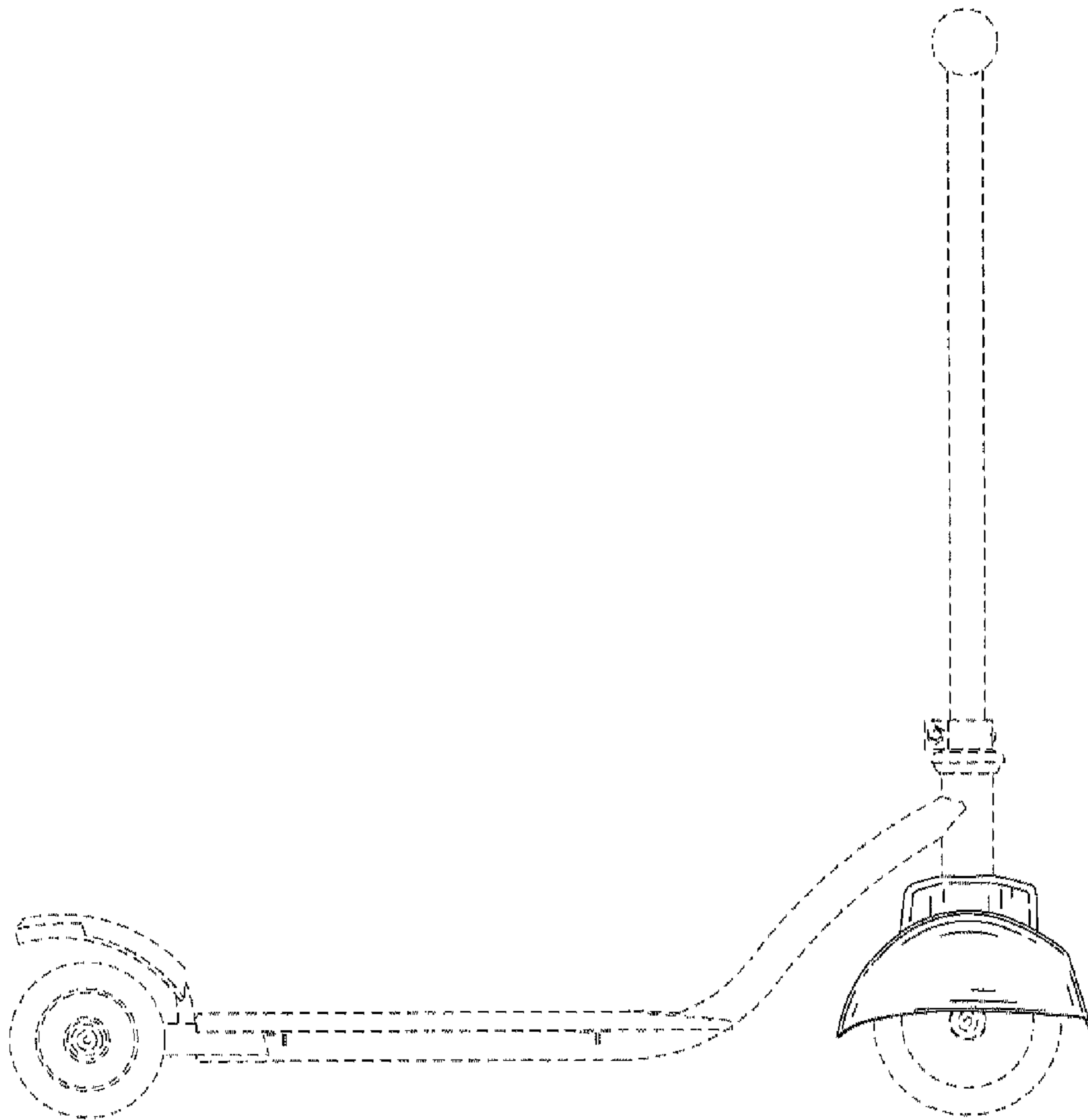


FIG. 3

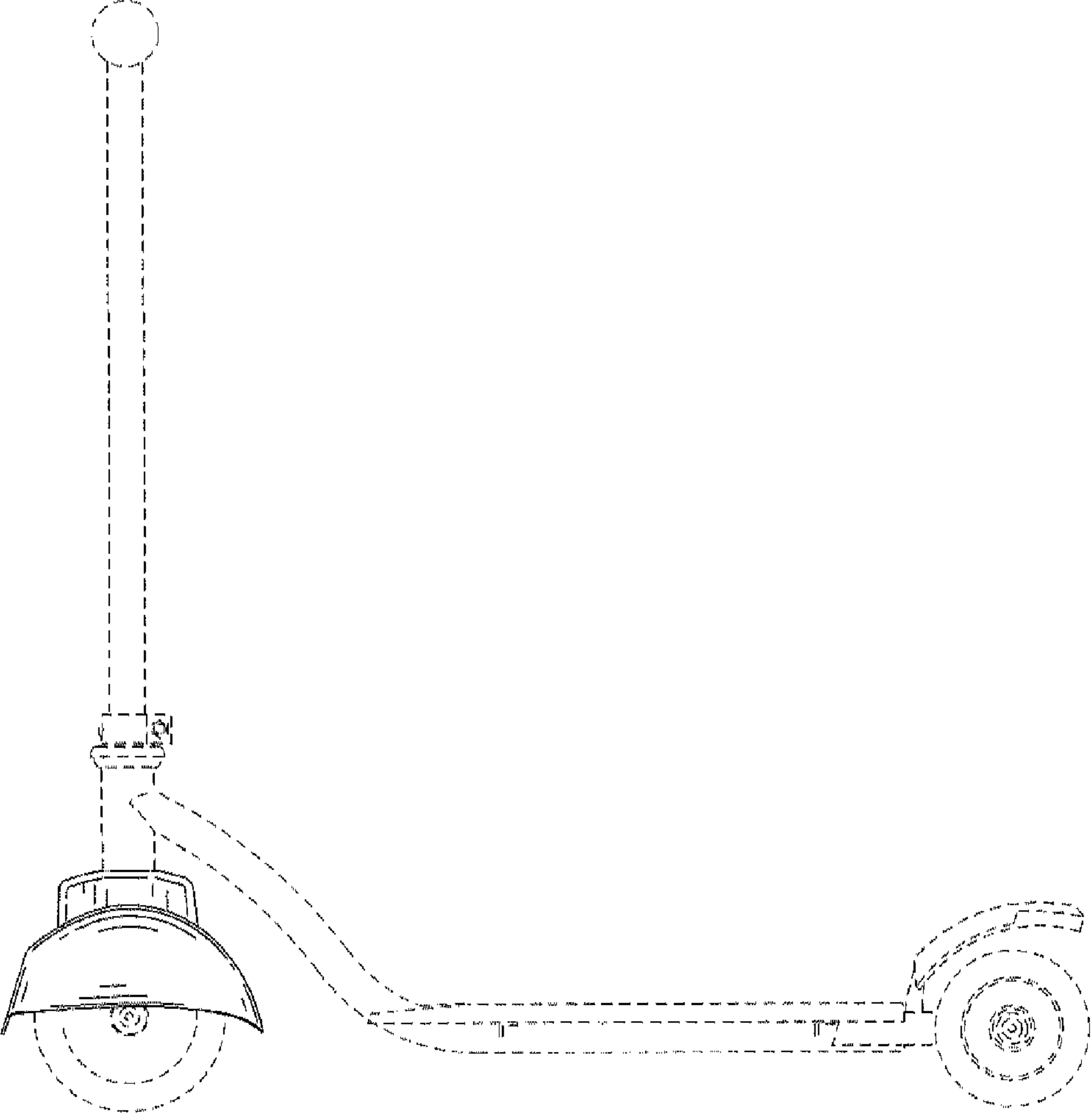


FIG. 4