

US00D665033S

(12) **United States Design Patent**  
**DeSimone et al.**

(10) **Patent No.:** **US D665,033 S**

(45) **Date of Patent:** **\*\* Aug. 7, 2012**

(54) **GAMING MACHINE TOP BOX**

7,614,949 B2 \* 11/2009 Anderson et al. .... 463/20  
D624,604 S \* 9/2010 Wudtke ..... D21/385  
D625,368 S \* 10/2010 Nelson et al. .... D21/385

(75) Inventors: **Frank DeSimone**, Henderson, NV (US);  
**Michael Kolodziej**, Austin, TX (US);  
**Travis Bussey**, Austin, TX (US);  
**Brandon Fish**, Pflugerville, TX (US);  
**Clint Owen**, Rockdale, TX (US)

\* cited by examiner

*Primary Examiner* — Sandra Morris

(74) *Attorney, Agent, or Firm* — Russell D. Culbertson; The Culbertson Group, P.C.

(73) Assignee: **Multimedia Games, Inc.**, Austin, TX (US)

(57) **CLAIM**

The ornamental design for a gaming machine top box, as shown.

(\*\*) Term: **14 Years**

**DESCRIPTION**

(21) Appl. No.: **29/379,056**

FIG. 1 is a right perspective view of a gaming machine top box embodying the ornamental design according to the present invention.

(22) Filed: **Nov. 12, 2010**

FIG. 2 is a right side view of the gaming machine top box shown in FIG. 1. The left side view is a mirror image of the right side view and is therefore omitted from the drawings.

(51) **LOC (9) Cl.** ..... **21-01**

(52) **U.S. Cl.** ..... **D21/385**

(58) **Field of Classification Search** ..... D21/369–370,  
D21/385; 463/17, 20, 46–47  
See application file for complete search history.

FIG. 3 is a front view of the gaming machine top box shown in FIG. 1.

FIG. 4 is a rear view of the gaming machine top box shown in FIG. 1; and,

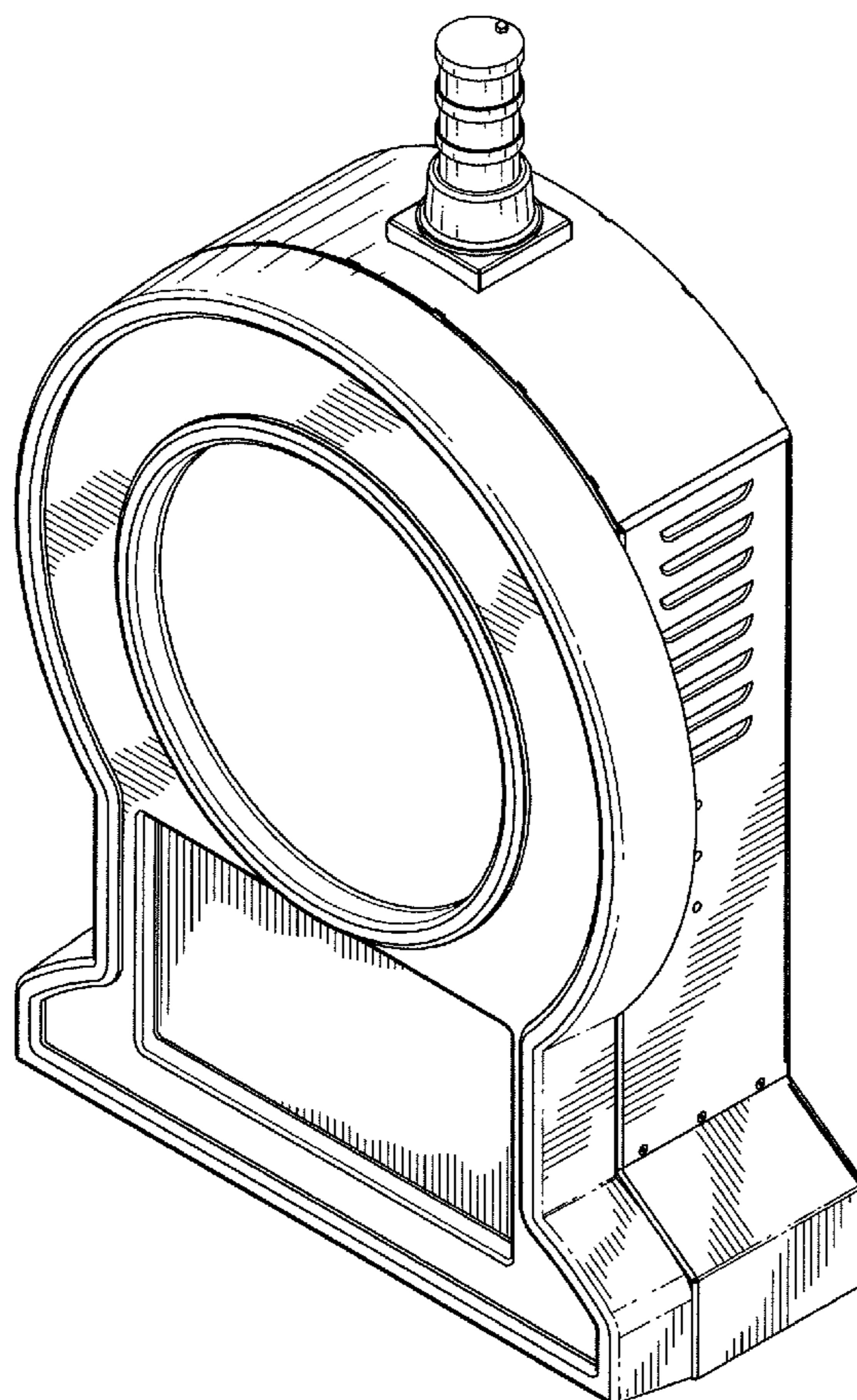
FIG. 5 is a top view of the gaming machine top box shown in FIG. 1.

(56) **References Cited**

**U.S. PATENT DOCUMENTS**

D519,571 S \* 4/2006 Myers ..... D21/385  
D562,912 S \* 2/2008 Myers ..... D21/385

**1 Claim, 5 Drawing Sheets**



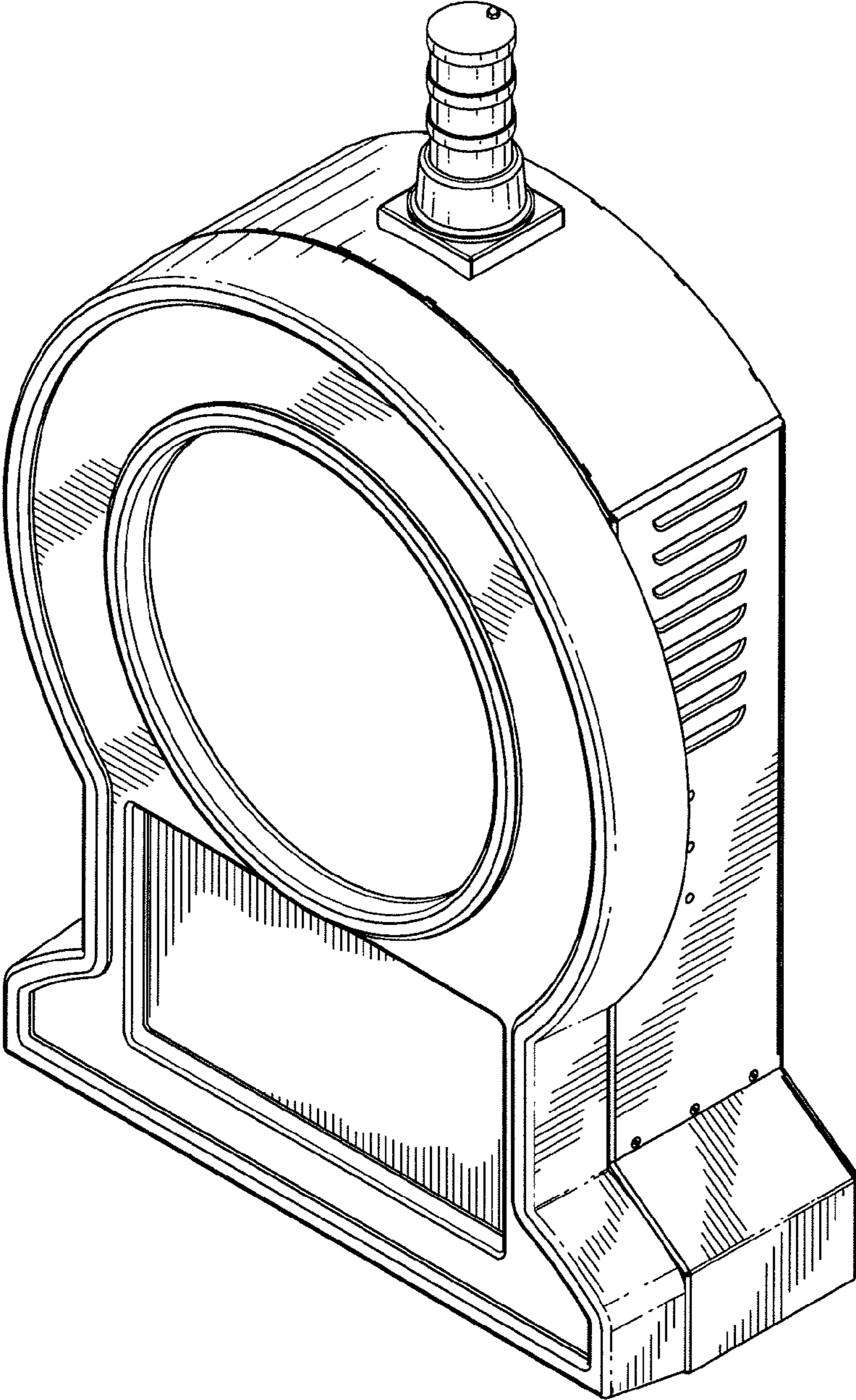


FIG. 1

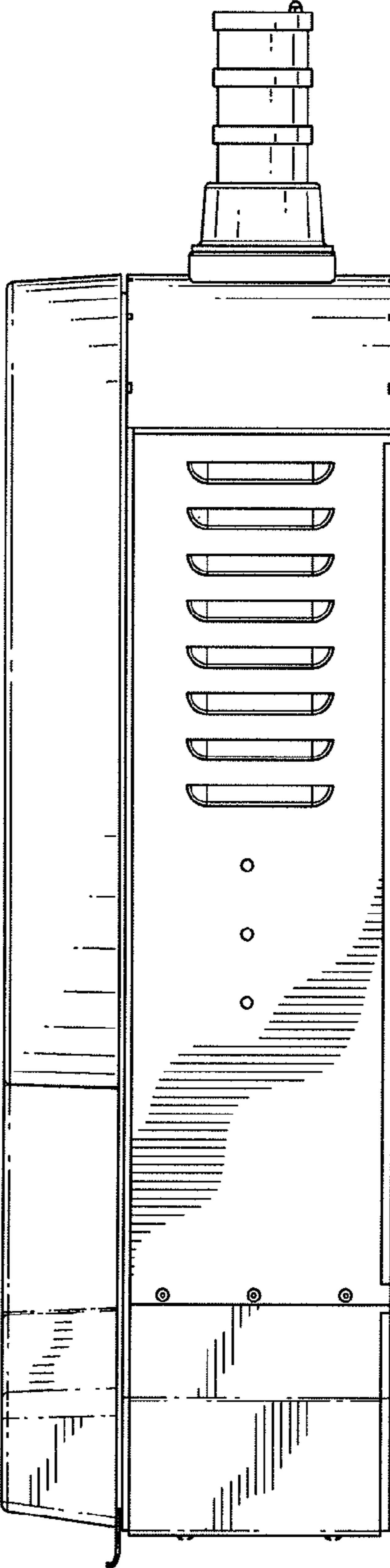


FIG.2

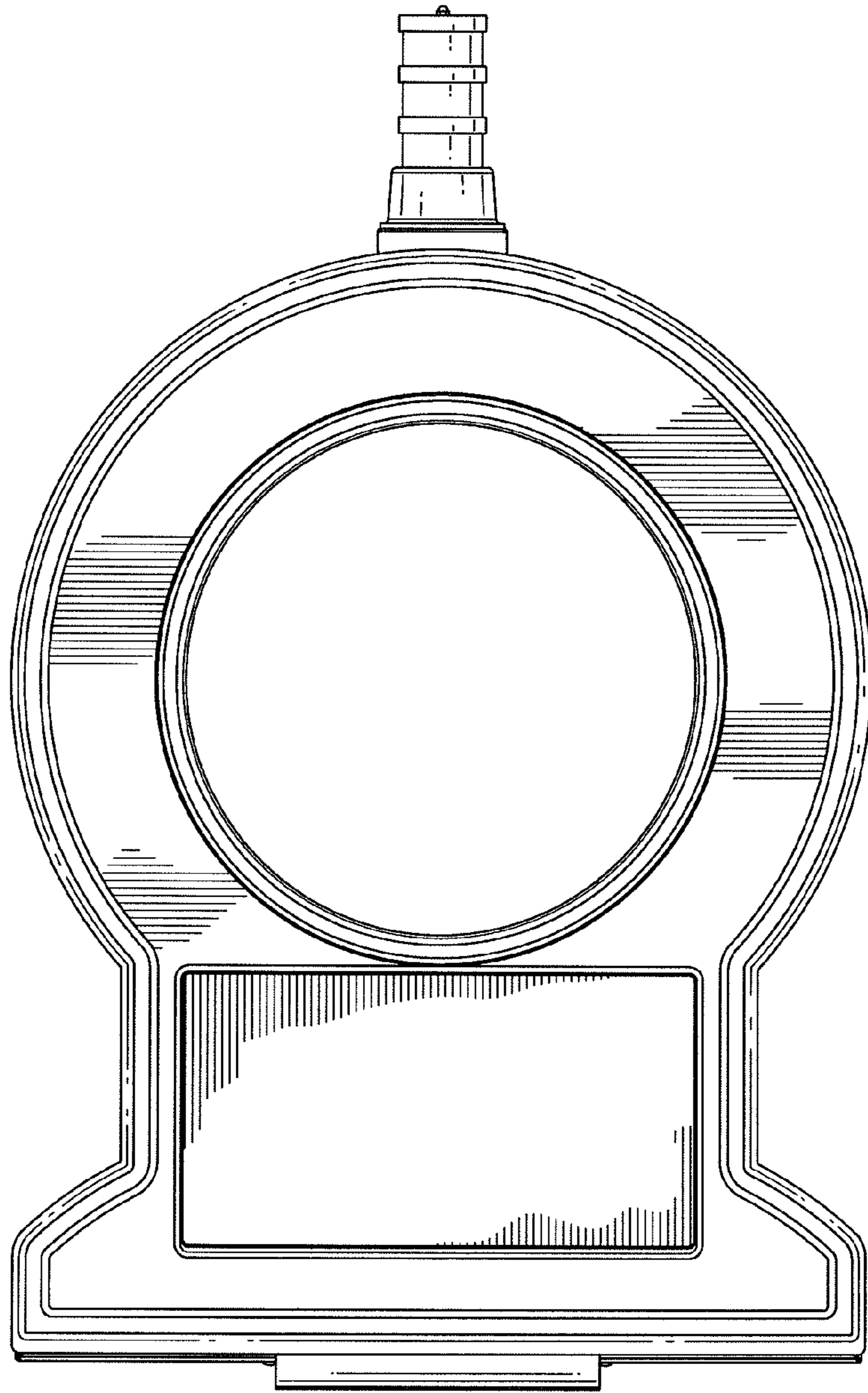


FIG. 3

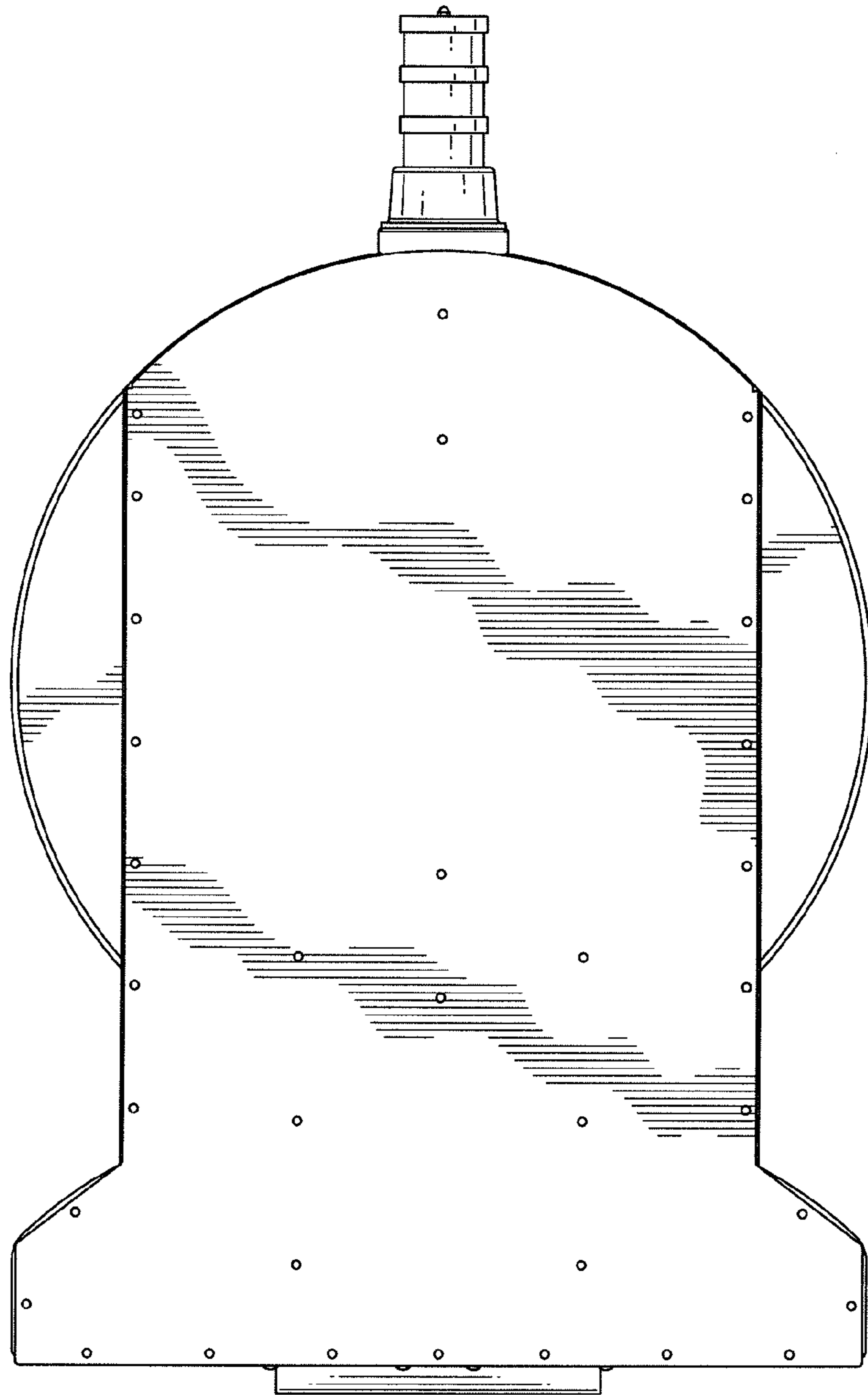


FIG.4

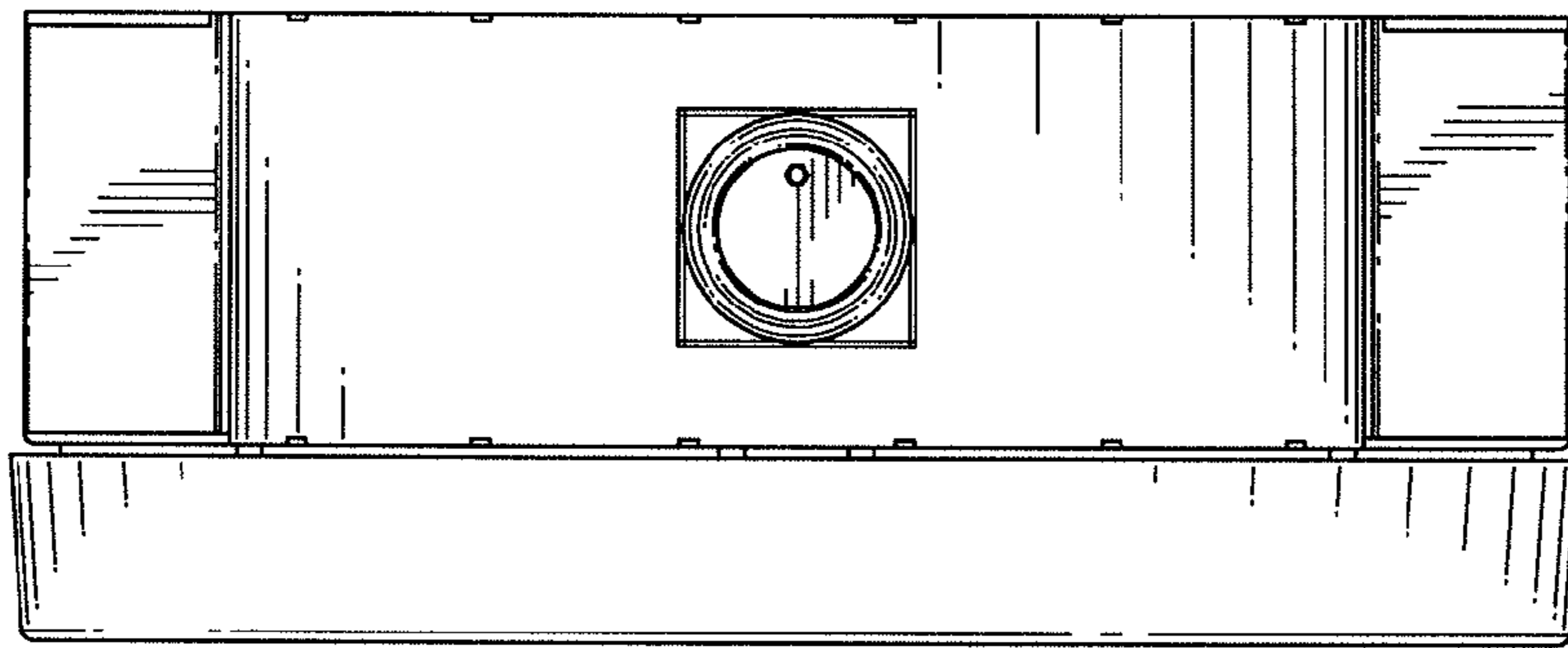


FIG. 5