

US00D665032S

(12) **United States Design Patent**  
**Sogabe**

(10) **Patent No.:** **US D665,032 S**  
(45) **Date of Patent:** **\*\* Aug. 7, 2012**

(54) **PORTABLE INFORMATION TERMINAL**

(75) Inventor: **Takashi Sogabe**, Tokyo (JP)

(73) Assignee: **Sony Computer Entertainment Inc.**,  
Tokyo (JP)

(\*\*) Term: **14 Years**

(21) Appl. No.: **29/371,709**

(22) Filed: **Jul. 22, 2011**

(30) **Foreign Application Priority Data**

Jan. 26, 2011 (JP) ..... D2011-001609

(51) **LOC (9) Cl.** ..... **21-01**

(52) **U.S. Cl.** ..... **D21/333; D21/329**

(58) **Field of Classification Search** ..... D21/324-333;  
D14/341-346, 356, 432, 496, 207.3, 203.7,  
D14/507, 399-401; 273/148 B; 463/1, 29-47;  
345/156-161, 168, 169, 172; 341/22, 23  
See application file for complete search history.

(56) **References Cited**

**U.S. PATENT DOCUMENTS**

4,423,792 A \* 1/1984 Cowan ..... 177/25.19  
4,611,406 A \* 9/1986 Engstrom et al. .... 33/443

4,969,647 A \* 11/1990 Mical et al. .... 463/31  
5,207,426 A \* 5/1993 Inoue et al. .... 463/36  
D528,543 S \* 9/2006 Ogasawara ..... D14/356  
D529,493 S \* 10/2006 Ogasawara ..... D14/356  
D558,755 S \* 1/2008 Tanaka ..... D14/341  
D558,759 S \* 1/2008 Tanaka ..... D14/341  
D584,739 S \* 1/2009 Ahlgren ..... D14/496  
D620,055 S \* 7/2010 Yano ..... D21/329  
D620,056 S \* 7/2010 Yano ..... D21/329  
D622,245 S \* 8/2010 Okada et al. .... D14/138 G

\* cited by examiner

*Primary Examiner* — Prabhakar Deshmukh

(57) **CLAIM**

The ornamental design for a portable information terminal, as shown and described.

**DESCRIPTION**

FIG. 1 is a rear, top, right perspective view of a portable information terminal showing my new design; FIG. 2 is a rear, bottom, left perspective view thereof; and, FIG. 3 is a rear elevational view thereof. Portions in broken lines are for illustrative purposes only and form no part of the claimed design.

**1 Claim, 3 Drawing Sheets**

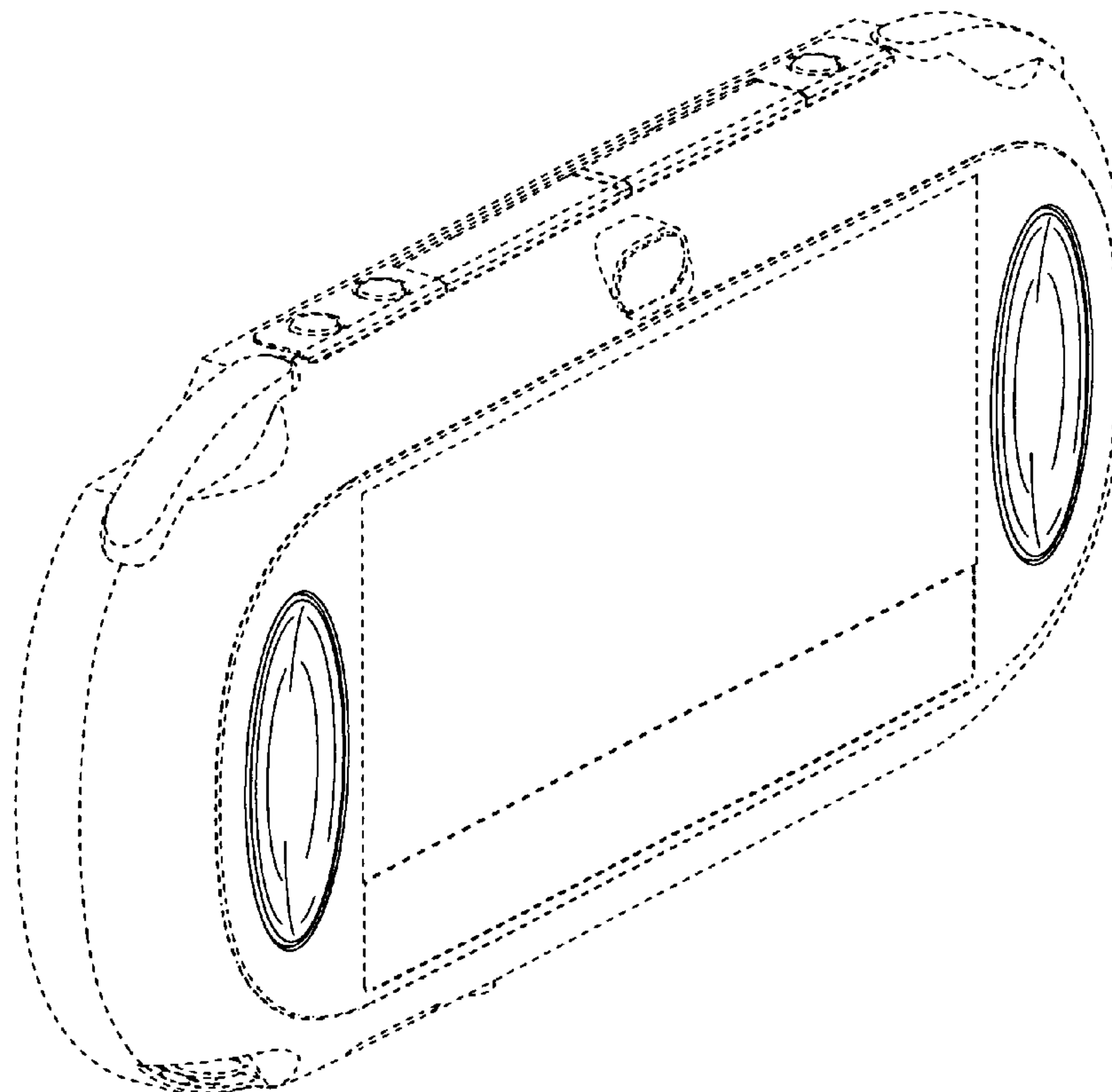
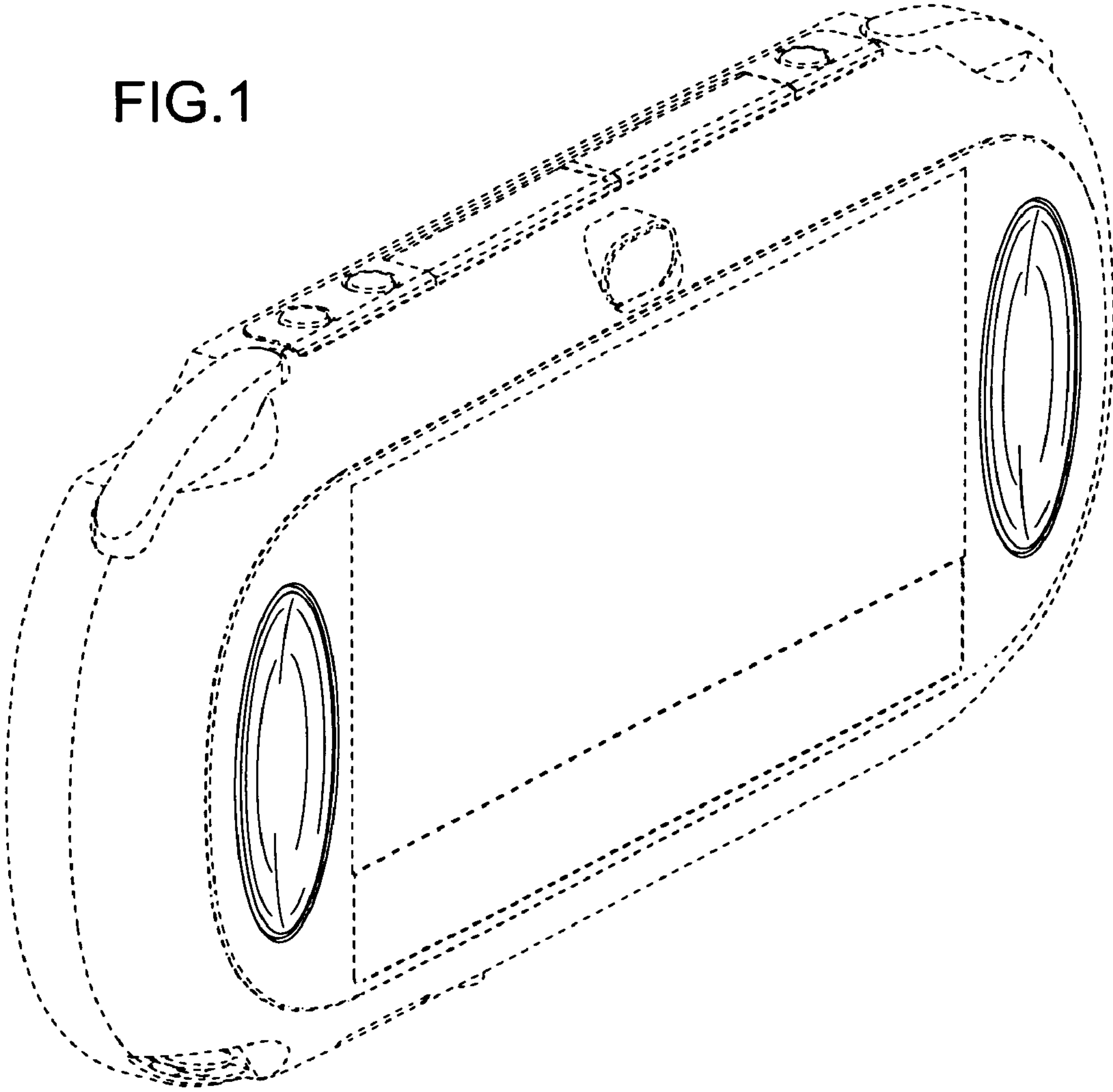


FIG.1



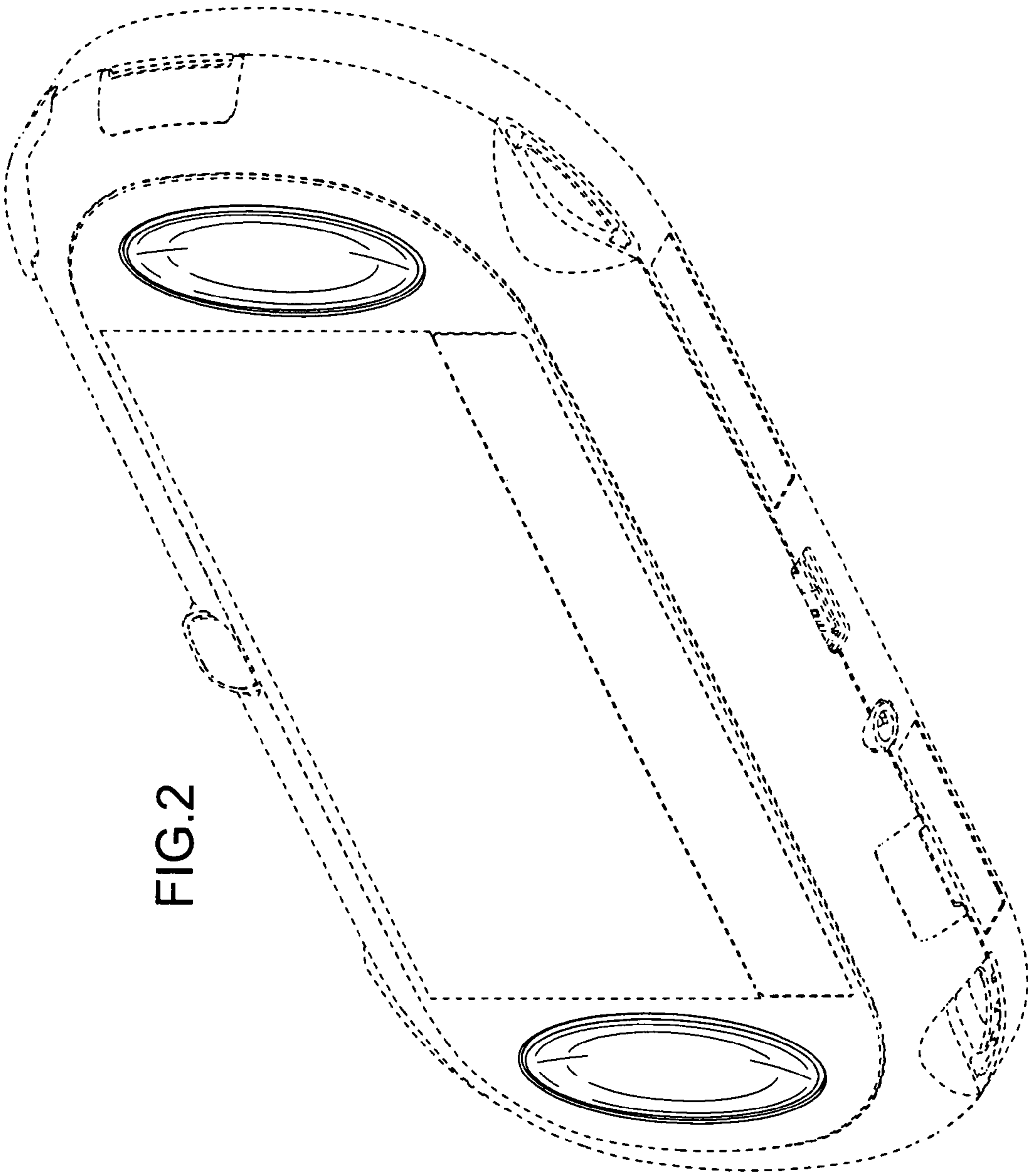


FIG. 2

FIG.3

