

US00D665027S

(12) **United States Design Patent**  
**Packard et al.**

(10) **Patent No.:** **US D665,027 S**

(45) **Date of Patent:** **\*\* Aug. 7, 2012**

(54) **TAPE DISPENSER**

(75) Inventors: **Joy A. Packard**, Hudson, WI (US);  
**Shaelyn D. Crutchley**, St. Paul, MN  
(US); **Martin E. Broen**, Milan (IT)

(73) Assignee: **3M Innovative Properties Company**,  
St. Paul, MN (US)

(\*\*) Term: **14 Years**

(21) Appl. No.: **29/406,514**

(22) Filed: **Nov. 15, 2011**

(51) **LOC (9) Cl.** ..... **19-02**

(52) **U.S. Cl.** ..... **D19/69**

(58) **Field of Classification Search** ..... D19/70,  
D19/69, 36, 68; 242/588.6, 588.2; 225/77,  
225/6, 56, 39, 26, 25, 19, 11, 34; 206/411;  
156/577, 527, 523

See application file for complete search history.

(56) **References Cited**

**U.S. PATENT DOCUMENTS**

D259,643 S	6/1981	Pearson	
4,961,525 A	10/1990	Corbo	
D362,684 S	9/1995	Samuelson	
5,468,332 A	11/1995	Dretzka	
D423,054 S *	4/2000	Harris	..... D19/69
D442,227 S	5/2001	Carlson	
D448,413 S	9/2001	Carlson	
6,669,070 B2	12/2003	Huang	
D491,985 S *	6/2004	Mueller et al.	..... D19/69

D507,020 S *	7/2005	Mueller et al.	..... D19/69
6,923,358 B2 *	8/2005	Chandaria	..... 225/56
D529,093 S	9/2006	Gullicks	
D533,594 S *	12/2006	Gullicks et al.	..... D19/69
D533,905 S	12/2006	Gullicks	
D534,589 S *	1/2007	Gullicks et al.	..... D19/69
D568,400 S	5/2008	Packard	
D573,645 S *	7/2008	Sommers et al.	..... D19/69
D588,646 S	3/2009	Vulpitta	
D591,354 S	4/2009	Vulpitta	
D646,330 S	10/2011	Chen	
2010/0084450 A1	4/2010	Vulpitta	

\* cited by examiner

*Primary Examiner* — Austin Murphy

(74) *Attorney, Agent, or Firm* — Kevin W. Weber; Irina Hass

(57) **CLAIM**

The ornamental design for a tape dispenser, as shown and described.

**DESCRIPTION**

FIG. 1 is a perspective view of a tape dispenser showing the new design;

FIG. 2 is a side view, the opposite side being a mirror image thereof;

FIG. 3 is a top view thereof;

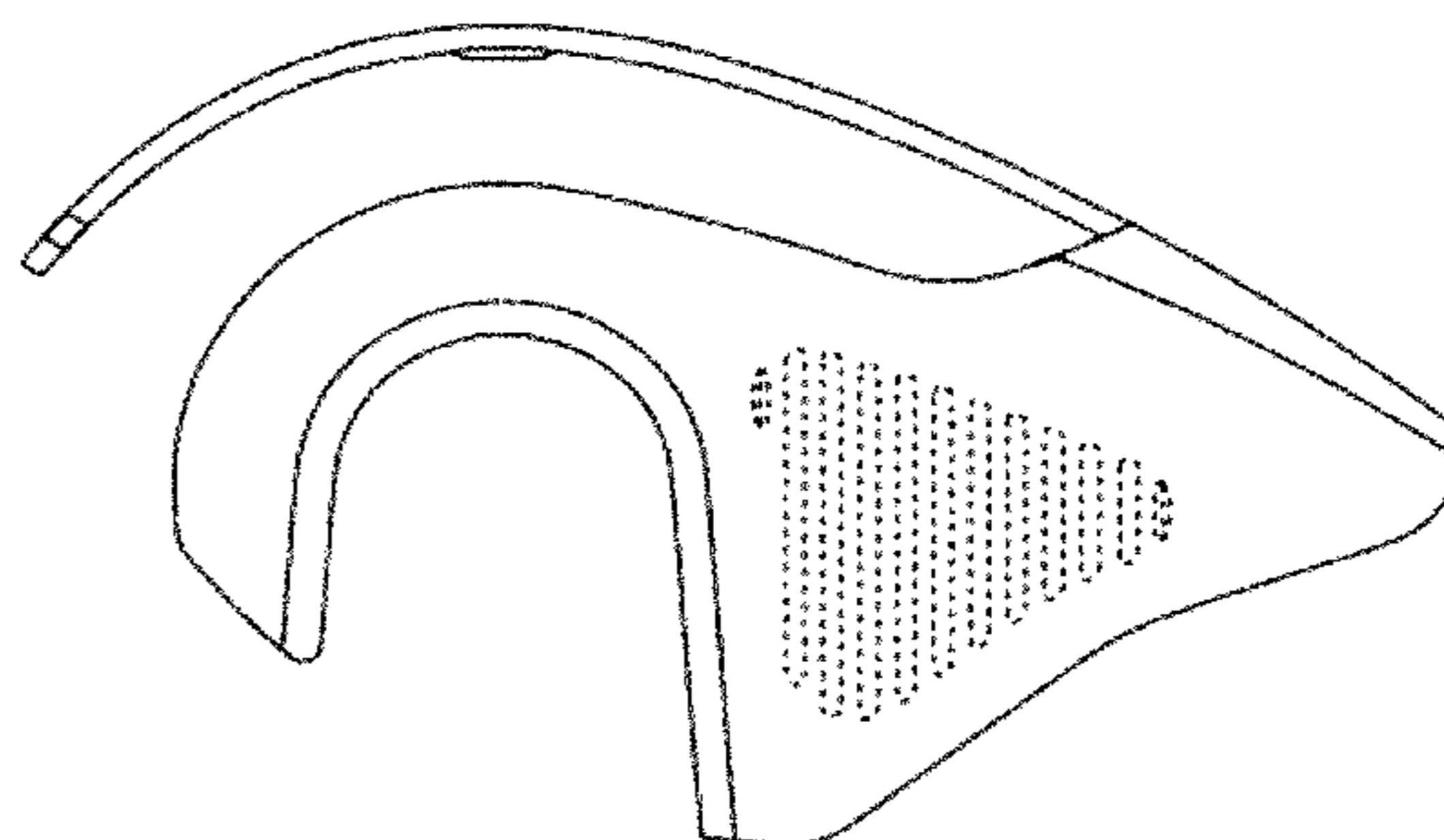
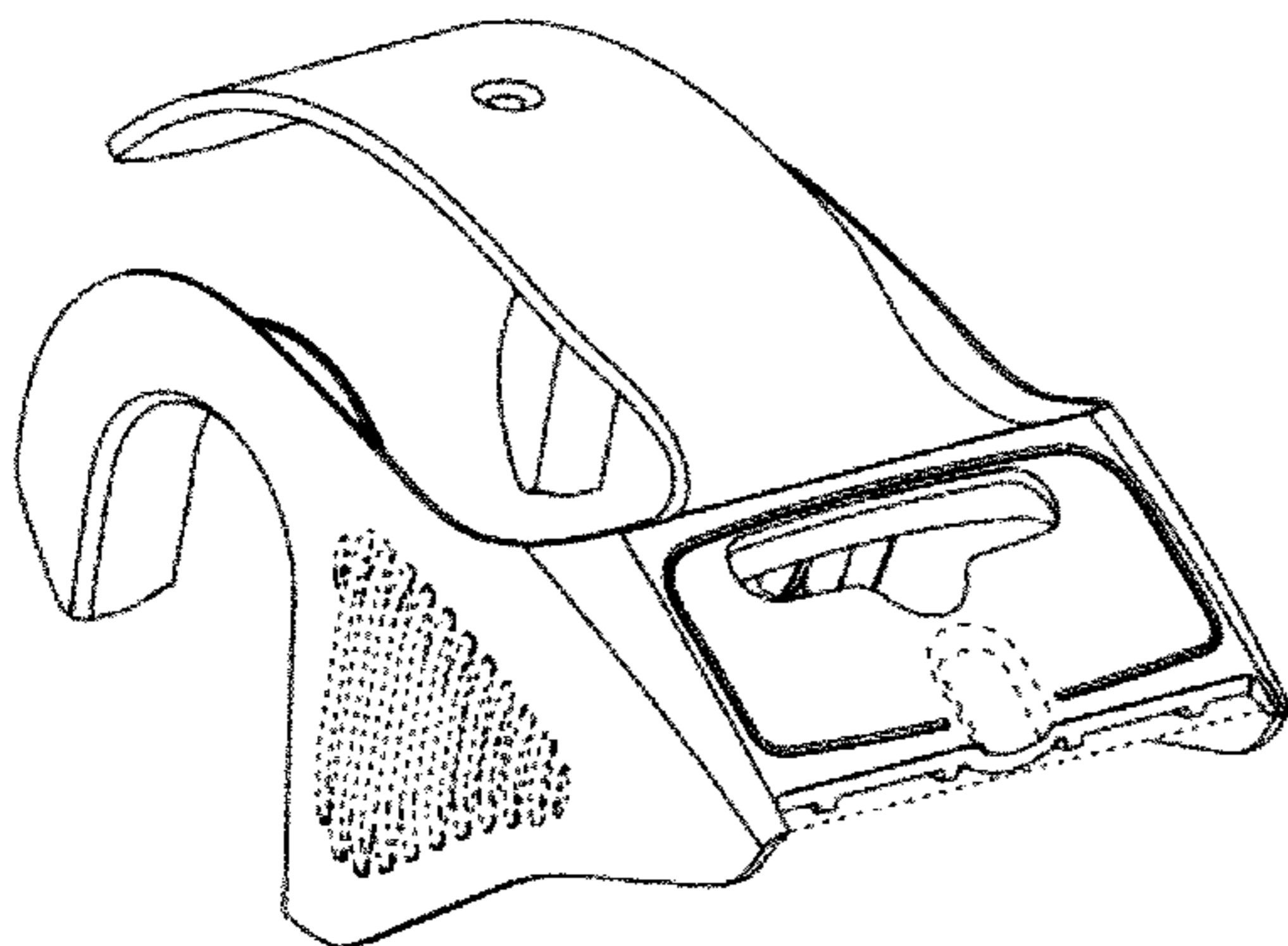
FIG. 4 is a bottom view thereof;

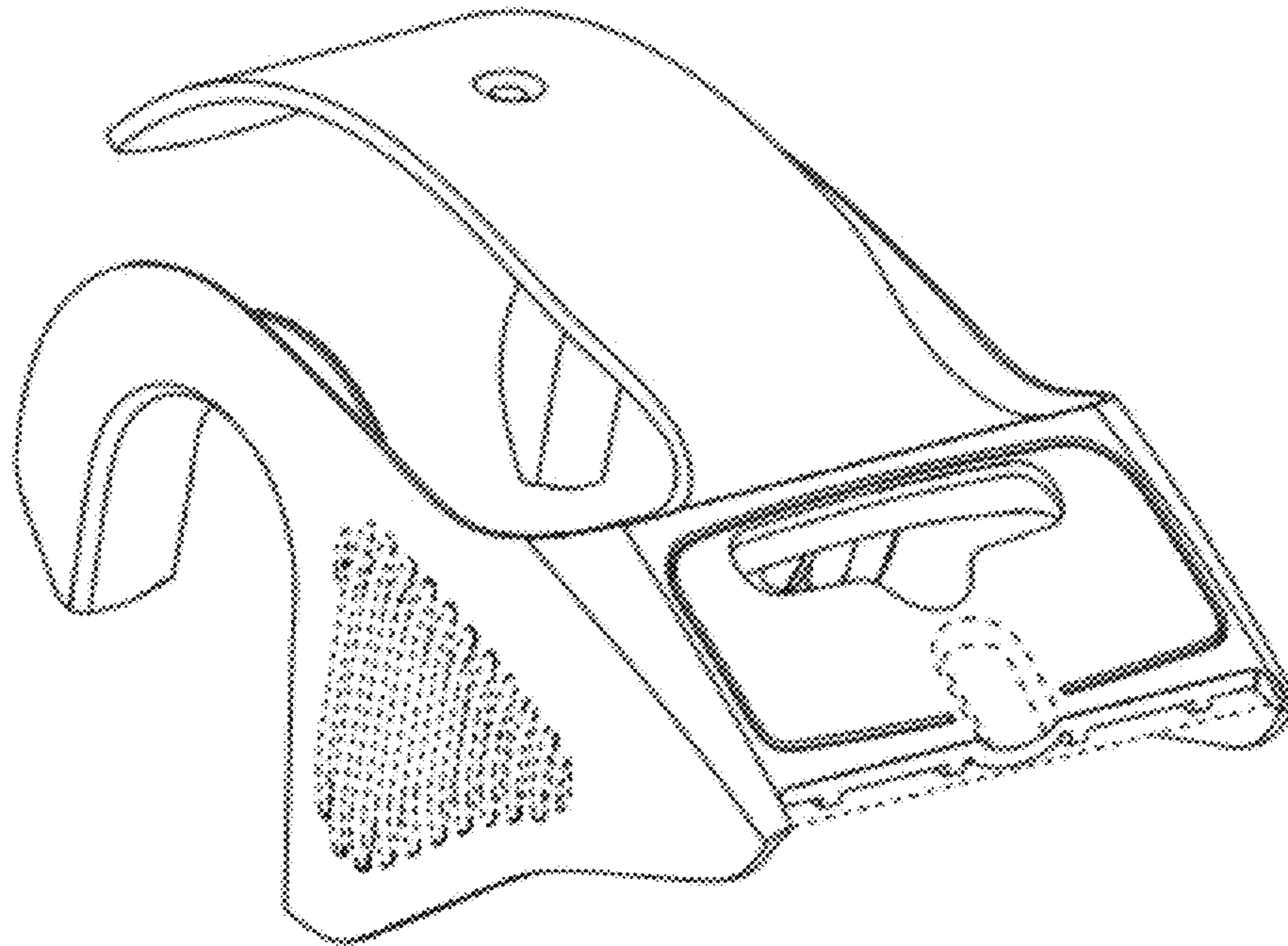
FIG. 5 is a front view thereof; and,

FIG. 6 is a rear view thereof.

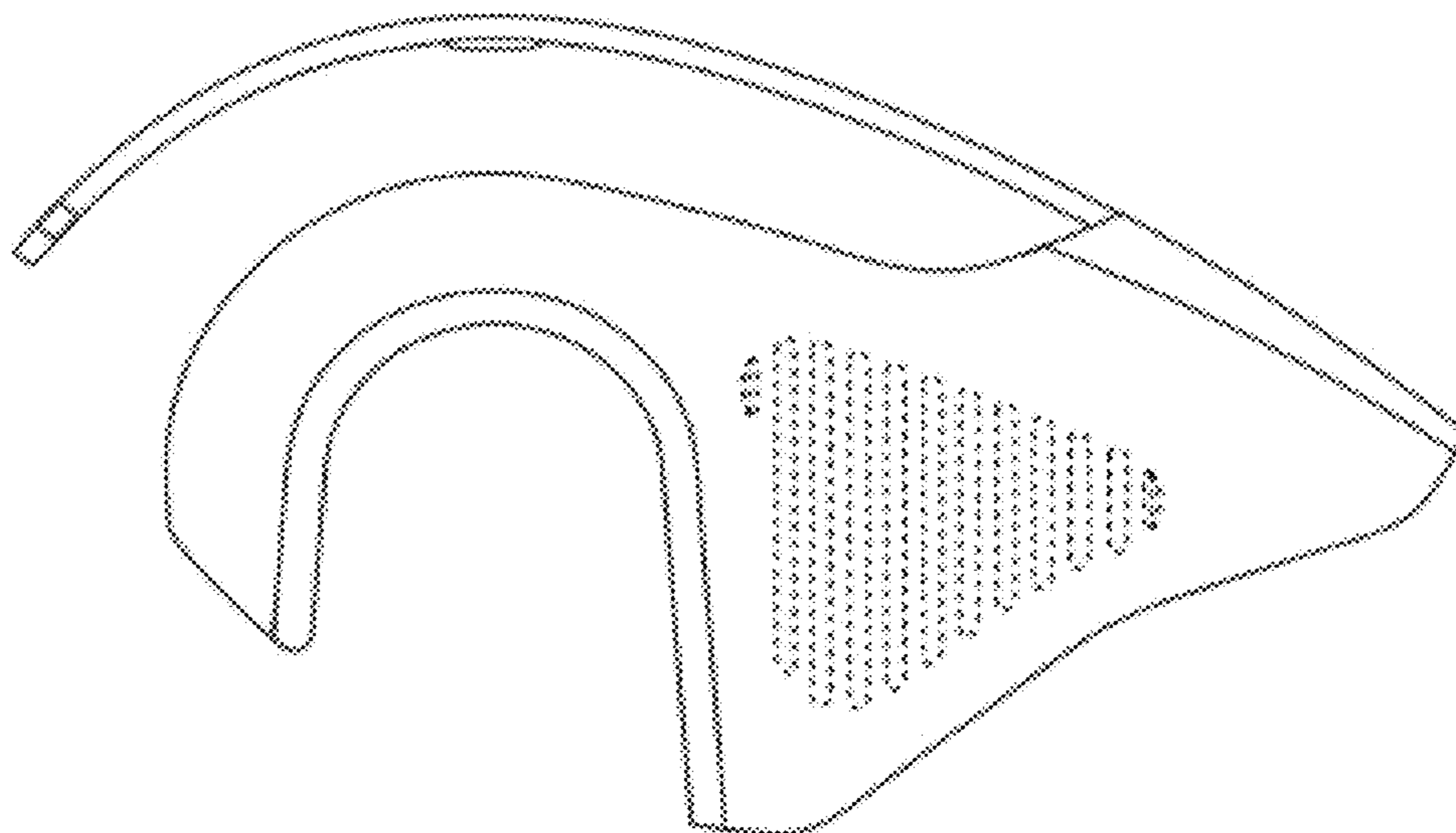
The broken lines showing a cutting blade and certain features on the top and sides of the tape dispenser form no part of the claimed design.

**1 Claim, 2 Drawing Sheets**

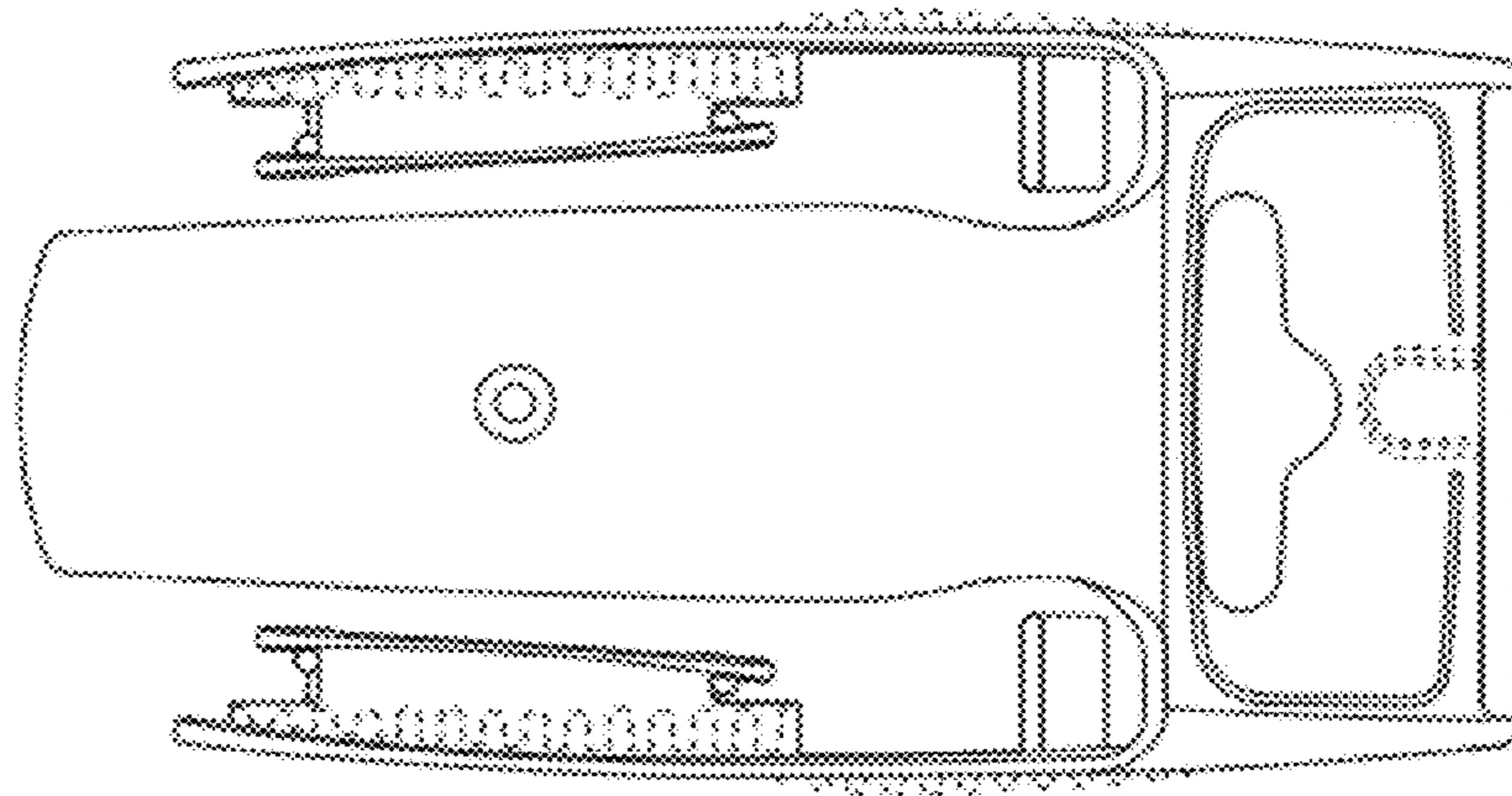




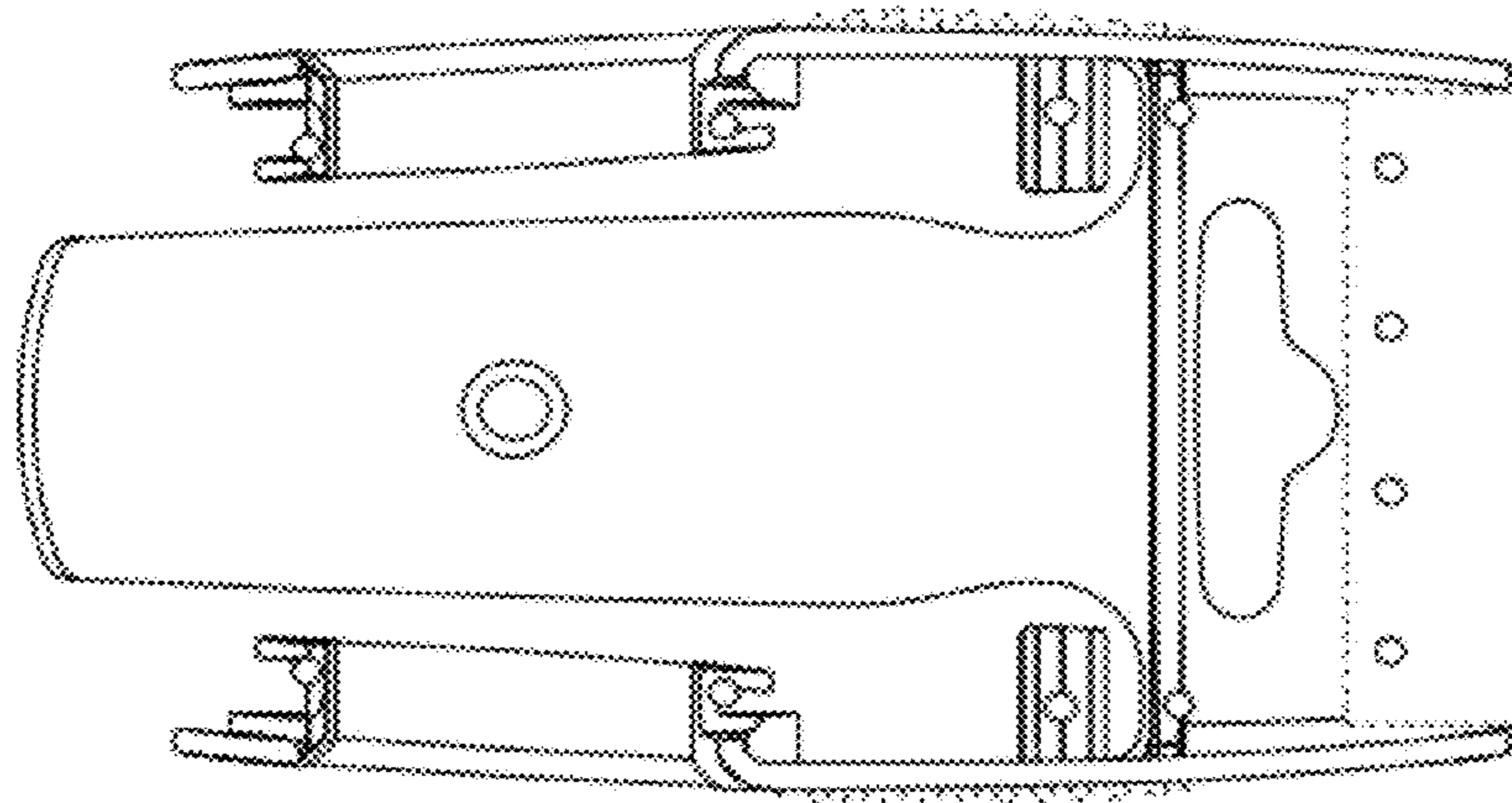
*Fig. 1*



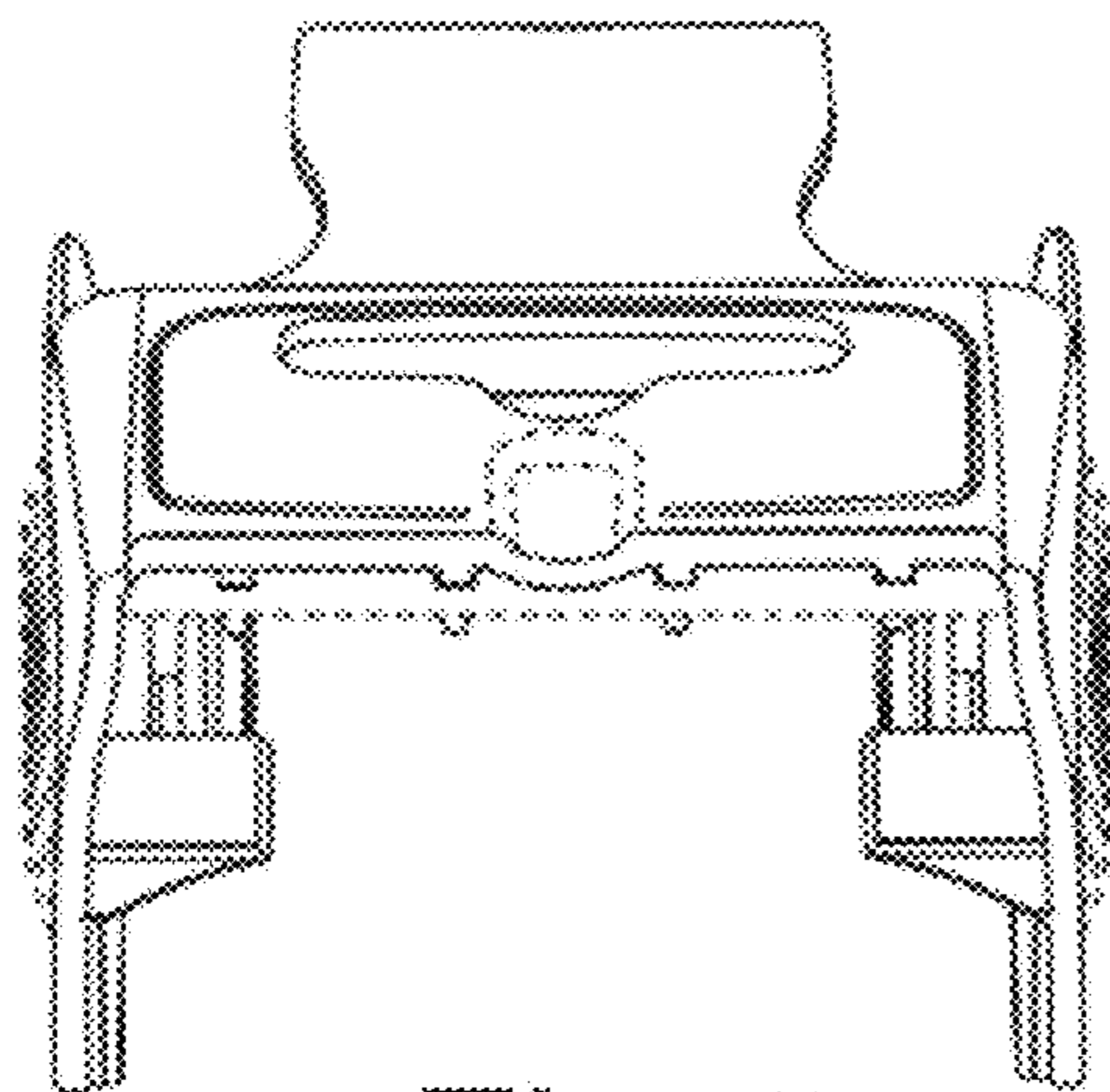
*Fig. 2*



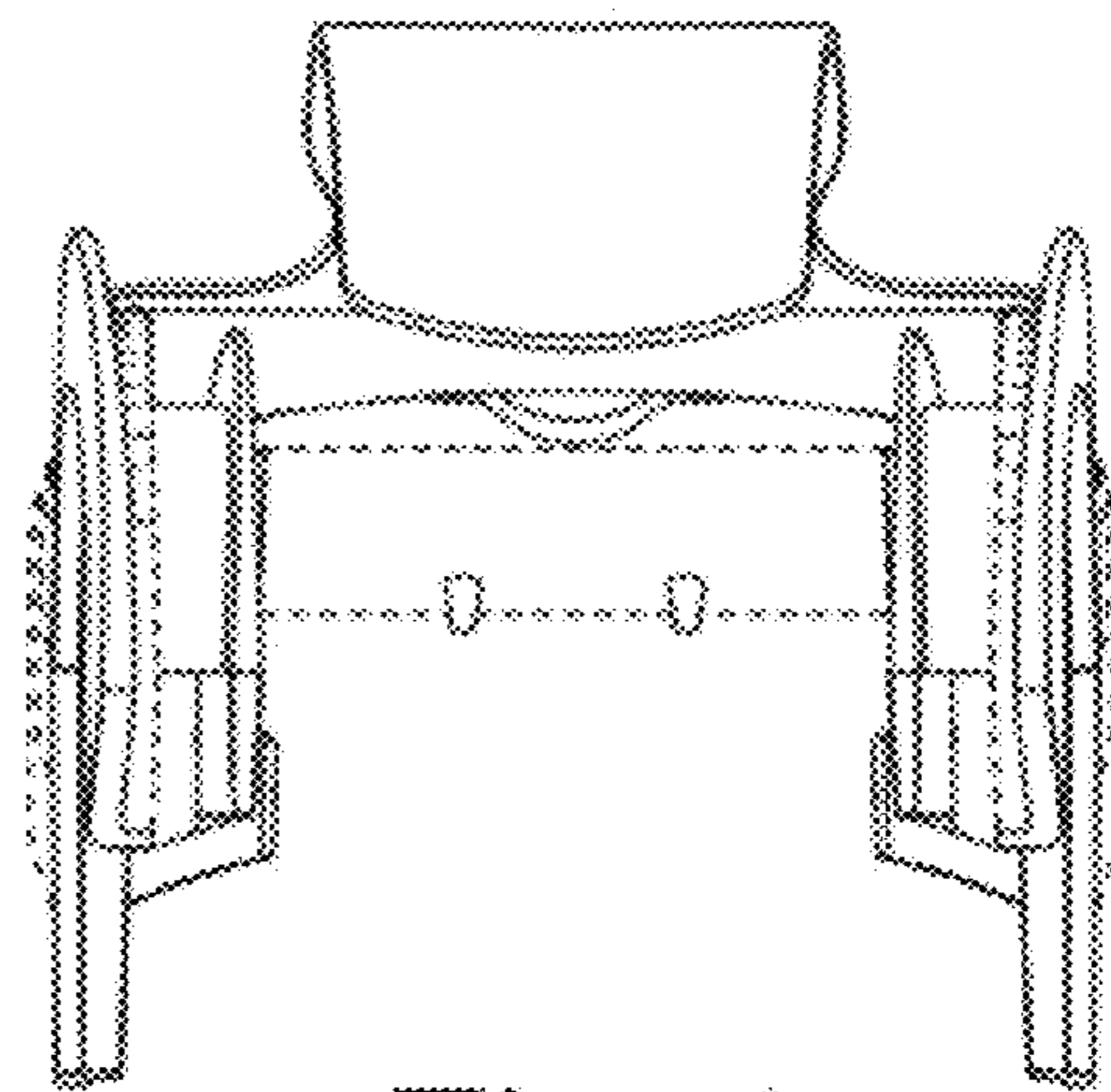
*Fig. 3*



*Fig. 4*



*Fig. 5*



*Fig. 6*