



US00D665019S

(12) **United States Design Patent**
Hatch et al.

(10) **Patent No.:** **US D665,019 S**
(45) **Date of Patent:** **** Aug. 7, 2012**

(54) **PRINTER SERVICE MODULE**

(75) Inventors: **Steven Mark Hatch**, Longstanton (GB);
Stuart Mark Walkington, St. Albans
(GB); **Brian Patrick Guinee**, St. Neots
(GB); **Gareth Huw Lloyd**, Thaxted
(GB)

(73) Assignee: **Domino Printing Sciences PLC** (GB)

(**) Term: **14 Years**

(21) Appl. No.: **29/392,305**

(22) Filed: **May 19, 2011**

(51) **LOC (9) Cl.** **18-02**

(52) **U.S. Cl.** **D18/56**

(58) **Field of Classification Search** D18/43,
D18/56; 347/86-87, 29, 33, 36, 73
See application file for complete search history.

(56) **References Cited**

U.S. PATENT DOCUMENTS

D375,523	S	*	11/1996	Murray	D18/56
5,606,354	A	*	2/1997	Bekki et al.	347/33
D426,850	S	*	6/2000	Coiner et al.	D18/56
6,402,293	B1	*	6/2002	Sawicki	347/36
D552,672	S	*	10/2007	Haney	D18/56
D609,272	S	*	2/2010	Lecheheb et al.	D18/56

D612,415	S	*	3/2010	Harada	D18/56
D612,417	S	*	3/2010	Harada	D18/56
D614,696	S	*	4/2010	Harada	D18/56
2004/0001128	A1	*	1/2004	Hung	347/86
2008/0088683	A1	*	4/2008	Silverbrook et al.	347/86

* cited by examiner

Primary Examiner — Cathy A MacCormac

(74) *Attorney, Agent, or Firm* — Price Heneveld LLP

(57) **CLAIM**

I claim the ornamental design for printer service module, as shown.

DESCRIPTION

FIG. 1 is a perspective view of a top, front, and left side of a printer service module;

FIG. 2 is a left side elevational view of the printer service module;

FIG. 3 is a right side elevational view of the printer service module;

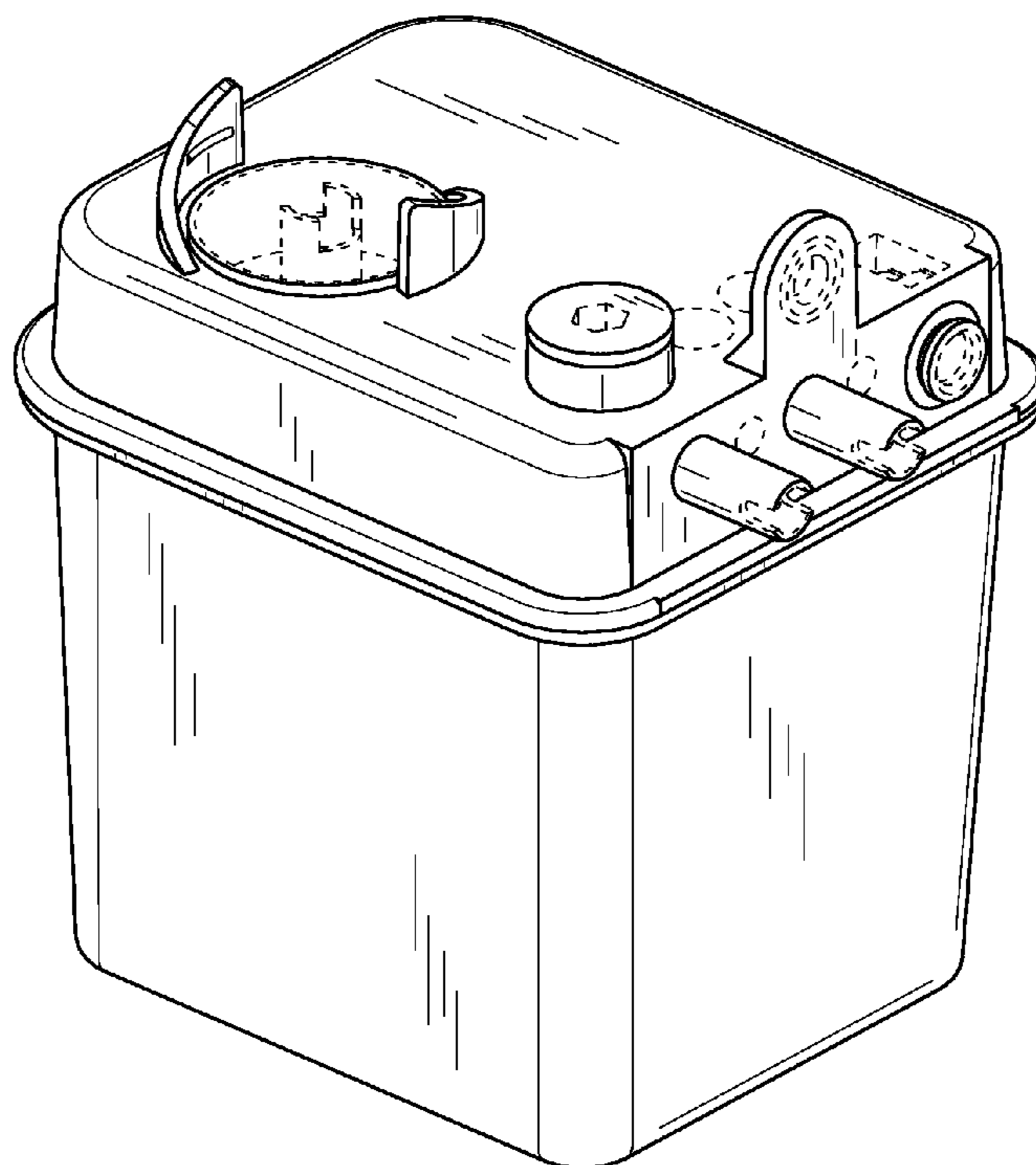
FIG. 4 is a front elevational view of the printer service module;

FIG. 5 is a rear elevational view of the printer service module;

FIG. 6 is a top plan view of the printer service module; and, FIG. 7 is a bottom plan view of the printer service module.

The broken lines are for illustration only and form no part of the claimed design.

1 Claim, 3 Drawing Sheets



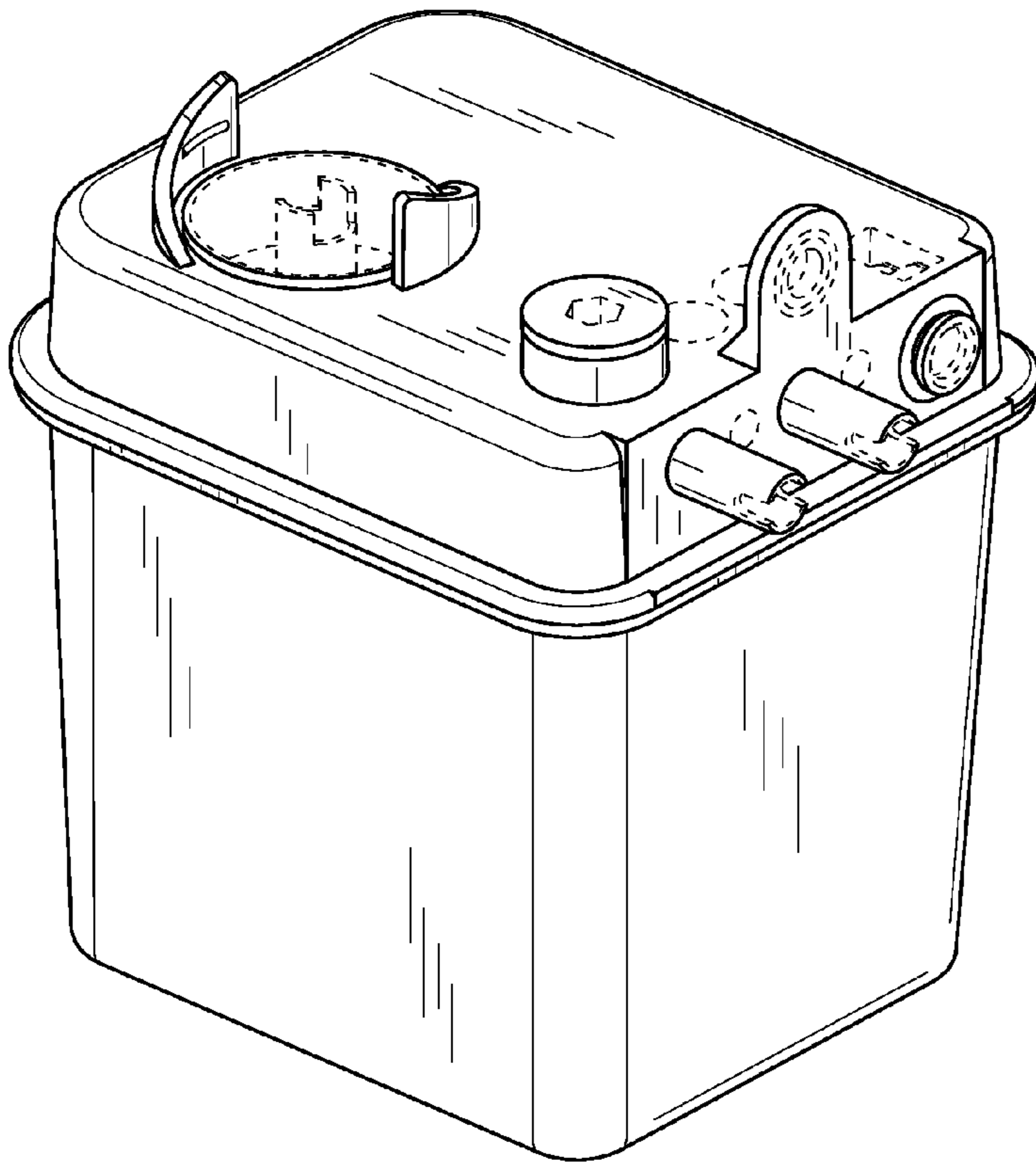


FIG. 1

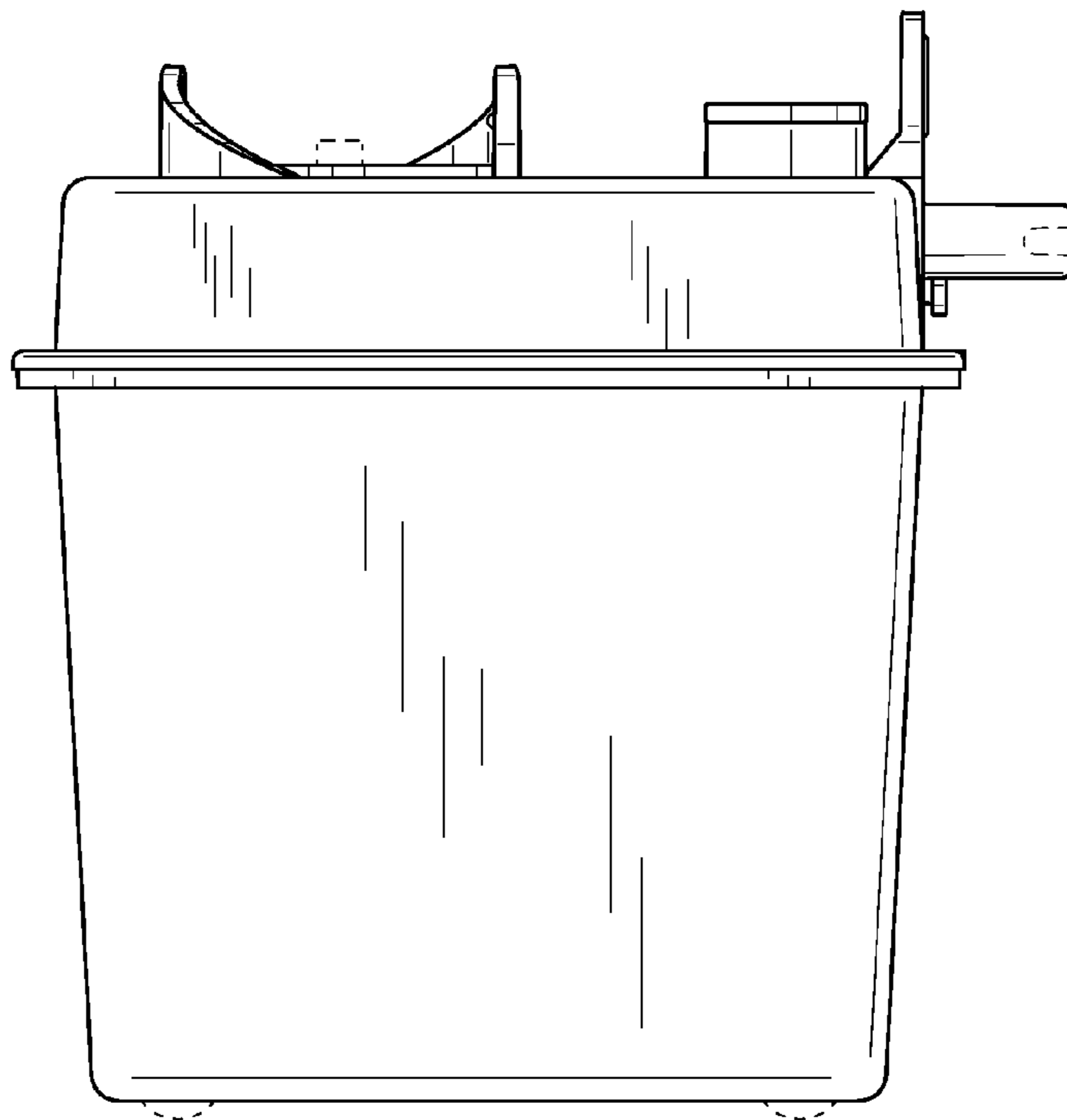


FIG. 2

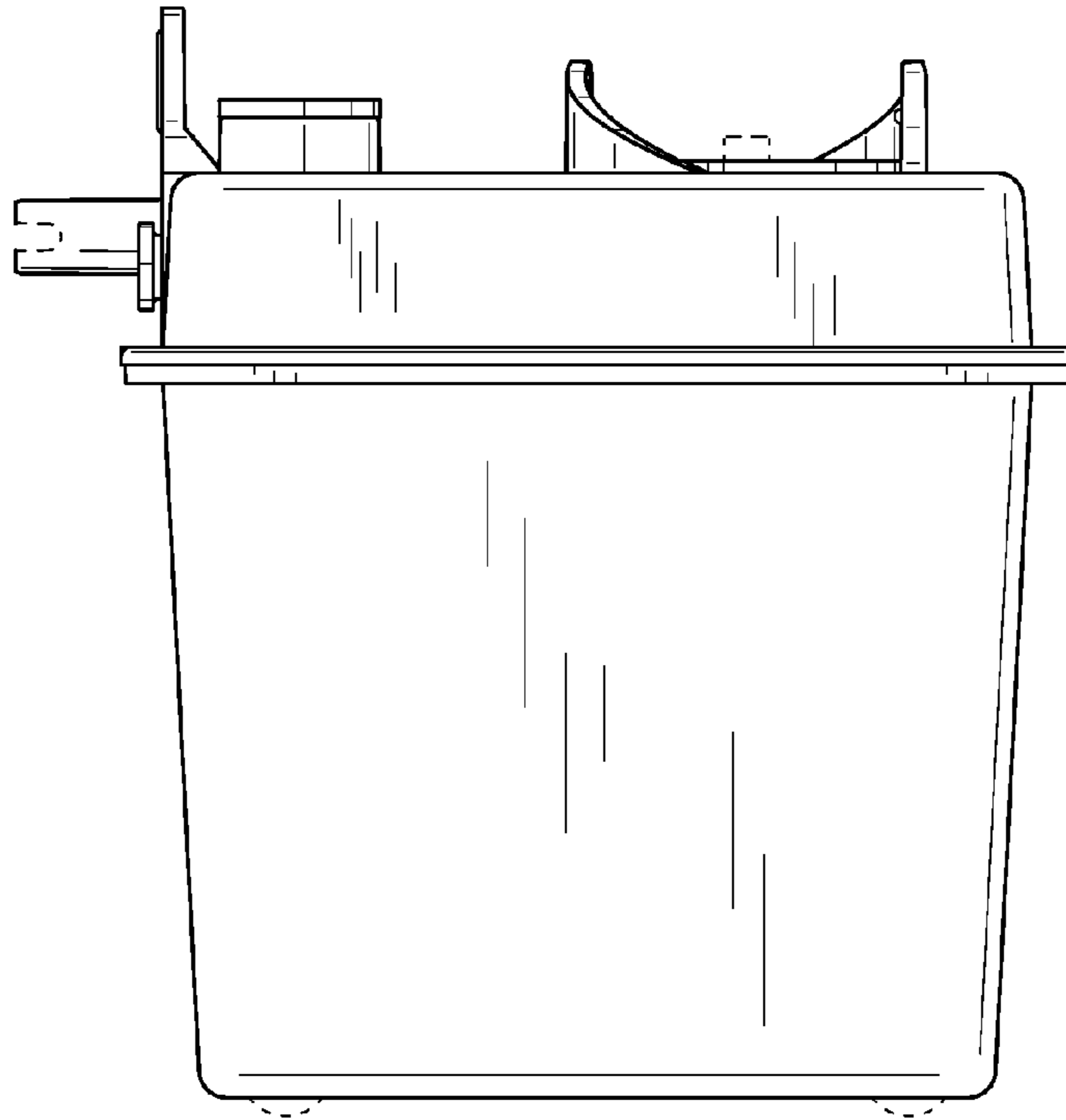


FIG. 3

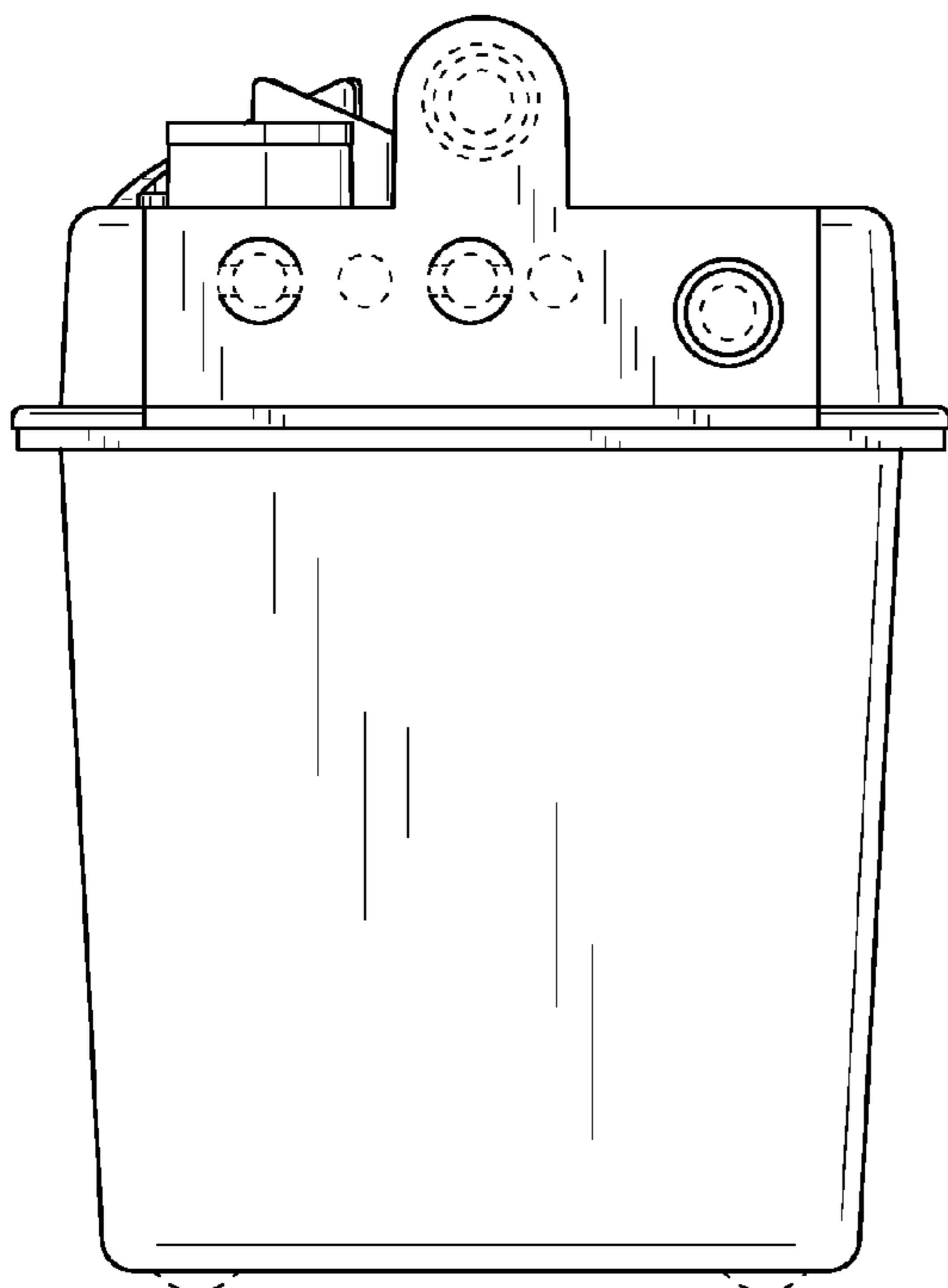


FIG. 4

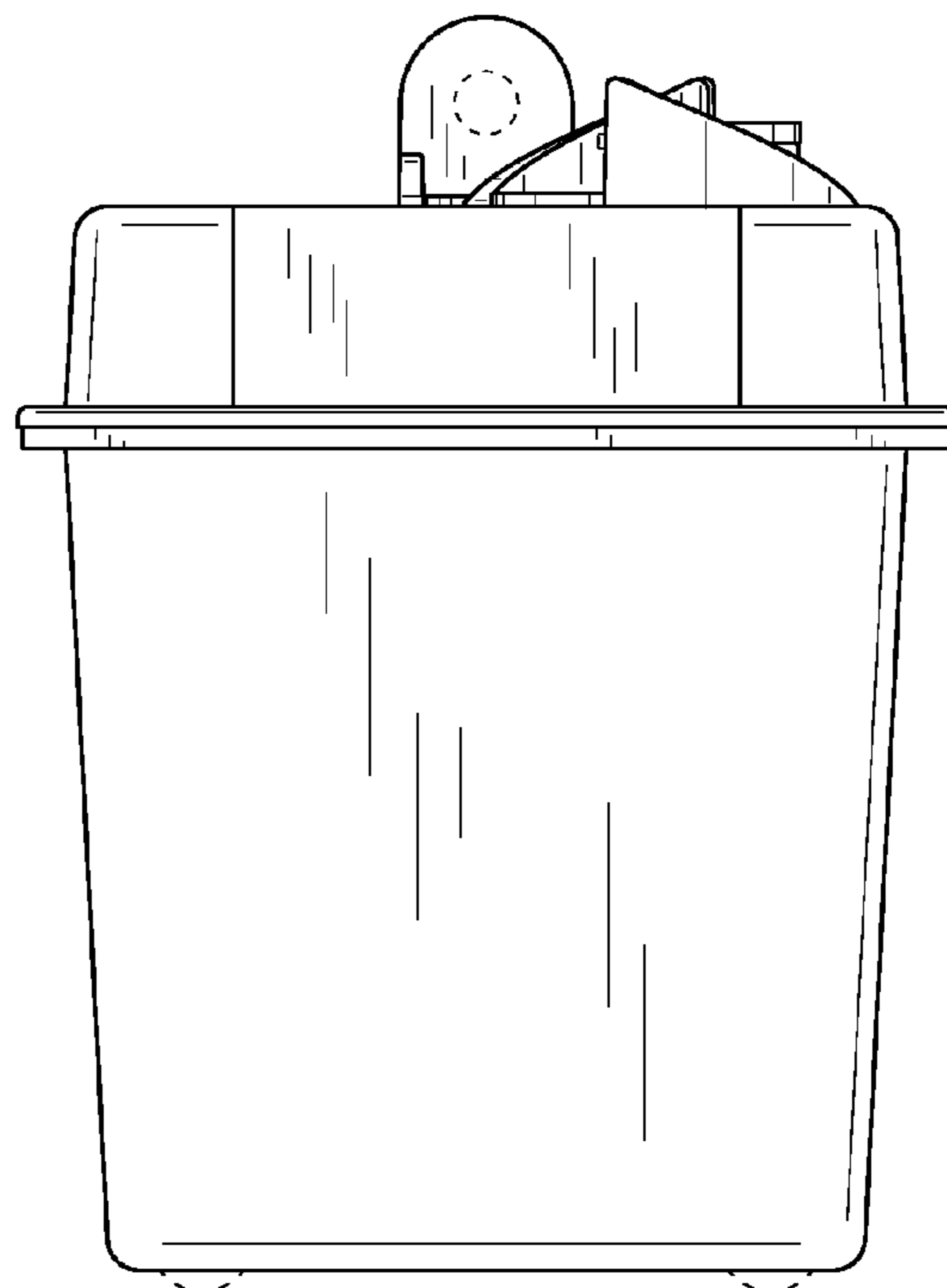


FIG. 5

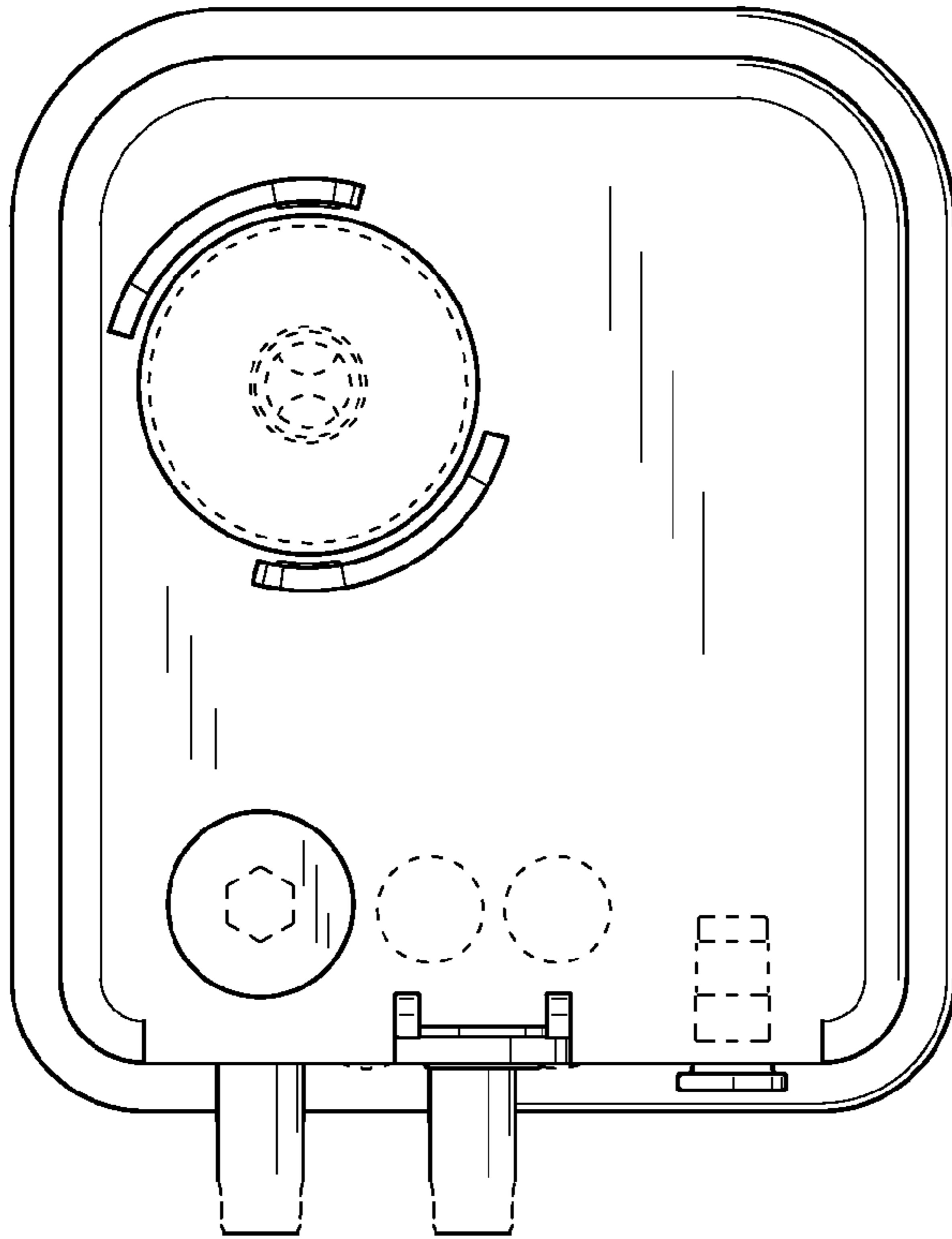


FIG. 6

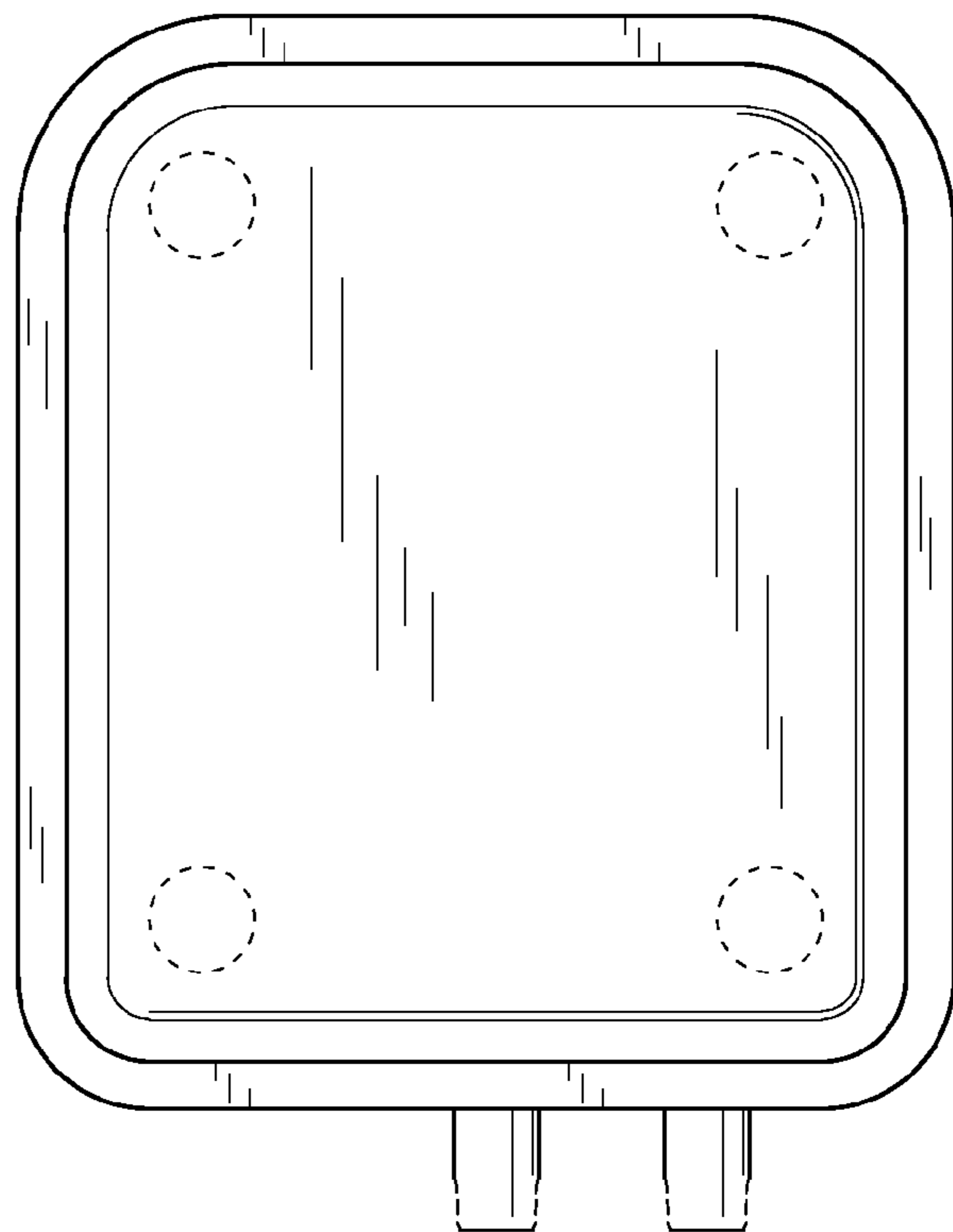


FIG. 7

UNITED STATES PATENT AND TRADEMARK OFFICE
CERTIFICATE OF CORRECTION

PATENT NO. : D665,019 S
APPLICATION NO. : 29/392305
DATED : August 7, 2012
INVENTOR(S) : Steven Mark Hatch et al.

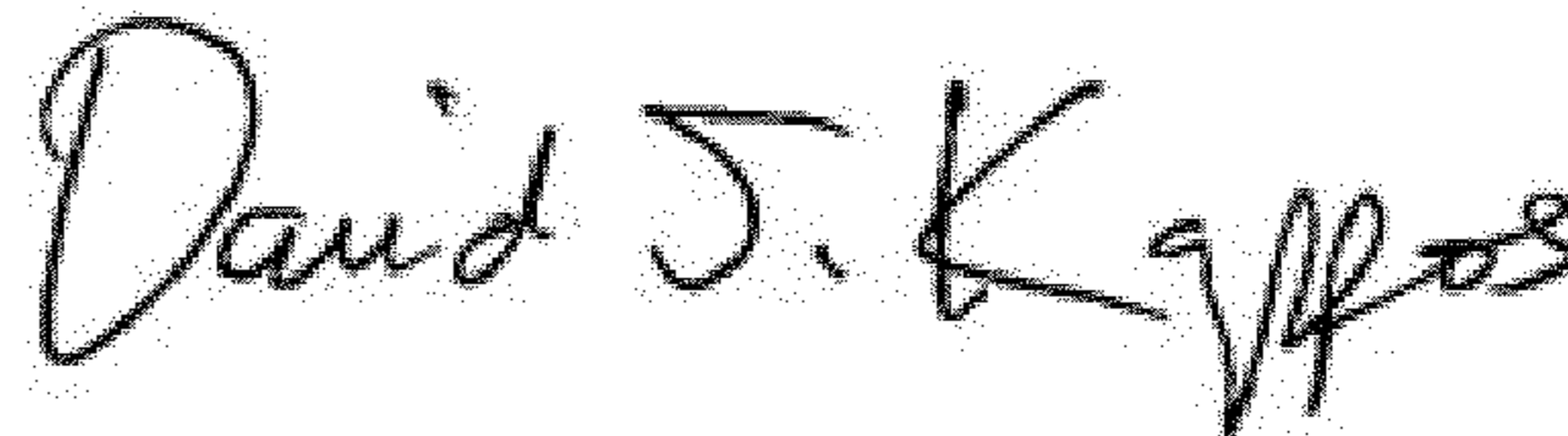
Page 1 of 1

It is certified that error appears in the above-identified patent and that said Letters Patent is hereby corrected as shown below:

Front page of patent, Item (30) insert --**Claim of Priority:** United Kingdom Patent Application No. 4017870, filed on November 19, 2010--.

Description, line 10, “; and,” should be --; and--.

Signed and Sealed this
Second Day of October, 2012

A handwritten signature in black ink that reads "David J. Kappos". The signature is written in a cursive style with a large, stylized 'D' and 'K'.

David J. Kappos
Director of the United States Patent and Trademark Office