



US00D665018S

(12) **United States Design Patent**
Hatch et al.

(10) **Patent No.:** **US D665,018 S**

(45) **Date of Patent:** **** *Aug. 7, 2012**

(54) **PRINTER MAKE-UP CARTRIDGE**

(75) Inventors: **Steven Mark Hatch**, Longstanton (GB);
Stuart Mark Walkington, St. Albans
(GB); **Brian Patrick Guinee**, St. Neots
(GB); **Gareth Huw Lloyd**, Thaxted
(GB)

(73) Assignee: **Domino Printing Sciences PLC** (GB)

(*) Notice: This patent is subject to a terminal disclaimer.

(**) Term: **14 Years**

(21) Appl. No.: **29/392,288**

(22) Filed: **May 19, 2011**

(51) **LOC (9) Cl.** **18-02**

(52) **U.S. Cl.** **D18/56**

(58) **Field of Classification Search** D18/43,
D18/56; 347/86-87, 29, 36, 73
See application file for complete search history.

(56) **References Cited**

U.S. PATENT DOCUMENTS

| | | | | | | |
|-----------|----|---|---------|----------------|-------|--------|
| D368,275 | S | * | 3/1996 | Sakurai et al. | | D18/56 |
| D378,660 | S | * | 4/1997 | Ota et al. | | D18/56 |
| D395,914 | S | * | 7/1998 | Yoshino et al. | | D18/43 |
| 5,970,273 | A | * | 10/1999 | Zenk et al. | | 399/12 |
| D424,611 | S | * | 5/2000 | Gasvoda et al. | | D18/56 |
| D426,850 | S | * | 6/2000 | Coiner et al. | | D18/56 |
| D444,814 | S | * | 7/2001 | Hunt | | D18/56 |
| D455,778 | S | * | 4/2002 | Katsuyama | | D18/43 |
| 6,471,333 | B1 | * | 10/2002 | Powell et al. | | 347/86 |
| D472,918 | S | * | 4/2003 | Ueno et al. | | D18/56 |

| | | | | | | |
|--------------|----|---|---------|-----------------|-------|--------|
| 6,585,359 | B1 | * | 7/2003 | Gasvoda et al. | | 347/86 |
| D485,858 | S | * | 1/2004 | Sugata et al. | | D18/56 |
| D485,920 | S | * | 1/2004 | Yoneyama | | D26/28 |
| 7,287,843 | B2 | * | 10/2007 | Muranaka et al. | | 347/86 |
| 7,458,665 | B2 | * | 12/2008 | Batista et al. | | 347/86 |
| D611,531 | S | * | 3/2010 | Hatasa et al. | | D18/56 |
| 7,984,980 | B2 | * | 7/2011 | Kachi | | 347/86 |
| 2004/0001128 | A1 | * | 1/2004 | Hung | | 347/86 |
| 2007/0064072 | A1 | * | 3/2007 | Katayama | | 347/86 |

* cited by examiner

Primary Examiner — Cathy A MacCormac

(74) *Attorney, Agent, or Firm* — Price Heneveld LLP

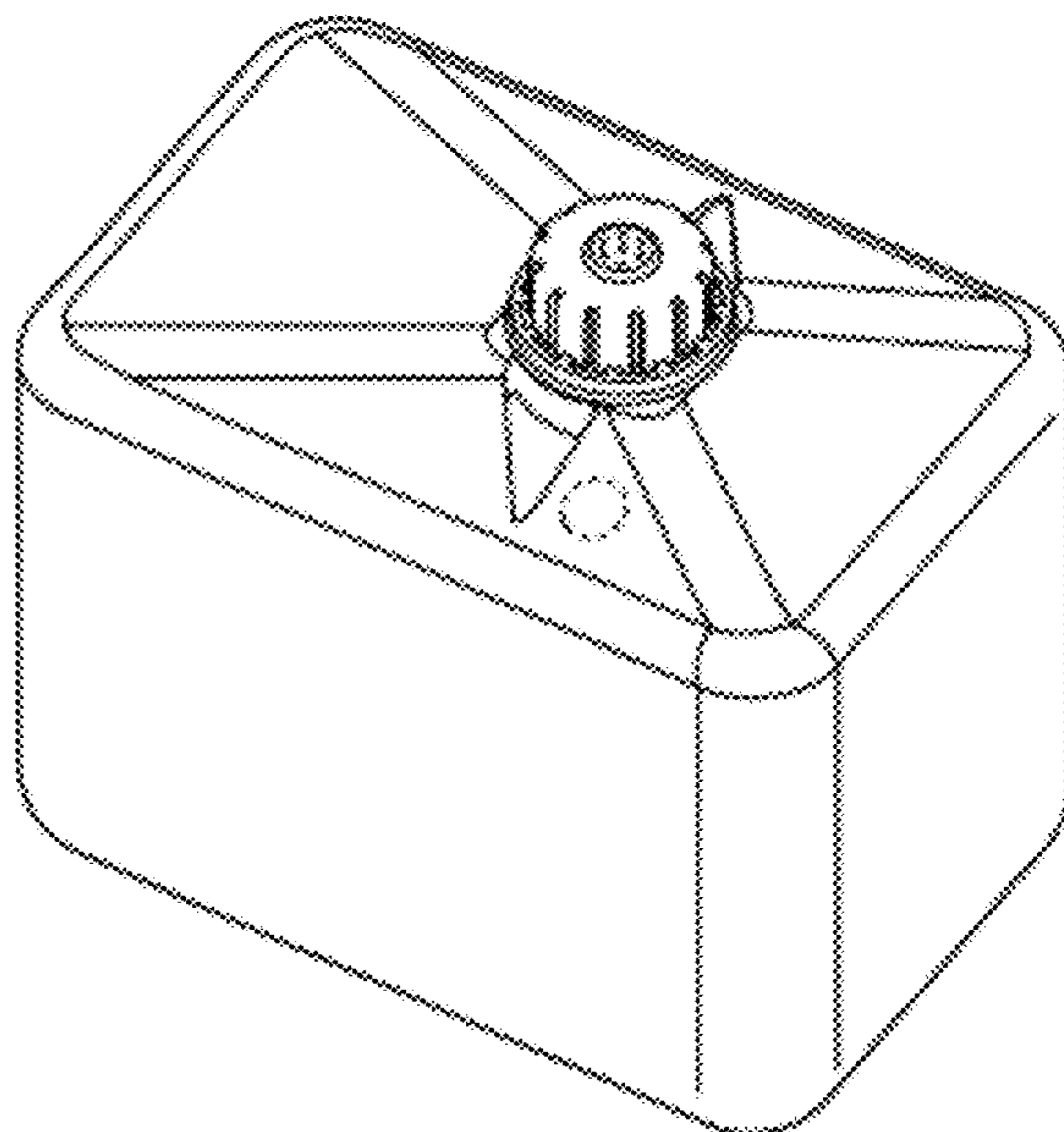
(57) **CLAIM**

I claim the ornamental design for printer make-up cartridge, as shown.

DESCRIPTION

FIG. 1 is a perspective view of a top, rear, and left side of a printer make-up cartridge;
FIG. 2 is a front elevational view of the printer make-up cartridge;
FIG. 3 is a rear elevational view of the printer make-up cartridge;
FIG. 4 is a right side elevational view of the printer make-up cartridge;
FIG. 5 is a left side elevational view of the printer make-up cartridge;
FIG. 6 is a perspective view of the bottom, front, and left side of the printer make-up cartridge;
FIG. 7 is a top plan view of the printer make-up cartridge; and,
FIG. 8 is a bottom plan view of the printer make-up cartridge.
The broken lines are for illustration only and form no part of the claimed design.

1 Claim, 2 Drawing Sheets



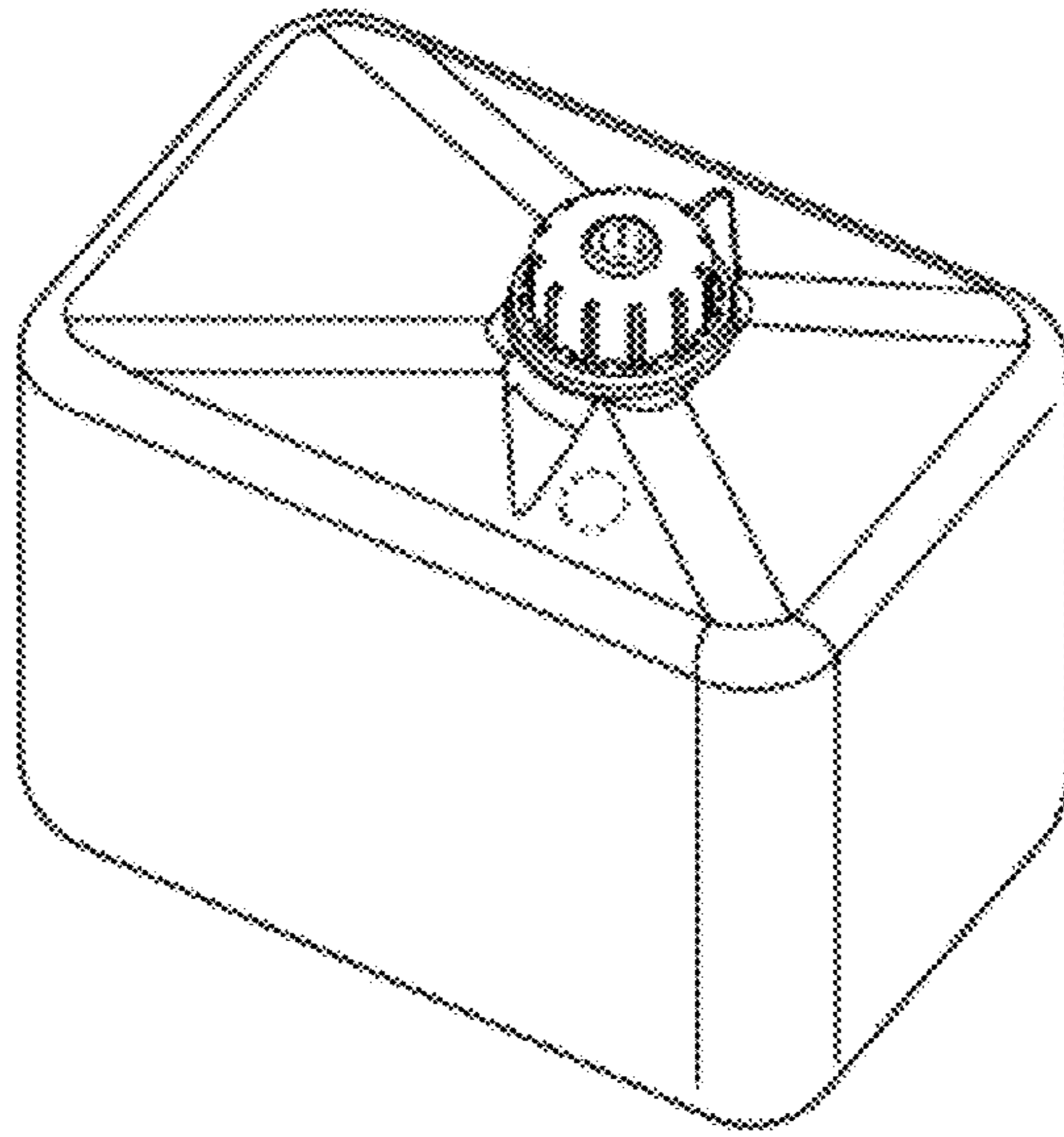


FIG. 1

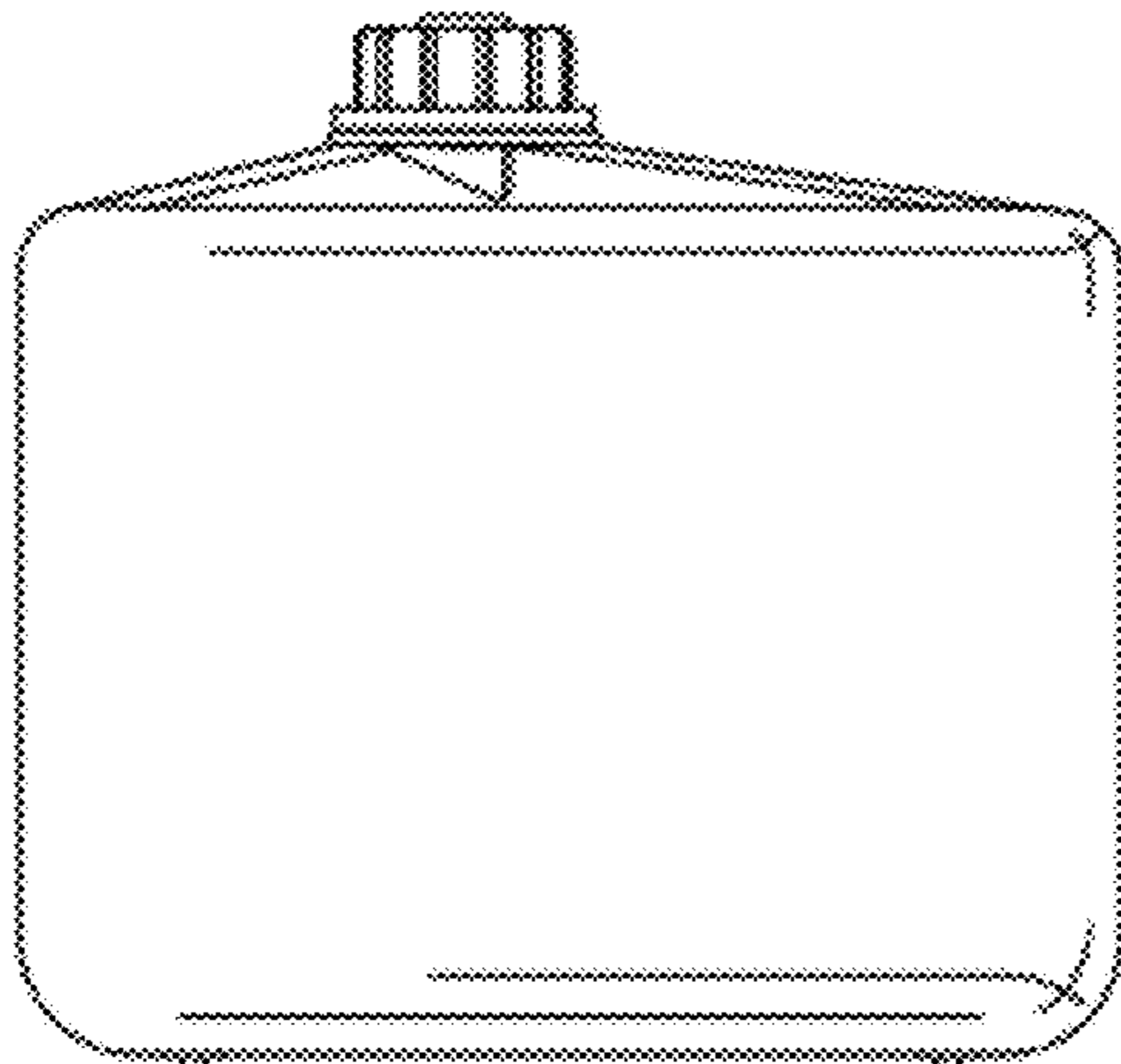


FIG. 2

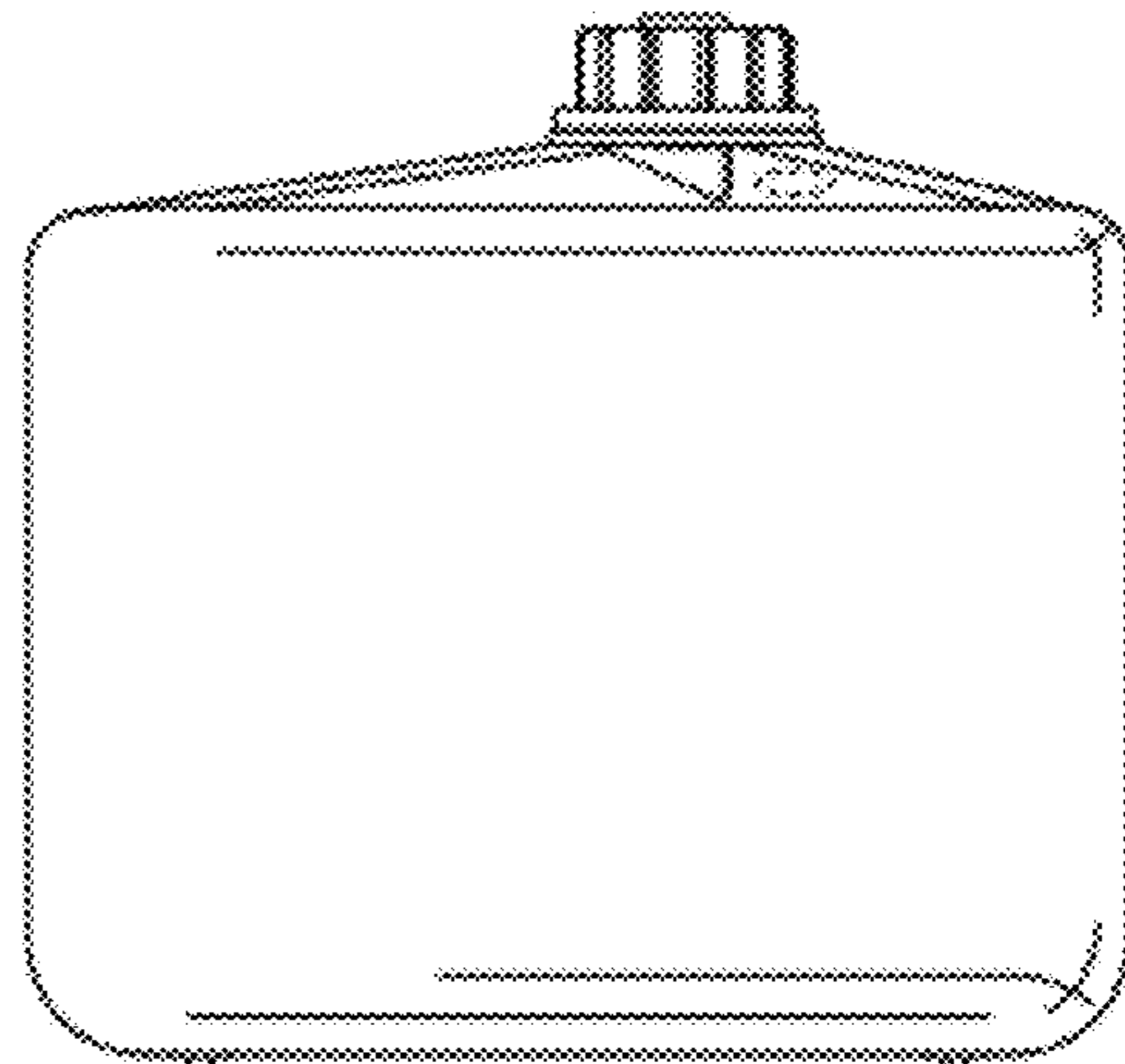


FIG. 3

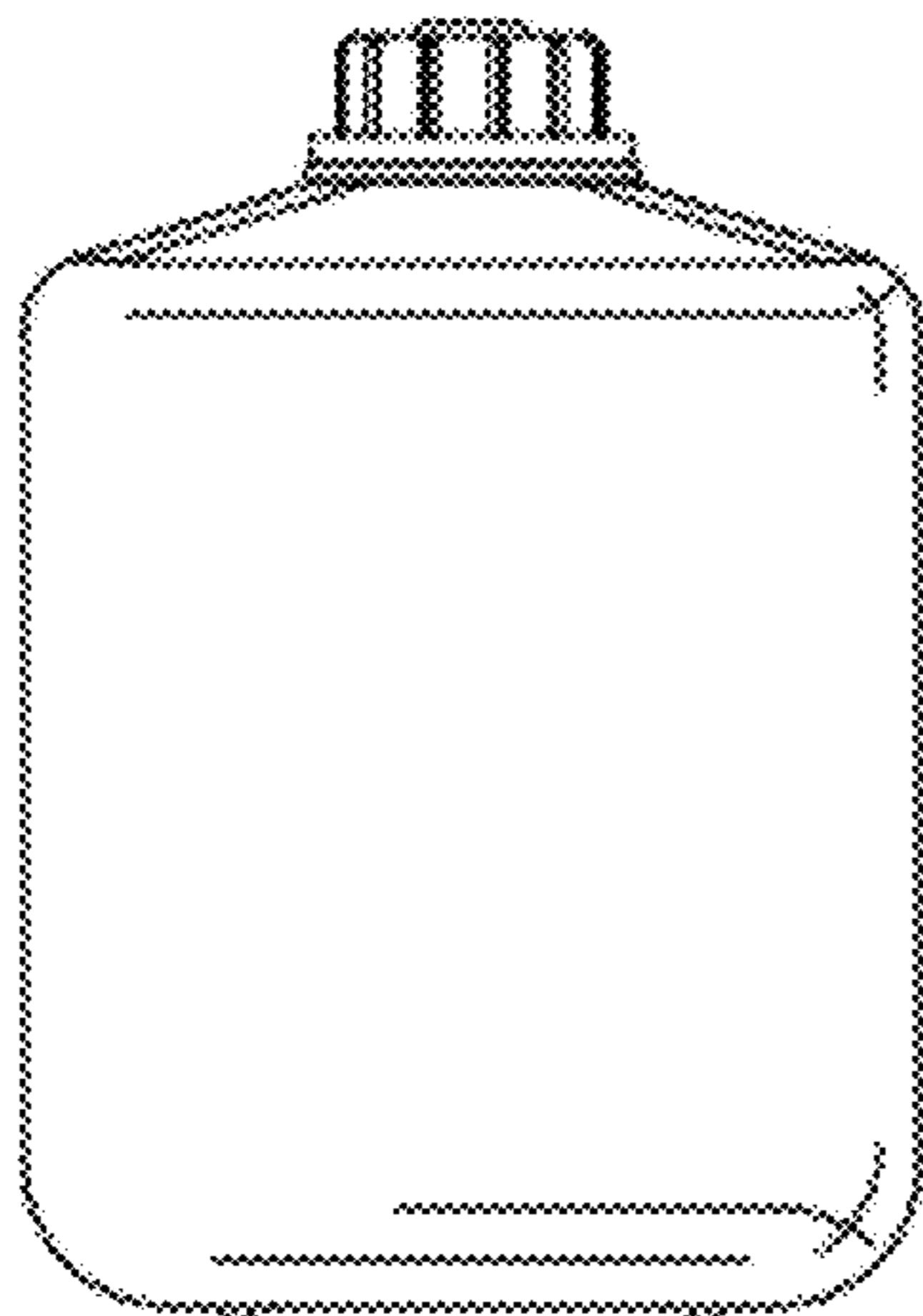


FIG. 4

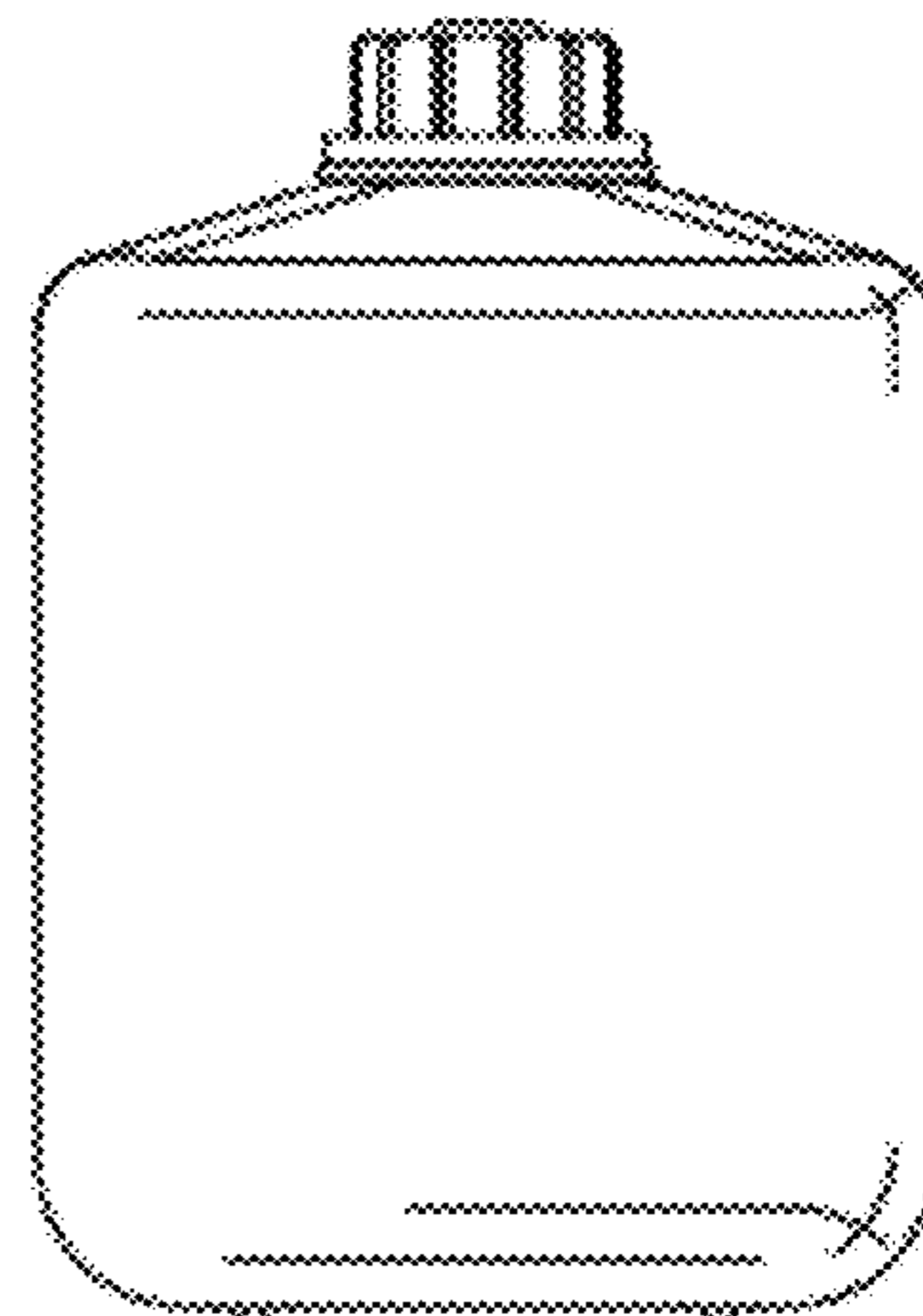


FIG. 5

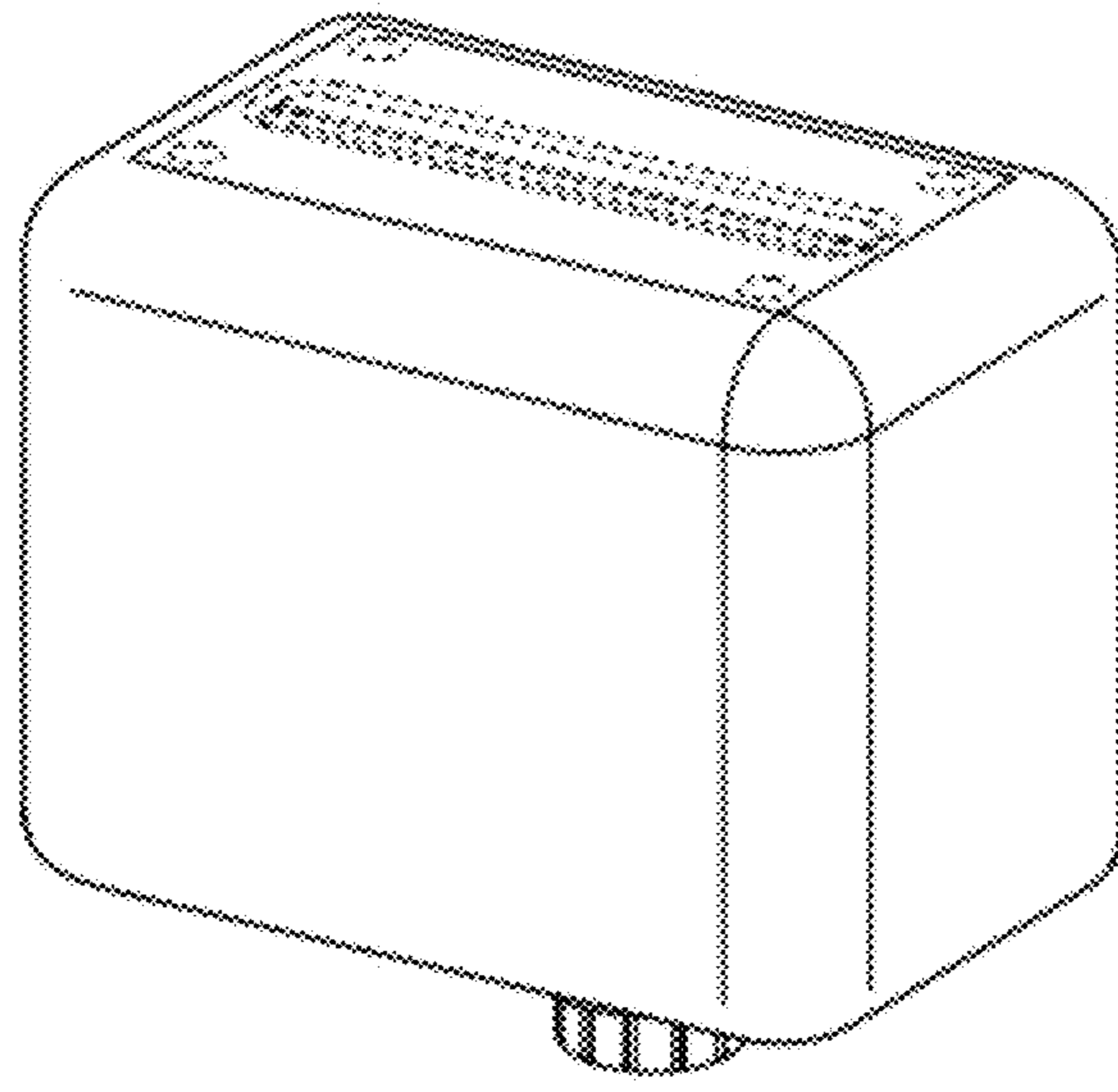


FIG. 6

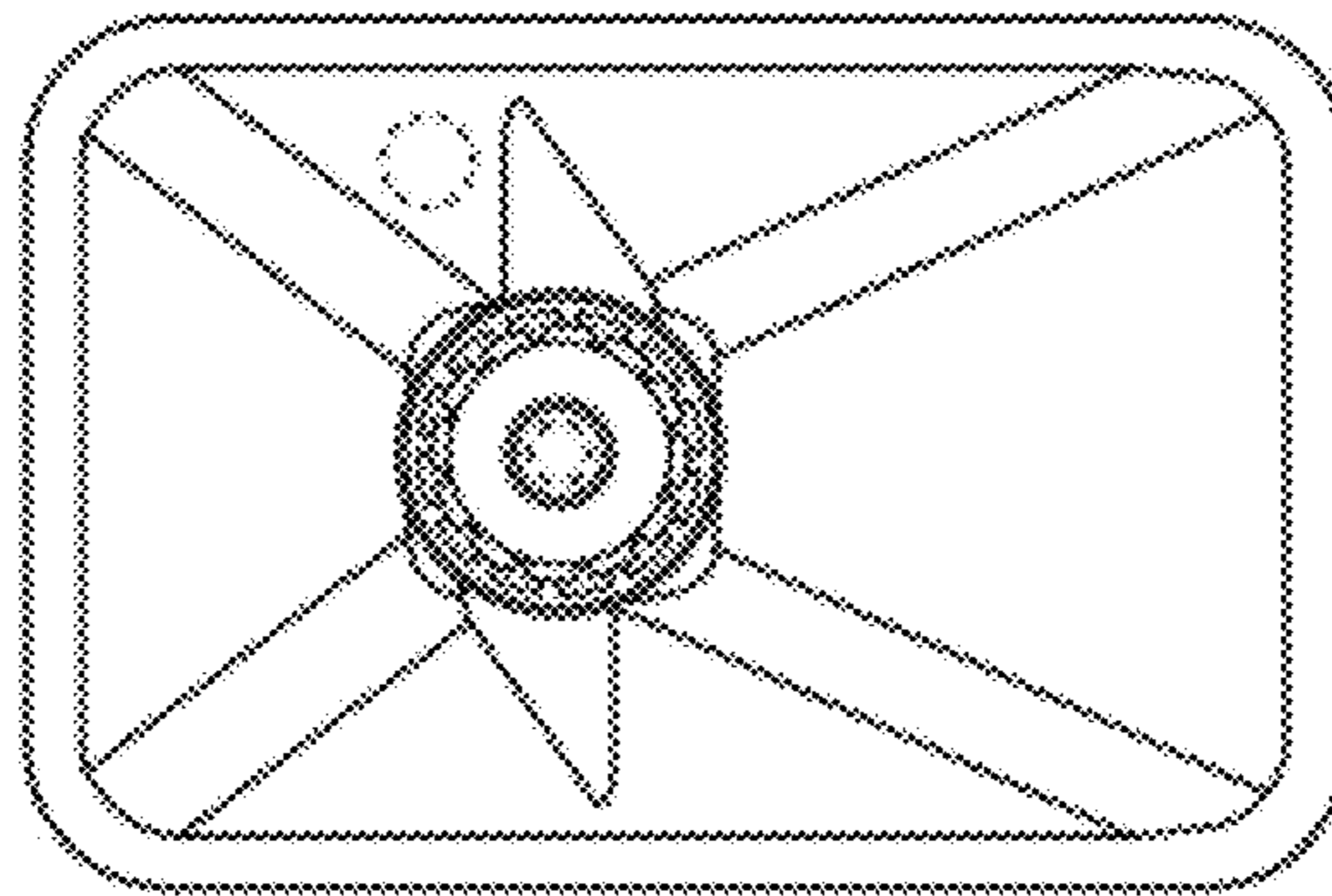


FIG. 7

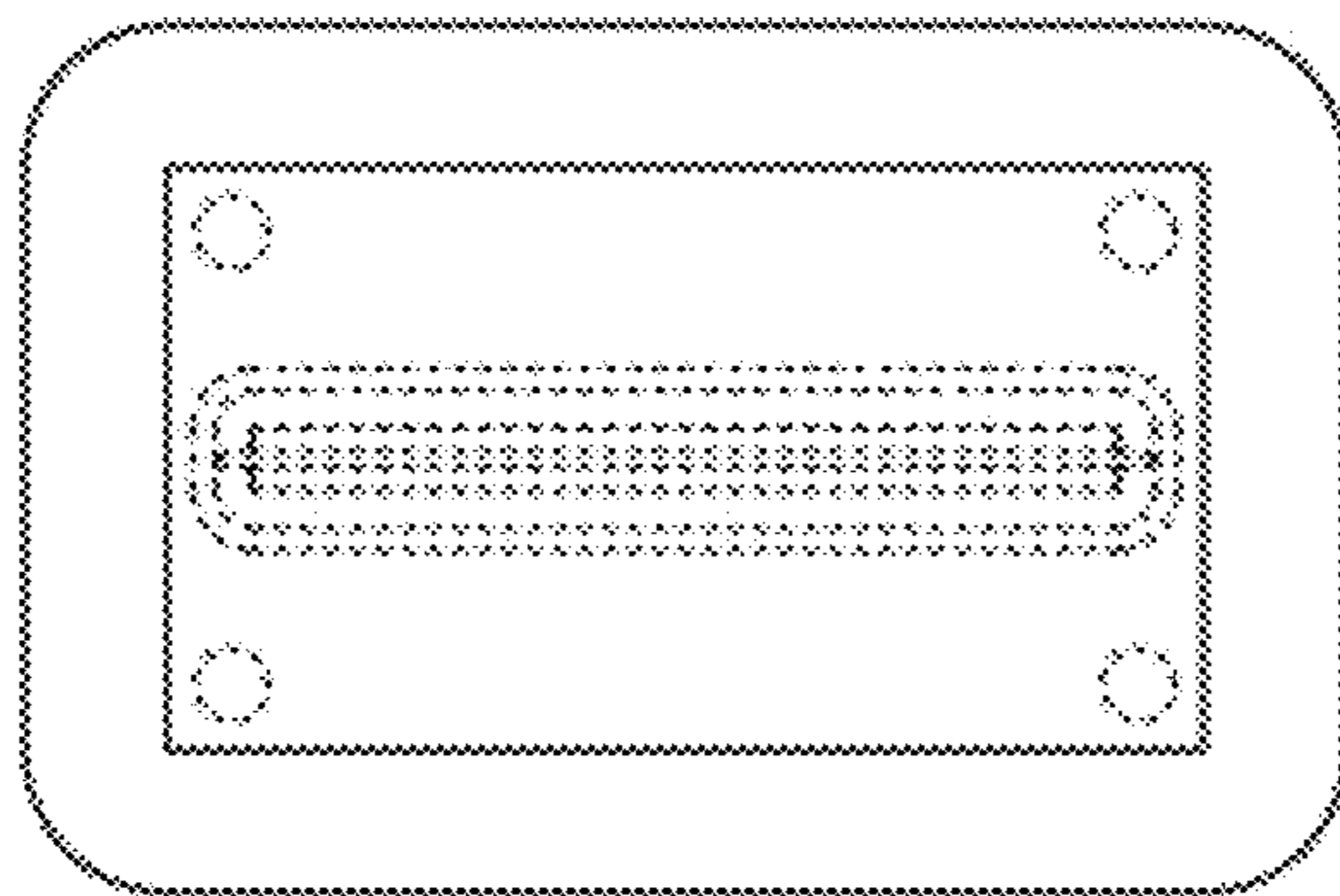


FIG. 8

UNITED STATES PATENT AND TRADEMARK OFFICE
CERTIFICATE OF CORRECTION

PATENT NO. : D665,018 S
APPLICATION NO. : 29/392288
DATED : August 7, 2012
INVENTOR(S) : Stuart Mark Hatch et al.

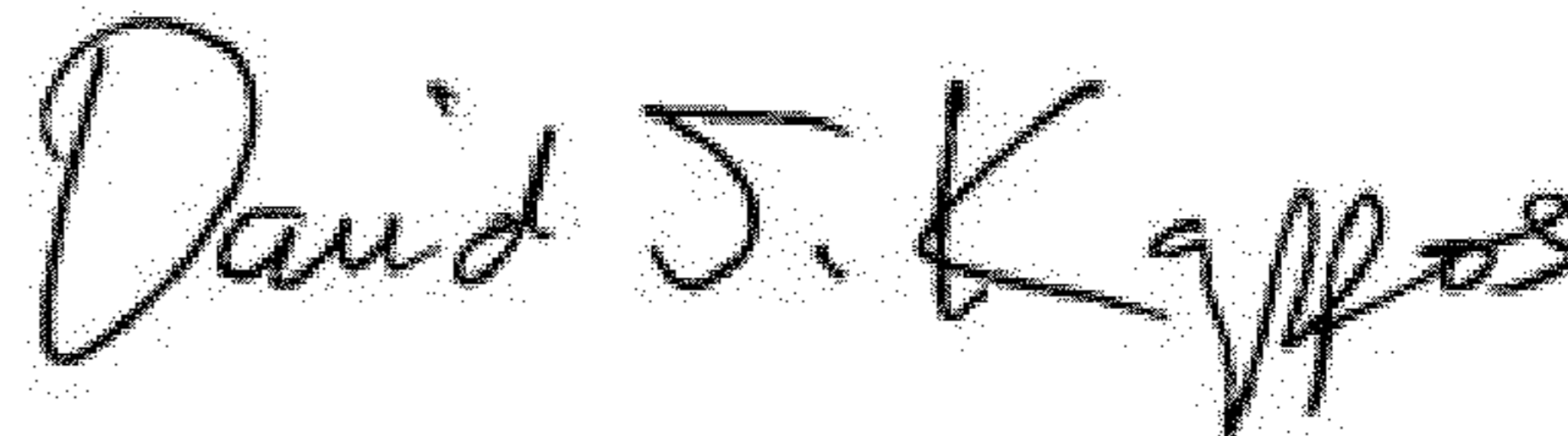
Page 1 of 1

It is certified that error appears in the above-identified patent and that said Letters Patent is hereby corrected as shown below:

On the title page, insert --**Claim of Priority:** United Kingdom Patent Application No. 4017872, filed on November 19, 2010--.

In the description, line 13, “; and,” should be --; and--.

Signed and Sealed this
First Day of January, 2013

A handwritten signature in black ink that reads "David J. Kappos". The signature is written in a cursive, slightly slanted style.

David J. Kappos
Director of the United States Patent and Trademark Office

UNITED STATES PATENT AND TRADEMARK OFFICE
CERTIFICATE OF CORRECTION

PATENT NO. : D665,018 S
APPLICATION NO. : 29/392288
DATED : August 7, 2012
INVENTOR(S) : Steven Mark Hatch et al.

Page 1 of 1

It is certified that error appears in the above-identified patent and that said Letters Patent is hereby corrected as shown below:

On the title page, insert --**Claim of Priority:** United Kingdom Patent Application No. 4017872, filed on November 19, 2010--.

In the description, line 13, “; and,” should be --; and--.

This certificate supersedes the Certificate of Correction issued January 1, 2013.

Signed and Sealed this
Twenty-second Day of October, 2013



Teresa Stanek Rea
Deputy Director of the United States Patent and Trademark Office