



US00D665014S

(12) **United States Design Patent**
Matsuno et al.

(10) **Patent No.:** **US D665,014 S**

(45) **Date of Patent:** **** Aug. 7, 2012**

(54) **PRINTER**

(75) Inventors: **Atsuhiko Matsuno**, Azumino (JP);
Kenji Oshima, Nagano (JP); **Yukiko Koshi**, Shiojiri (JP); **Ichiro Yoshioka**,
Matsumoto (JP); **Takaaki Ishikawa**,
Matsumoto (JP)

(73) Assignee: **Seiko Epson Corporation**, Tokyo (JP)

(**) Term: **14 Years**

(21) Appl. No.: **29/390,178**

(22) Filed: **Apr. 21, 2011**

(30) **Foreign Application Priority Data**

Dec. 28, 2010 (JP) 2010-031286

(51) **LOC (9) Cl.** **14-02**

(52) **U.S. Cl.** **D18/50**

(58) **Field of Classification Search** D18/36-37,
D18/50, 54, 54.1, 55; D14/420-425, 462-470;
400/613, 613.1-613.4, 690.1-691.4, 691-694

See application file for complete search history.

(56) **References Cited**

U.S. PATENT DOCUMENTS

| | | | |
|--------------|---------|-----------------------|--------|
| D302,439 S * | 7/1989 | Coffey et al. | D18/55 |
| D614,234 S * | 4/2010 | Ishikawa et al. | D18/55 |
| D643,462 S * | 8/2011 | Yamashita et al. | D18/50 |
| D648,377 S * | 11/2011 | Miyauchi et al. | D18/50 |
| D648,378 S * | 11/2011 | Ishikawa et al. | D18/50 |
| D648,379 S * | 11/2011 | Ishikawa et al. | D18/50 |

* cited by examiner

Primary Examiner — Cathy A MacCormac

(57) **CLAIM**

The ornamental design for a printer, as shown and described.

DESCRIPTION

FIG. 1 is a top, front and right side perspective view of a printer showing our new design;
FIG. 2 is a front view thereof;
FIG. 3 is a rear view thereof;
FIG. 4 is a top plan view thereof;
FIG. 5 is a bottom plan view thereof;
FIG. 6 is a right side elevational view thereof; and,
FIG. 7 is a left side elevational view thereof.
The broken lines are shown for illustrative purposes only and form no part of the claimed design.

1 Claim, 3 Drawing Sheets

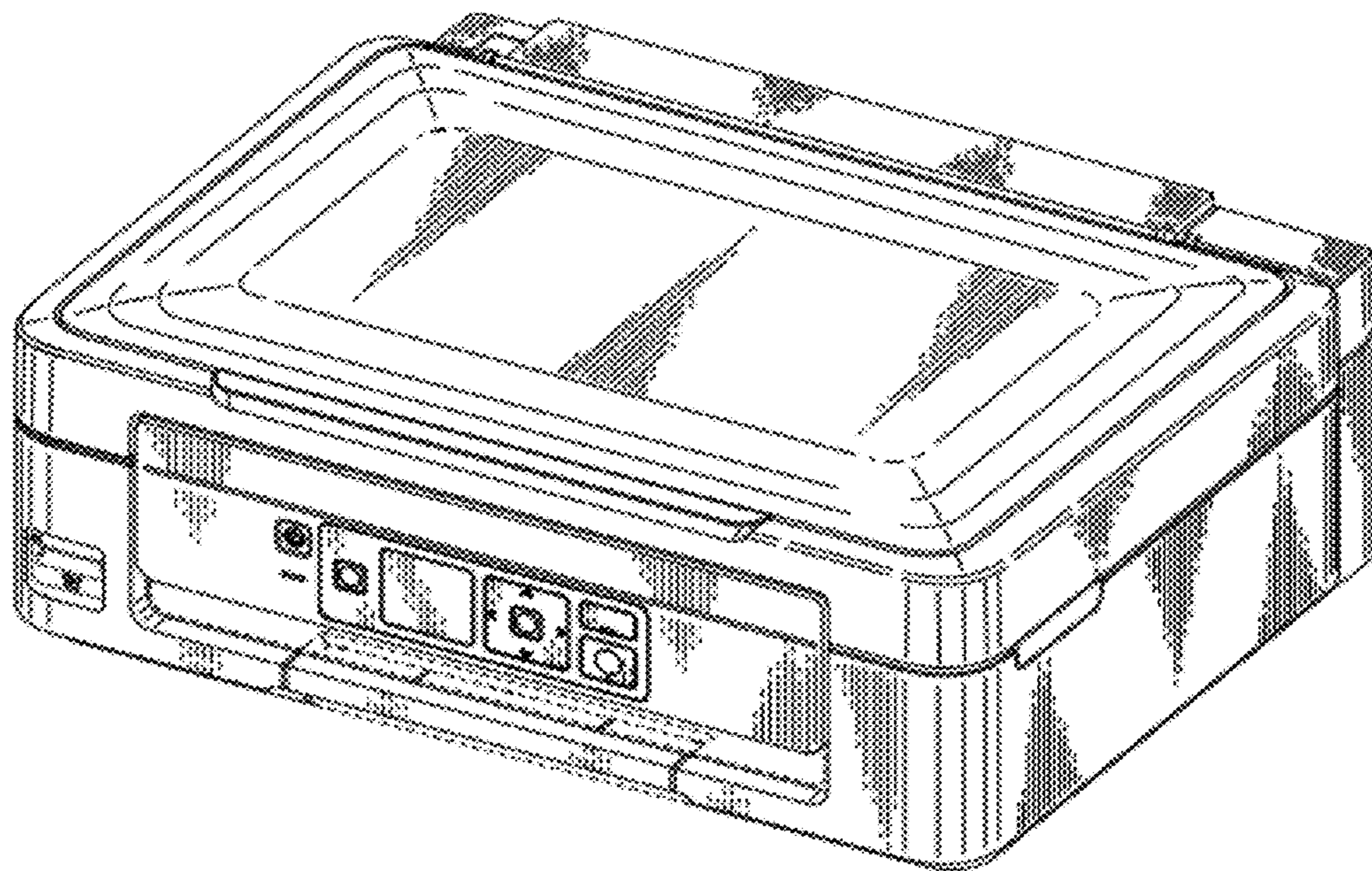


FIG. 1

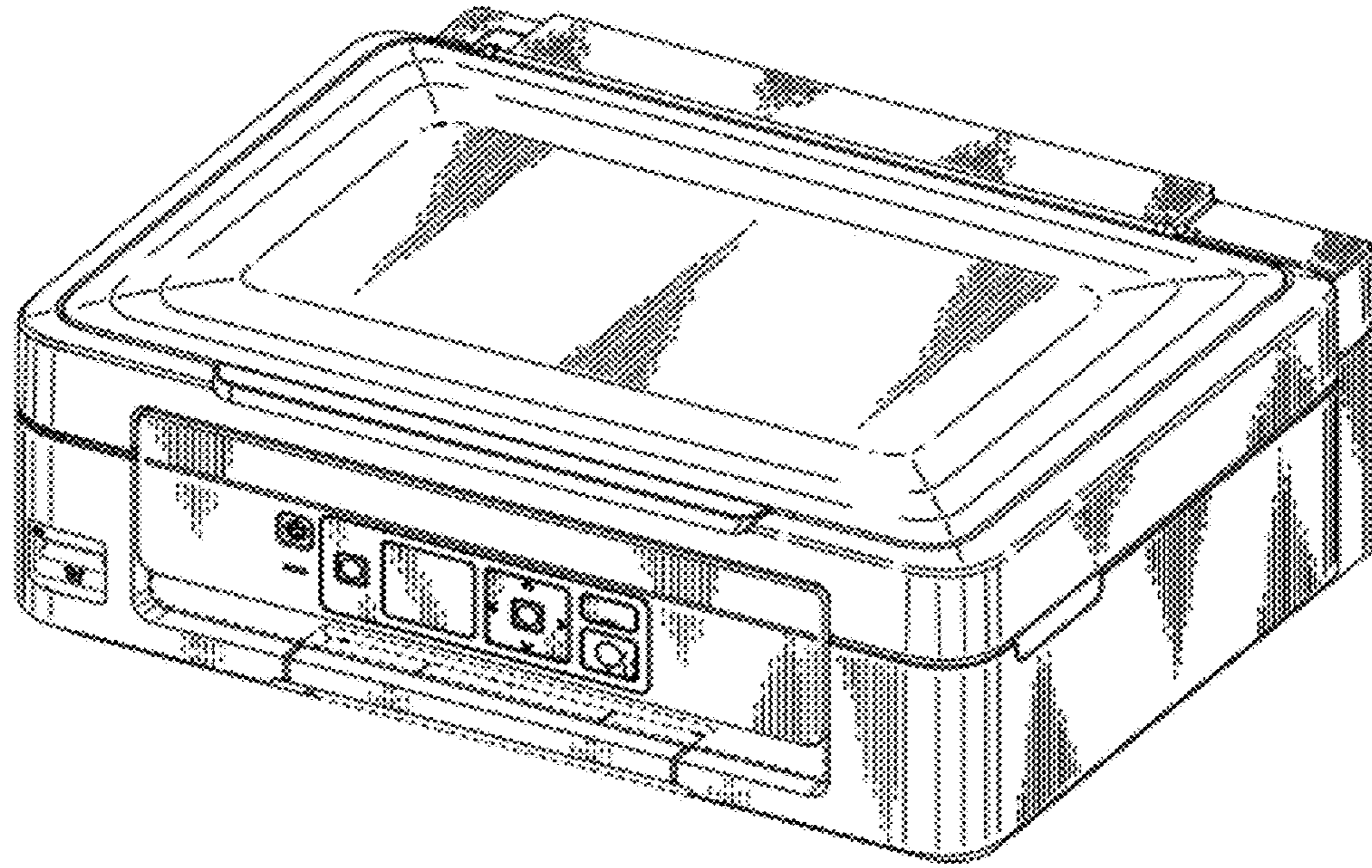


FIG. 2

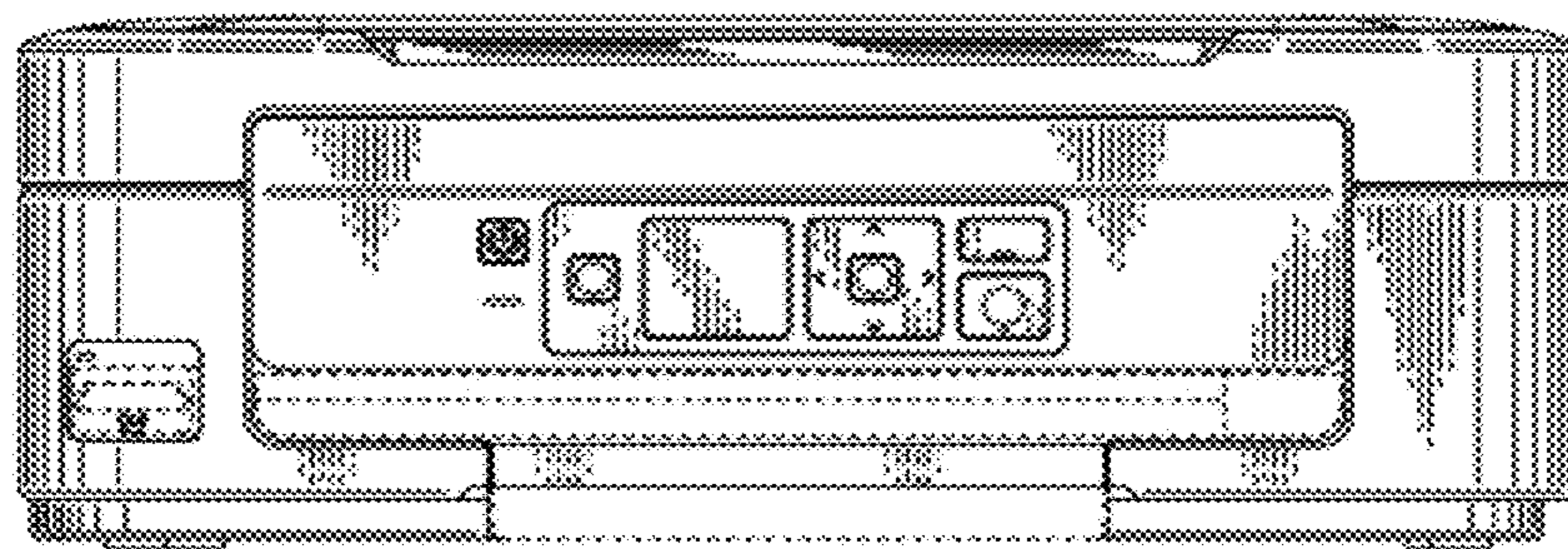


FIG. 3

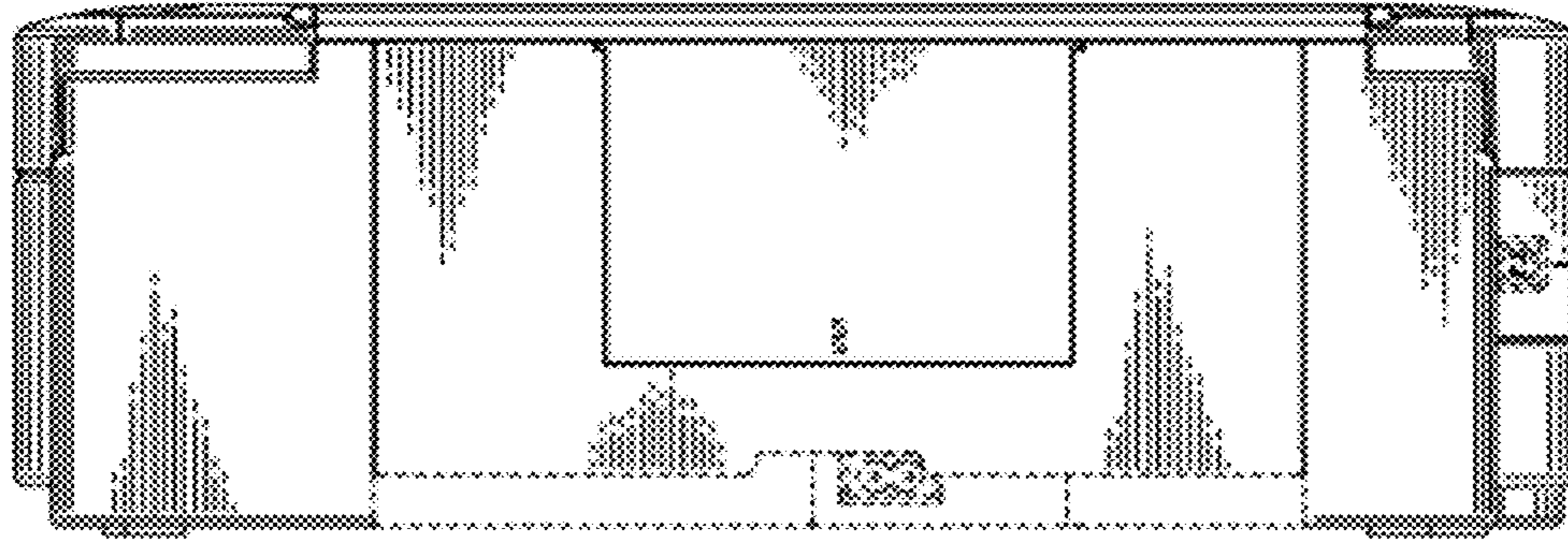


FIG. 4

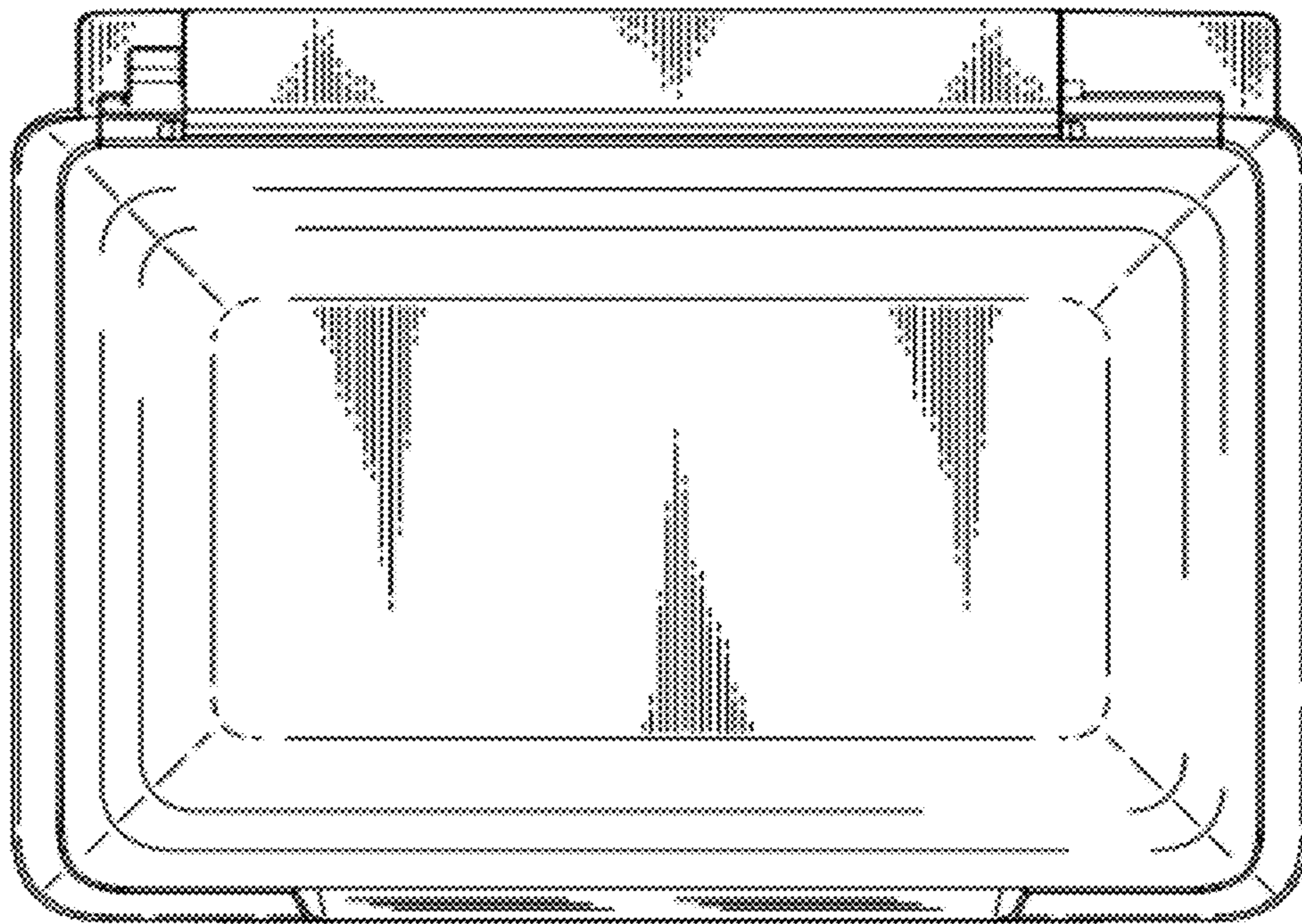


FIG. 5

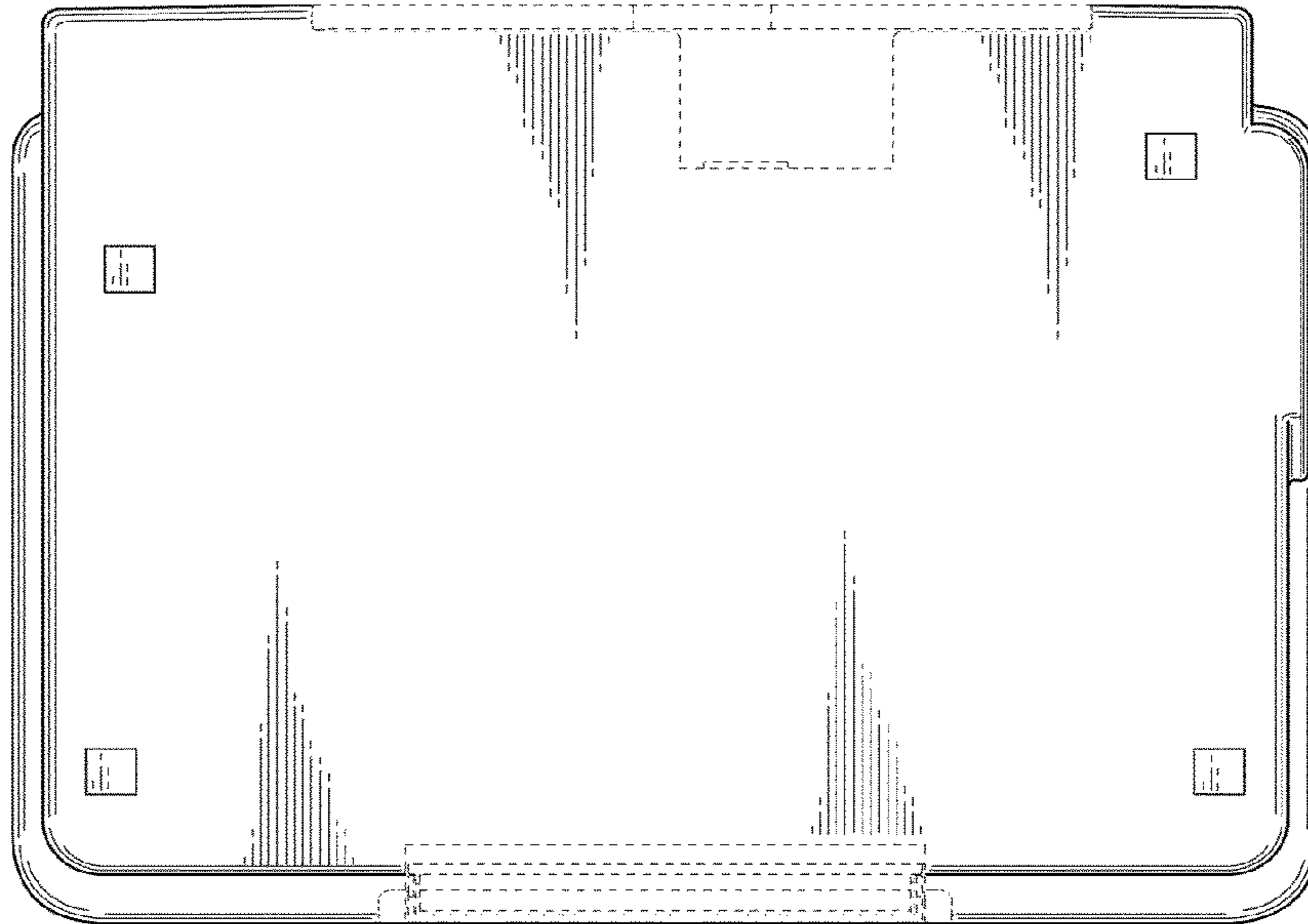


FIG. 6

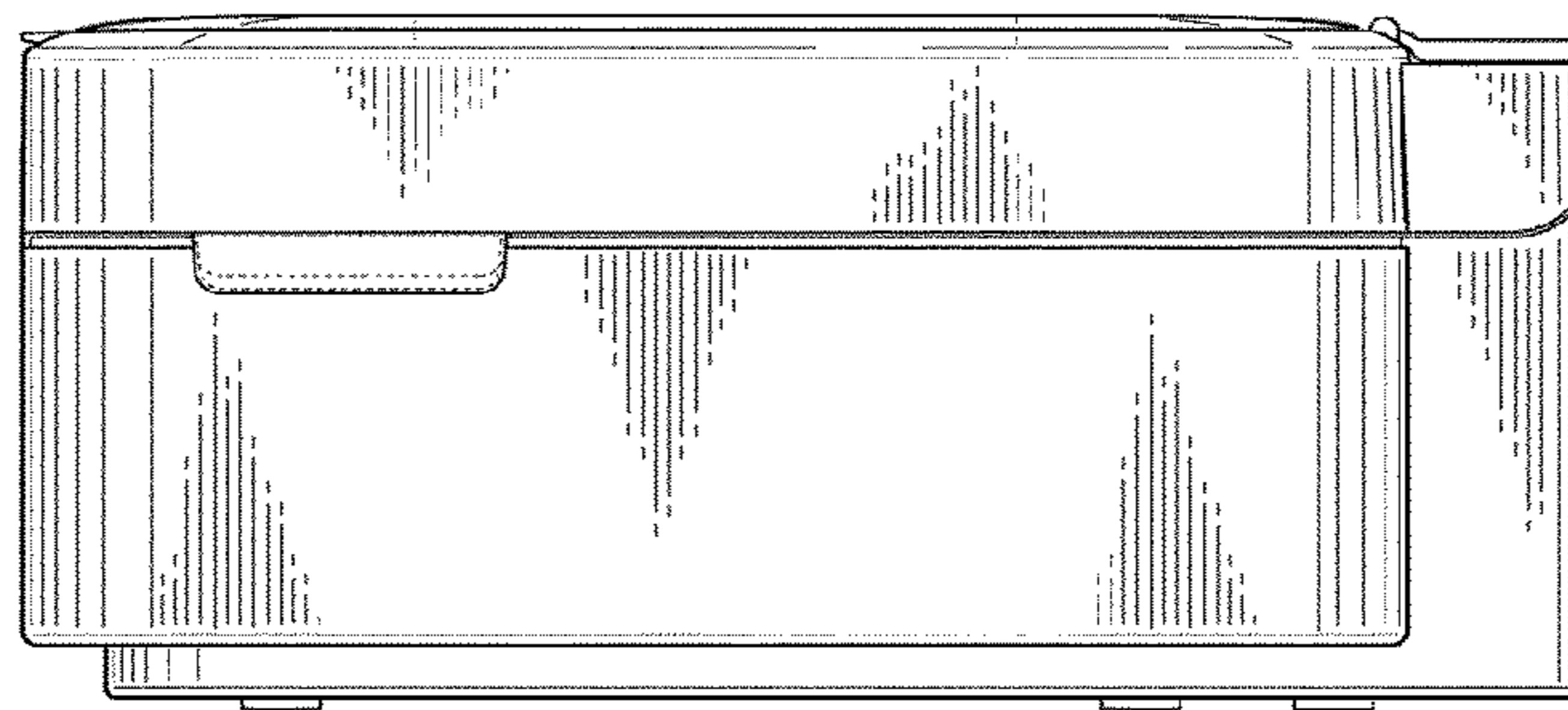


FIG. 7

