



US00D665013S

(12) **United States Design Patent**
Ishikawa et al.

(10) **Patent No.:** **US D665,013 S**
(45) **Date of Patent:** **** Aug. 7, 2012**

(54) **PRINTER**

(56) **References Cited**

(75) Inventors: **Takaaki Ishikawa**, Matsumoto (JP);
Hiroto Miyauchi, Matsumoto (JP);
Shinichiro Yoshikawa, Matsumoto (JP);
Soichiro Kii, Shiojiri (JP); **Yusuke**
Yamashita, Matsumoto (JP)

U.S. PATENT DOCUMENTS

D561,251	S	*	2/2008	Tjin Wong Joe et al.	D18/55
D609,270	S	*	2/2010	Kato et al.	D18/55
D611,091	S	*	3/2010	Ishikawa et al.	D18/55
D613,791	S	*	4/2010	Yoshioka et al.	D18/55
D614,693	S	*	4/2010	Kato et al.	D18/50
D647,958	S	*	11/2011	Yoshioka et al.	D18/50
D648,377	S	*	11/2011	Miyauchi et al.	D18/50
D649,183	S	*	11/2011	Miyauchi et al.	D18/50

(73) Assignee: **Seiko Epson Corporation**, Tokyo (JE)

* cited by examiner

(**) Term: **14 Years**

Primary Examiner — Cathy A MacCormac

(21) Appl. No.: **29/389,340**

(57) **CLAIM**
The ornamental design for a printer, as shown and described.

(22) Filed: **Apr. 11, 2011**

DESCRIPTION

(30) **Foreign Application Priority Data**

Dec. 28, 2010 (JP) 2010-031289

FIG. 1 is a top, front and right side perspective view of a printer showing our new design;
FIG. 2 is a top, rear and left side perspective view thereof;
FIG. 3 is a front view thereof;
FIG. 4 is a rear view thereof;
FIG. 5 is a top plan view thereof;
FIG. 6 is a bottom plan view thereof;
FIG. 7 is a right side elevational view thereof; and,
FIG. 8 is a left side elevational view thereof.
The broken lines are shown for illustrative purposes only and form no part of the claimed design.

(51) **LOC (9) Cl.** **14-02**

(52) **U.S. Cl.** **D18/50**

(58) **Field of Classification Search** D18/36-37,
D18/50, 54, 54.1, 55; D14/420-425, 462-470;
400/613, 613.1-613.4, 690.1-691.4, 691-694
See application file for complete search history.

1 Claim, 4 Drawing Sheets

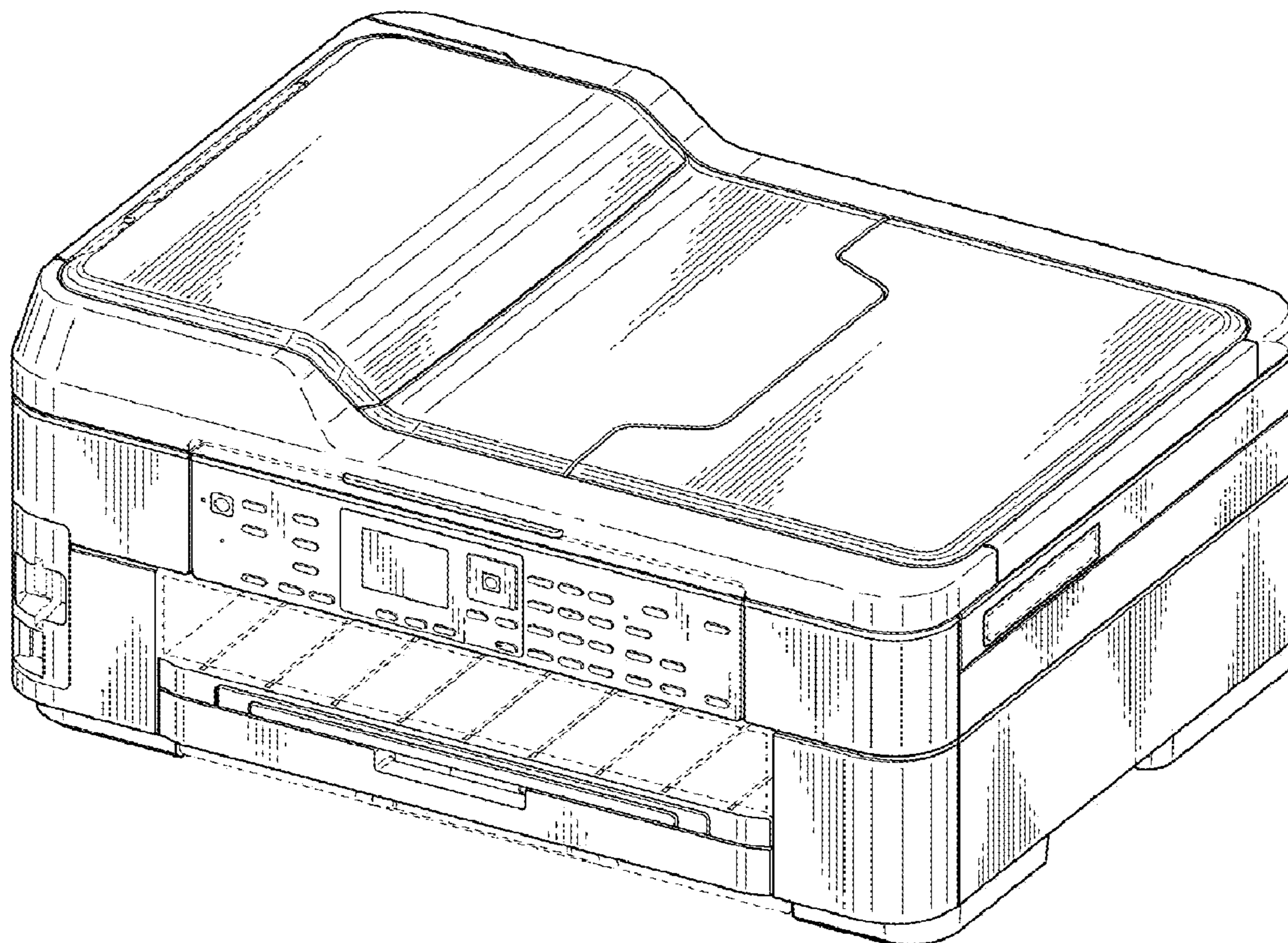


FIG. 1

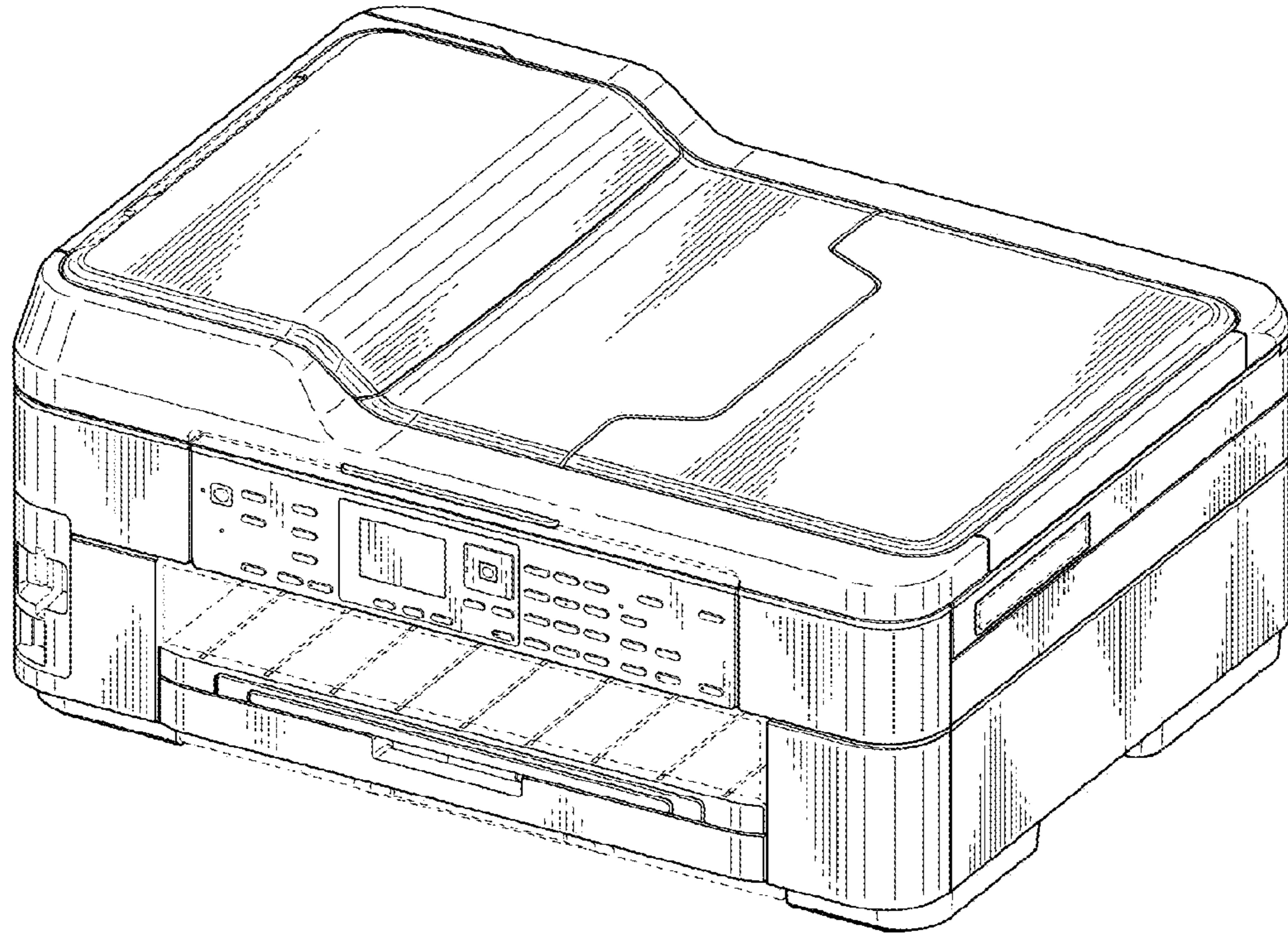


FIG. 2

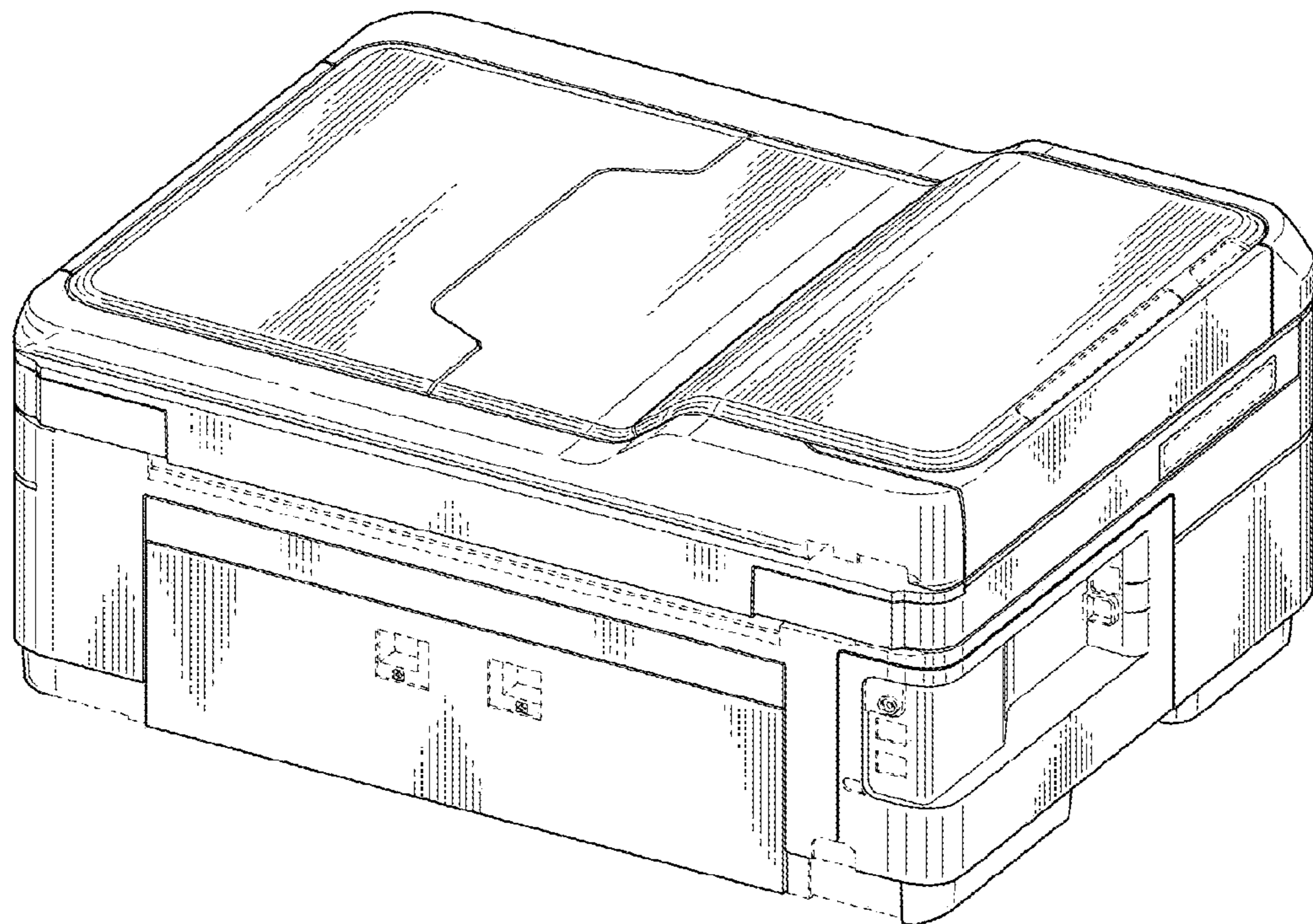


FIG. 3

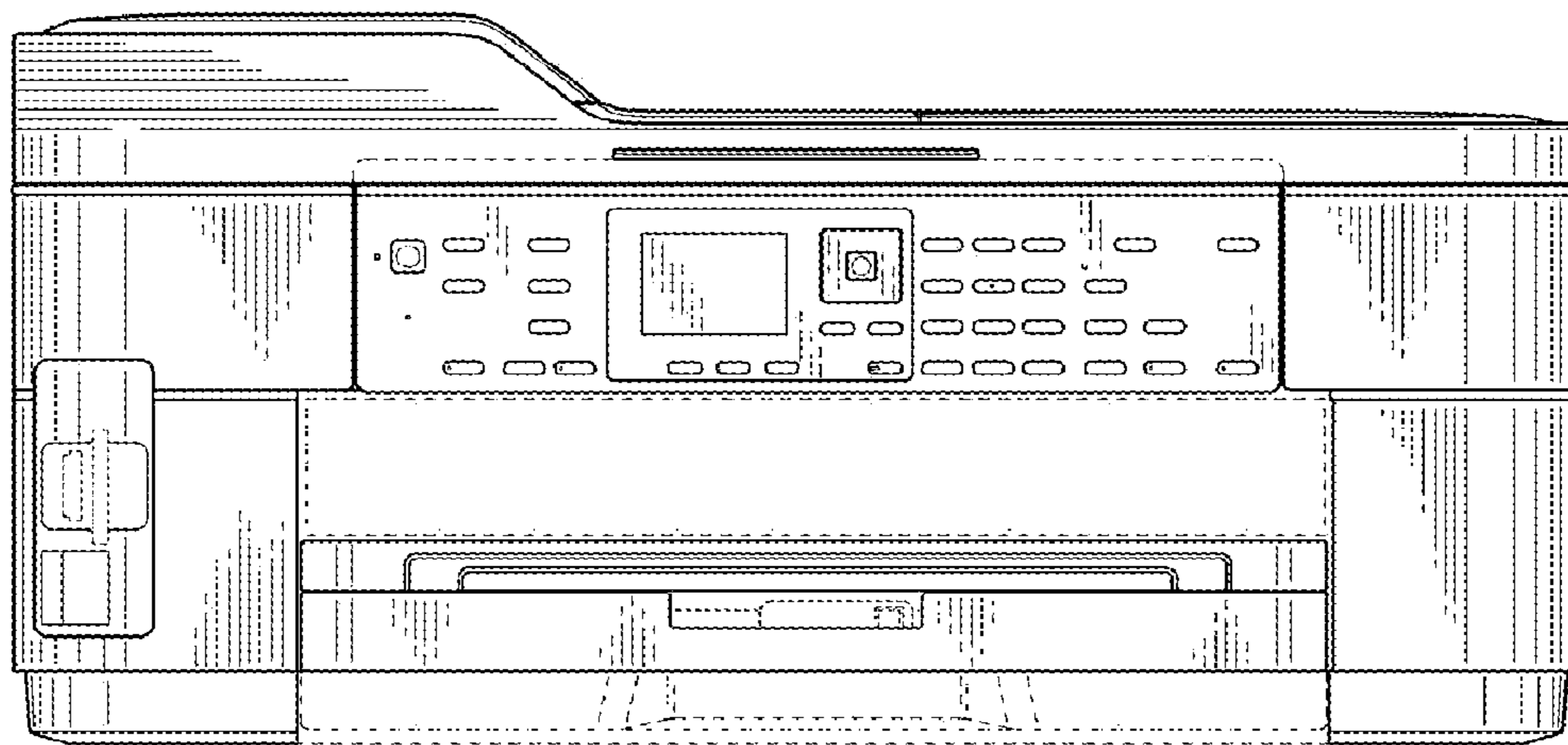


FIG. 4

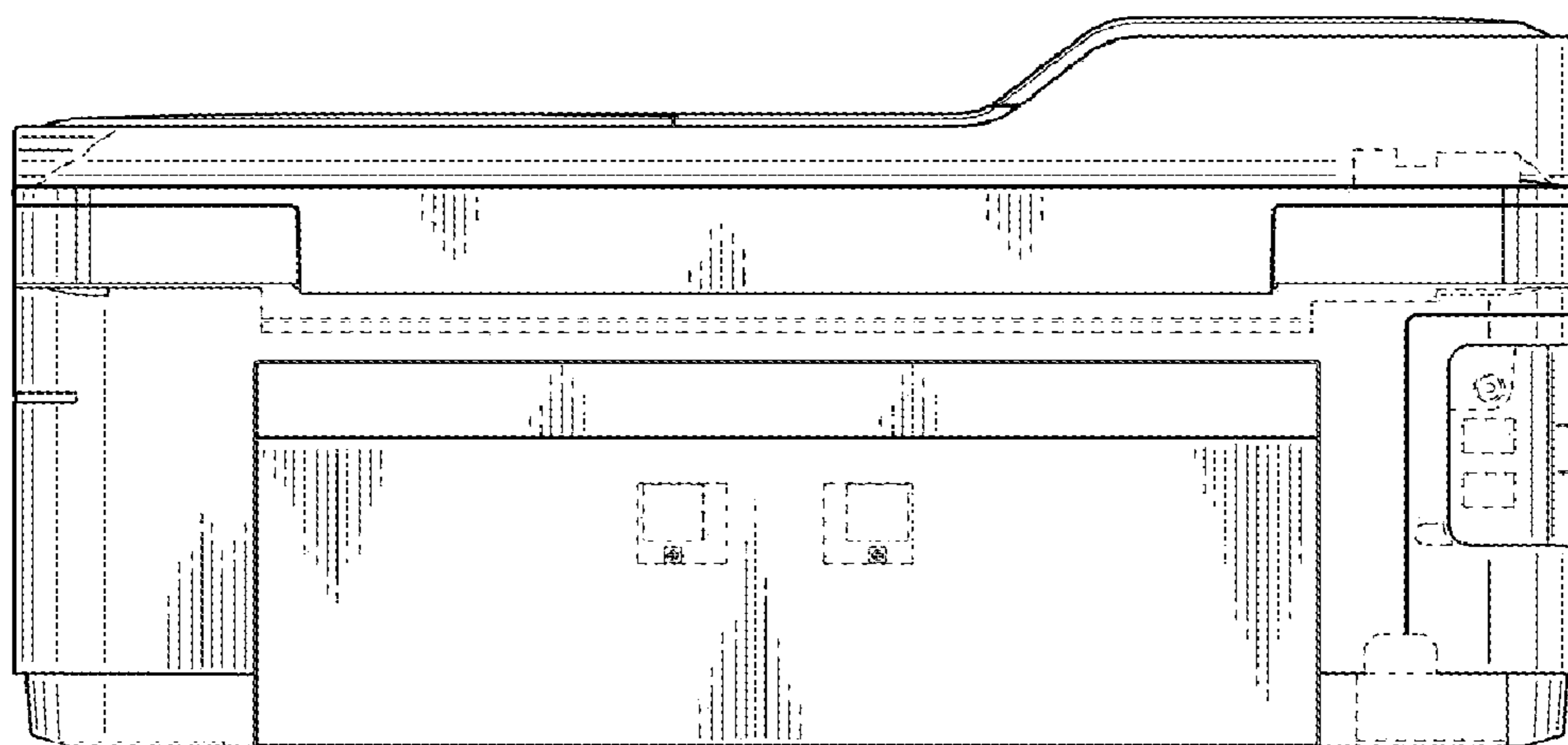


FIG. 5

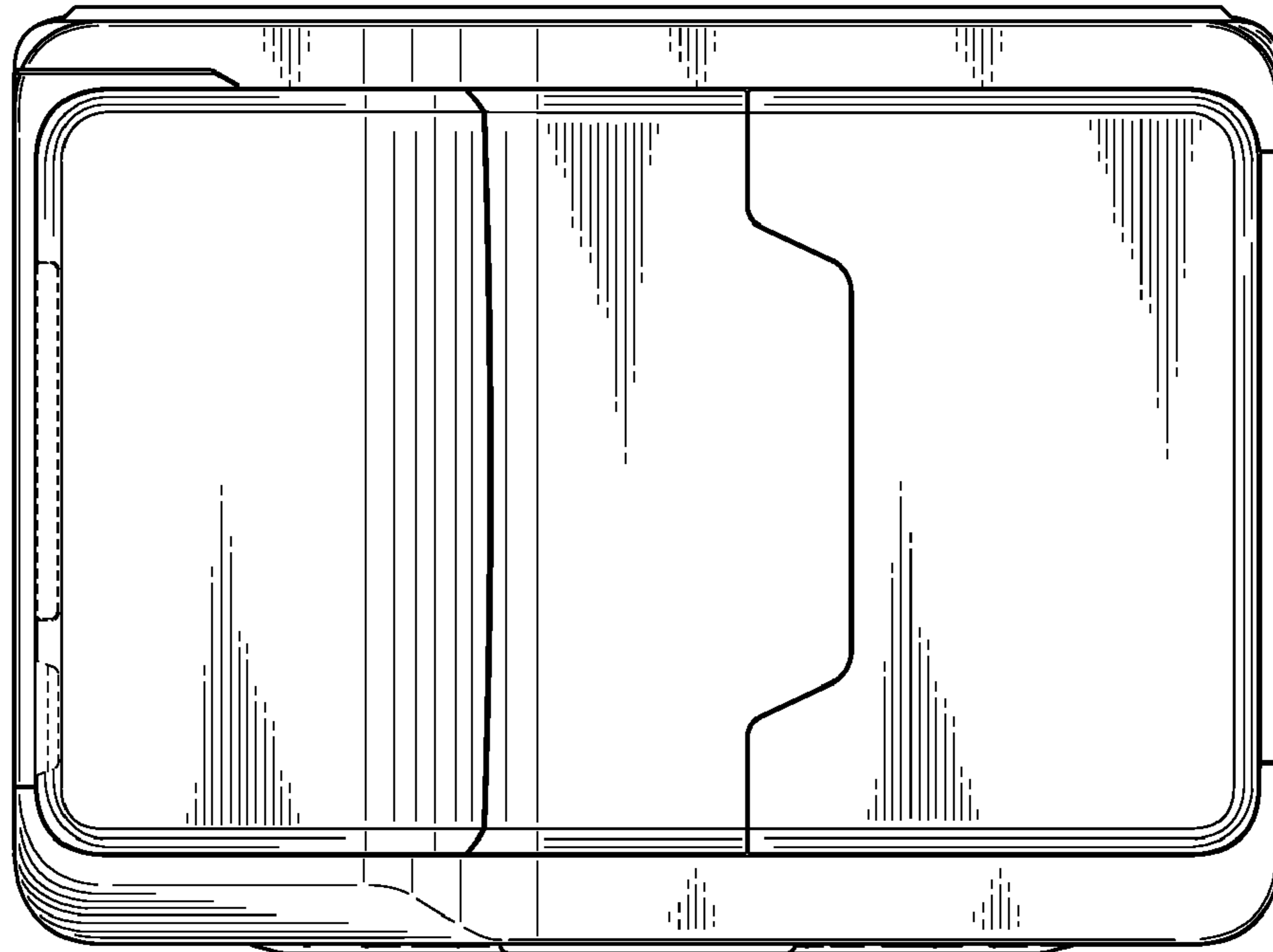


FIG. 6

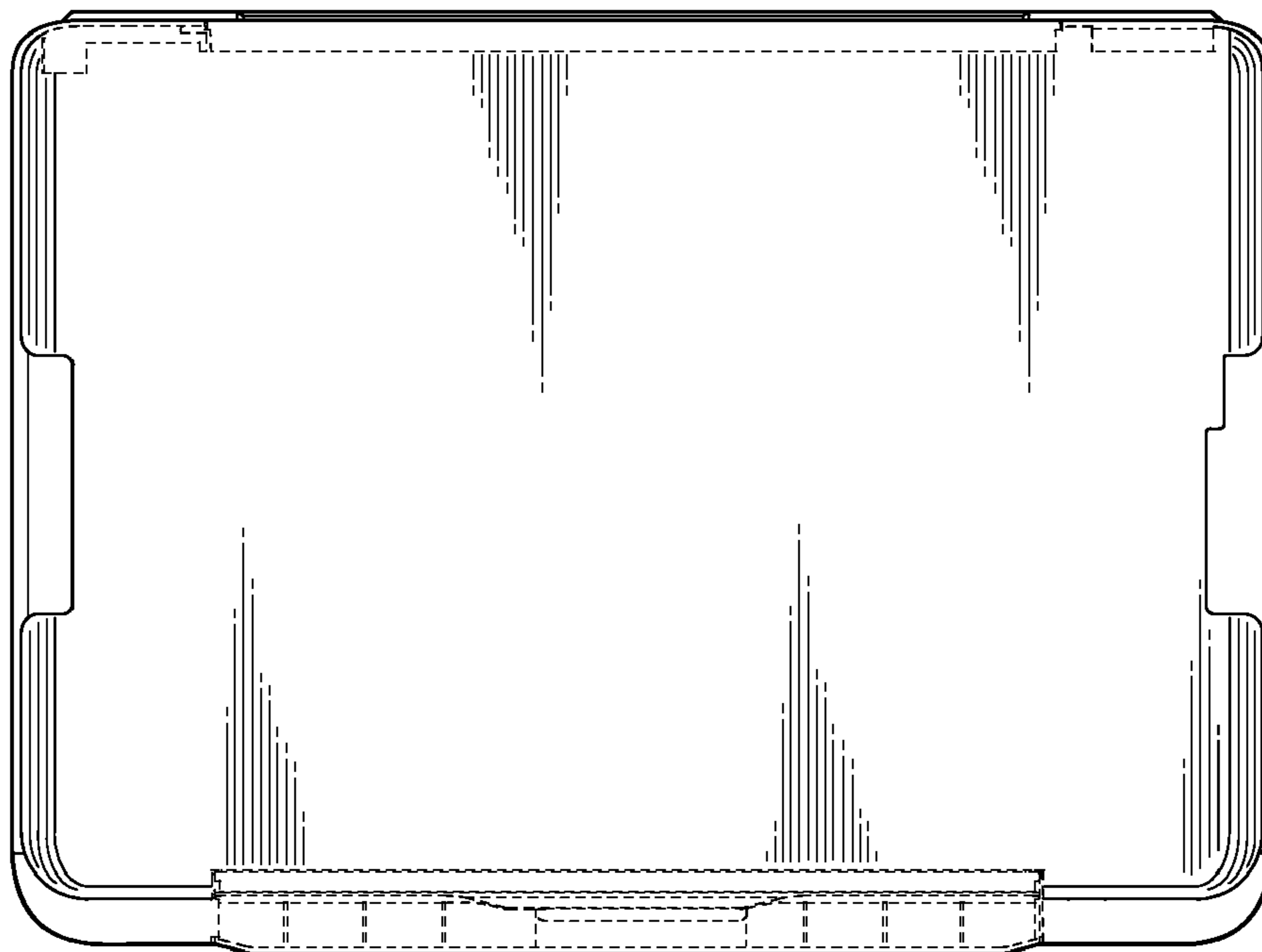


FIG. 7

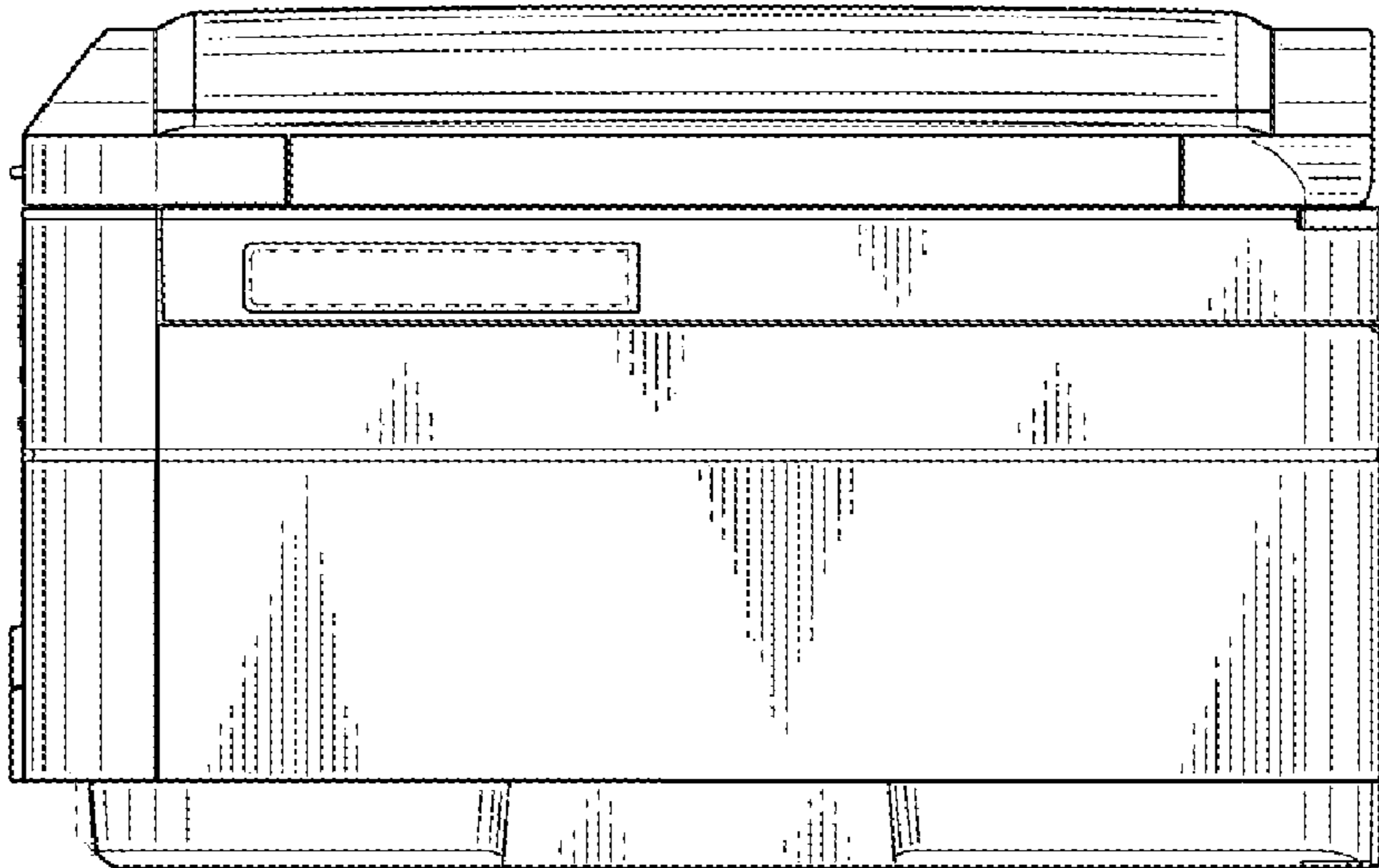


FIG. 8

