



US00D665006S

(12) **United States Design Patent**
Green et al.

(10) **Patent No.:** **US D665,006 S**
(45) **Date of Patent:** **** Aug. 7, 2012**

(54) **PLUG MOUNT FOR CAMERA**

(75) Inventors: **Jason Green**, Seattle, WA (US); **Marc Barros**, Bellevue, WA (US); **David Thorpe**, Portland, OR (US); **Chunshik Kim**, Portland, OR (US); **Felix Ballerstedt**, Portland, OR (US); **David Randall Knaub**, Portland, OR (US); **Oved Valadez**, Portland, OR (US); **Peter Kettering**, Reinheim (DE)

(73) Assignee: **Contour, Inc.**, Seattle, WA (US)

(**) Term: **14 Years**

(21) Appl. No.: **29/369,518**

(22) Filed: **Sep. 9, 2010**

Related U.S. Application Data

(63) Continuation of application No. 29/367,294, filed on Aug. 5, 2010, now Pat. No. Des. 640,722, and a continuation of application No. 12/671,442, filed on May 14, 2010, and a continuation of application No. 29/356,376, filed on Feb. 24, 2010, now Pat. No. Des. 640,304, which is a continuation of application No. 29/355,173, filed on Feb. 3, 2010, now Pat. No. Des. 621,435, and a continuation of application No. 29/322,219, filed on Jul. 30, 2008, now Pat. No. Des. 616,006, and a continuation of application No. PCT/US2008/071661, filed on Jul. 30, 2008, said application No. 29/367,294 is a continuation of application No. 29/355,173, and a continuation of application No. 29/322,219, said application No. 12/671,442 is a continuation of application No. 29/322,219.

(51) **LOC (9) Cl.** **16-05**

(52) **U.S. Cl.** **D16/242**

(58) **Field of Classification Search** D16/237,
D16/242; 396/419, 421, 428; 248/176.1,
248/177.1, 178.1; 348/373; 352/243

See application file for complete search history.

(56) **References Cited**

U.S. PATENT DOCUMENTS

4,516,157 A 5/1985 Campbell

4,525,045 A 6/1985 Fazekas

(Continued)

FOREIGN PATENT DOCUMENTS

CA 2 463 117 A1 8/2004

(Continued)

OTHER PUBLICATIONS

Supplemental Search Report from the European Patent Office concerning related European Patent Application No. 08782542.8.

(Continued)

Primary Examiner — Adir Aronovich

(74) *Attorney, Agent, or Firm* — Stoel Rives LLP

(57) **CLAIM**

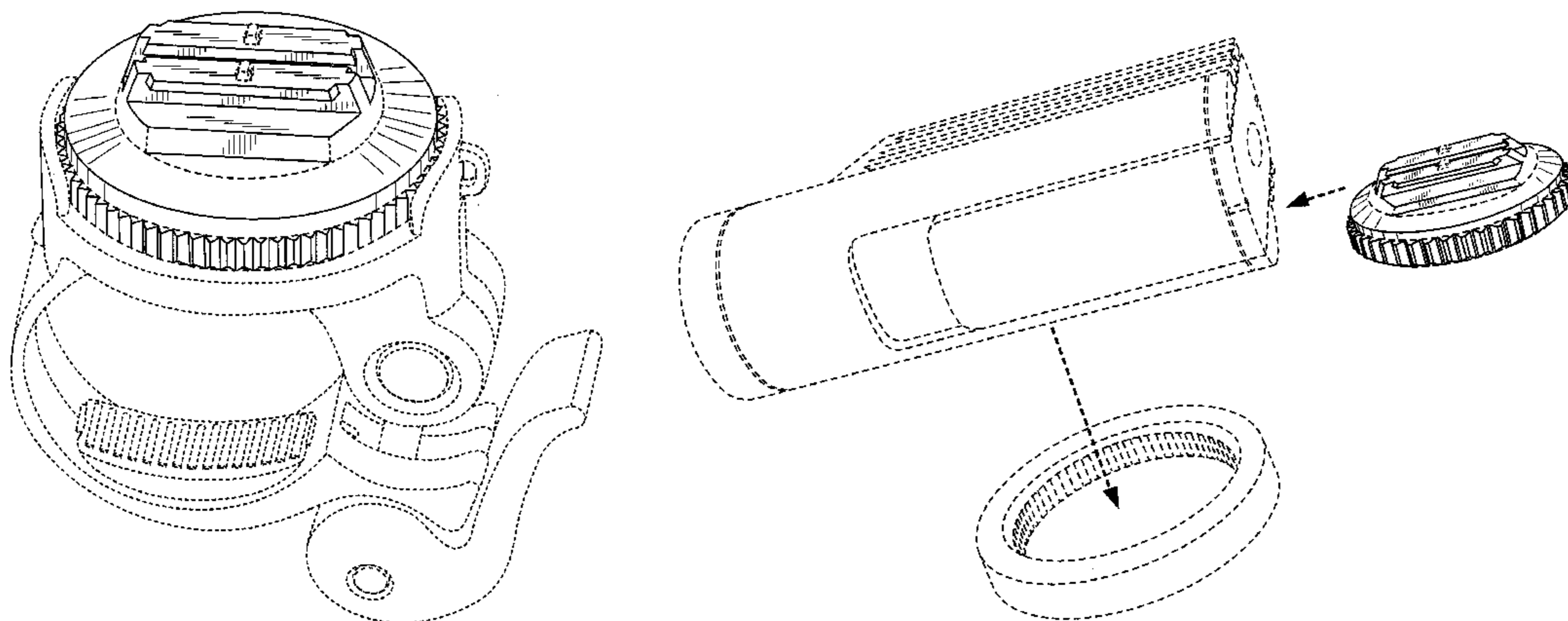
The ornamental design for a plug mount for camera, as shown and described.

DESCRIPTION

FIG. 1 is a top, front and right perspective view of a plug mount for camera showing our new design; FIG. 2 is a top, front and right perspective view thereof in an alternative position; FIG. 3 is a top plan view thereof; FIG. 4 is a left side elevation view thereof; FIG. 5 is a front elevation view thereof; FIG. 6 is a top front perspective view thereof; FIG. 7 is a bottom plan view thereof; FIG. 8 is a reduced top front isometric view thereof, the broken line portions are shown to illustrate environment only and form no part of the claimed design; and, FIG. 9 is a reduced bottom plan view thereof, the broken line portions are shown to illustrate environment only and form no part of the claimed design.

The portions of the plug mount in broken lines shown in FIGS. 1-7 are for illustrative purposes only and form no part of the claimed design.

1 Claim, 5 Drawing Sheets



US D665,006 S

Page 2

U.S. PATENT DOCUMENTS

5,218,439	A	6/1993	Mizoguchi et al.	
5,557,329	A	9/1996	Lim	
5,583,571	A	12/1996	Friedland	
D378,095	S	2/1997	Hasegawa	
D392,300	S	3/1998	Chow et al.	
5,859,666	A	1/1999	Manabe	
5,966,176	A	10/1999	Chow et al.	
6,028,627	A	2/2000	Helmsderfer	
6,091,831	A	7/2000	Cho	
D430,888	S	9/2000	Adachi et al.	
6,142,437	A	11/2000	Wilkins, Jr.	
6,377,302	B1	4/2002	Ozaki et al.	
6,421,088	B1	7/2002	Lee	
6,704,044	B1	3/2004	Foster et al.	
6,819,354	B1	11/2004	Foster et al.	
D506,489	S	6/2005	Owada	
D510,374	S	10/2005	Greenwood et al.	
6,955,484	B2	10/2005	Woodman	
D547,346	S	7/2007	Ollila	
7,273,321	B2	9/2007	Woodman	
D558,805	S	1/2008	Sadatsuki	
7,353,086	B2	4/2008	Ennis	
D576,658	S *	9/2008	Speggiorin D16/242
D581,959	S	12/2008	Chan	
7,458,736	B2	12/2008	Woodman	
D591,325	S	4/2009	Dordick	
7,522,834	B2	4/2009	Heaven et al.	
D592,231	S	5/2009	Schnell	
D592,235	S	5/2009	Bryant et al.	
D596,658	S	7/2009	Dordick	
D603,442	S	11/2009	Dordick	
7,658,556	B2 *	2/2010	Johnson 396/428
7,661,891	B2 *	2/2010	Heibel 248/187.1
7,753,599	B2 *	7/2010	Segawa et al. 248/177.1
D630,238	S *	1/2011	Fukuma et al. D16/242
D640,304	S	6/2011	Green et al.	
8,014,656	B2	9/2011	Woodman	
8,079,501	B2	12/2011	Woodman	
D653,692	S	2/2012	Dordick	
8,120,651	B2	2/2012	Ennis	
2002/0067920	A1	6/2002	Weng et al.	
2003/0063200	A1	4/2003	Isoyama	

2003/0128975	A1 *	7/2003	Shevick 396/428
2004/0004825	A1	1/2004	Malard et al.	
2005/0200750	A1	9/2005	Ollila	
2005/0206736	A1	9/2005	Ng et al.	
2006/0055786	A1	3/2006	Ollila	
2006/0274171	A1	12/2006	Wang	
2007/0111754	A1	5/2007	Marshall et al.	
2009/0109292	A1	4/2009	Ennis	
2011/0280540	A1	11/2011	Woodman	

FOREIGN PATENT DOCUMENTS

CN	1157078	8/1997
CN	1223768	7/1999
DE	198 31 819 C1	7/1998
DE	20 2004 001 608 U1	6/2004
EP	0 917 359 A1	5/1999
EP	0980181	2/2000
EP	1 944 965 A1	7/2008
JP	61-118076	6/1986
JP	08-223524	8/1996
WO	WO 94/26061	11/1994
WO	WO 96/38004	11/1996
WO	WO 2007/077759 A1	7/2007

OTHER PUBLICATIONS

English language machine translation of JP 08-223524.
 International Application No. PCT/US2008/71661, filed Jul. 30, 2008.
 Nov. 2, 2009 world wide web ("http://www.helmkameras24.de/Oregon-Scientific-ATC-9000_c25...") 2-page printout concerning new item Oregon Scientific ATC 9000.
 Nov. 2, 2009 world wide web ("<http://www.actioncameras.co.uk/X170>") 4-page printout concerning X170 Action Camera and its mounts.
 Austrian Patent Office, Search and Opinion on Legal Validity, Aug. 3, 2010 (German language version and English translation).
 May 13, 2011 Written Opinion concerning related Singapore Patent Application No. 20100010-4.
 Office action dated Nov. 24, 2011 issued by the Chinese Patent Office for corresponding Chinese Patent Application No. 200880109237.6.

* cited by examiner

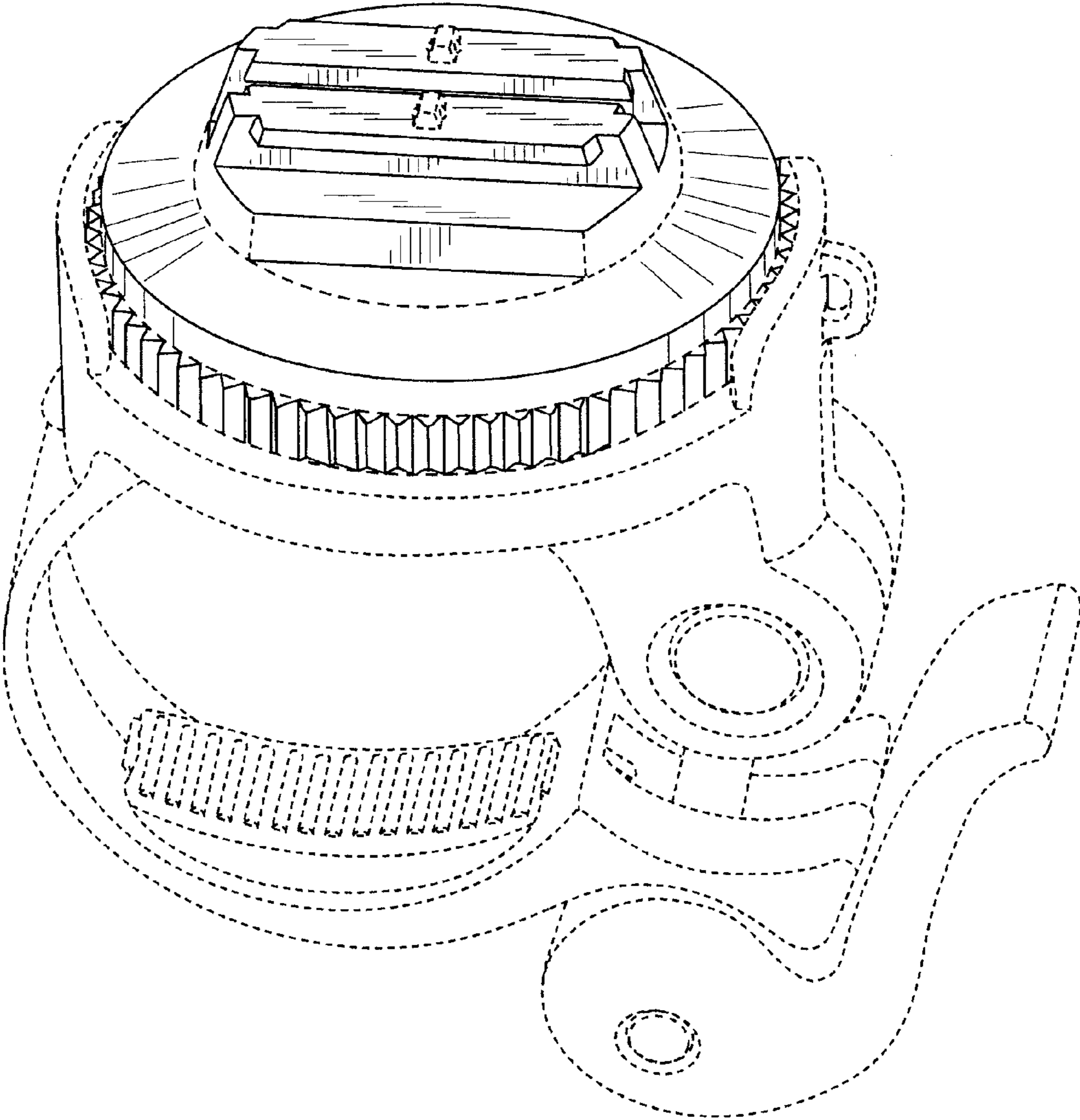


FIG. 1

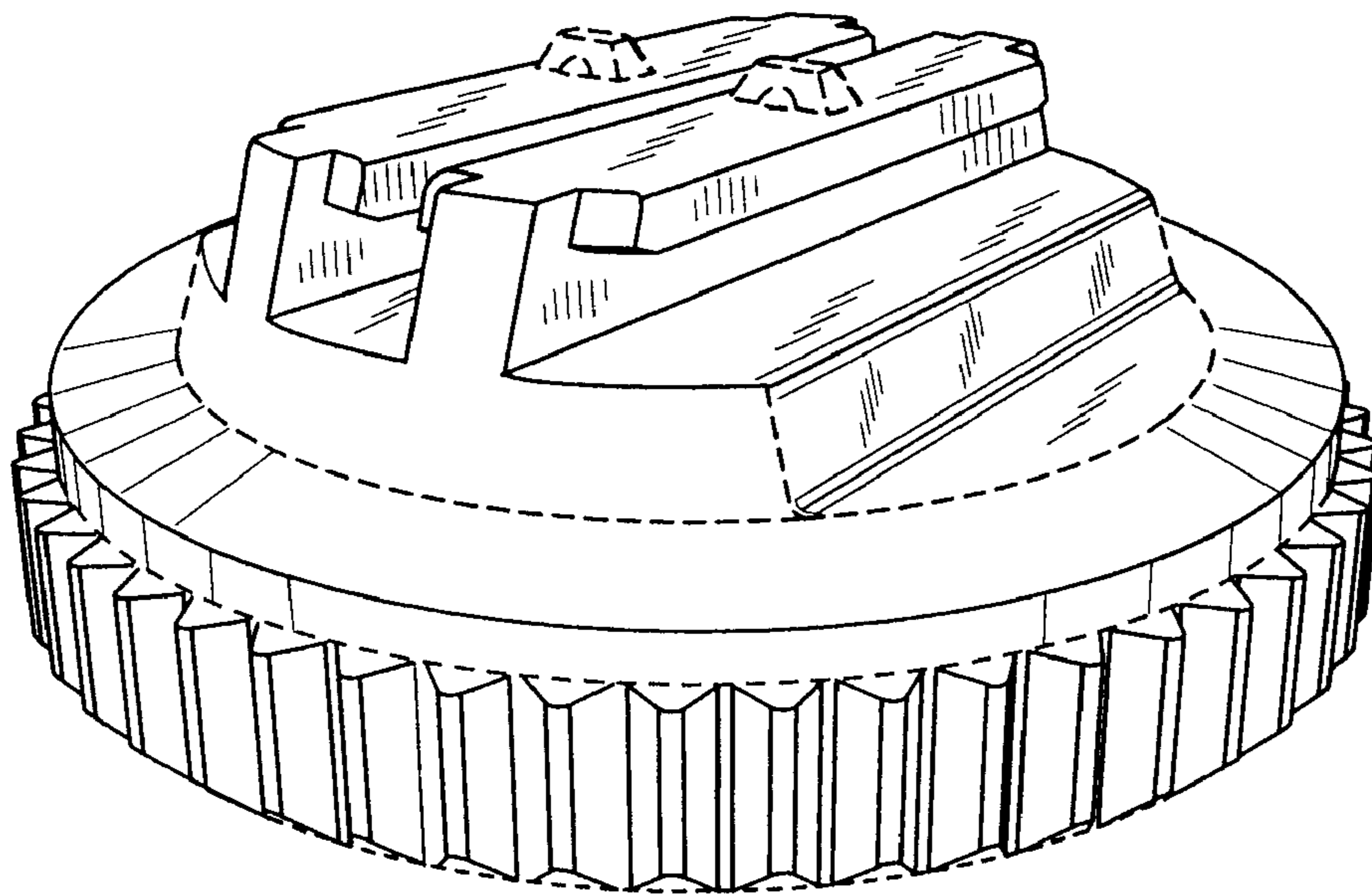


FIG. 2

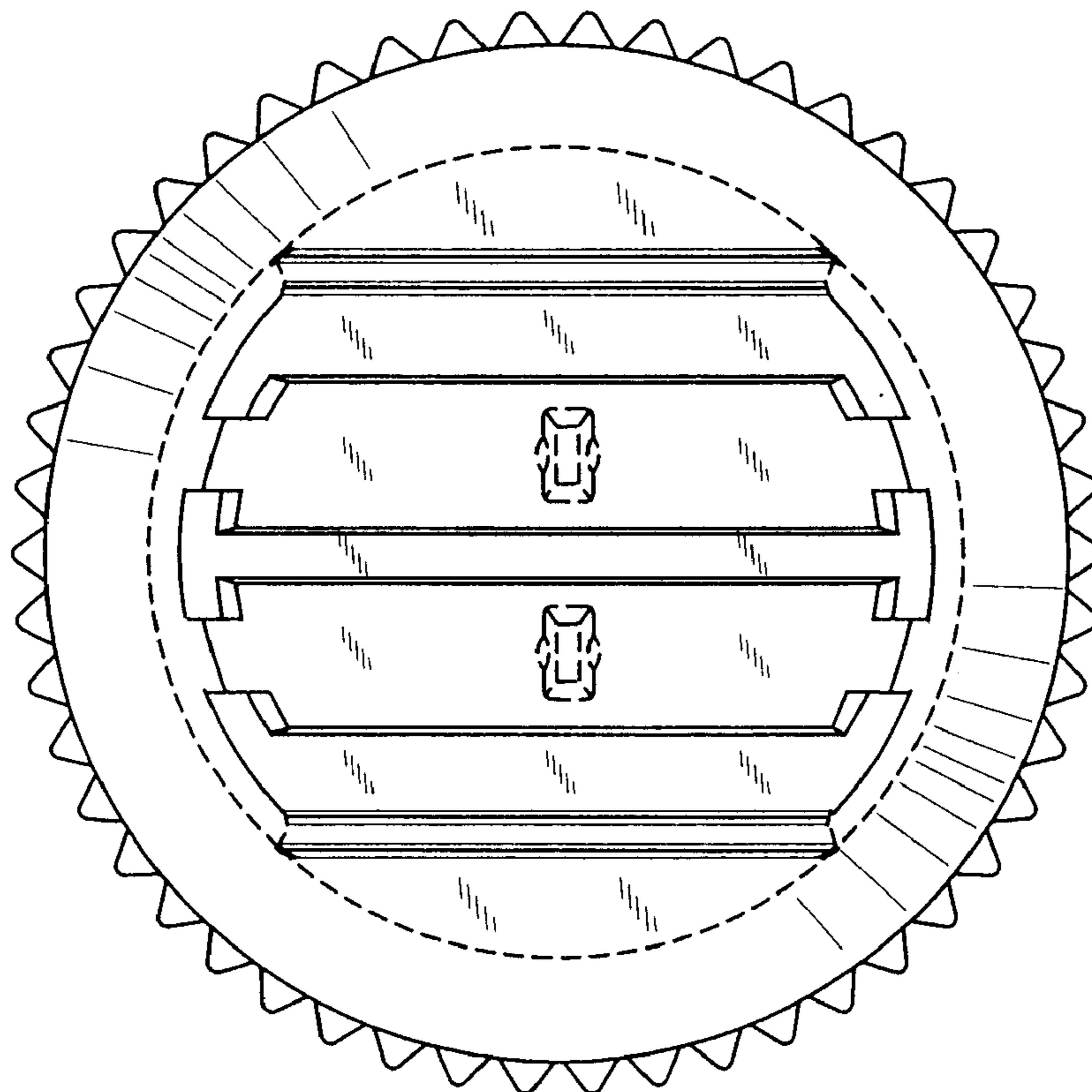


FIG. 3

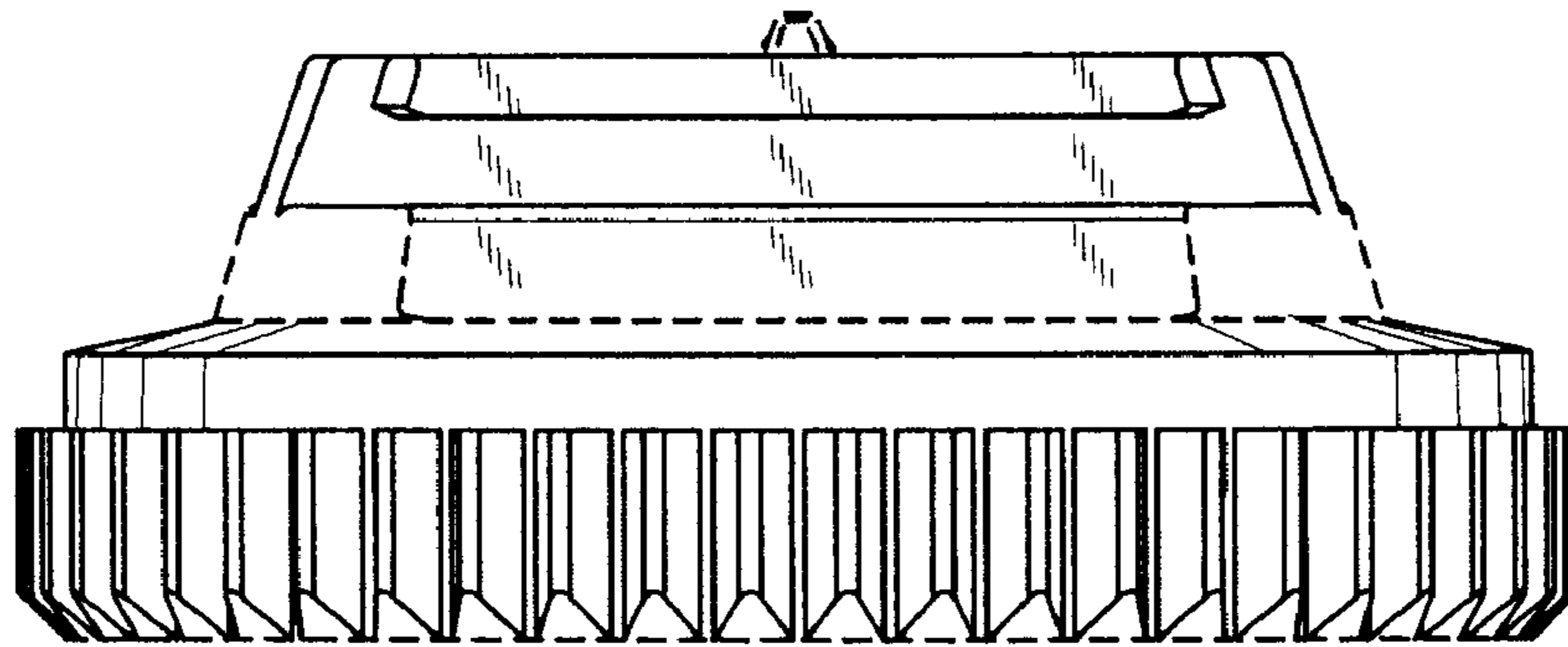


FIG. 4

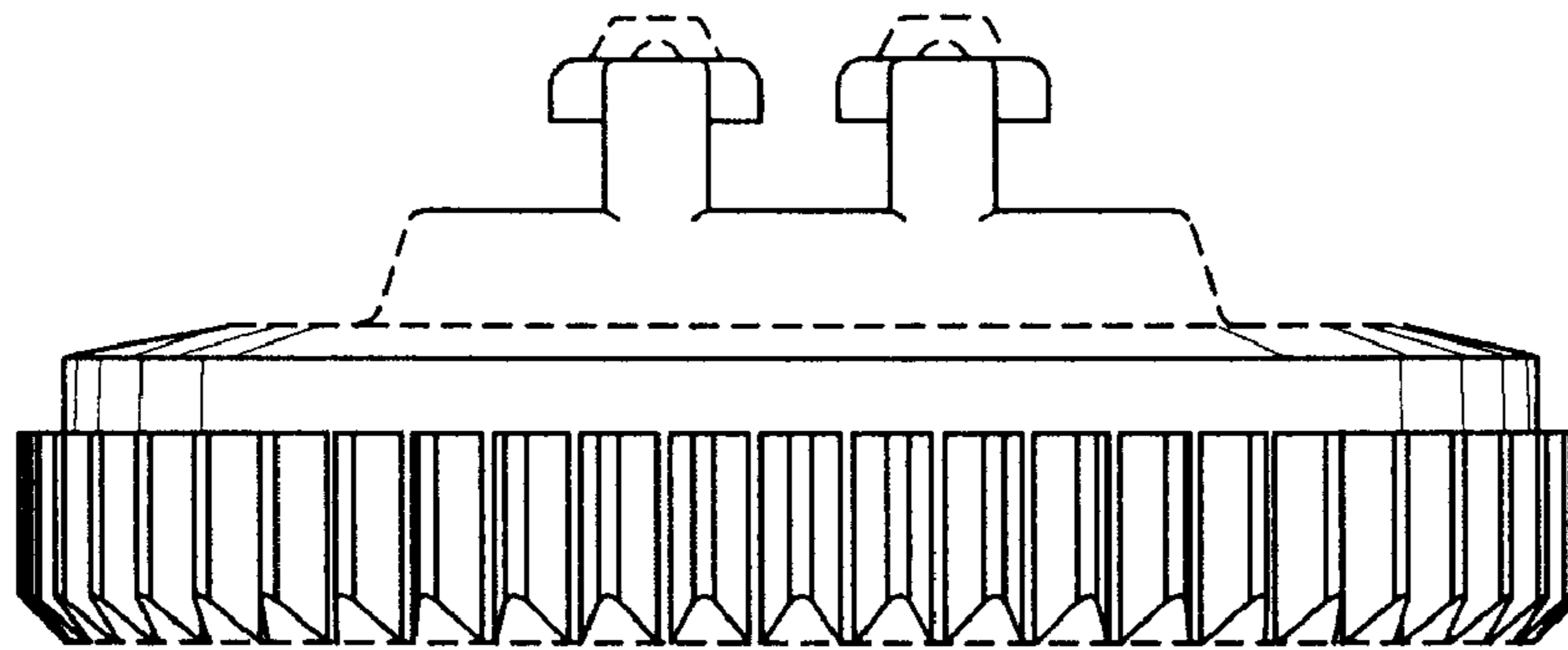


FIG. 5

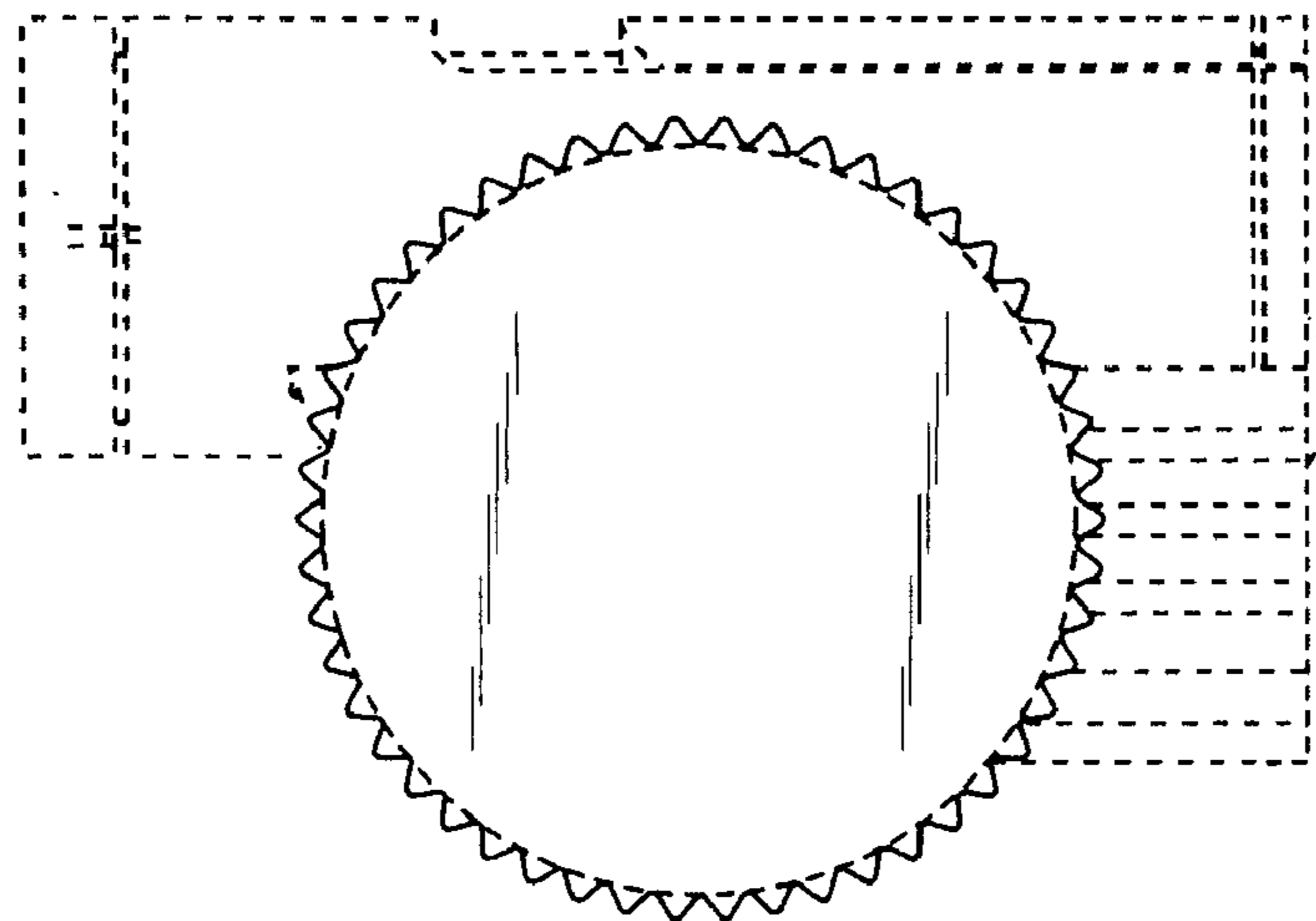


FIG. 9

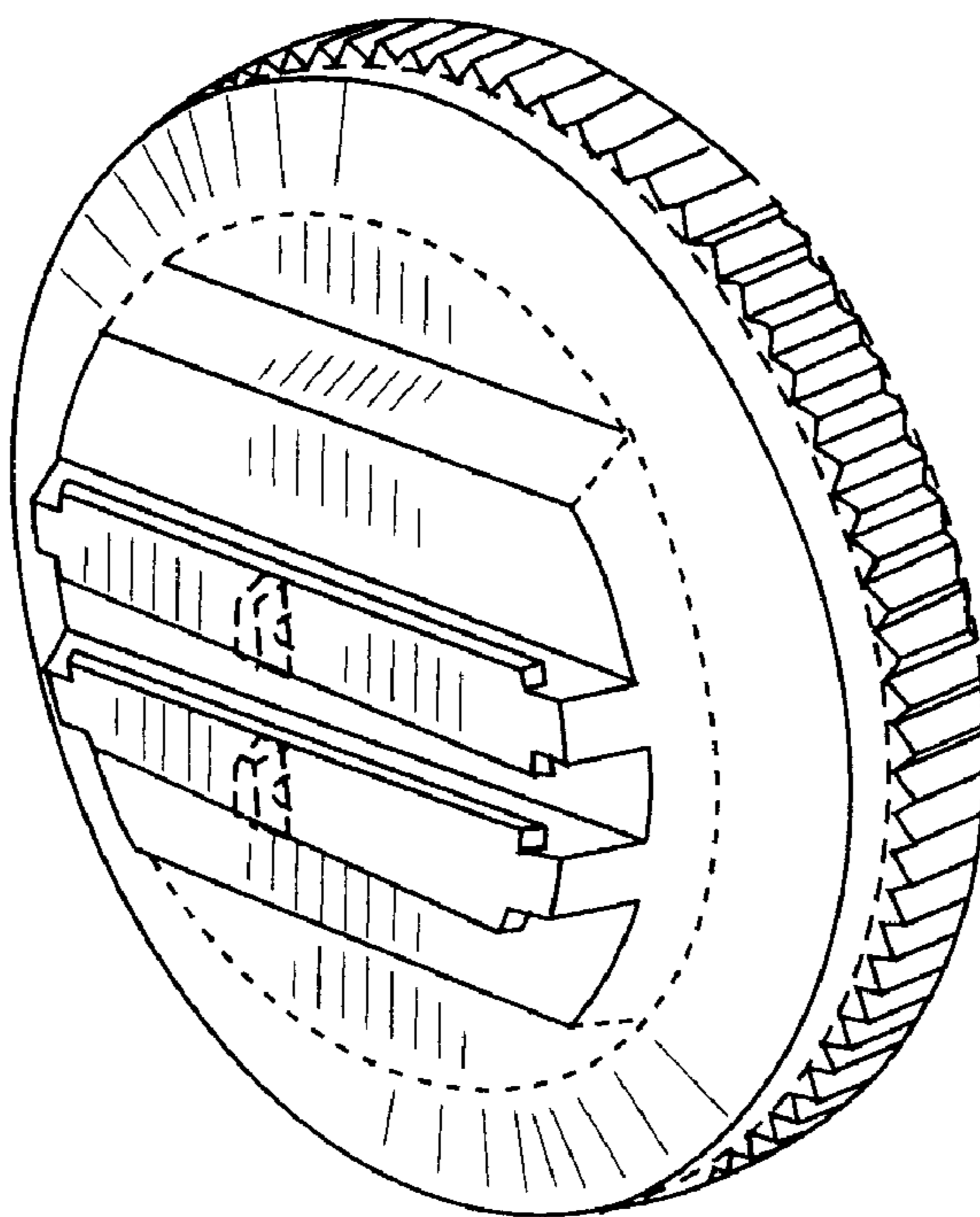


FIG. 6

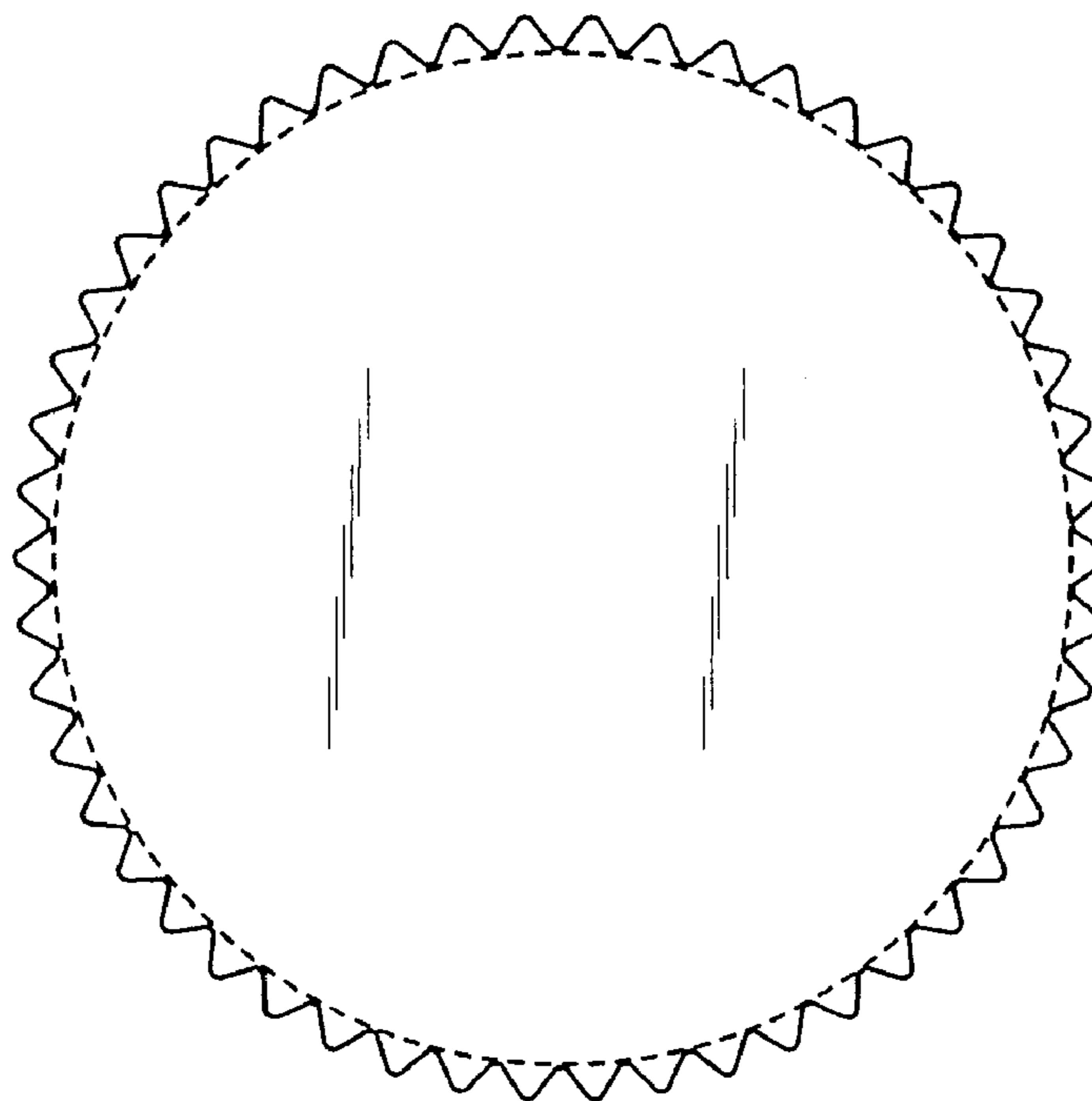


FIG. 7

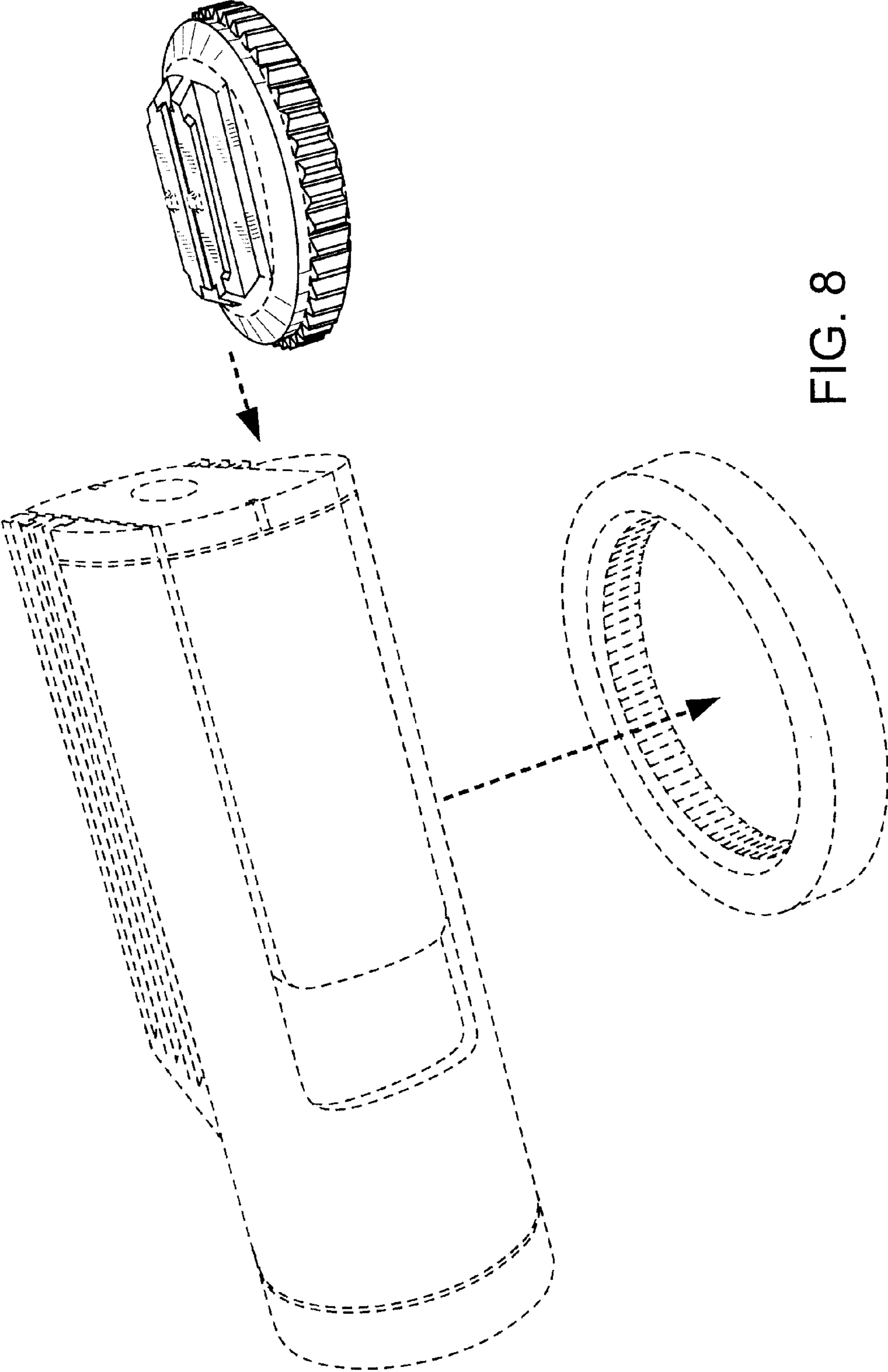


FIG. 8