



US00D665005S

(12) **United States Design Patent**
Asano et al.

(10) **Patent No.:** **US D665,005 S**
(45) **Date of Patent:** **** Aug. 7, 2012**

(54) **CAMERA LENS**

(75) Inventors: **Hideaki Asano**, Chiba (JP); **Arata Ono**,
Odawara (JP); **Masaaki Yanagisawa**,
Chigasaki (JP)

(73) Assignee: **Nikon Corporation** (JP)

(**) Term: **14 Years**

(21) Appl. No.: **29/398,577**

(22) Filed: **Aug. 2, 2011**

(30) **Foreign Application Priority Data**

Feb. 7, 2011 (JP) 2011-002538

(51) **LOC (9) Cl.** **16-05**

(52) **U.S. Cl.** **D16/219**

(58) **Field of Classification Search** D16/134,
D16/136, 200, 204, 219; 359/819, 827, 828;
396/529-532

See application file for complete search history.

(56) **References Cited**

U.S. PATENT DOCUMENTS

D375,969 S * 11/1996 Watanabe D16/134
D412,922 S * 8/1999 Sekine D16/134
D449,322 S * 10/2001 Ono et al. D16/219

D451,116 S * 11/2001 Kono et al. D16/202
D512,088 S * 11/2005 Yatabe D16/219
D605,681 S * 12/2009 Obata D16/219
8,002,483 B2 * 8/2011 Fujiwara et al. 396/531

* cited by examiner

Primary Examiner — Adir Aronovich

(74) *Attorney, Agent, or Firm* — Caesar, Rivise, Bernstein,
Cohen & Pokotilow, Ltd.

(57) **CLAIM**

The ornamental design for a camera lens, as shown and
described.

DESCRIPTION

FIG. 1 is a front perspective view of a camera lens showing
our new design;

FIG. 2 is a front elevational view thereof;

FIG. 3 is a rear elevational view thereof;

FIG. 4 is a top plan view thereof;

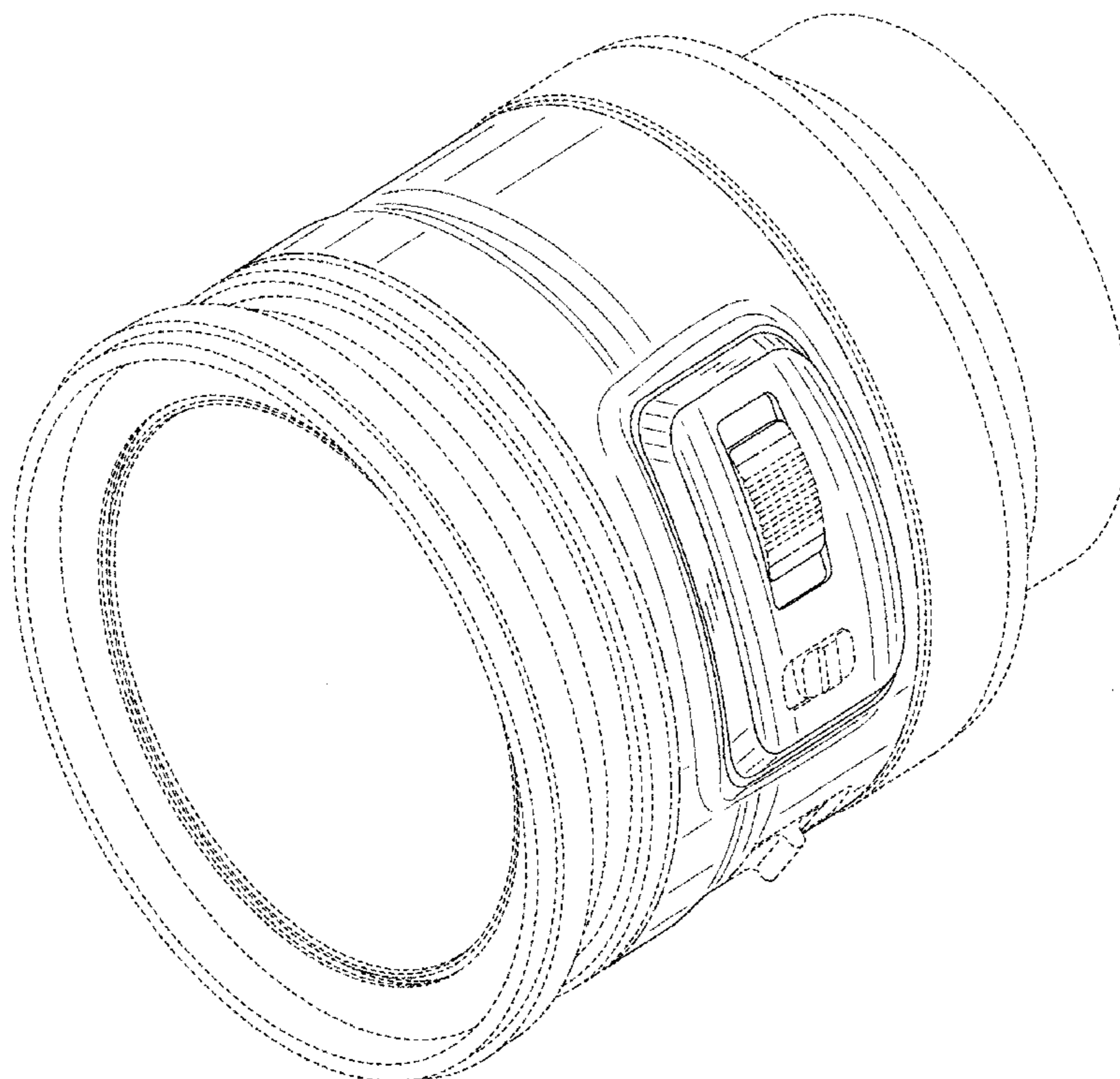
FIG. 5 is a bottom plan view thereof;

FIG. 6 is a right side elevational view thereof; and,

FIG. 7 is a left side elevational view thereof.

The features shown in broken lines in the drawings depict
environmental subject matter only and form no part of the
claimed design. The dot-dash broken lines define the bound-
aries of the claimed design but form no part thereof.

1 Claim, 7 Drawing Sheets



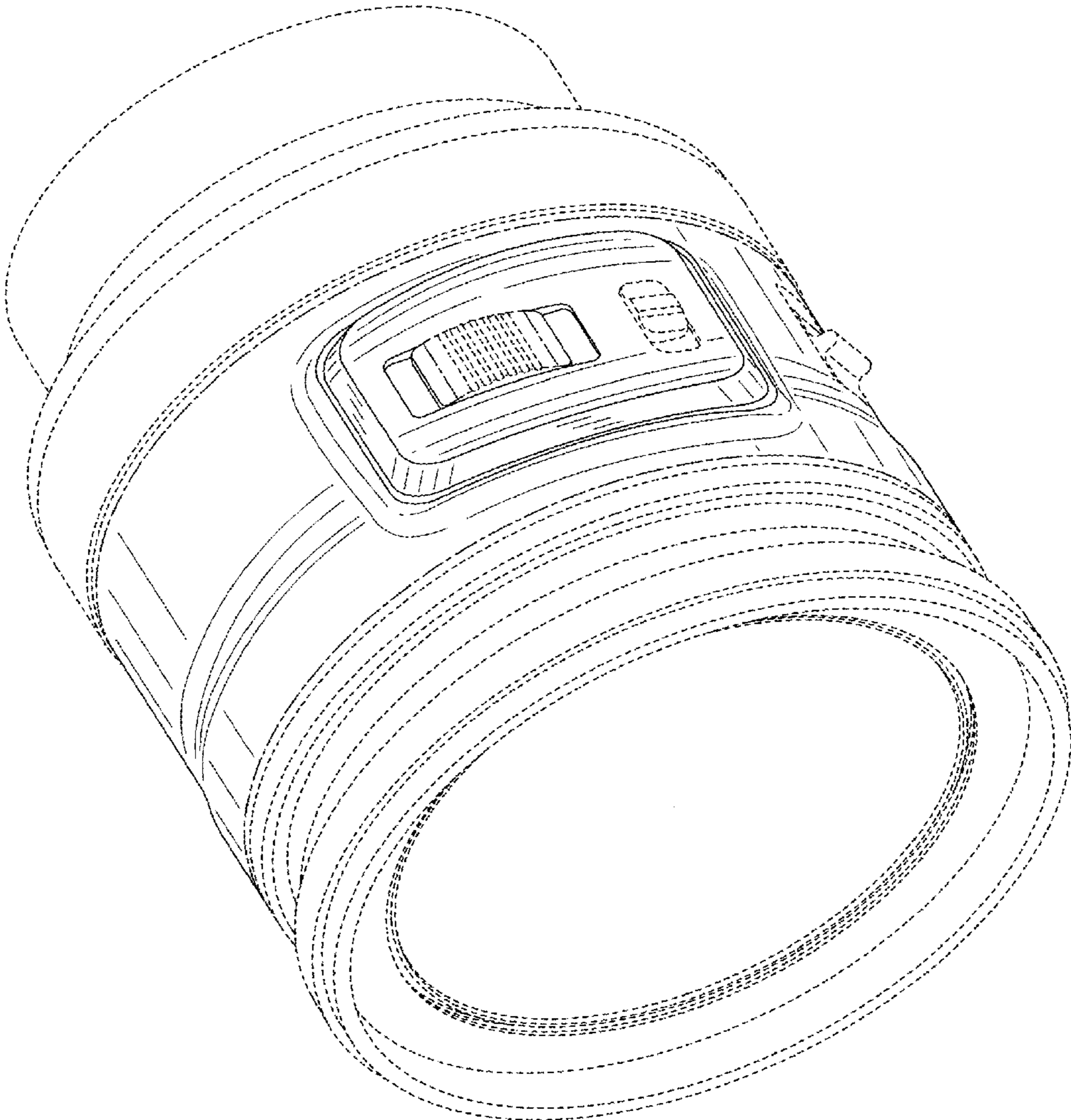


Fig. 1

Fig. 2

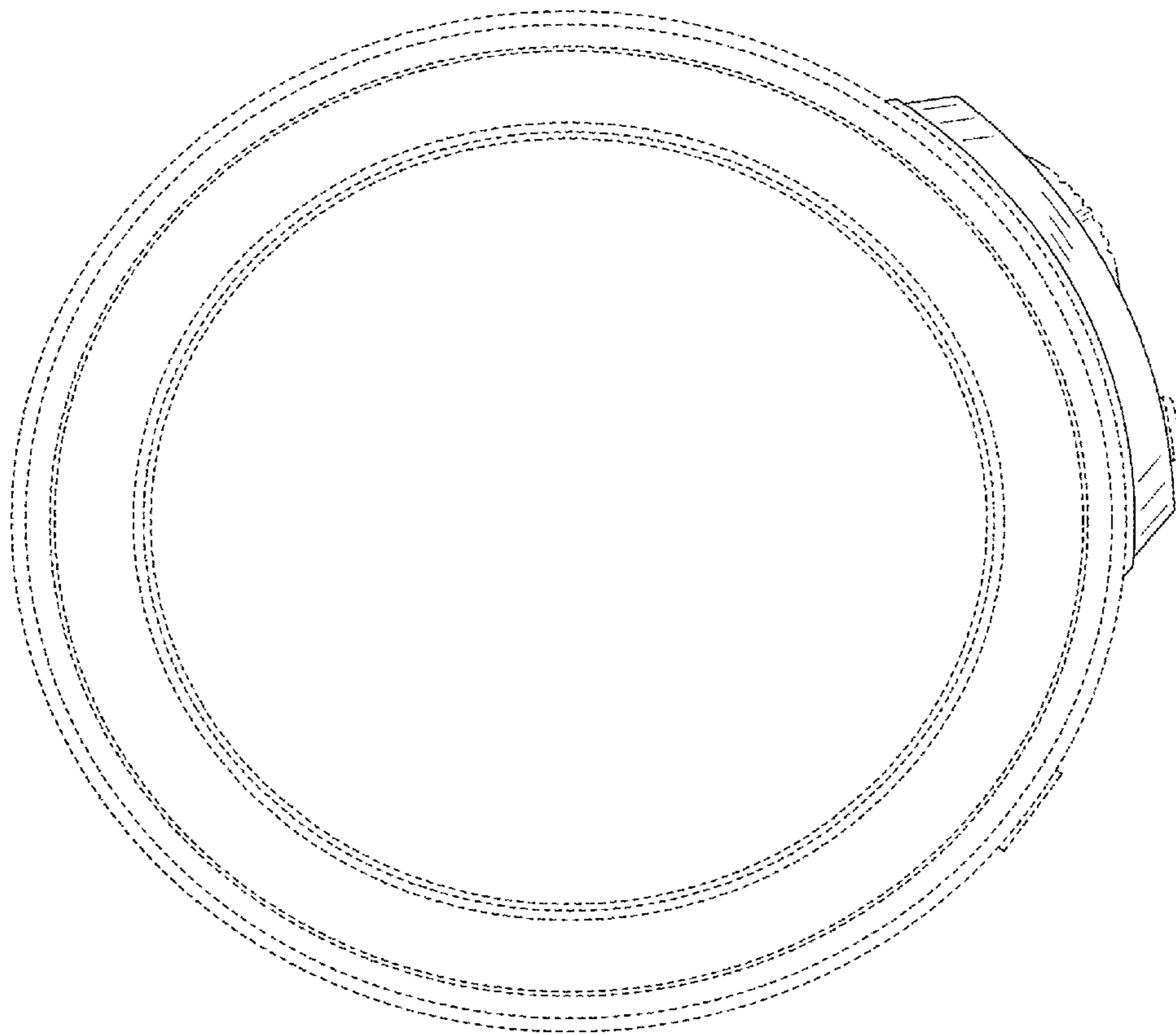


Fig. 3

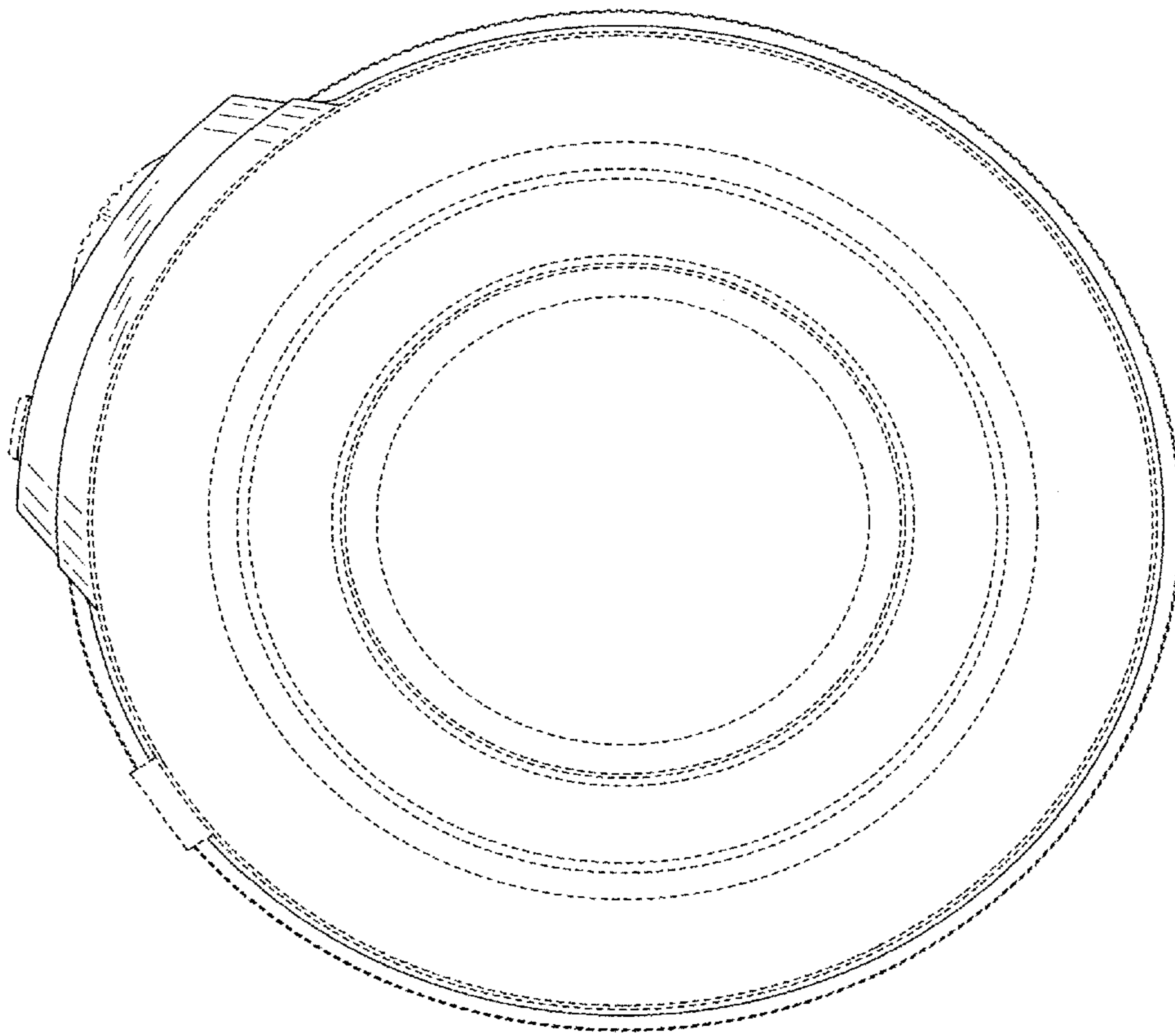


Fig. 4

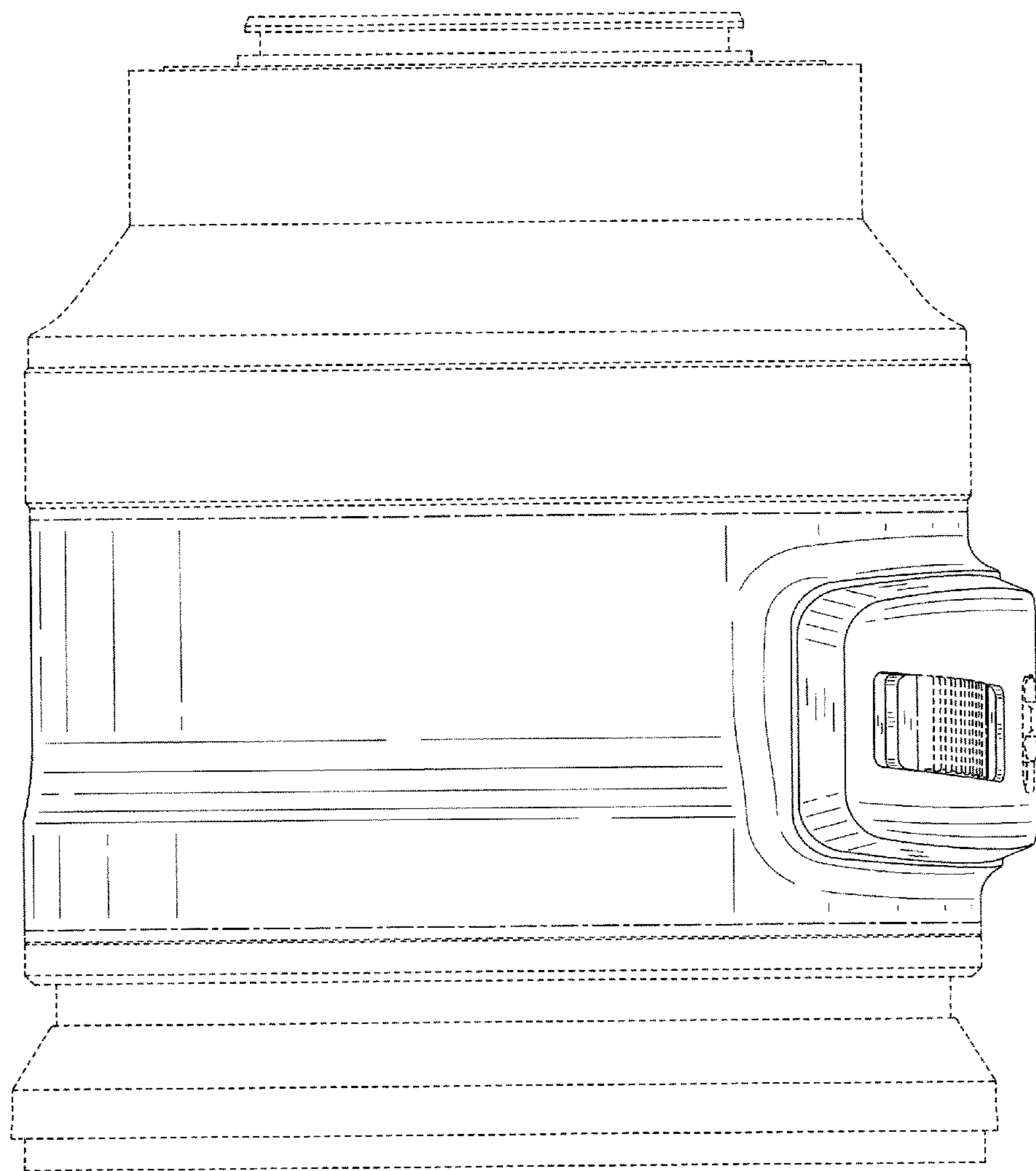
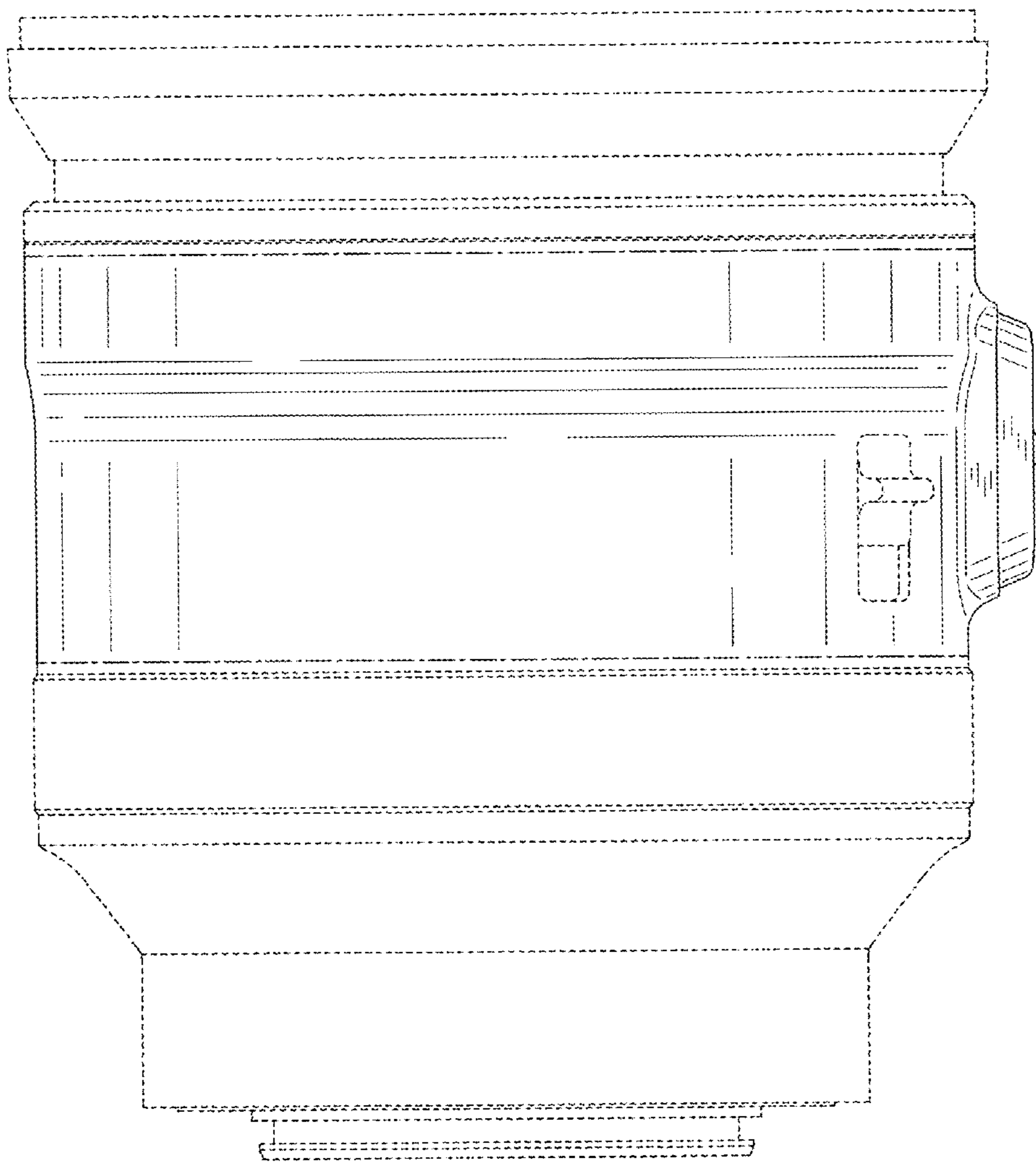


Fig. 5



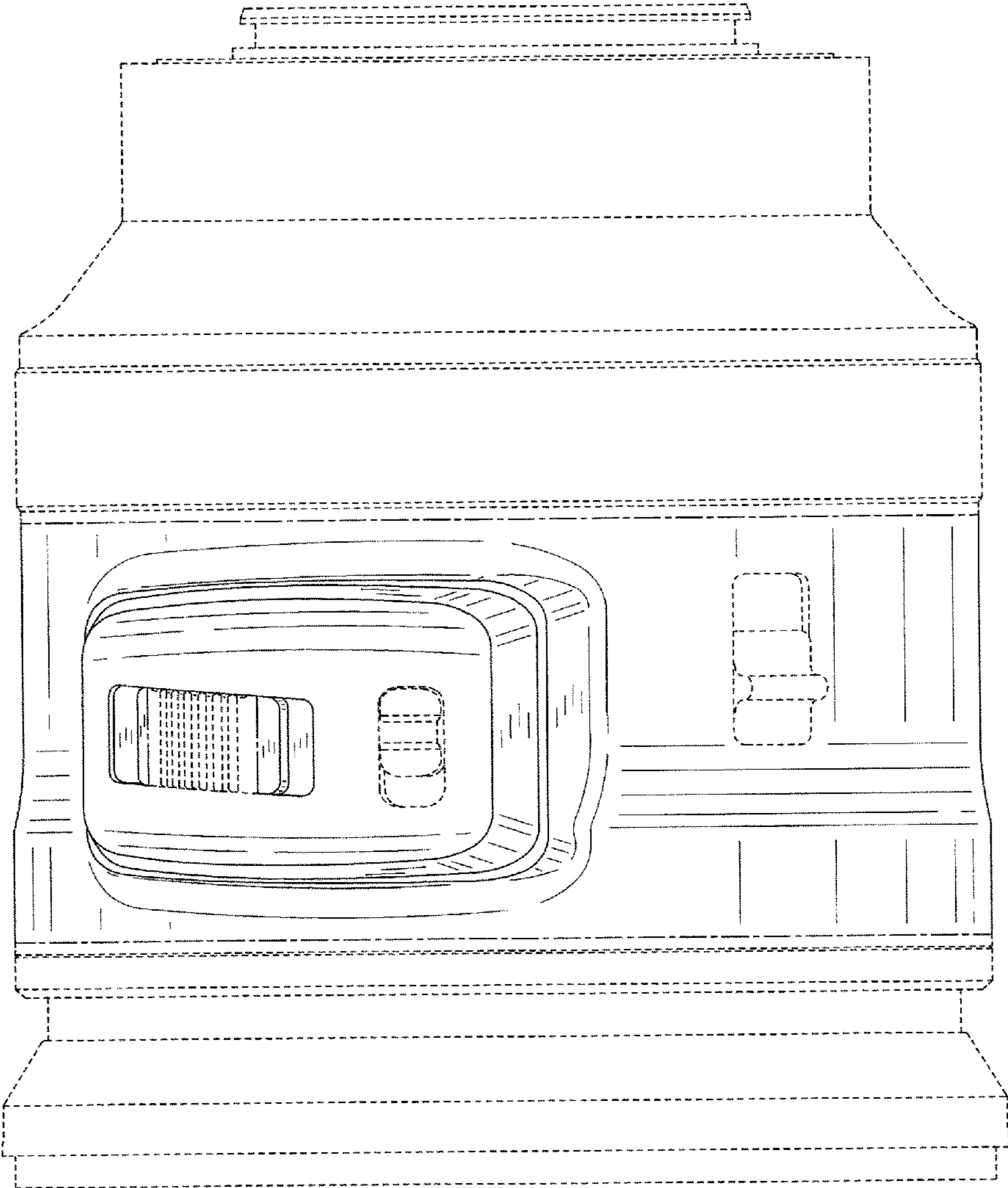


Fig. 6

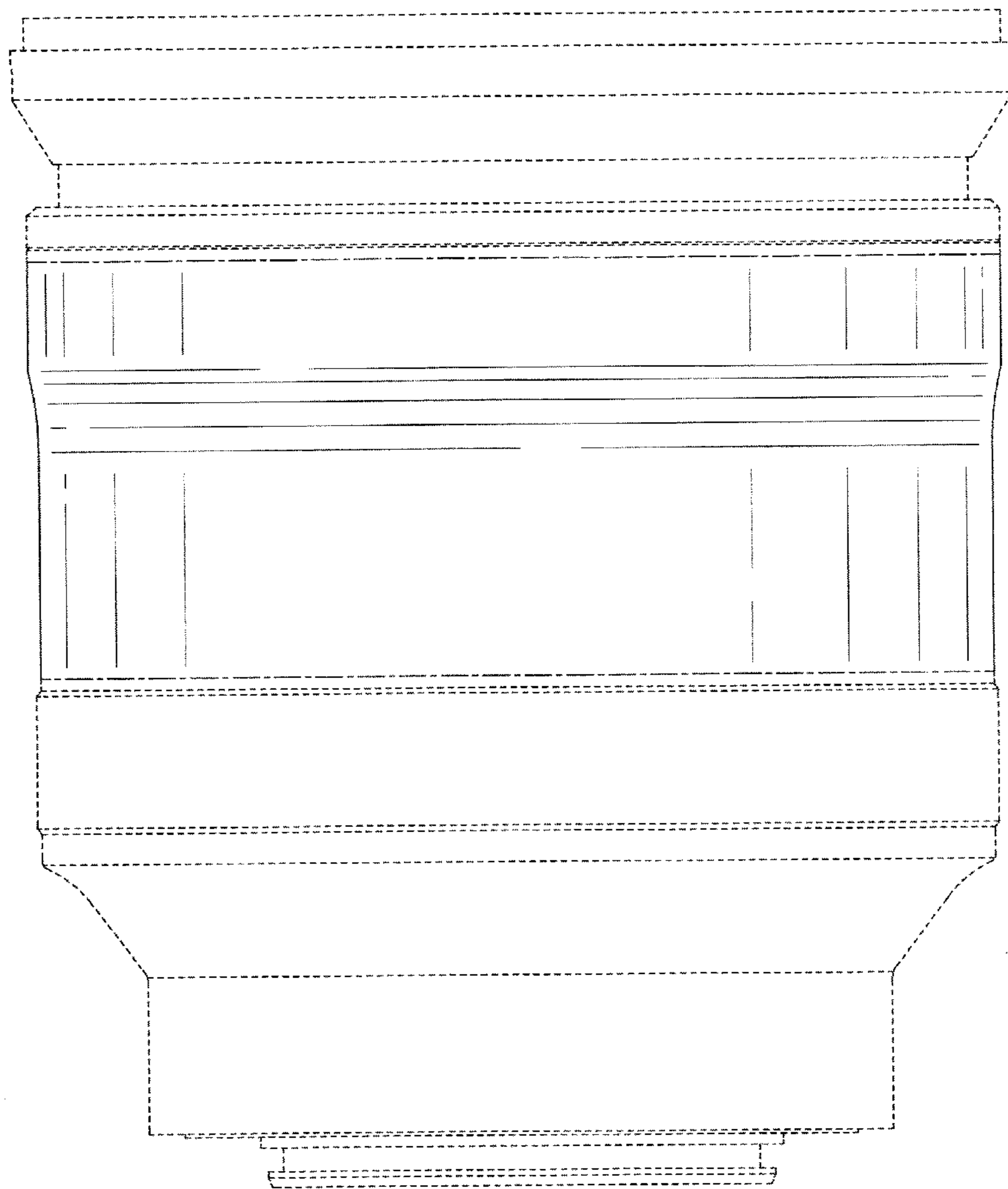


Fig. 7