



US00D665004S

(12) **United States Design Patent**
Löfgren

(10) **Patent No.:** **US D665,004 S**

(45) **Date of Patent:** **** Aug. 7, 2012**

(54) **COMBINED INFRARED CAMERA AND THERMAL IMAGER**

(75) Inventor: **Johan Löfgren**, Bälinge (SE)

(73) Assignee: **FLIR Systems AB**, Danderyd (SE)

(**) Term: **14 Years**

(21) Appl. No.: **29/361,749**

(22) Filed: **May 14, 2010**

(51) **LOC (9) Cl.** **16-01**

(52) **U.S. Cl.** **D16/208; D16/206**

(58) **Field of Classification Search** D16/200,
D16/204, 206, 208; 250/330, 332; 348/373-374;
359/826-828; 396/529-532, 535

See application file for complete search history.

(56) **References Cited**

U.S. PATENT DOCUMENTS

D408,040 S *	4/1999	Miyahara	D16/202
D426,248 S *	6/2000	Sumita	D16/202
D494,202 S *	8/2004	Nakamura	D16/206
D500,068 S *	12/2004	Hayashi	D16/202
D526,341 S *	8/2006	Jin	D16/202
D537,857 S *	3/2007	Nakamura	D16/202
7,648,291 B2 *	1/2010	Laganas et al.	250/330
2003/0001960 A9 *	1/2003	Kato et al.	348/374

* cited by examiner

Primary Examiner — Adir Aronovich

(74) *Attorney, Agent, or Firm* — Hiscock & Barclay, LLP

(57) **CLAIM**

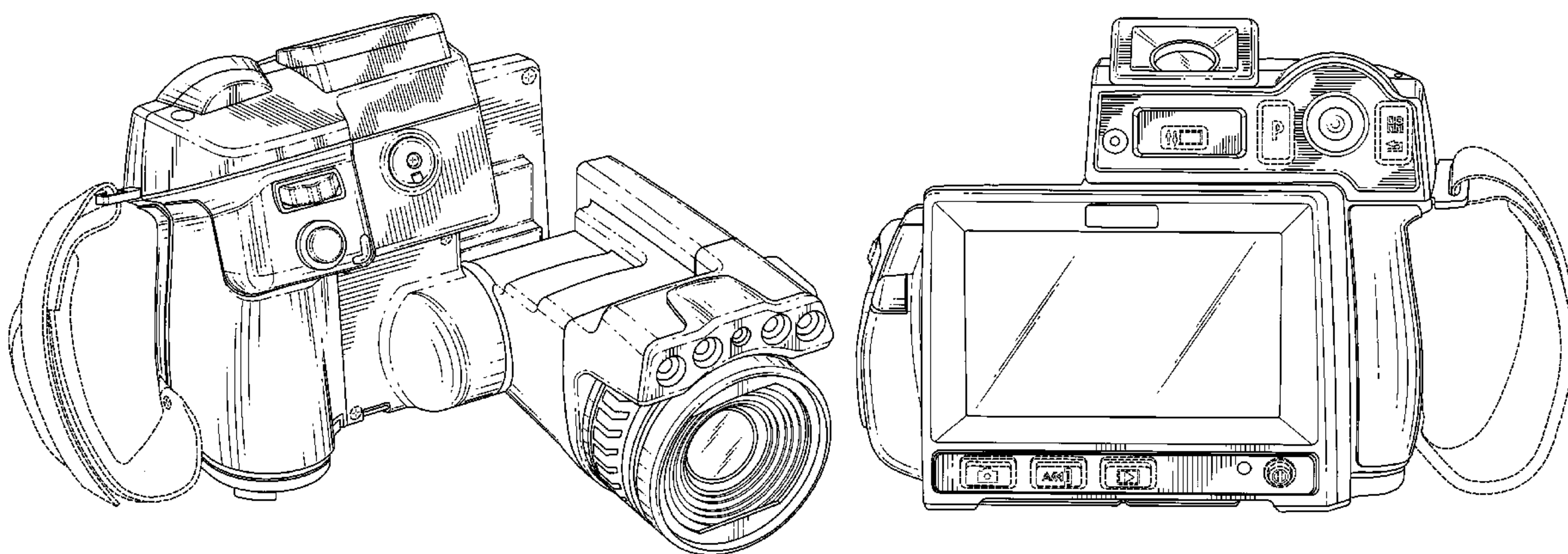
The ornamental design for a combined infrared camera and thermal imager, as shown and described.

DESCRIPTION

FIG. 1 is a front and right side perspective view of a combined infrared camera and thermal imager showing my new design; FIG. 2 is a front and right side perspective view with the objective in a retracted position; FIG. 3 is a front elevational view thereof, with the objective in an extended position; FIG. 4 is a front elevational view thereof, with the objective in a retracted position; FIG. 5 is a top plan view thereof, with the objective in an extended position; FIG. 6 is a top plan view thereof, with the objective in a retracted position; FIG. 7 is a bottom plan view thereof, with the objective in an extended position; FIG. 8 is a bottom plan view thereof, with the objective in a retracted position; FIG. 9 is a left side elevational view thereof, with the objective in an extended position; FIG. 10 is a left side elevational view thereof, with the objective in a retracted position; FIG. 11 is a right side elevational view thereof, with the objective in an extended position; FIG. 12 is a right side elevational view thereof, with the objective in a retracted position; and, FIG. 13 is a rear elevational view thereof.

The portions of the article in broken lines are shown for illustrative purposes only and form no part of the claimed design.

1 Claim, 13 Drawing Sheets



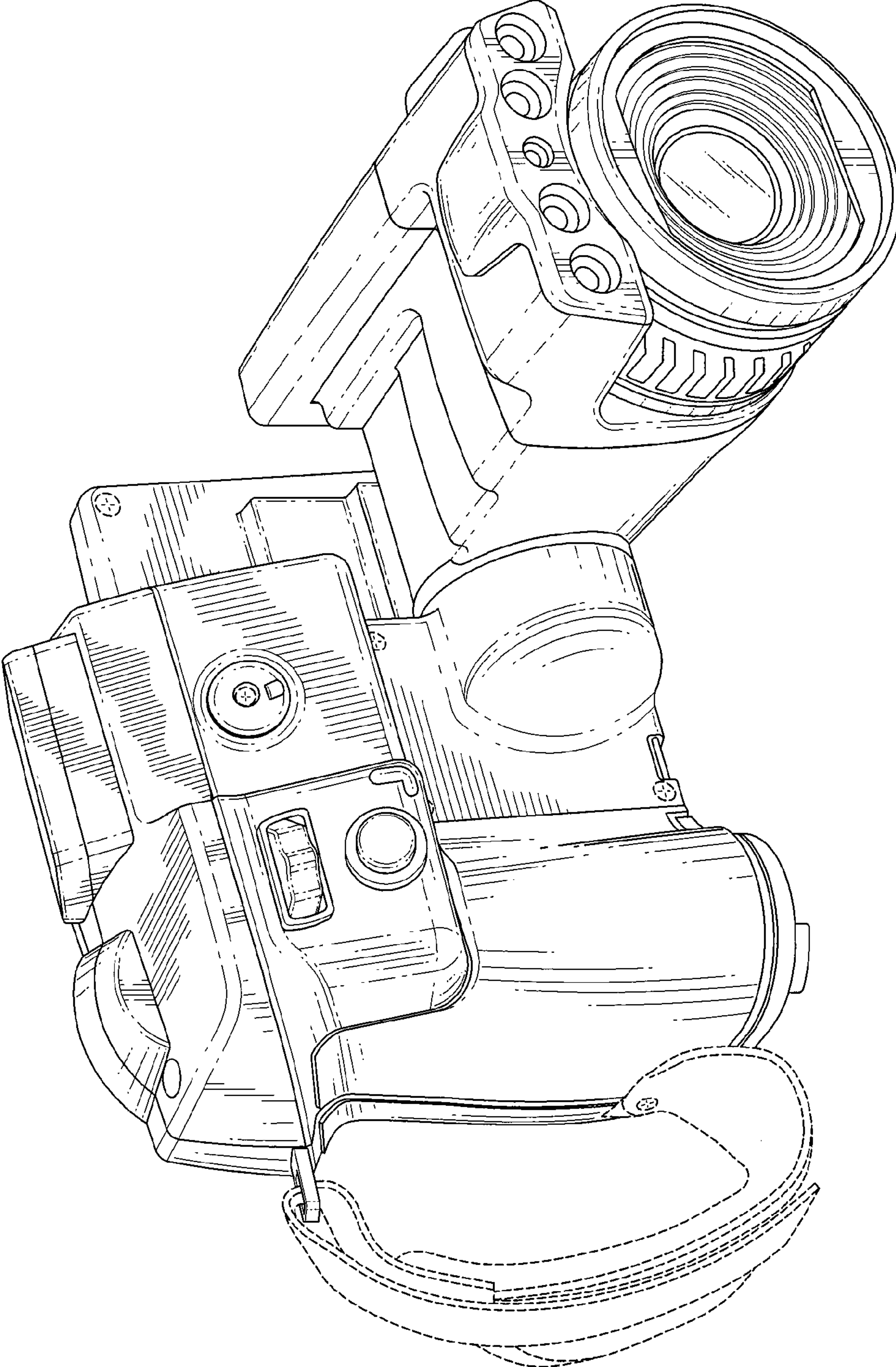


FIG. 1

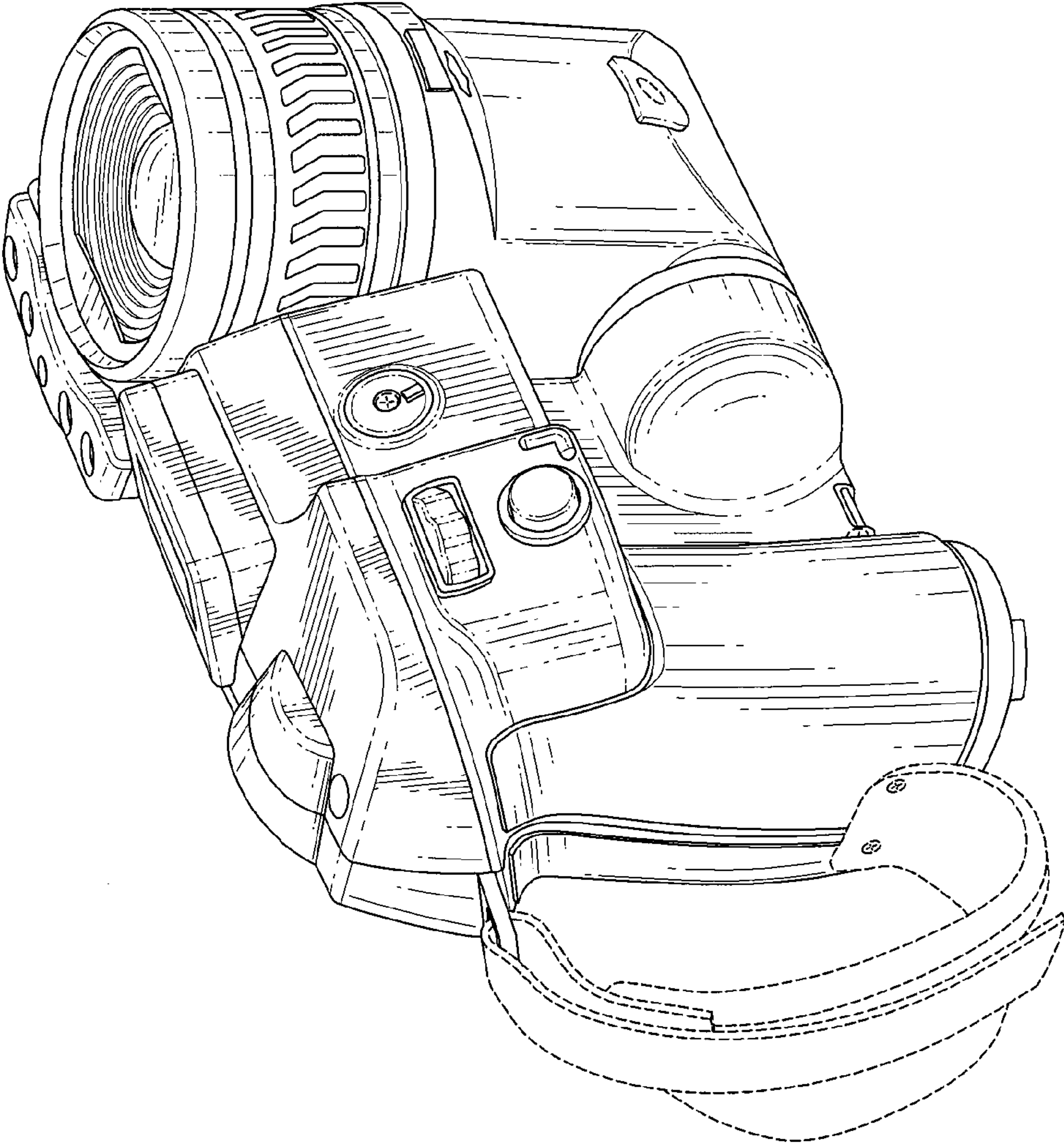


FIG. 2

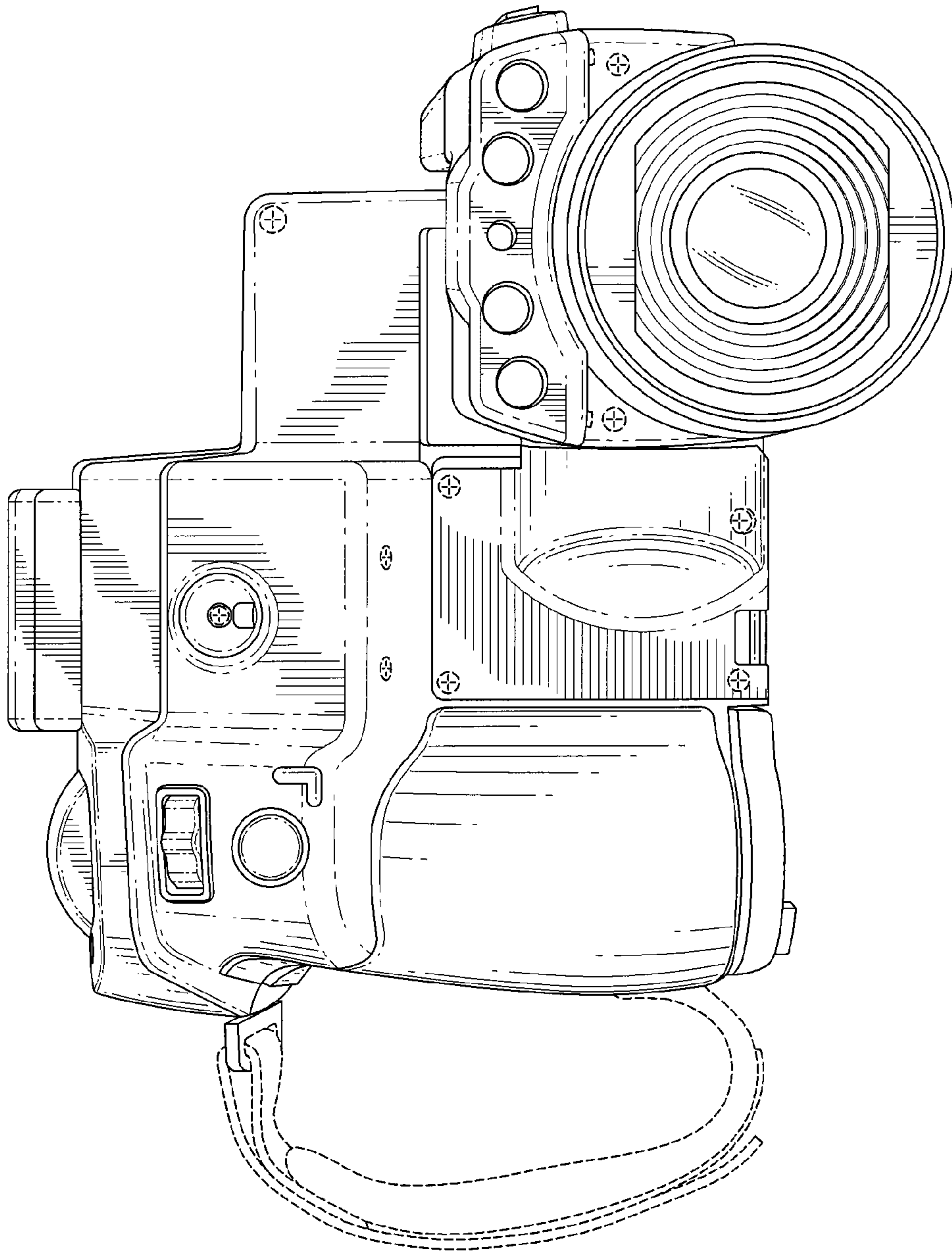


FIG. 3

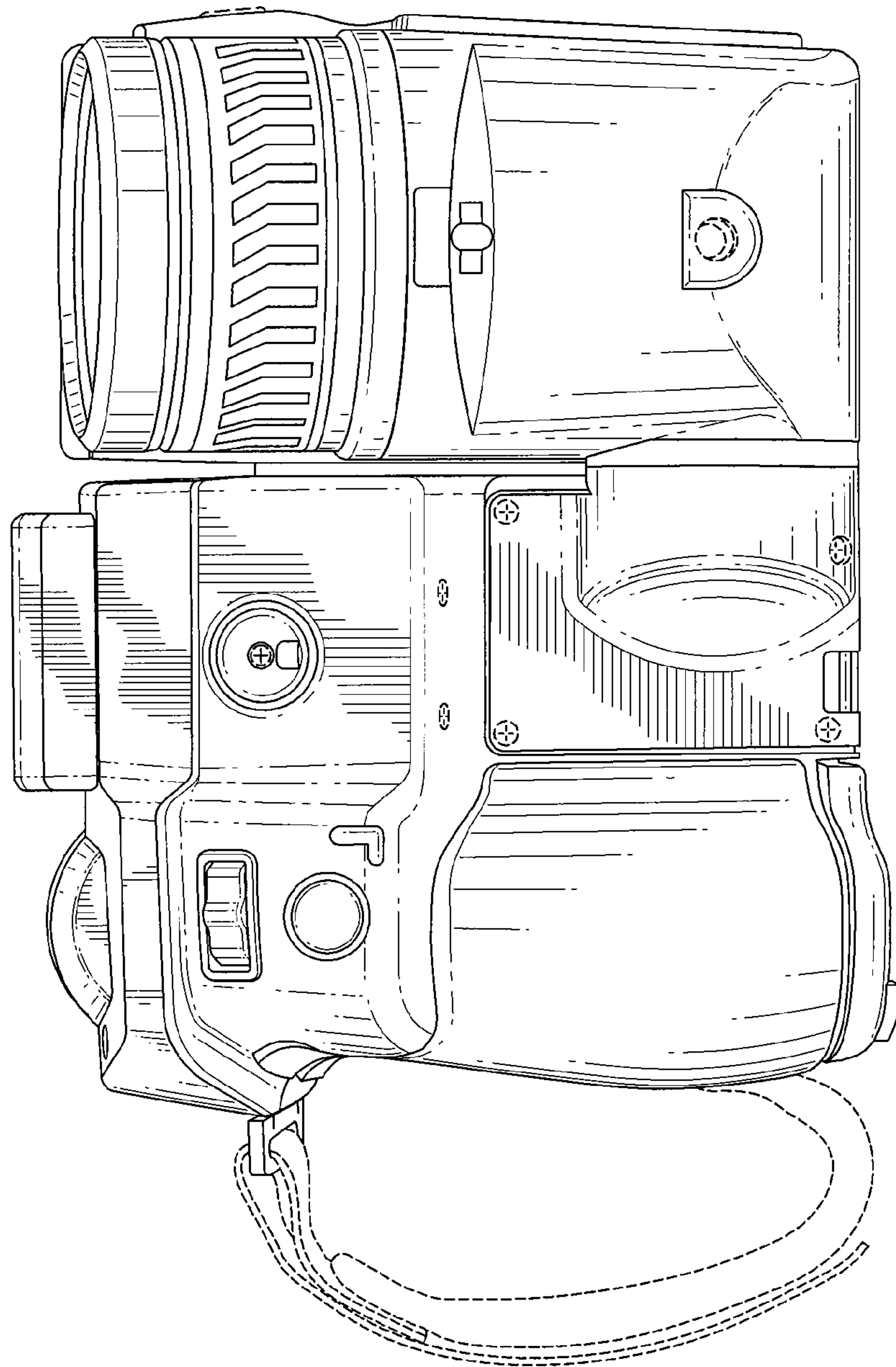


FIG.4

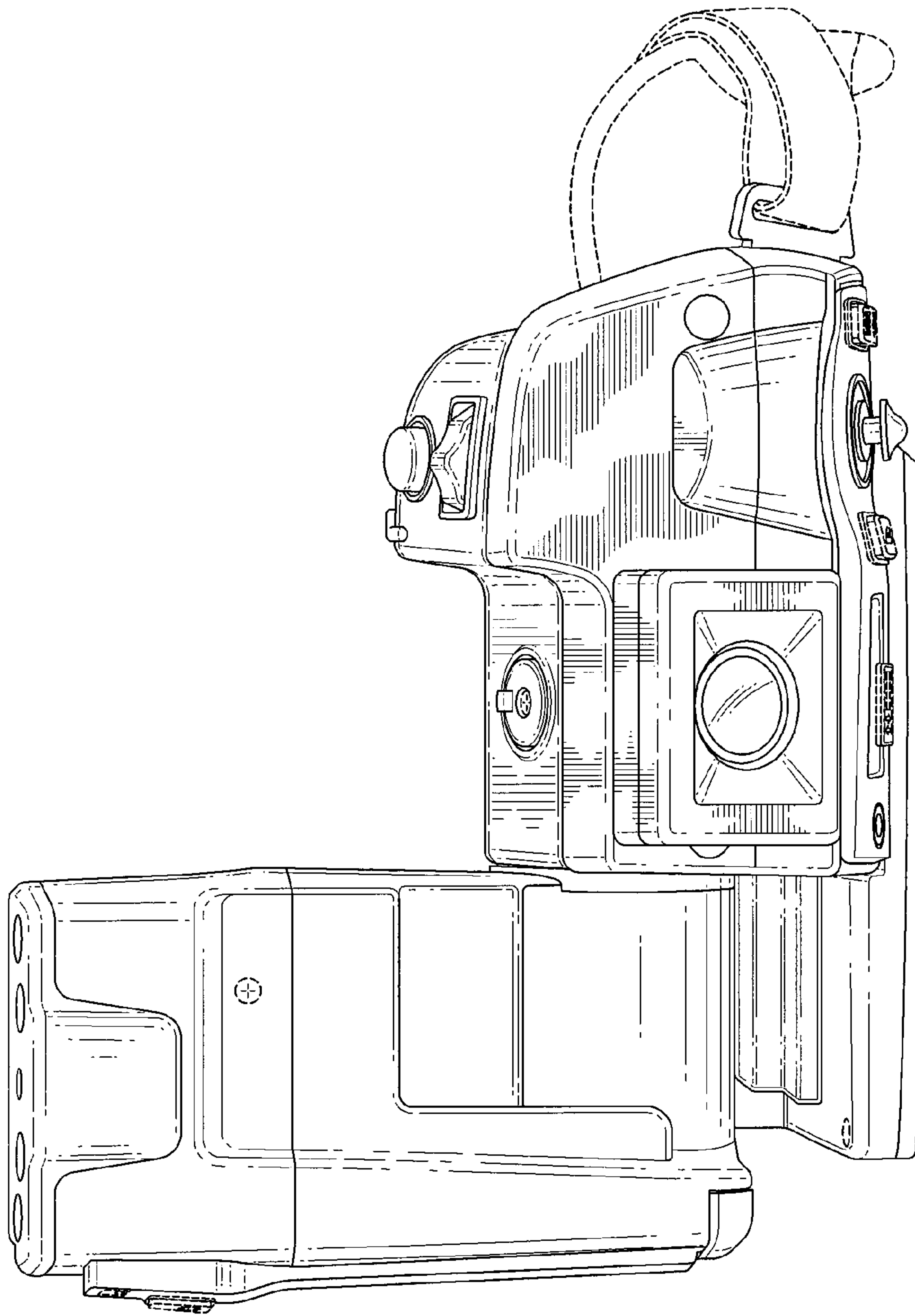


FIG. 5

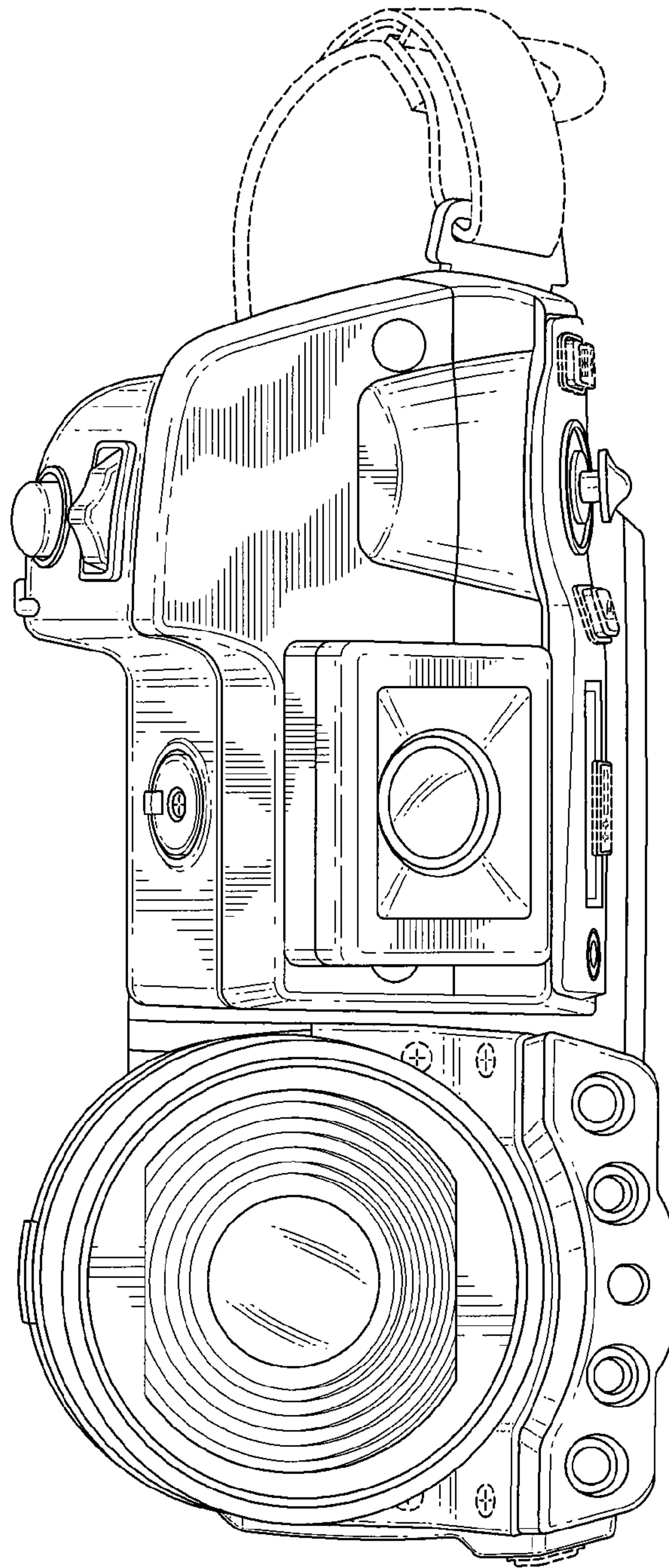


FIG. 6

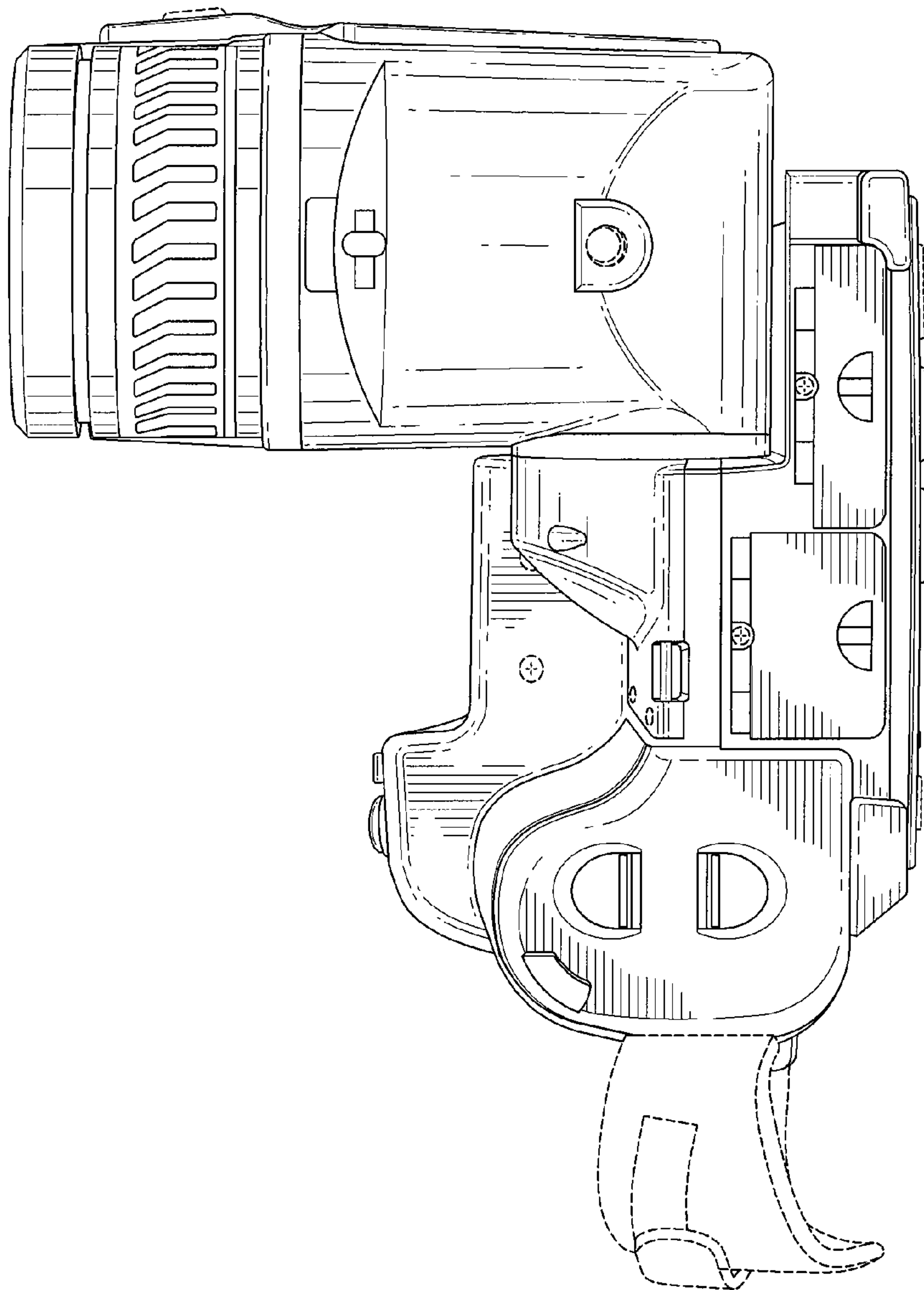


FIG. 7

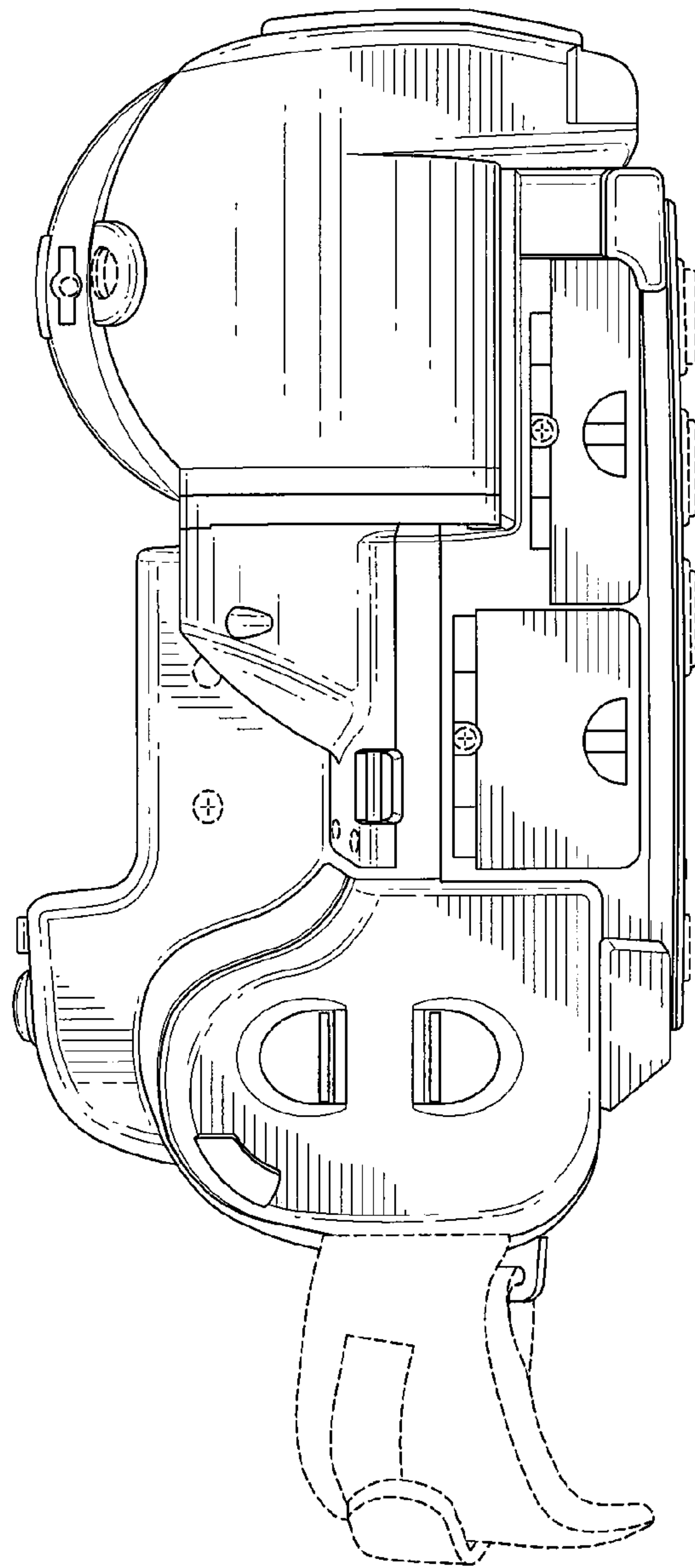


FIG. 8

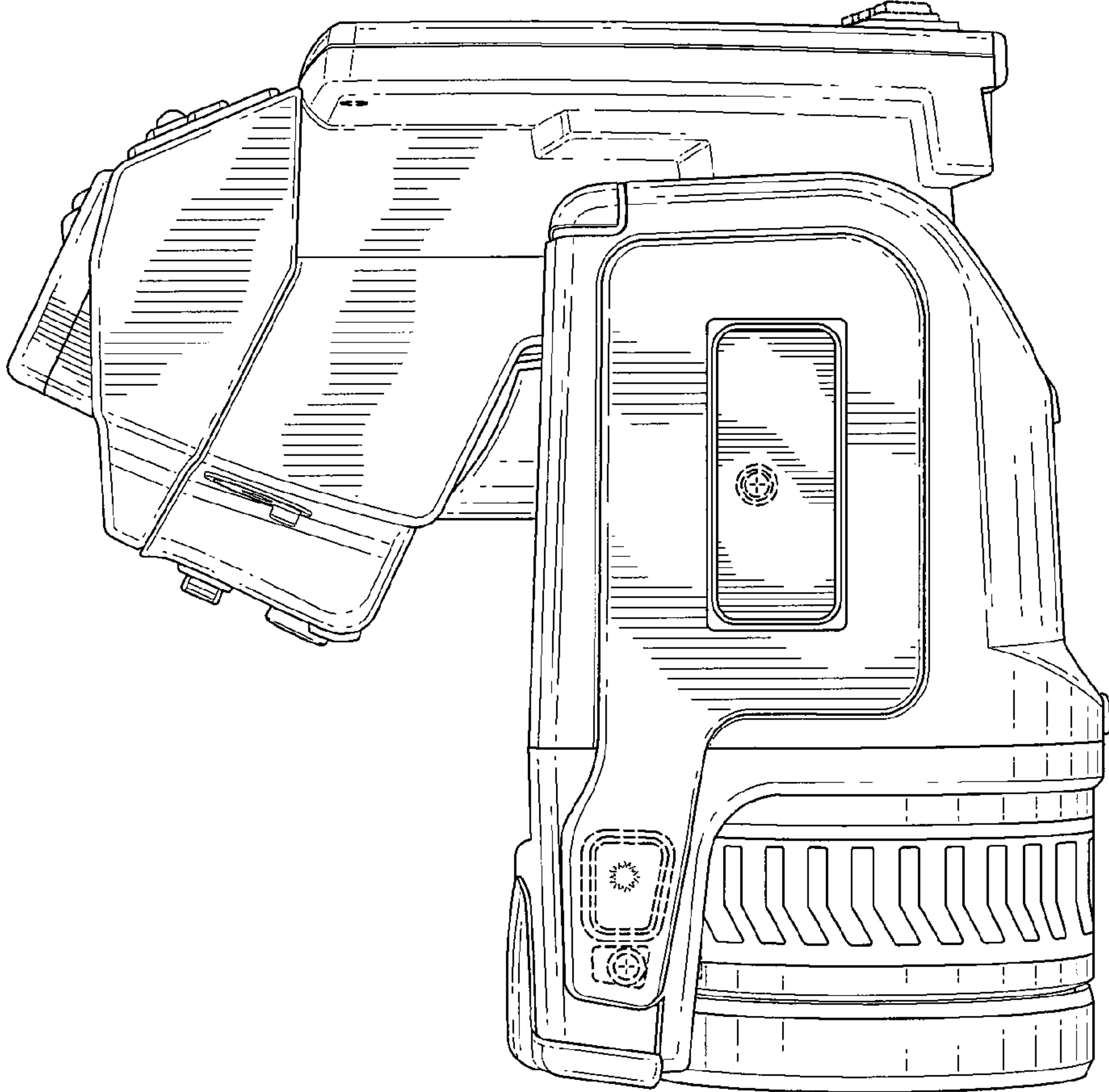


FIG. 9

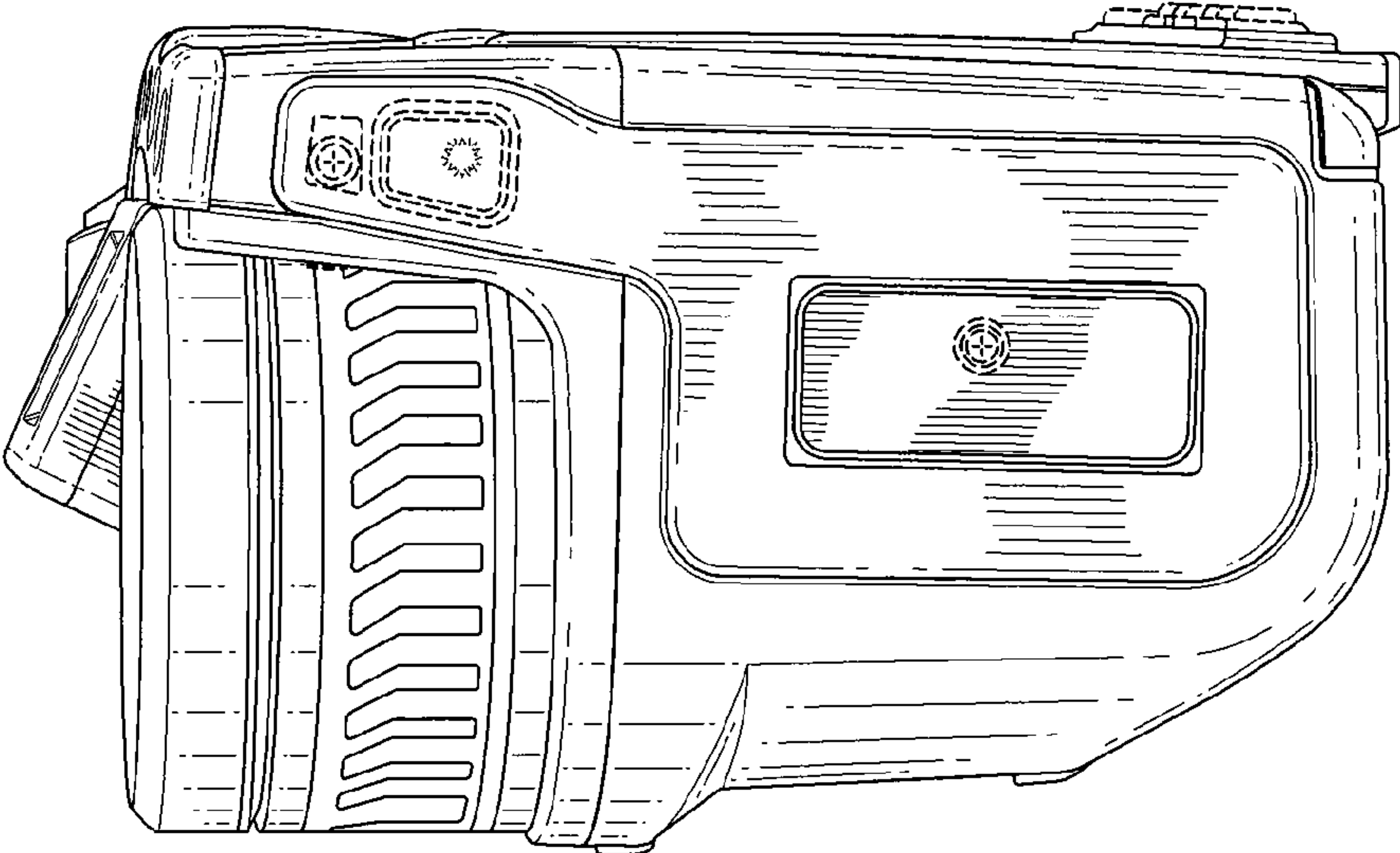


FIG. 10

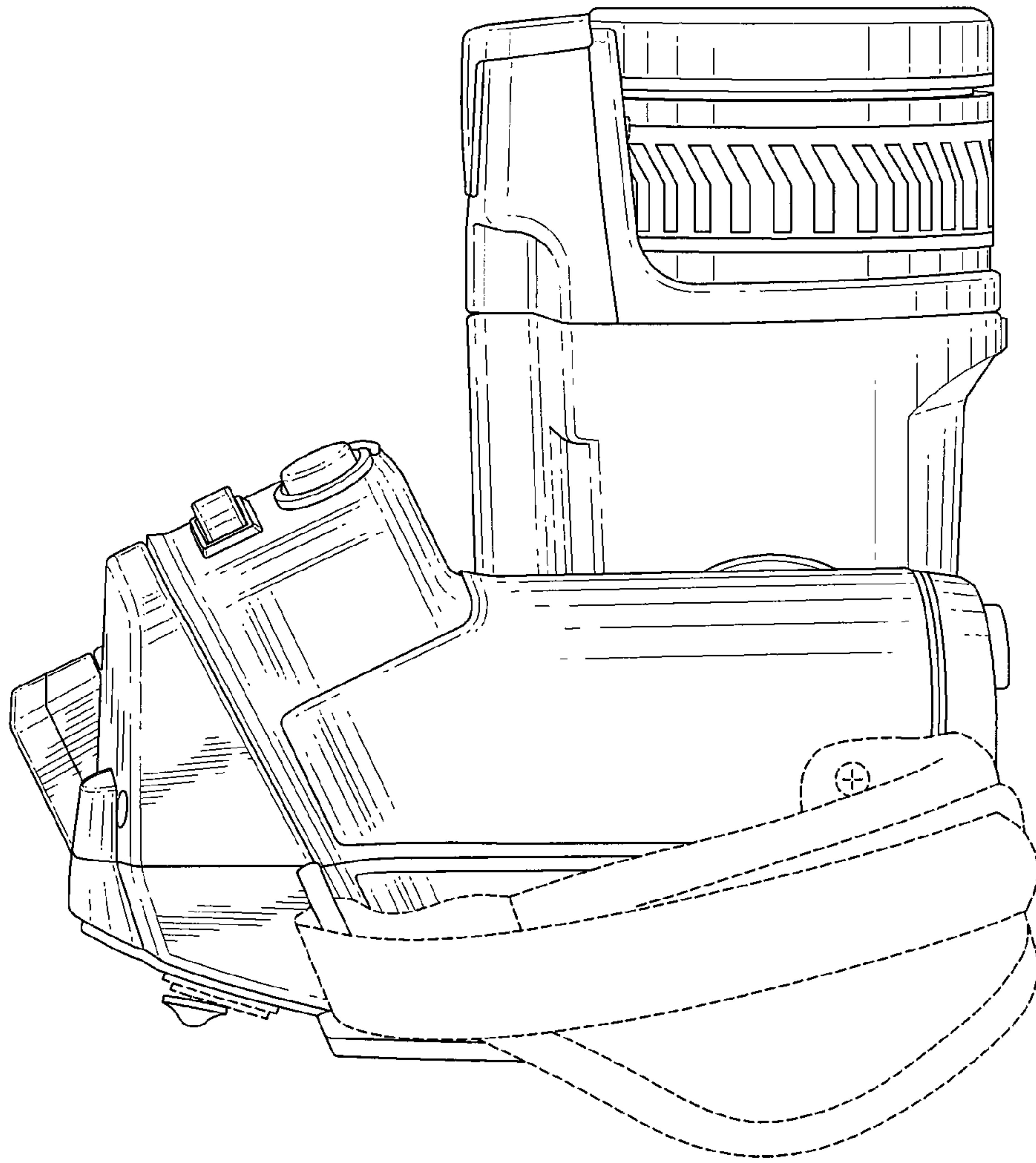


FIG. 11

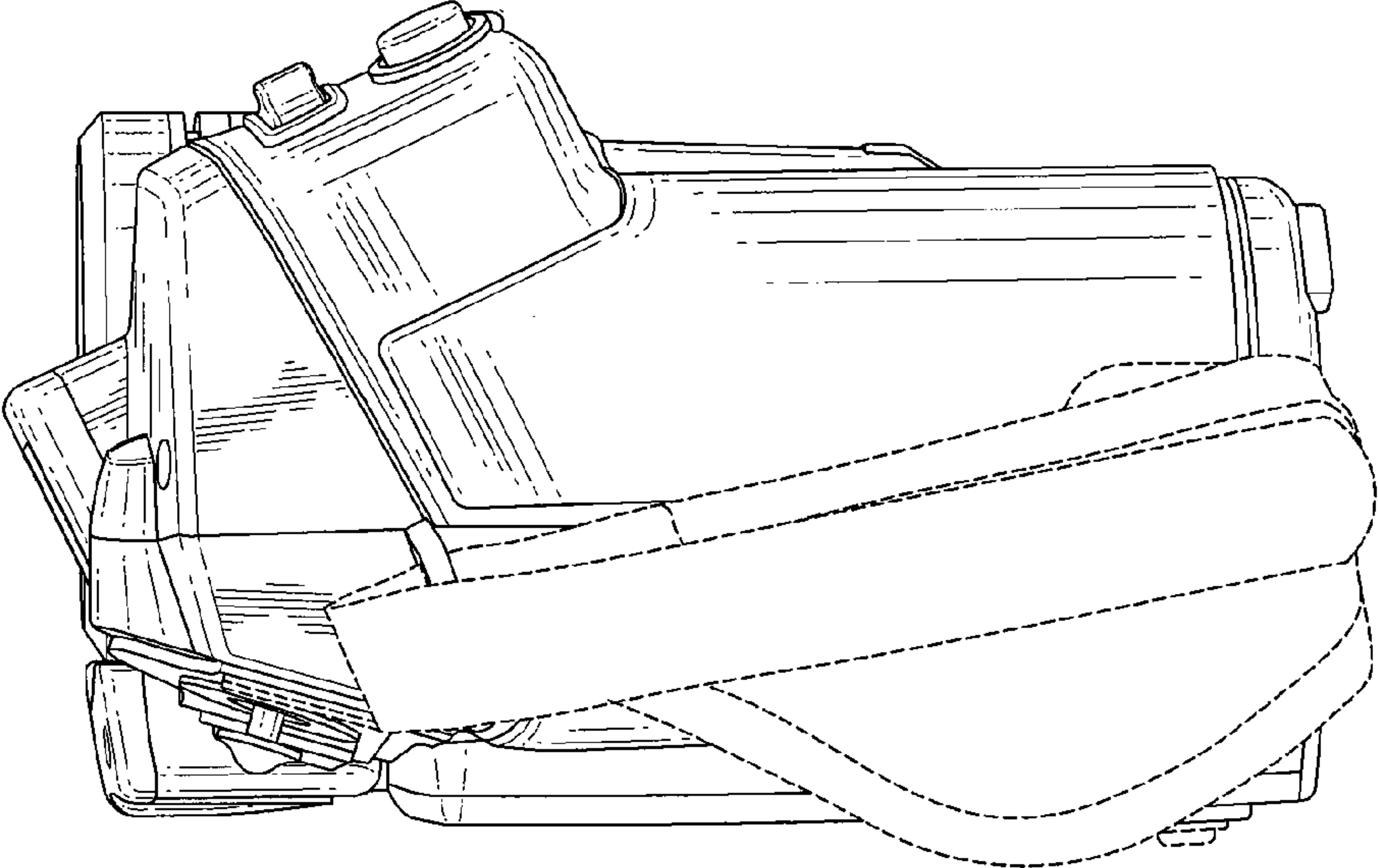


FIG. 12

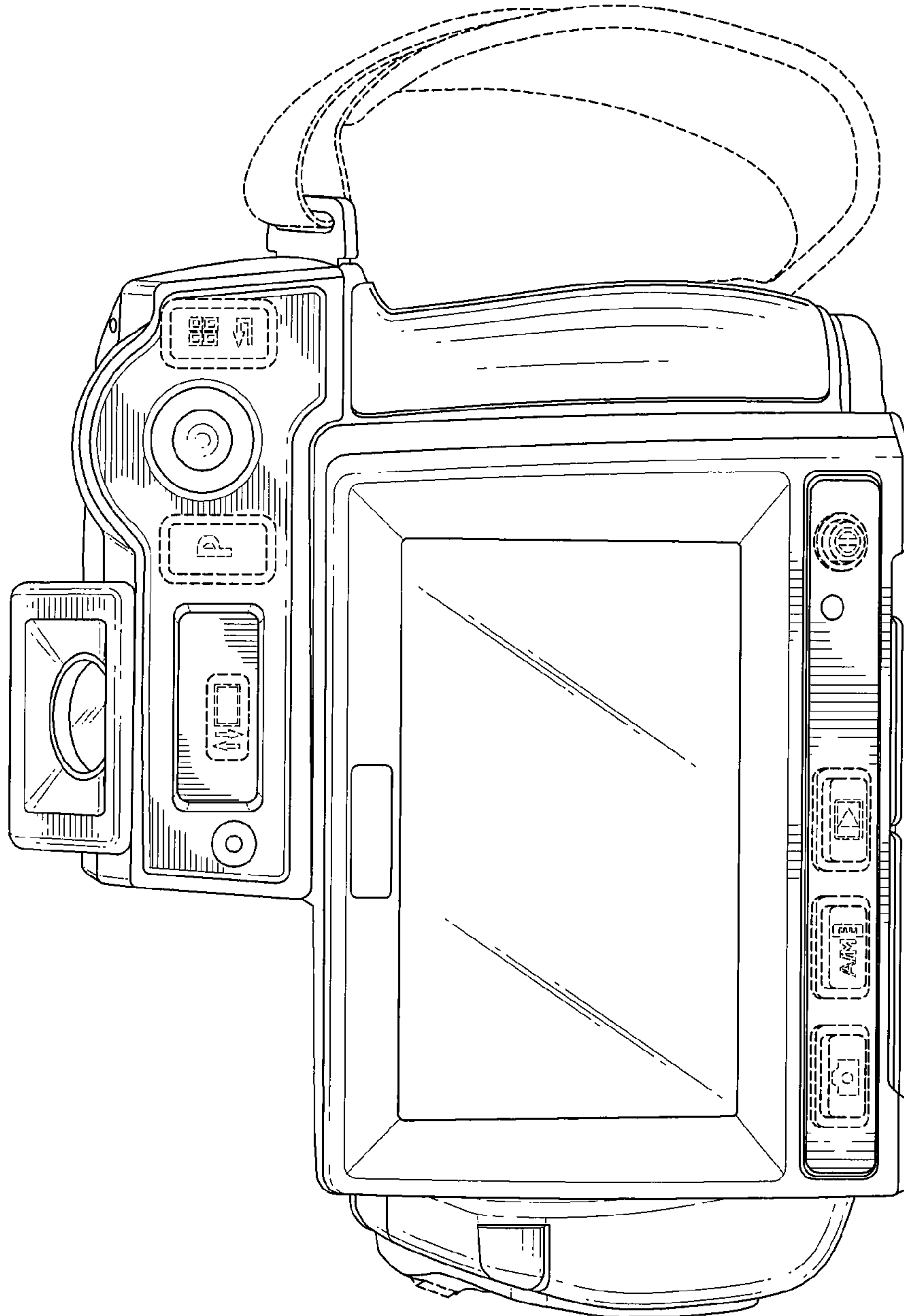


FIG.13