

US00D665003S

(12) **United States Design Patent**  
**Sakai**

(10) **Patent No.:** **US D665,003 S**

(45) **Date of Patent:** **\*\* Aug. 7, 2012**

(54) **ELECTRONIC CAMERA**

(75) Inventor: **Masayuki Sakai**, Tokyo (JP)

(73) Assignee: **FUJIFILM Corporation**, Tokyo (JP)

(\*\*) Term: **14 Years**

(21) Appl. No.: **29/399,484**

(22) Filed: **Aug. 15, 2011**

(30) **Foreign Application Priority Data**

Feb. 16, 2011 (JP) ..... 2011-003205

(51) **LOC (9) Cl.** ..... **16-01**

(52) **U.S. Cl.** ..... **D16/202**

(58) **Field of Classification Search** ..... D16/200–204,  
D16/208, 218; 348/373–376; 358/909.1;  
396/535–541

See application file for complete search history.

(56) **References Cited**

U.S. PATENT DOCUMENTS

D548,255 S *	8/2007	Naito	.....	D16/202
D573,623 S *	7/2008	Nakajima	.....	D16/218
7,646,426 B2 *	1/2010	Saiki et al.	.....	348/373
D610,179 S *	2/2010	Tajima	.....	D16/202
D640,300 S *	6/2011	Sato et al.	.....	D16/202
D648,765 S *	11/2011	Tsukamoto	.....	D16/202

\* cited by examiner

*Primary Examiner* — Adir Aronovich

(74) *Attorney, Agent, or Firm* — Sughrue Mion, PLLC

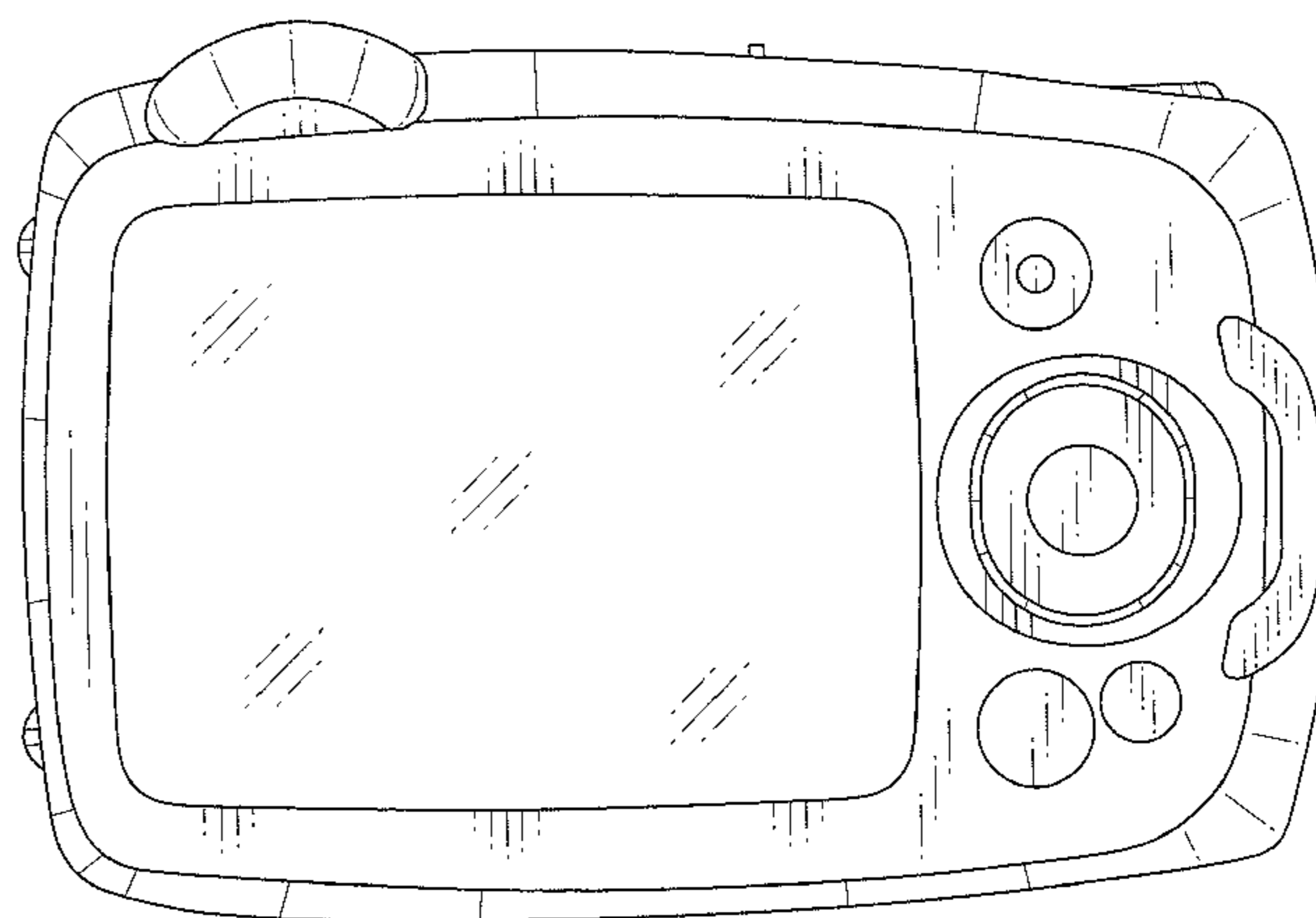
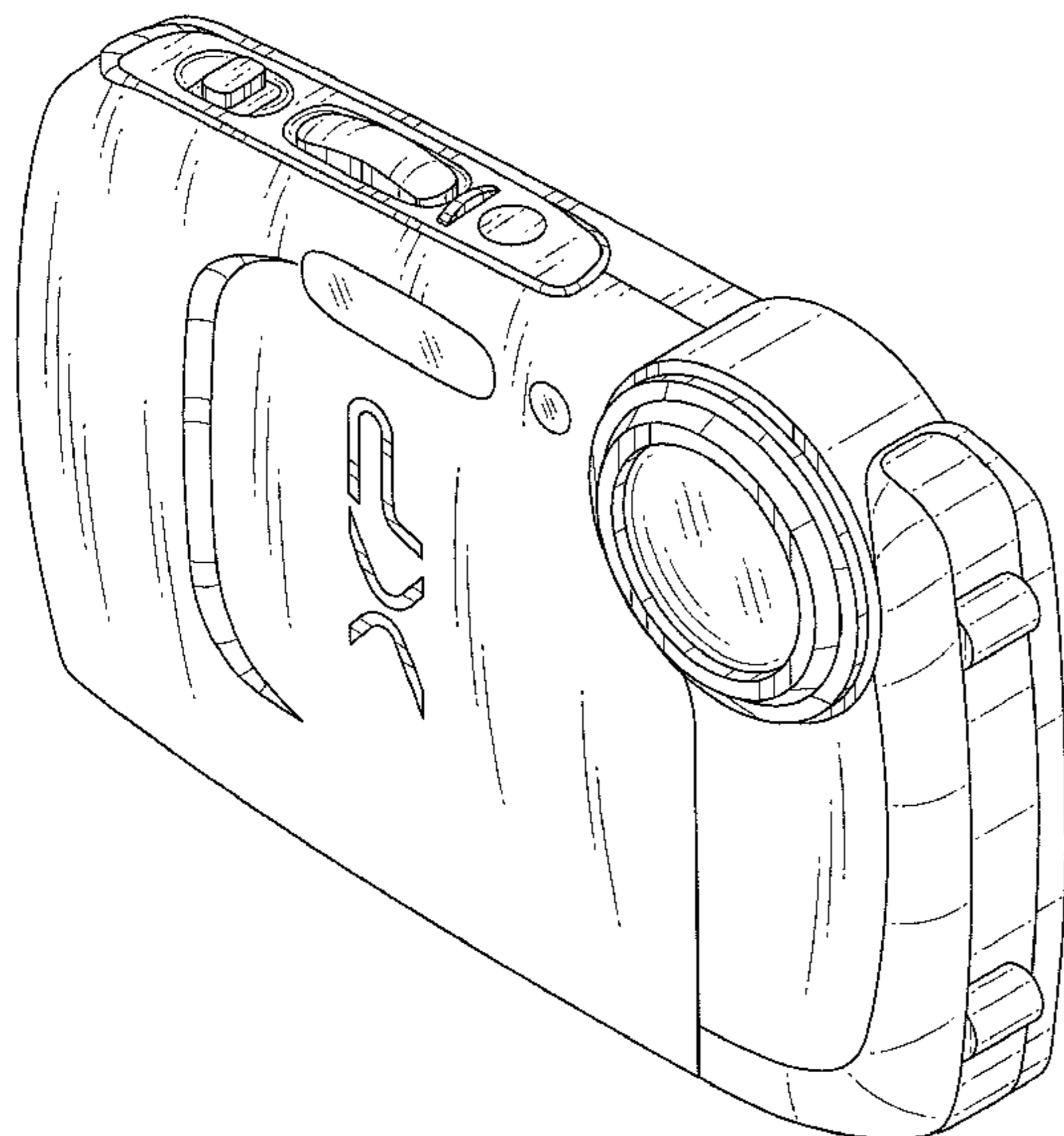
(57) **CLAIM**

The ornamental design for an electronic camera, as shown and described.

**DESCRIPTION**

FIG. 1 is a top, front and side perspective view of an electronic camera showing my new design;  
FIG. 2 is a front elevational view thereof;  
FIG. 3 is a rear elevational view thereof;  
FIG. 4 is a top plan view thereof;  
FIG. 5 is a bottom plan view thereof;  
FIG. 6 is a right side elevational view thereof; and,  
FIG. 7 is a left side elevational view thereof.

**1 Claim, 5 Drawing Sheets**



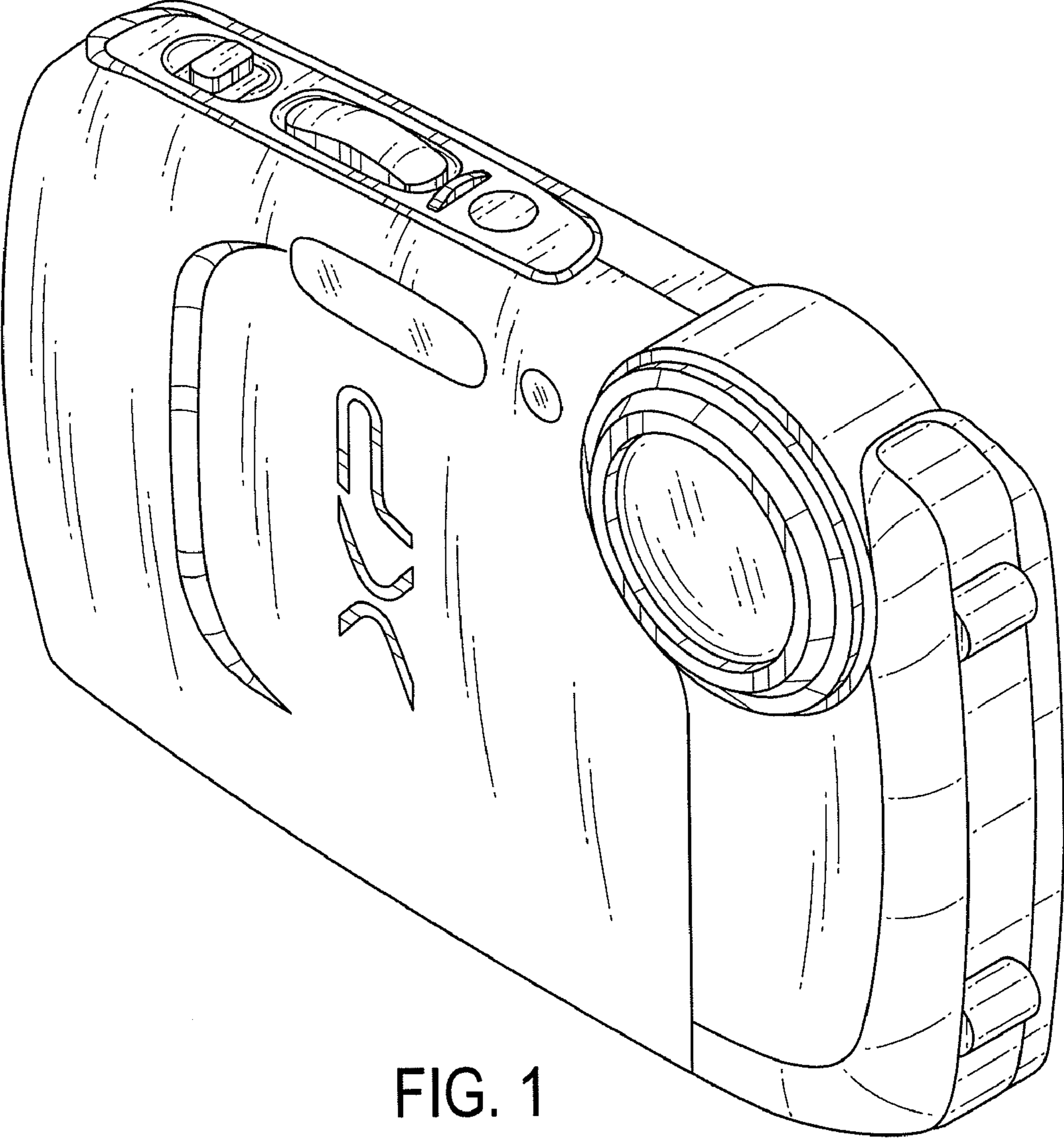


FIG. 1

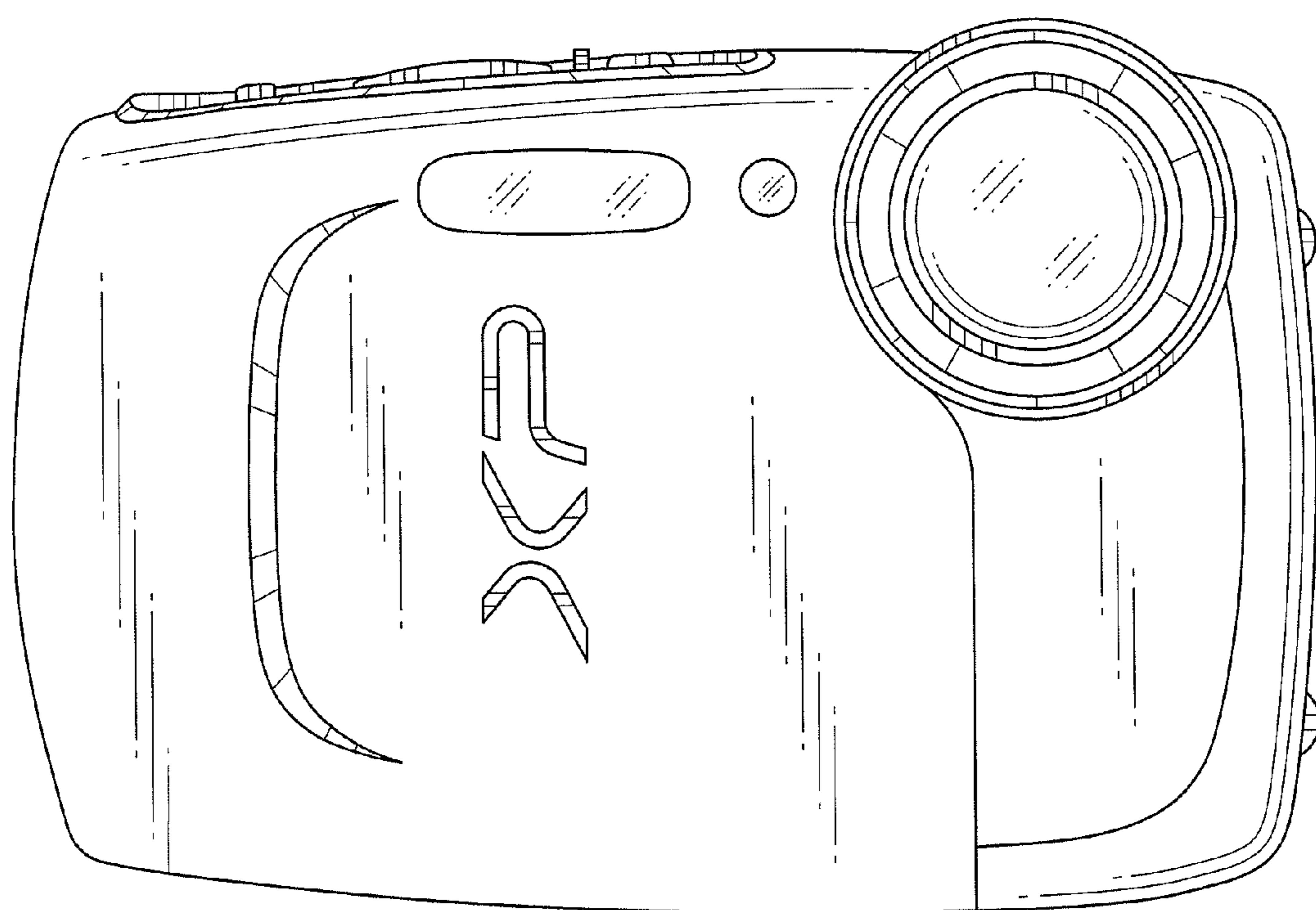


FIG. 2

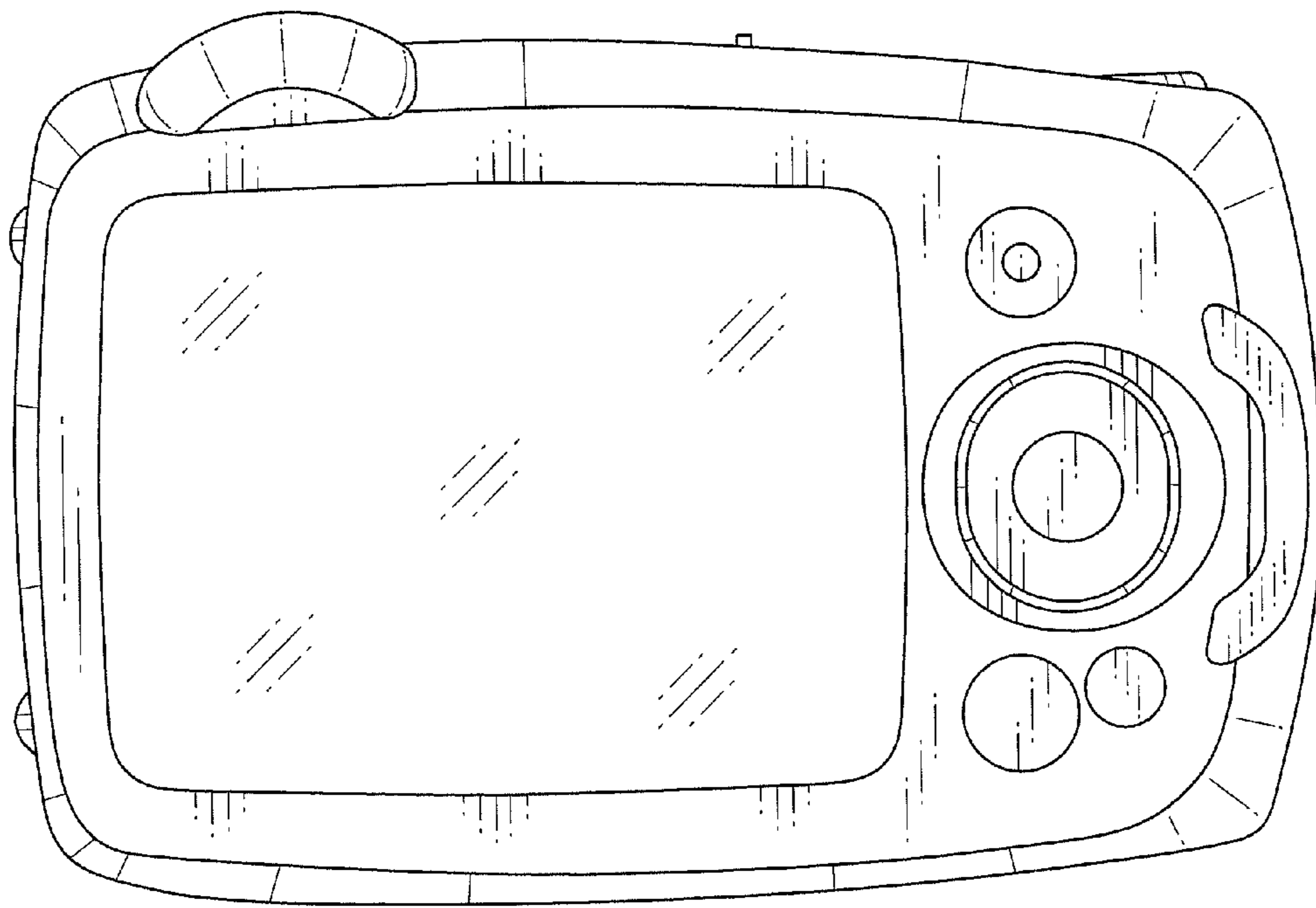


FIG. 3

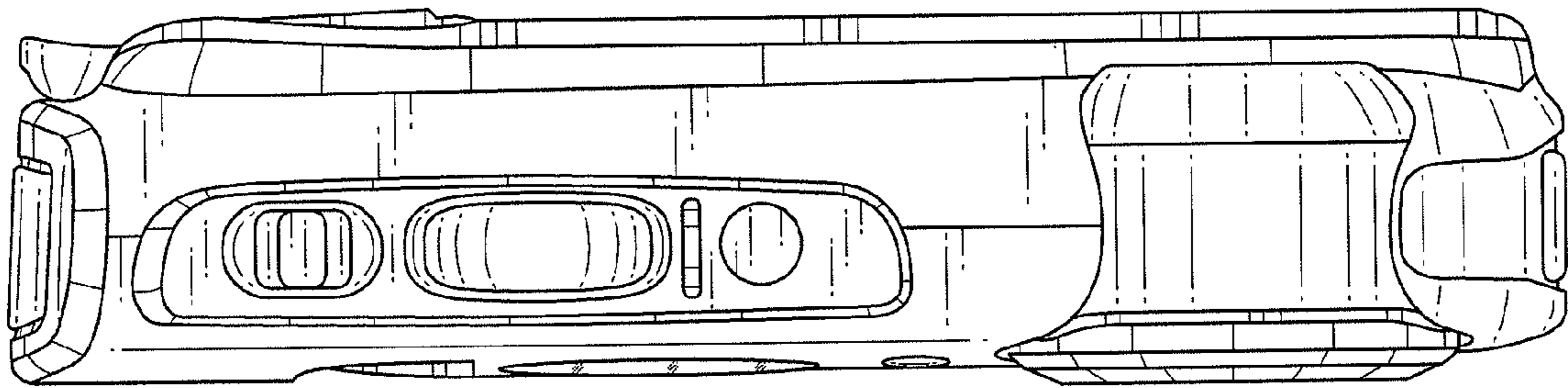


FIG. 4

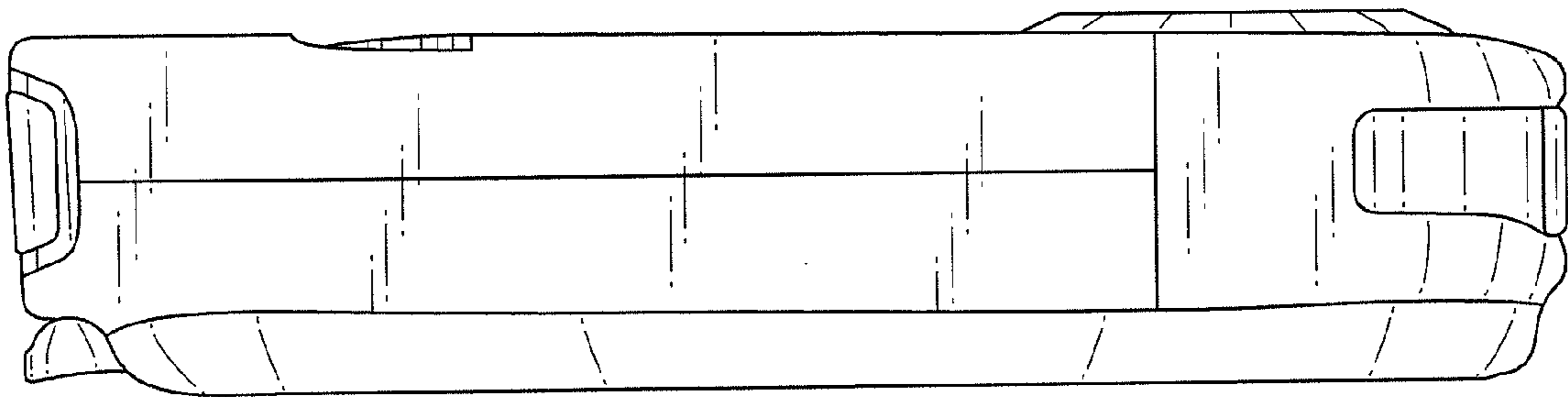


FIG. 5

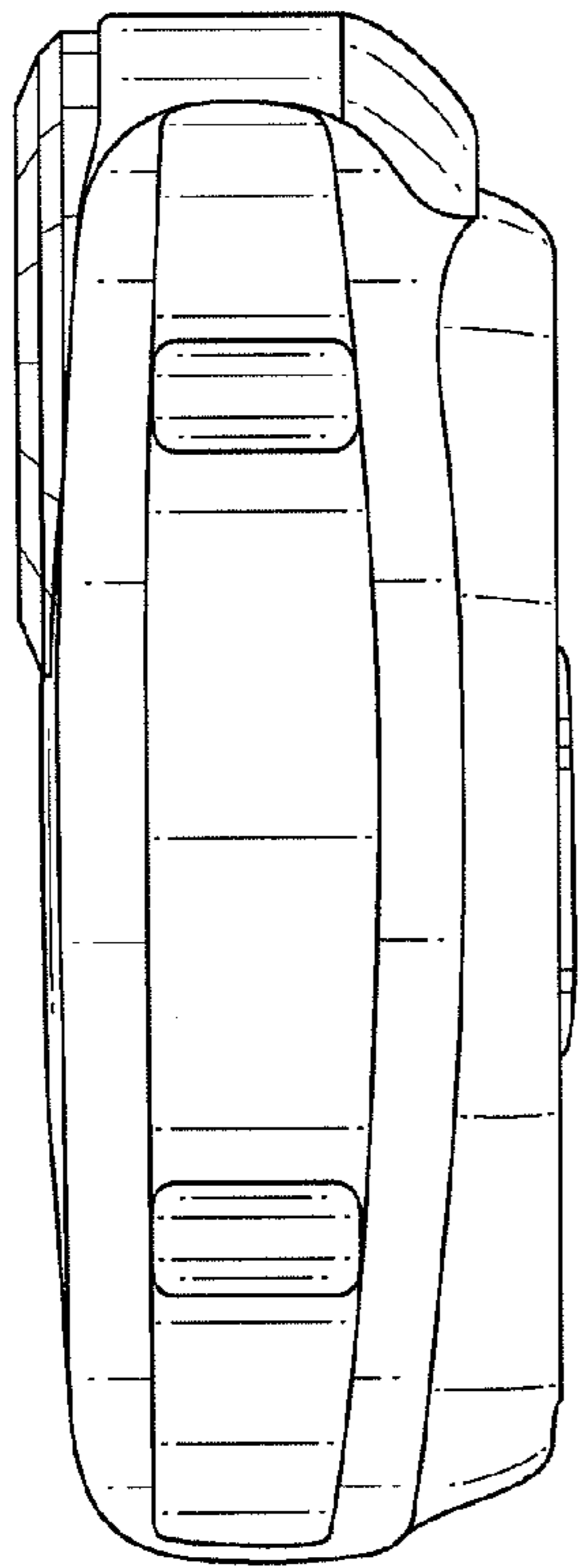


FIG. 6

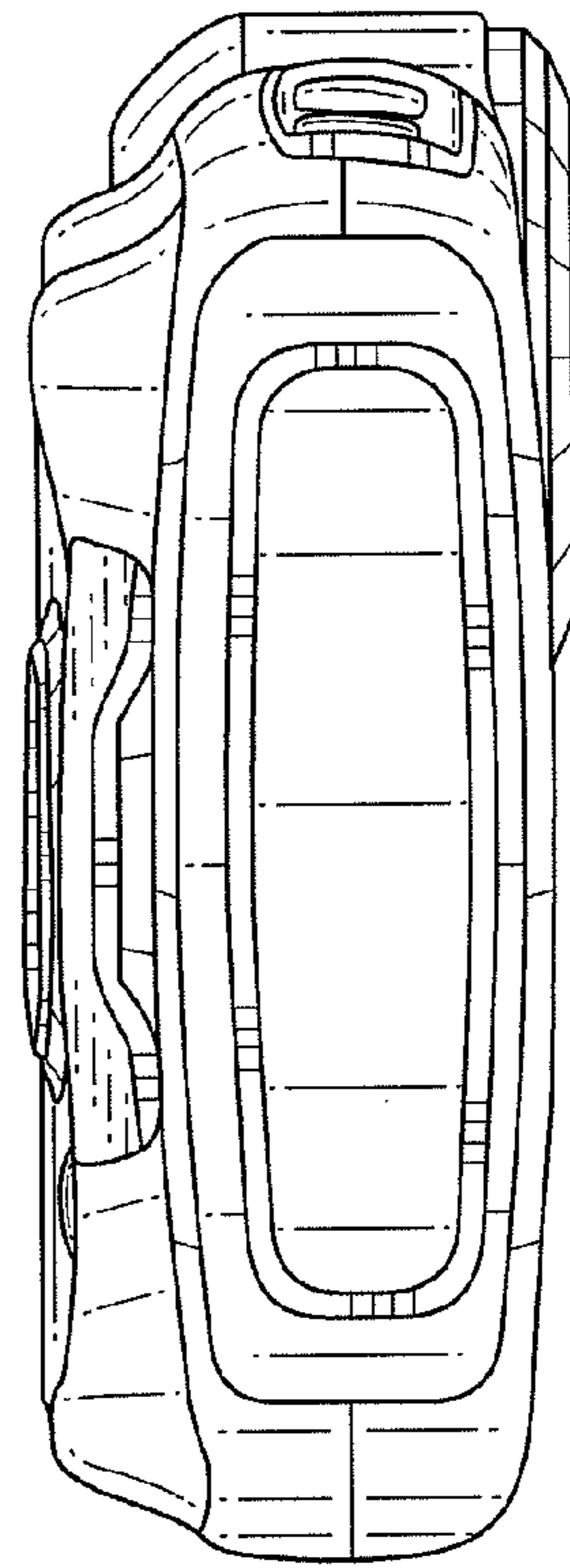


FIG. 7