



US00D664999S

(12) **United States Design Patent**  
**Desberg**

(10) **Patent No.:** **US D664,999 S**

(45) **Date of Patent:** **\*\* Aug. 7, 2012**

(54) **ICE CREAM MAKER**

(75) Inventor: **Ian Desberg**, Emeryville, CA (US)

(73) Assignee: **MerchSource, LLC**, Foothill Ranch, CA (US)

(\*\*) Term: **14 Years**

(21) Appl. No.: **29/397,319**

(22) Filed: **Jul. 14, 2011**

(51) **LOC (9) Cl.** ..... **15-07**

(52) **U.S. Cl.** ..... **D15/82**

(58) **Field of Classification Search** ..... D15/79,  
D15/82, 89; D7/311, 376, 602, 605; 62/76,  
62/305, 309, 342, 345, 374, 376, 284  
See application file for complete search history.

(56) **References Cited**

U.S. PATENT DOCUMENTS

2,412,068	A	*	12/1946	Spader	.....	D15/82
D175,827	S	*	10/1955	Ellins	.....	D15/82
D321,697	S	*	11/1991	Blaustein et al.	.....	D15/82
D323,513	S	*	1/1992	van Asten	.....	D15/82
D346,389	S	*	4/1994	Lindholm	.....	D15/82
D372,252	S	*	7/1996	Leong	.....	D15/82
D383,471	S	*	9/1997	Hsu	.....	D15/82
D406,154	S	*	2/1999	Copland et al.	.....	D15/82
D456,031	S	*	4/2002	Smith	.....	D15/82
D466,138	S	*	11/2002	Baldonado et al.	.....	D15/82
D469,451	S	*	1/2003	Wanat et al.	.....	D15/82

D515,113	S	*	2/2006	Monsalve et al.	.....	D15/80
D537,847	S	*	3/2007	Li	.....	D15/82
D617,352	S	*	6/2010	Pryor et al.	.....	D15/82

\* cited by examiner

*Primary Examiner* — Mitchell Siegel

(74) *Attorney, Agent, or Firm* — The Eclipse Group LLP

(57) **CLAIM**

I claim the ornamental design for an ice cream maker, as shown and described.

**DESCRIPTION**

FIG. 1 is a perspective view of the right side of an ice cream maker.

FIG. 2 is an elevation view of the left side of the ice cream maker illustrated in FIG. 1.

FIG. 3 is an elevation view of the right side of the ice cream maker illustrated in FIG. 1.

FIG. 4 is a front elevation view of the ice cream maker illustrated in FIG. 1.

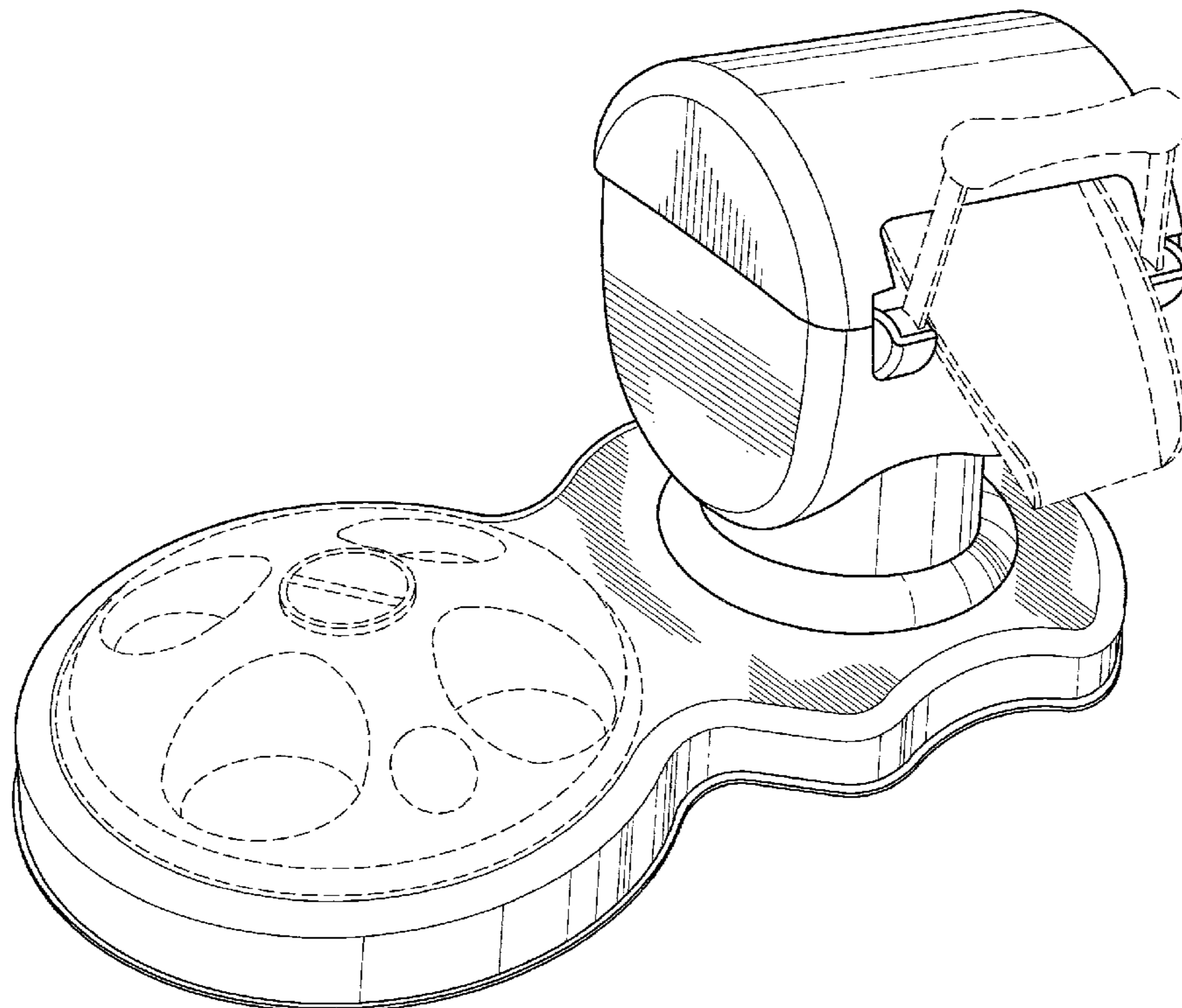
FIG. 5 is a rear elevation view of the ice cream maker illustrated in FIG. 1.

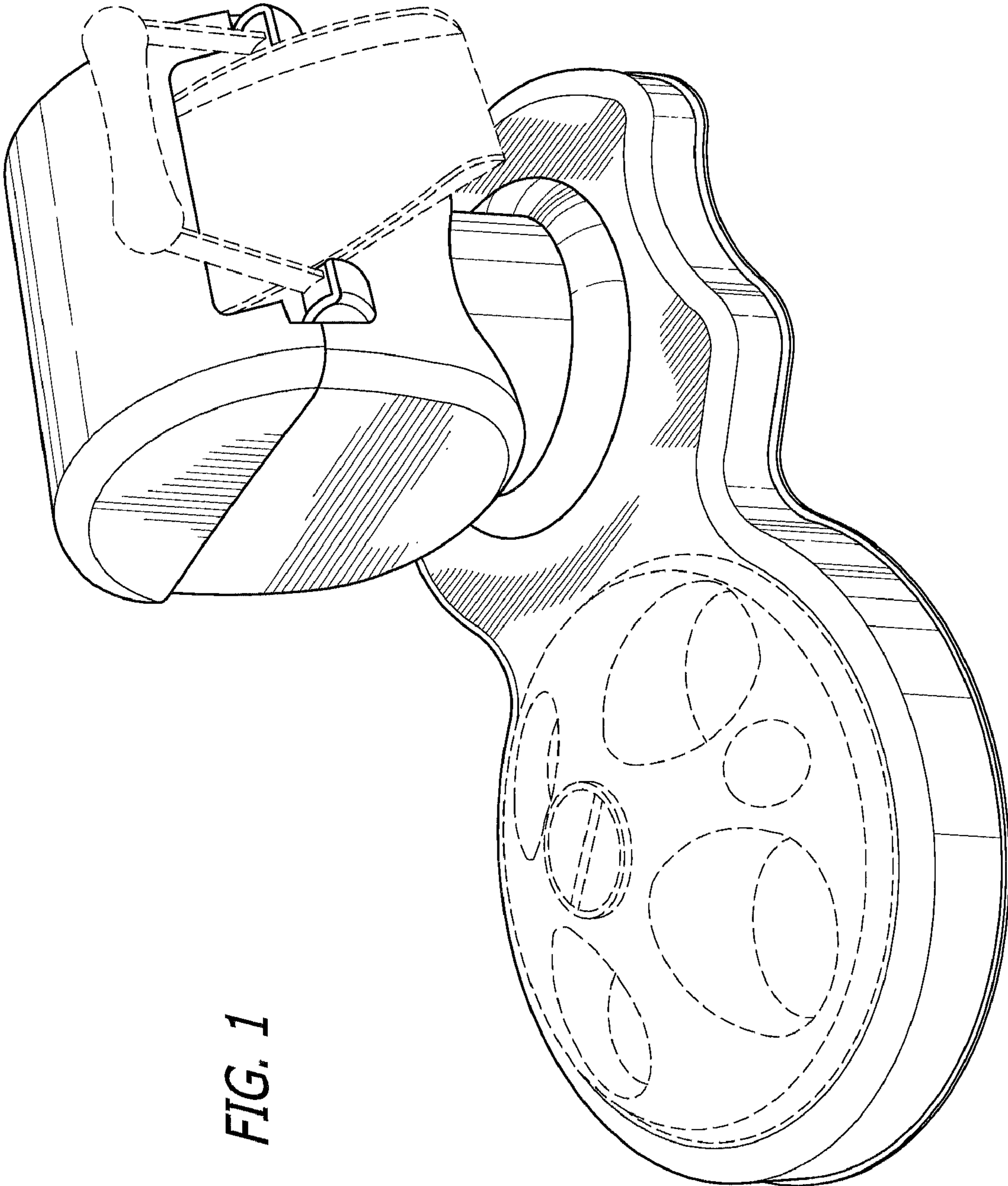
FIG. 6 is a top view of the ice cream maker illustrated in FIG. 1; and,

FIG. 7 is a bottom view of the ice cream maker illustrated in FIG. 1.

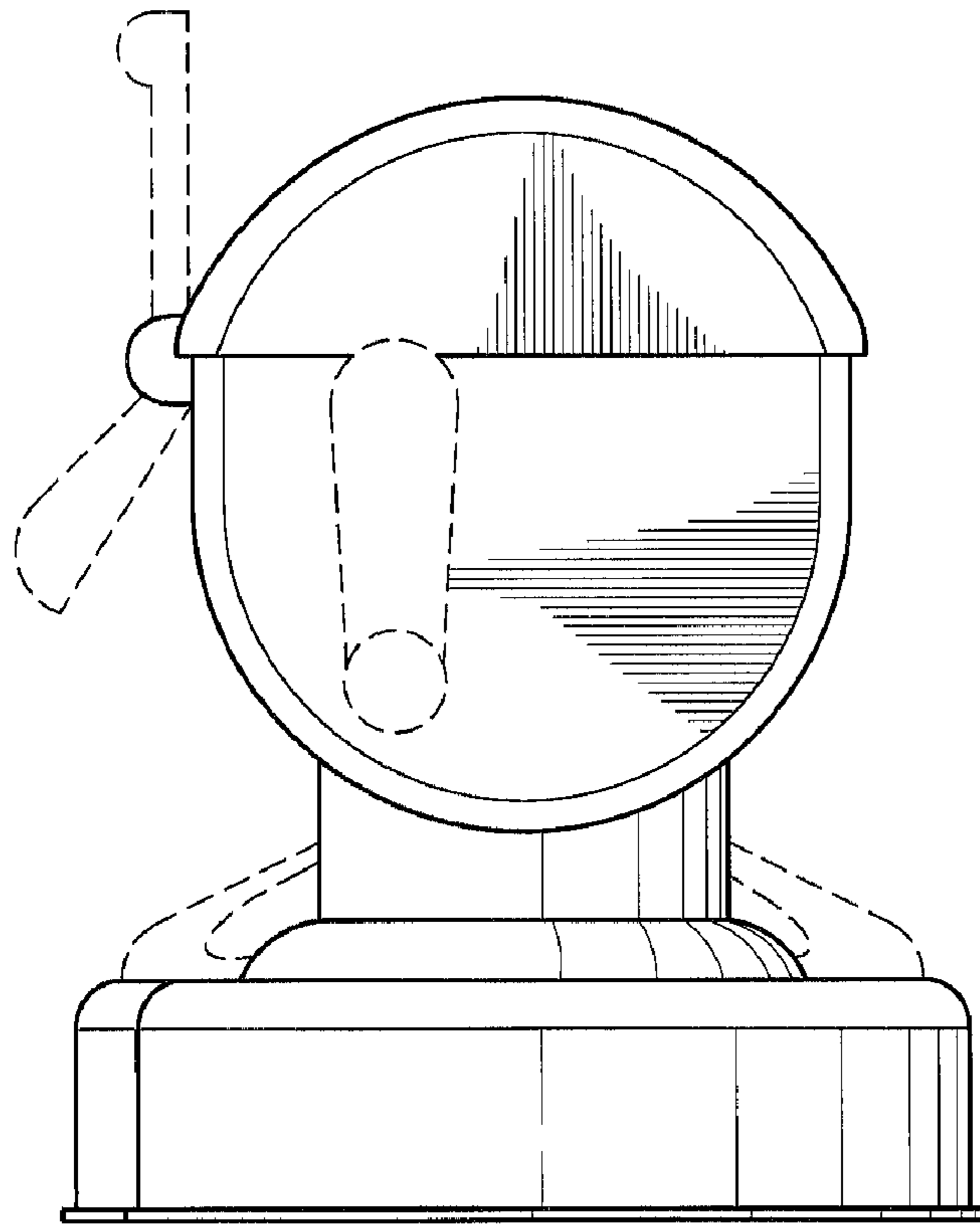
The portions of the ice cream maker in broken lines are shown for illustrative purposes only and form no part of the claimed design.

**1 Claim, 4 Drawing Sheets**

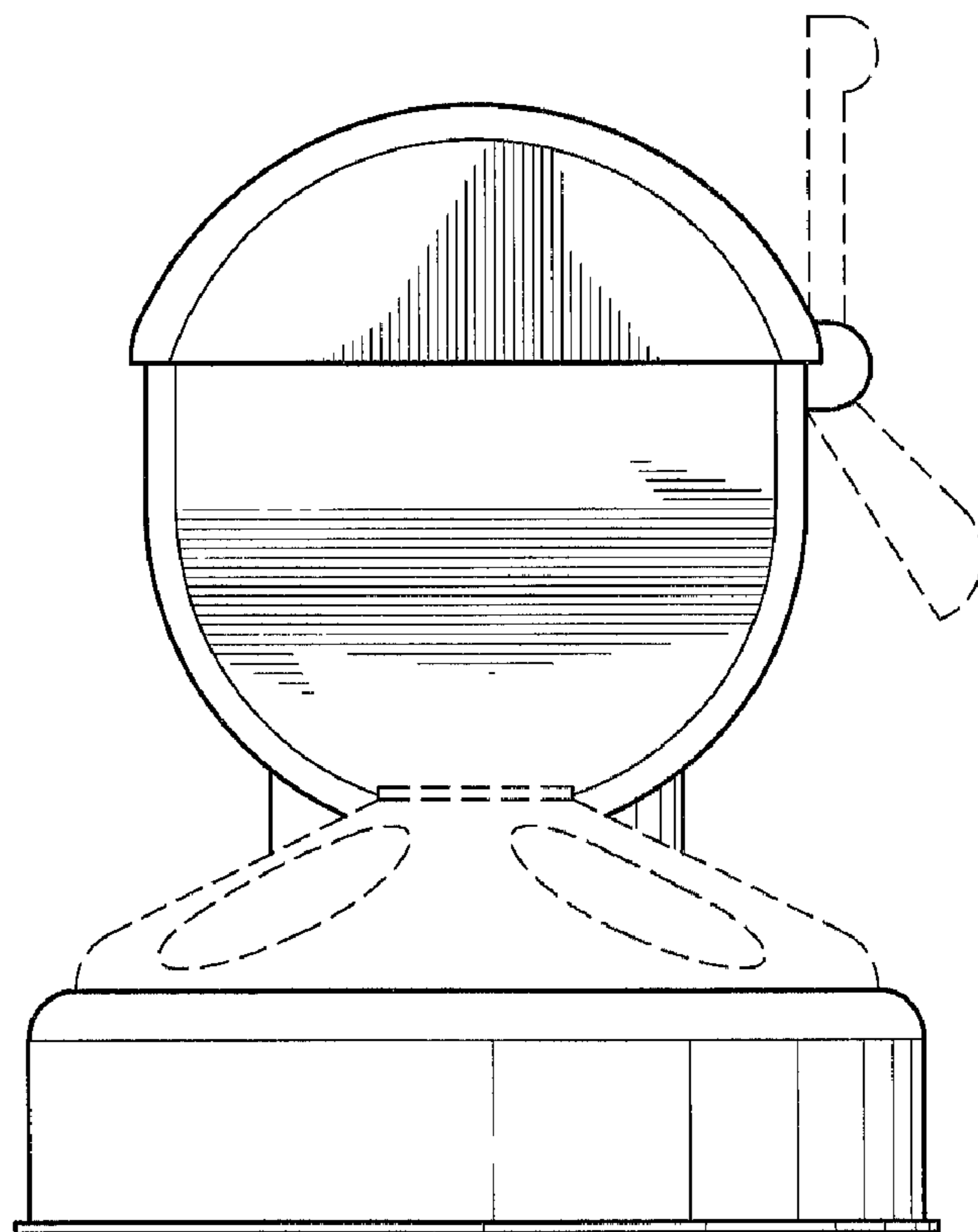




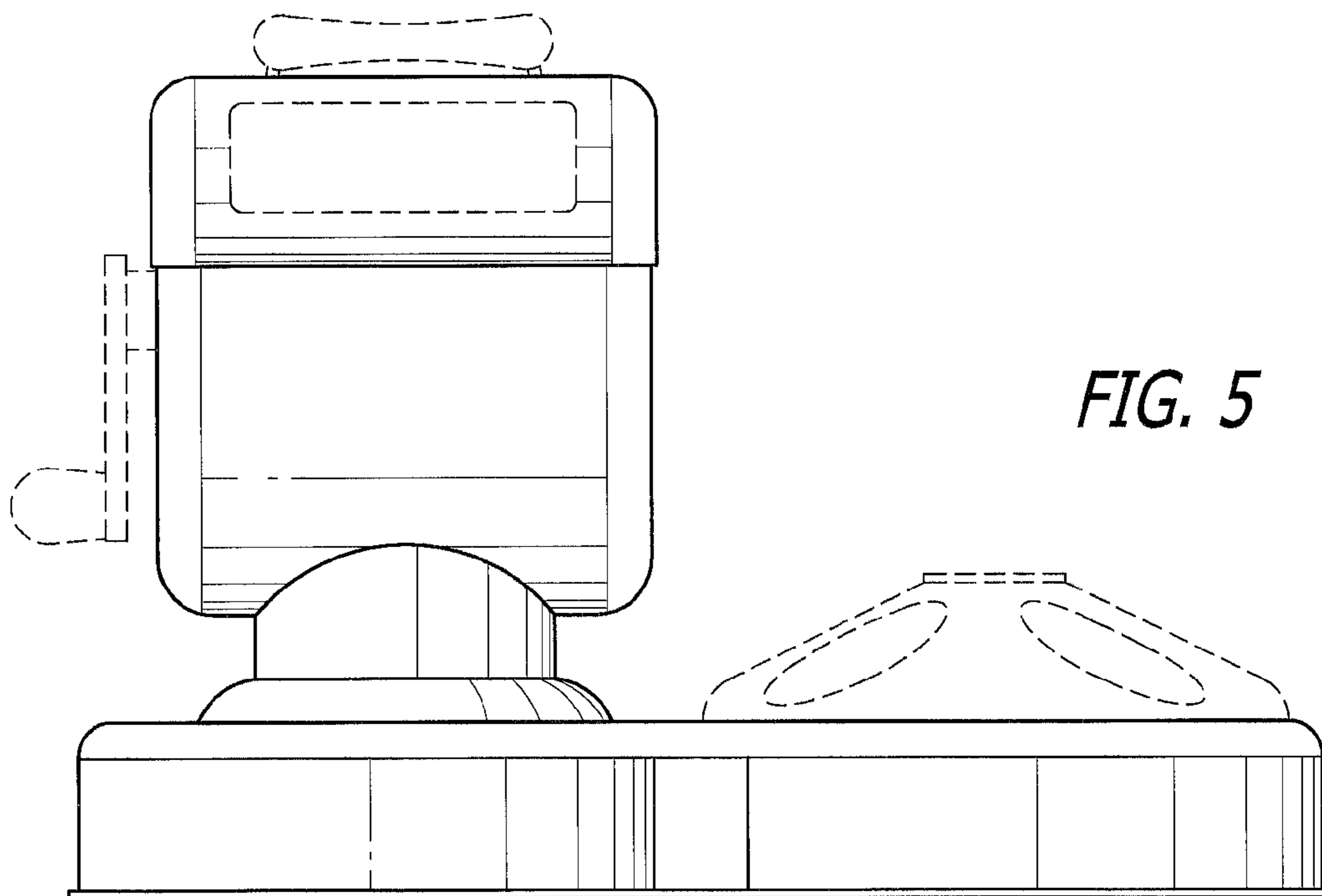
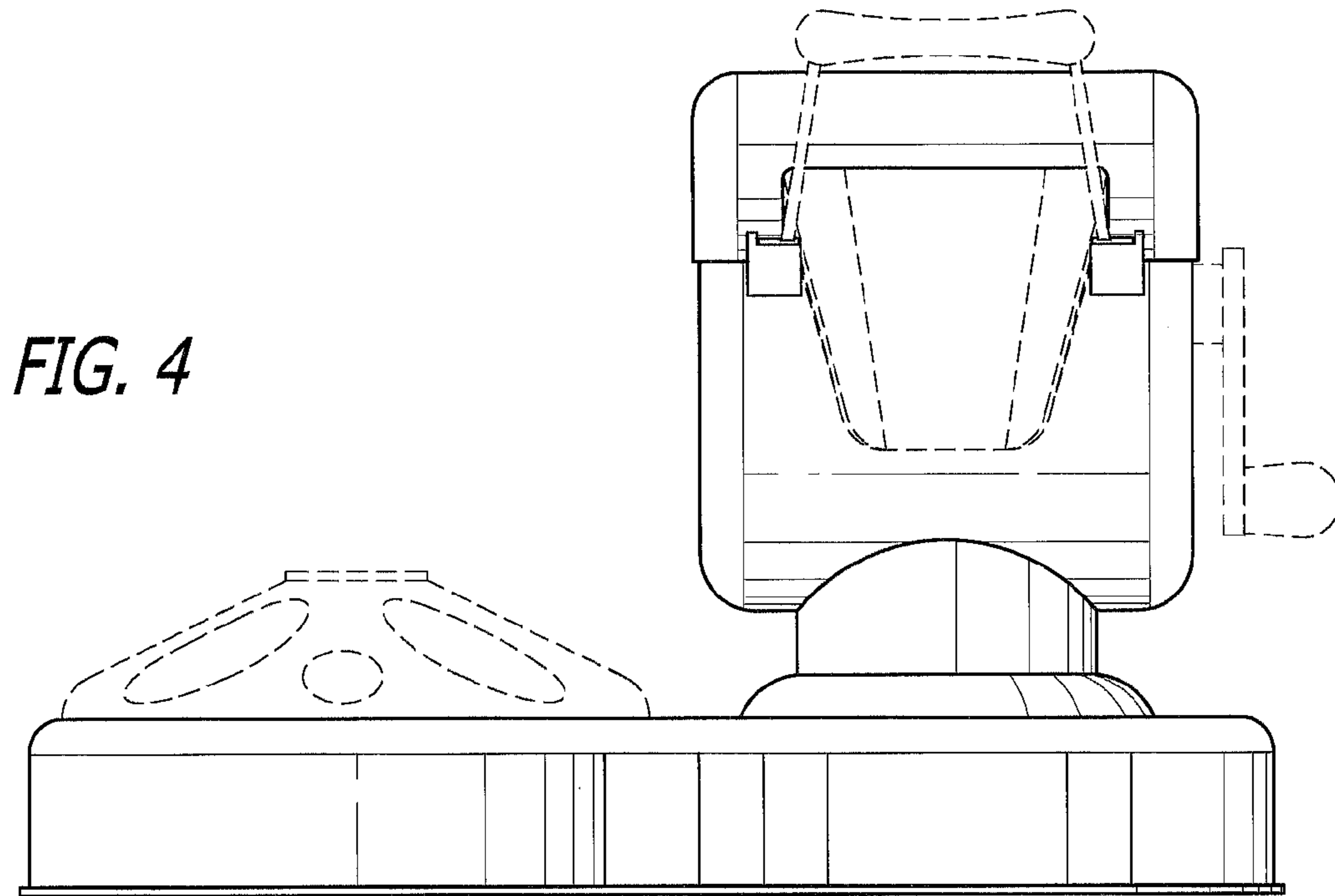
**FIG. 1**



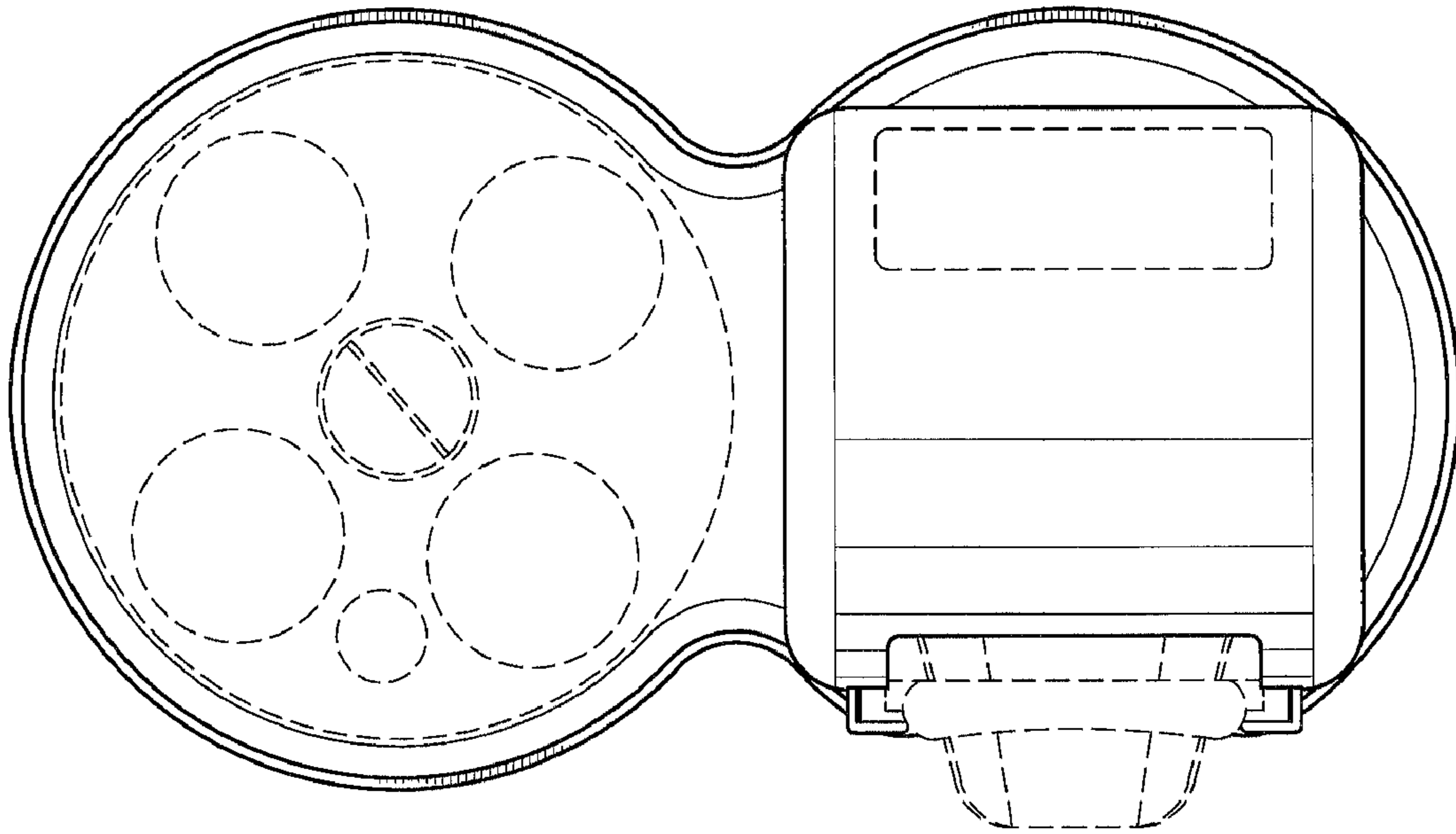
*FIG. 2*



*FIG. 3*



*FIG. 6*



*FIG. 7*

