

US00D664998S

(12) **United States Design Patent**
Warr

(10) **Patent No.:** **US D664,998 S**

(45) **Date of Patent:** **** Aug. 7, 2012**

(54) **SEAT MODULE**

(75) **Inventor:** **Owen J. Warr**, Muskego, WI (US)

(73) **Assignee:** **Harnischfeger Technologies, Inc.**,
Wilmington, DE (US)

(**) **Term:** **14 Years**

(21) **Appl. No.:** **29/407,733**

(22) **Filed:** **Dec. 1, 2011**

(51) **LOC (9) Cl.** **15-03**

(52) **U.S. Cl.** **D15/28**

(58) **Field of Classification Search** D15/10,
D15/22-26, 28, 30, 31; 180/89.11, 89.12,
180/89.13, 89.19, 900, 90, 315, 316, 326,
180/333, 334, 320, 336; 296/190.01, 190.08,
296/210, 190, 202, 190.03; D12/195

See application file for complete search history.

(56) **References Cited**

U.S. PATENT DOCUMENTS

4,126,202	A *	11/1978	Hern	180/89.12
4,278,144	A	7/1981	Perin	
4,344,356	A	8/1982	Casterton et al.	
4,471,848	A *	9/1984	Skytoen	180/90
4,480,867	A	11/1984	Ezell et al.	
4,492,151	A	1/1985	Mattei	
4,612,975	A	9/1986	Ikari	
4,616,725	A	10/1986	McDaniel	
4,771,855	A	9/1988	Takashima et al.	
4,846,529	A	7/1989	Tulley	
5,275,255	A	1/1994	Huntley et al.	
5,308,279	A	5/1994	Grinberg	
5,890,764	A	4/1999	Lee	
5,992,156	A	11/1999	Isobe et al.	
6,012,295	A	1/2000	Isobe et al.	
D420,685	S *	2/2000	Muranen	D15/30
6,022,182	A	2/2000	Everett	

6,039,141	A *	3/2000	Denny	180/329
6,186,573	B1	2/2001	Thurab	
6,189,964	B1 *	2/2001	Henshaw et al.	297/112

(Continued)

FOREIGN PATENT DOCUMENTS

GB 1022623 3/1966

OTHER PUBLICATIONS

PCT/US11/26646 International Search Report and Written Opinion dated Apr. 13, 2011 (13 pages).

(Continued)

Primary Examiner — Mark Goodwin

(74) *Attorney, Agent, or Firm* — Michael Best & Friedrich LLP

(57) **CLAIM**

I claim the ornamental design for a seat module, as shown and described.

DESCRIPTION

FIG. 1 is a perspective view of a seat module showing my new design.

FIG. 2 is a rear perspective view of the seat module shown in FIG. 1.

FIG. 3 is a bottom perspective view of the seat module shown in FIG. 1.

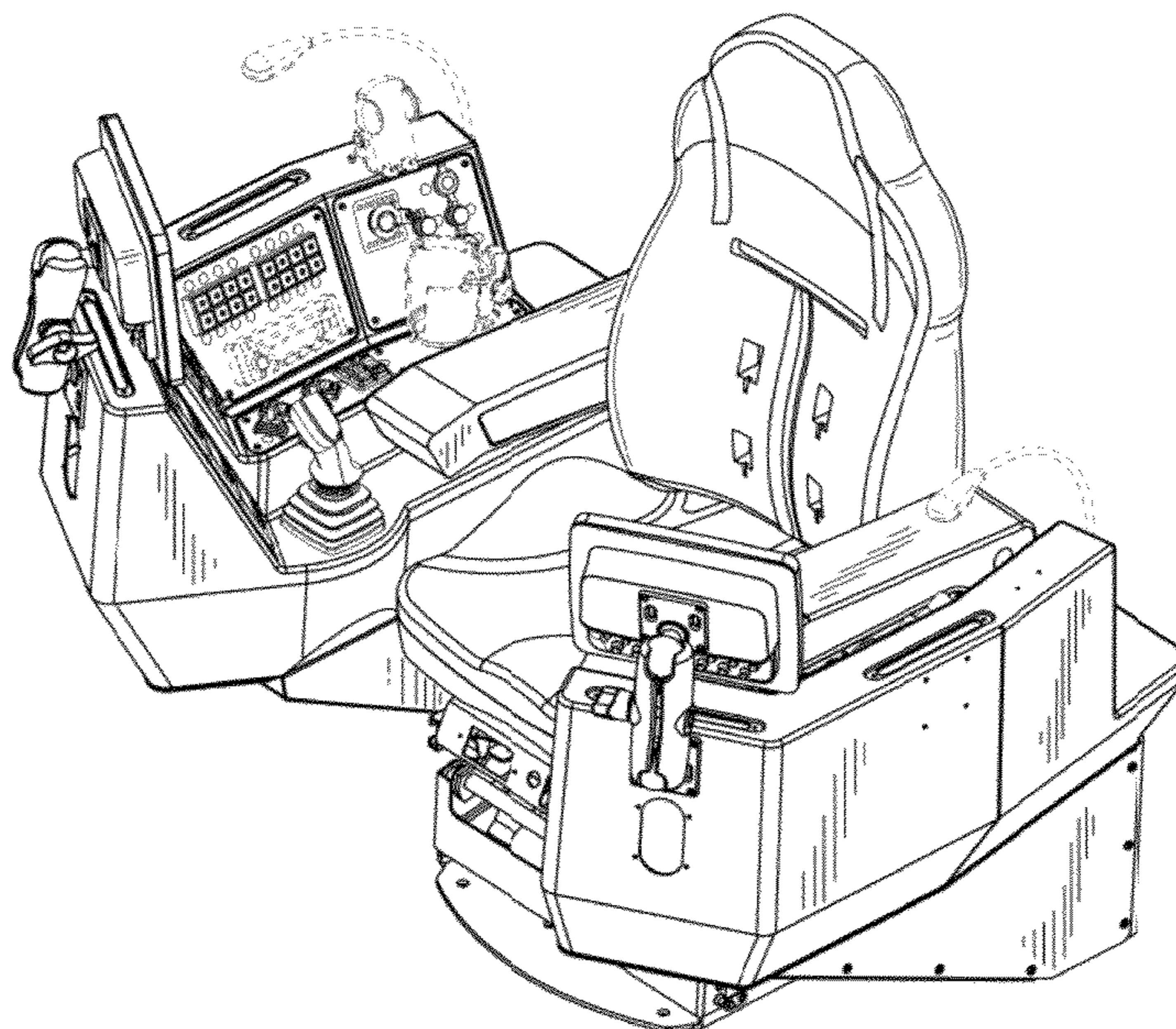
FIG. 4 is a front view of the seat module shown in FIG. 1.

FIG. 5 is a side view of the seat module shown in FIG. 1; and,

FIG. 6 is a top view of the seat module shown in FIG. 1.

The broken line showing of the surface elements is included for the purpose of illustrating portions of the seat module and forms no part of the claimed design.

1 Claim, 6 Drawing Sheets



US D664,998 S

Page 2

U.S. PATENT DOCUMENTS

6,196,308 B1 3/2001 Halligan
6,267,195 B1 * 7/2001 Takahasi et al. 180/316
6,543,848 B1 4/2003 Suga et al.
6,557,919 B2 5/2003 Suga et al.
6,572,172 B1 6/2003 Ninomiya et al.
6,578,854 B2 6/2003 Wucherpfennig et al.
6,634,453 B2 * 10/2003 Arthur et al. 180/315
6,675,508 B2 * 1/2004 Tamaru et al. 37/348
6,684,969 B1 2/2004 Flowers et al.
6,752,468 B2 * 6/2004 Eliasson 298/22 C
6,755,270 B2 6/2004 Saarinen
6,942,282 B1 * 9/2005 Jacobs et al. 296/190.08
6,955,239 B2 10/2005 Ueda et al.
6,981,746 B2 1/2006 Chung et al.
7,036,883 B1 5/2006 Thompson et al.
7,059,680 B2 6/2006 Billger et al.
7,069,736 B2 7/2006 Kamimae et al.
7,083,019 B2 8/2006 Chiou et al.
7,159,687 B2 1/2007 Dunn et al.
D546,841 S * 7/2007 McCarren et al. D15/28
7,294,181 B1 11/2007 Smith
7,347,299 B2 3/2008 Billger et al.

7,434,863 B2 10/2008 Hamazaki et al.
7,520,567 B2 4/2009 Billger et al.
7,575,276 B1 8/2009 Henry
7,681,630 B2 3/2010 Klassen et al.
7,854,291 B2 * 12/2010 Akahane et al. 180/333
7,857,090 B2 * 12/2010 Ruhter et al. 180/333
7,913,798 B2 * 3/2011 Frett et al. 180/333
8,091,678 B2 * 1/2012 Rowan et al. 180/320
8,104,566 B2 * 1/2012 Harber et al. 180/315
2003/0070900 A1 4/2003 Elwell
2006/0061122 A1 3/2006 Billger et al.
2006/0144634 A1 7/2006 Portscheller et al.
2009/0276122 A1 11/2009 Demong et al.
2010/0300796 A1 12/2010 Ryan et al.

OTHER PUBLICATIONS

Peterson et al., U.S. Appl. No. 13/037,878, filed Mar. 1, 2011.
Krellner et al., U.S. Appl. No. 13/369,622, filed Feb. 9, 2012.
Buchsbaum, "Foresight Energy Invests in Illinois: The Cline Group constructs four underground coal mining complexes," Coal Age, Dec. 2010.

* cited by examiner

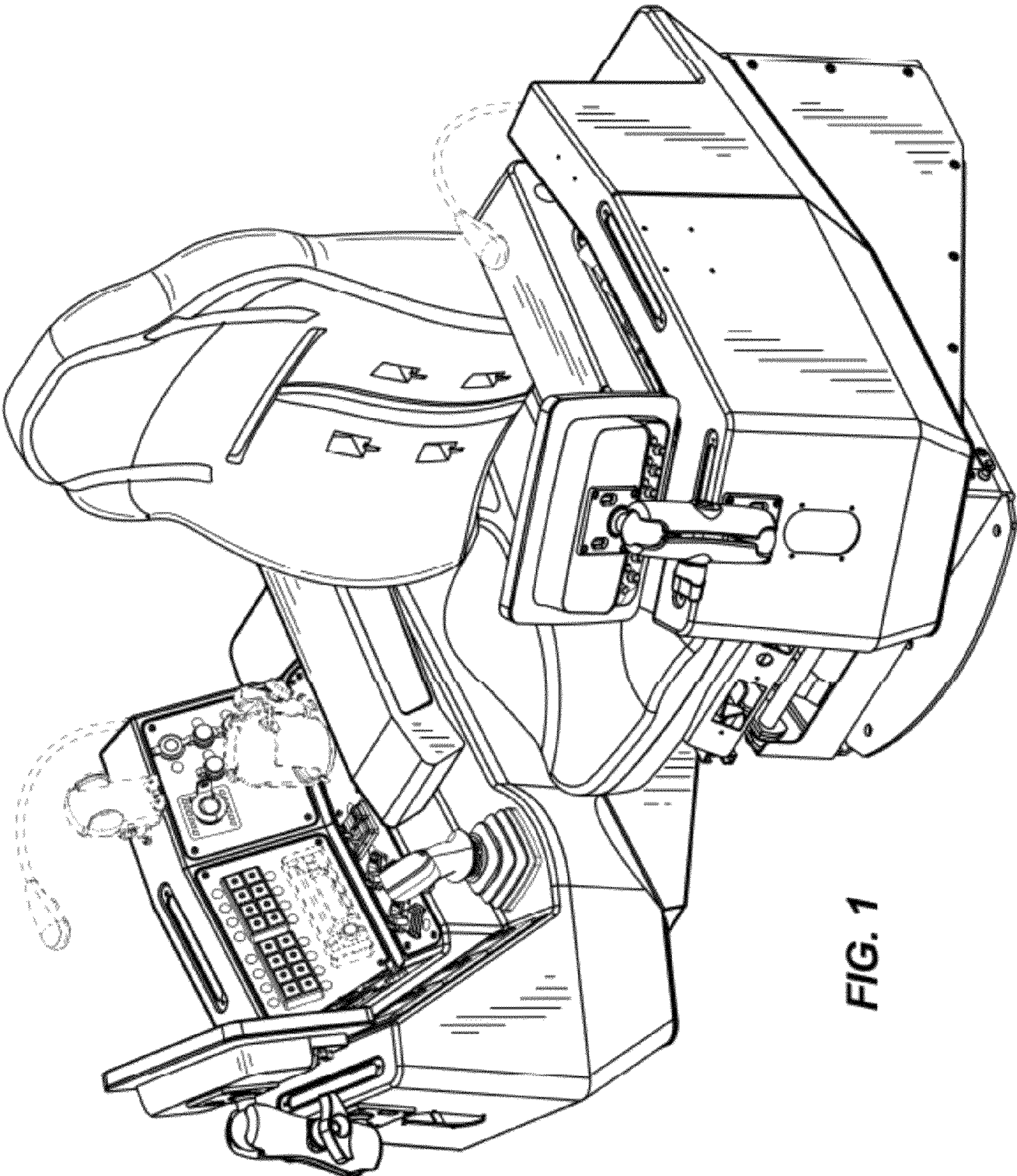


FIG. 1

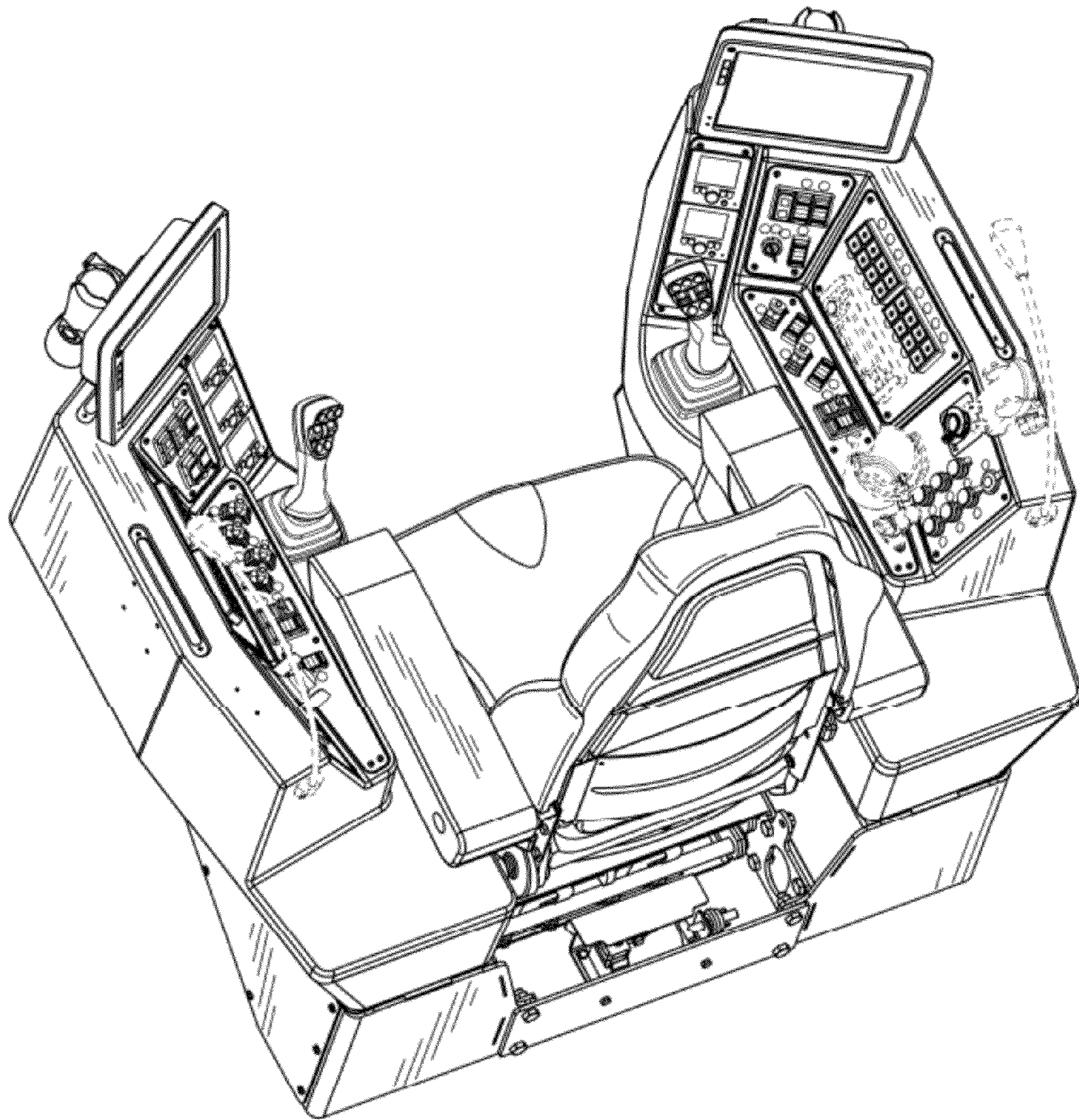


FIG. 2

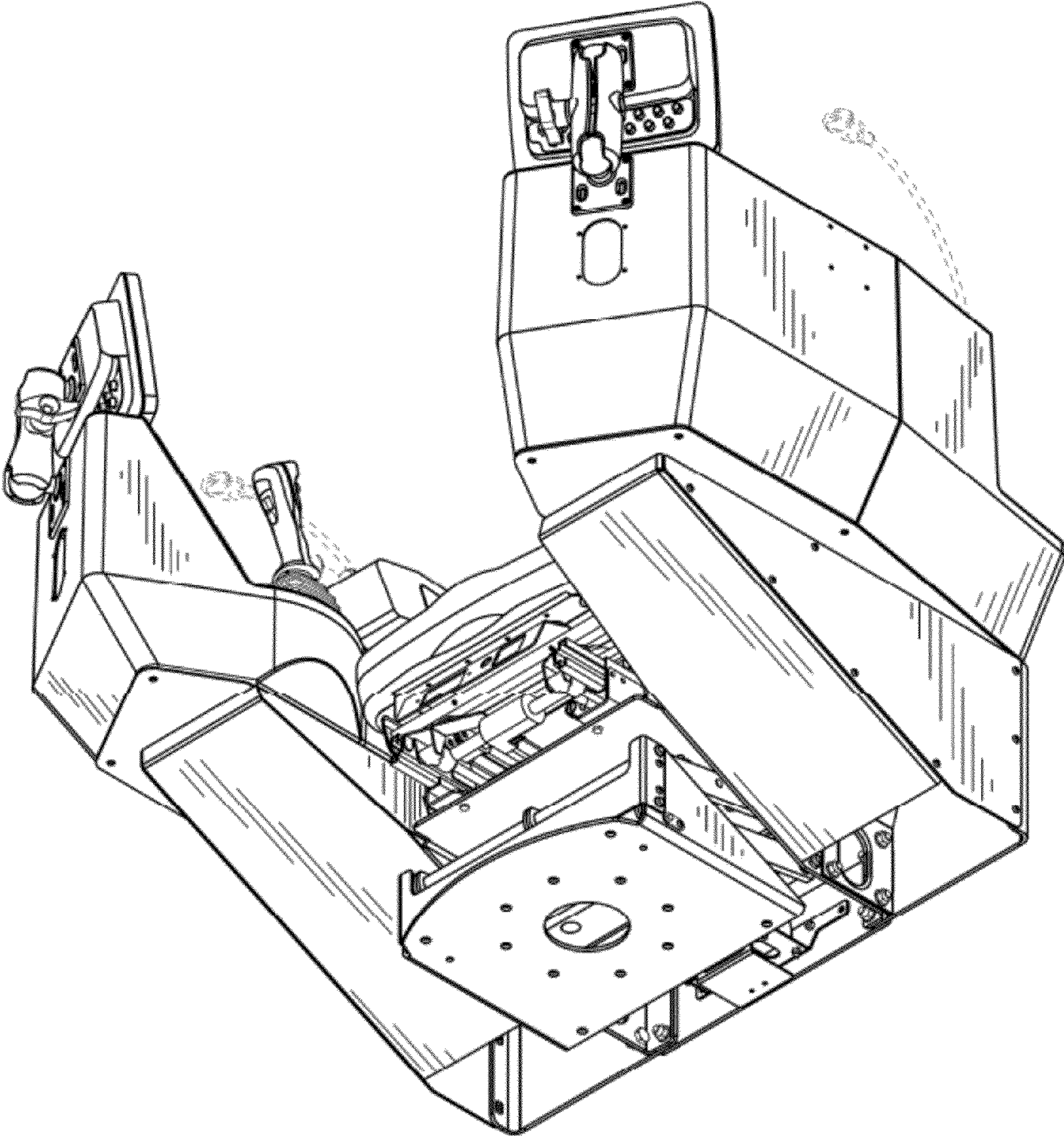


FIG. 3

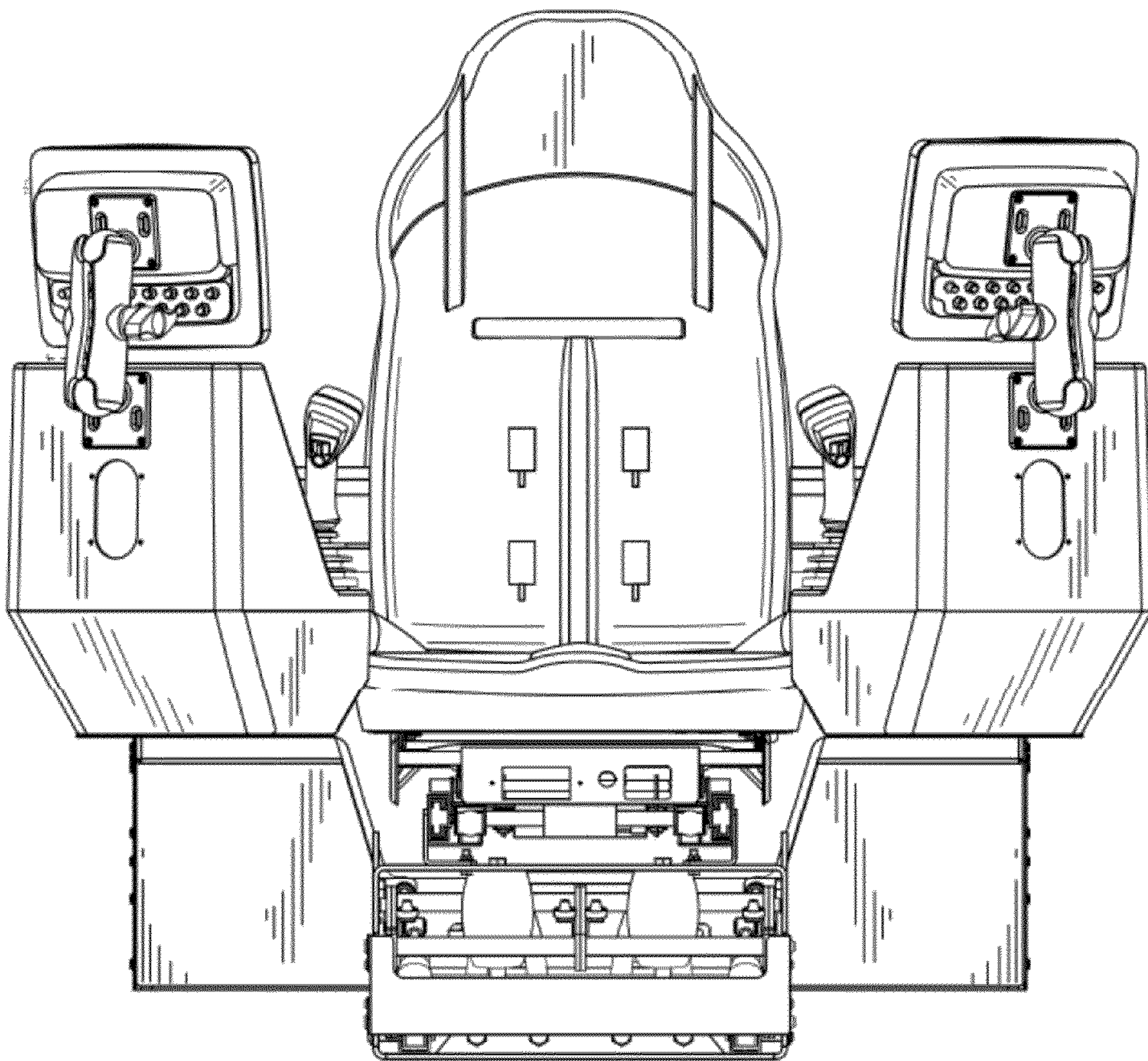


FIG. 4

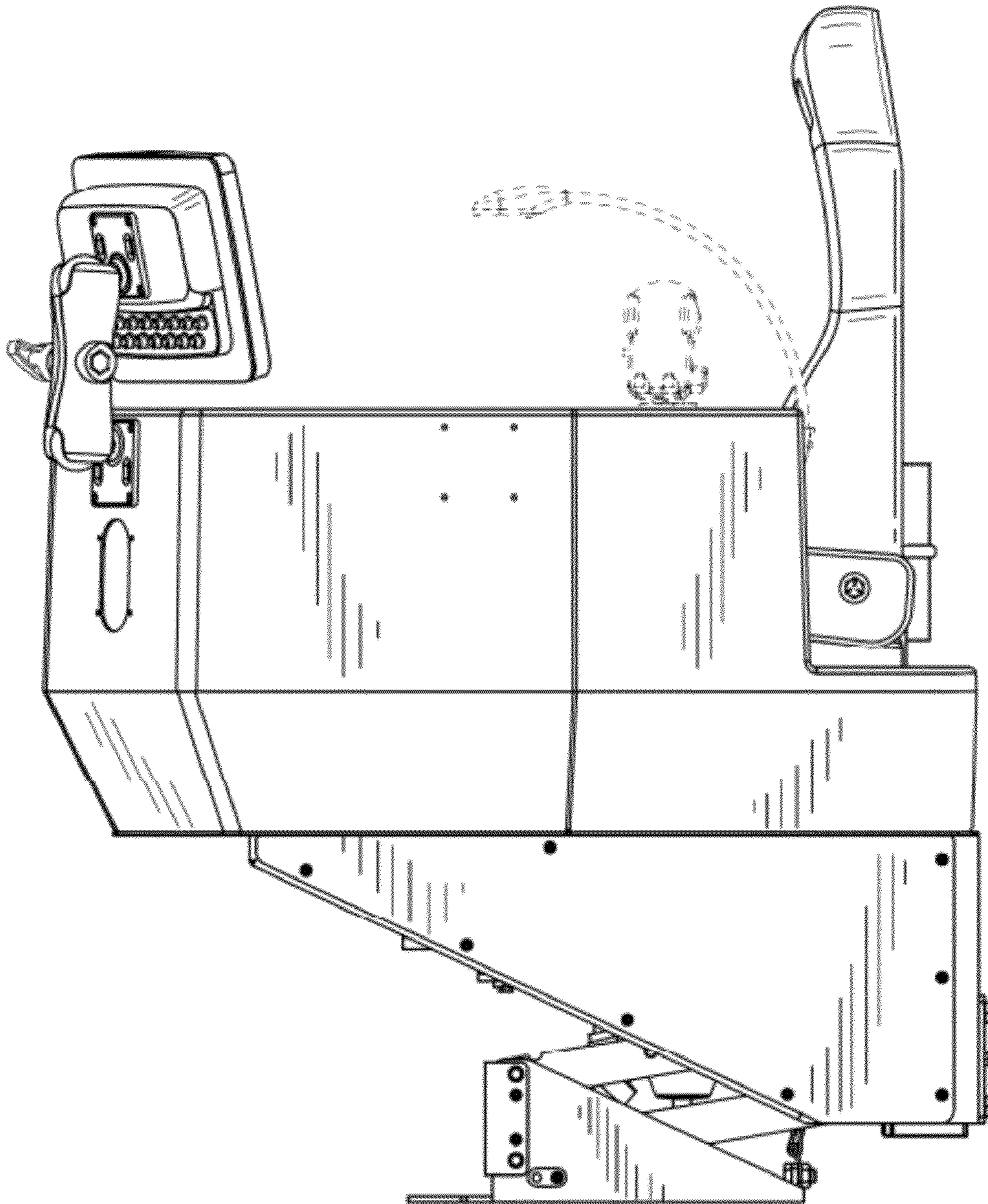


FIG. 5

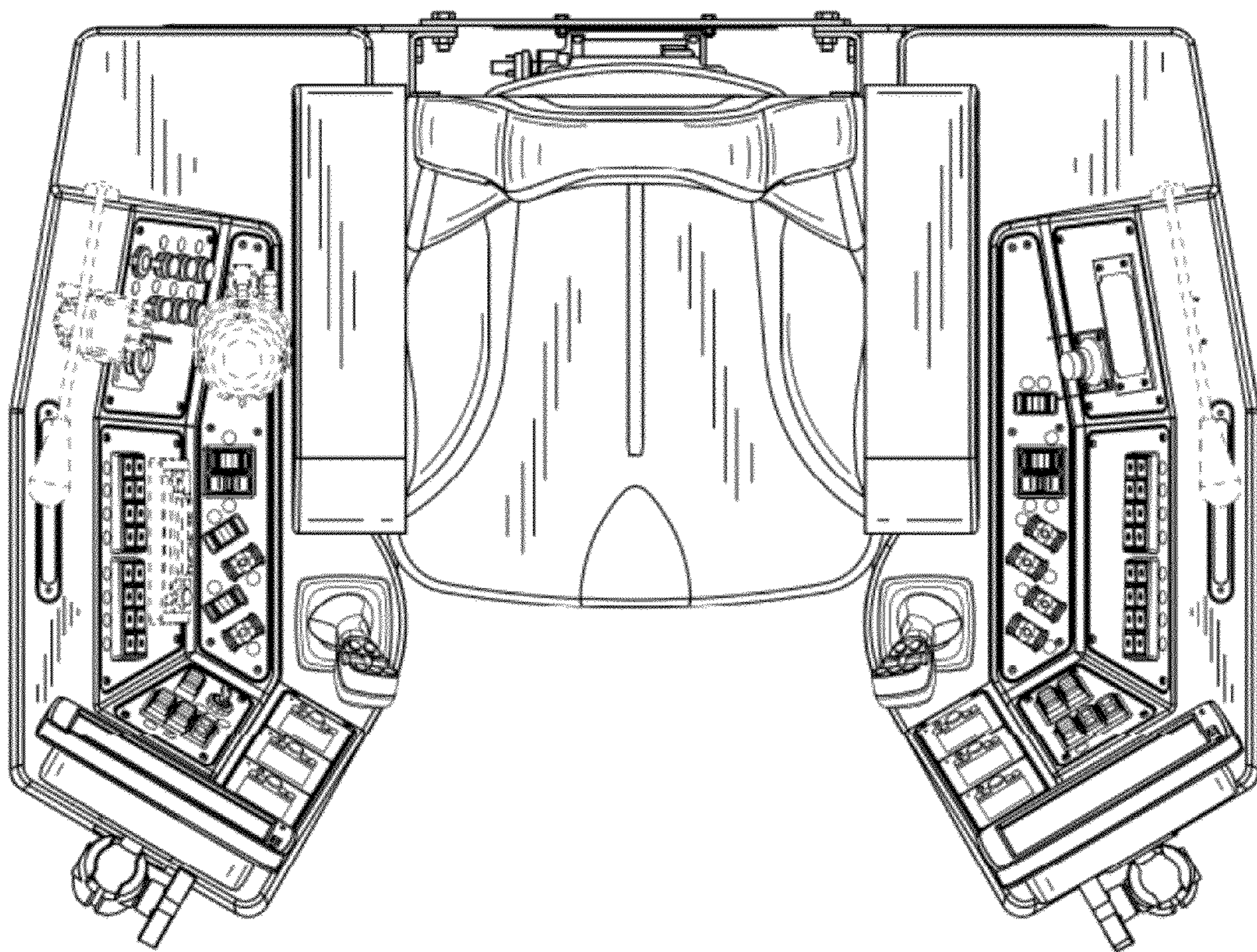


FIG. 6