



US00D664996S

(12) **United States Design Patent**
Hsiao

(10) **Patent No.:** **US D664,996 S**

(45) **Date of Patent:** **** Aug. 7, 2012**

(54) **AIR COMPRESSOR**

(75) Inventor: **Chung-Hsin Hsiao**, Yunlin (TW)

(73) Assignee: **Fusin Industrial Co., Ltd.**, Yunlin (TW)

(**) Term: **14 Years**

(21) Appl. No.: **29/411,470**

(22) Filed: **Jan. 20, 2012**

(51) **LOC (9) Cl.** **15-02**

(52) **U.S. Cl.** **D15/9**

(58) **Field of Classification Search** D15/7-9;
D23/231, 232, 225; 417/60, 235, 265, 321,
417/355, 358, 363, 359, 410.1, 415-416,
417/405, 900; 60/408, 412; 184/26-37;
415/140-147; 123/495, 509

See application file for complete search history.

(56) **References Cited**

U.S. PATENT DOCUMENTS

D454,357 S * 3/2002 Diels D15/7
D461,196 S * 8/2002 Buck D15/9
D482,371 S * 11/2003 Buck D15/9

D499,747 S * 12/2004 Buck D15/9
D539,310 S * 3/2007 Matsuoka et al. D15/9
D541,303 S * 4/2007 Drew et al. D15/5
D604,746 S * 11/2009 Nishido et al. D15/7

* cited by examiner

Primary Examiner — Ralf Seifert

(74) *Attorney, Agent, or Firm* — Che-Yang Chen; Law Office of Michael Chen

(57) **CLAIM**

The ornamental design for an air compressor, as shown and described.

DESCRIPTION

FIG. 1 is a perspective view of an air compressor showing my new design;

FIG. 2 is a front elevational view thereof;

FIG. 3 is a rear elevational view thereof;

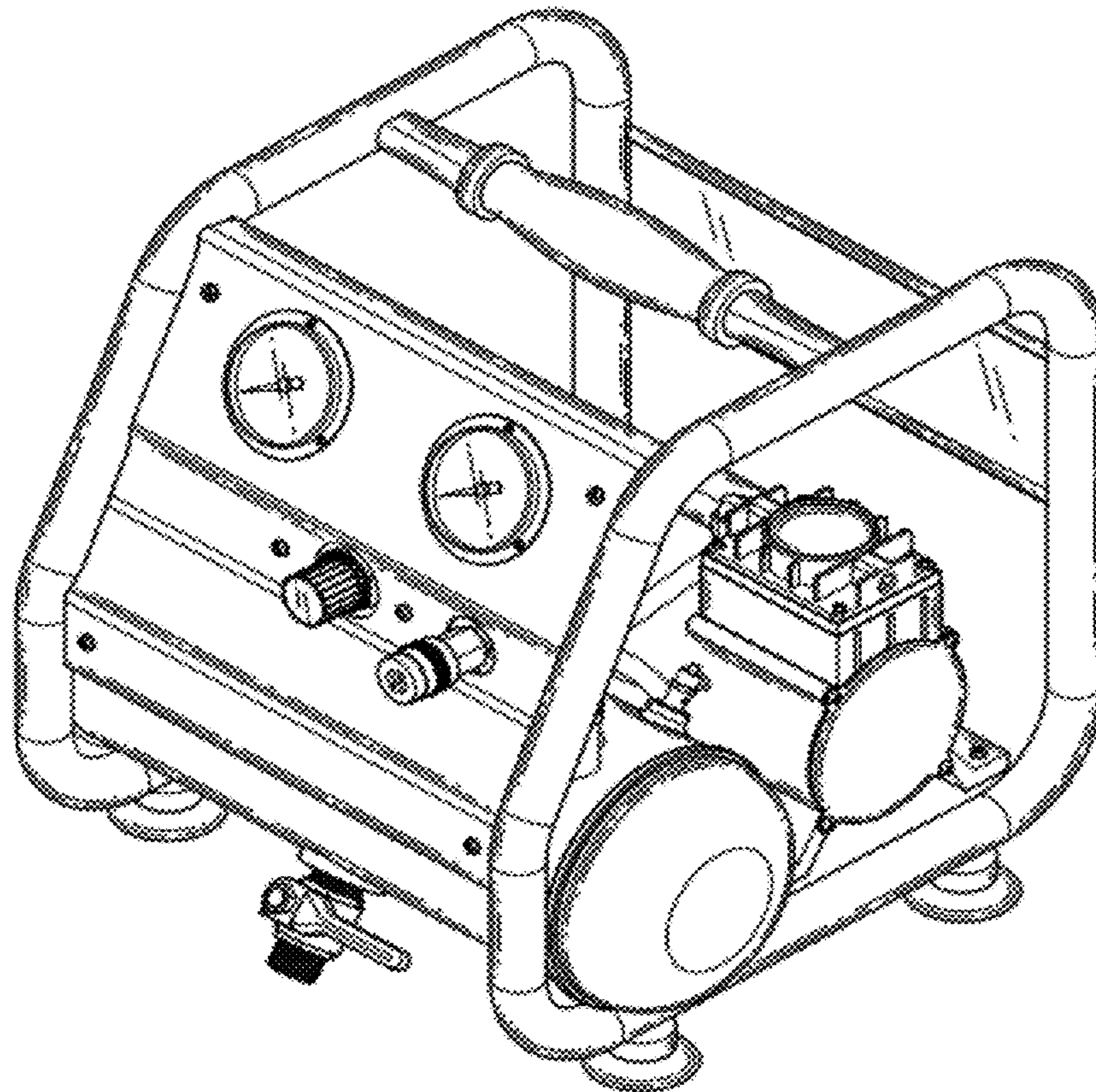
FIG. 4 is a left side elevational view thereof;

FIG. 5 is a right side elevational view thereof;

FIG. 6 is a top plan view thereof; and,

FIG. 7 is a bottom plan view thereof.

1 Claim, 4 Drawing Sheets



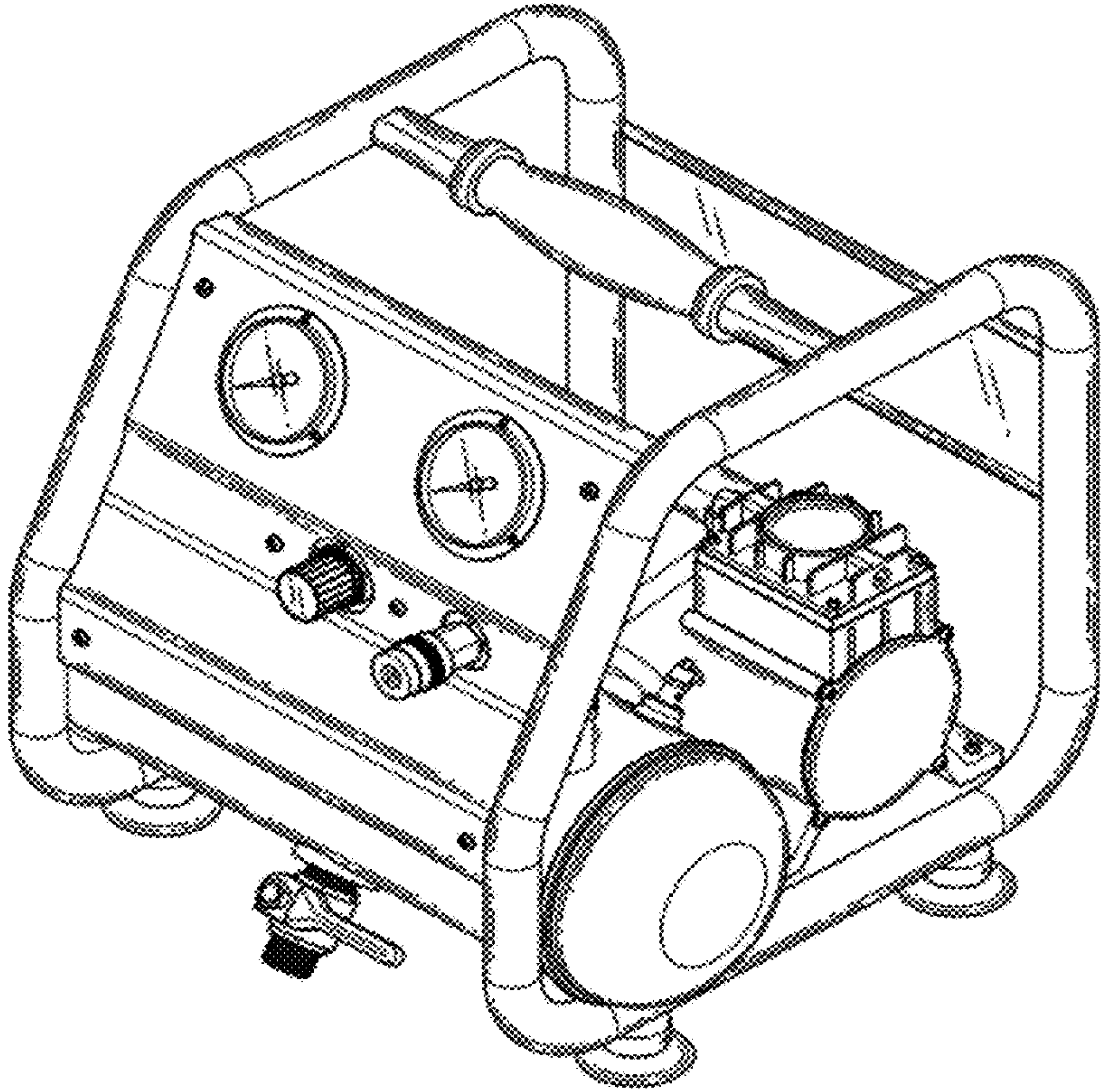


FIG. 1

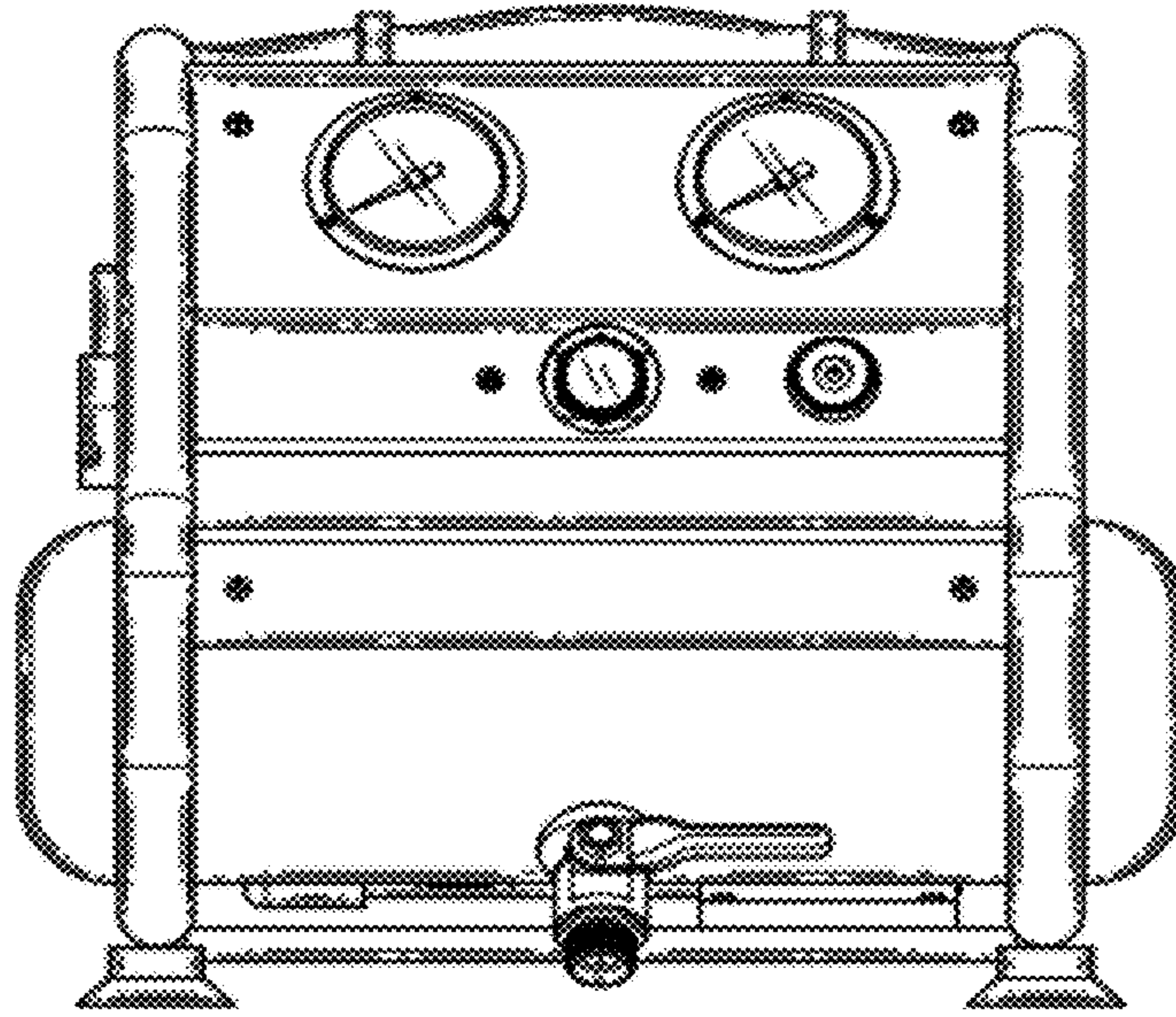


FIG. 2

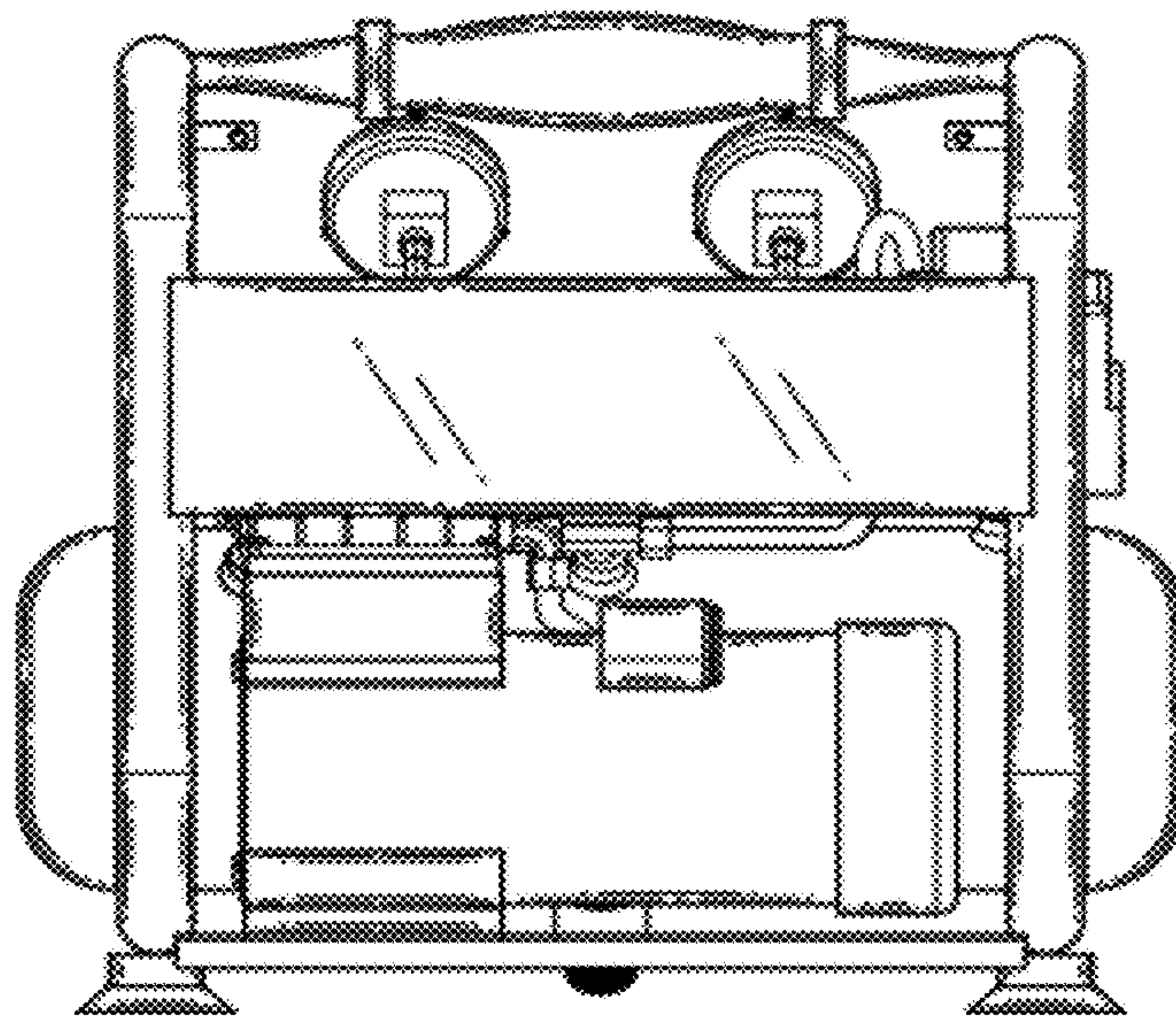


FIG. 3

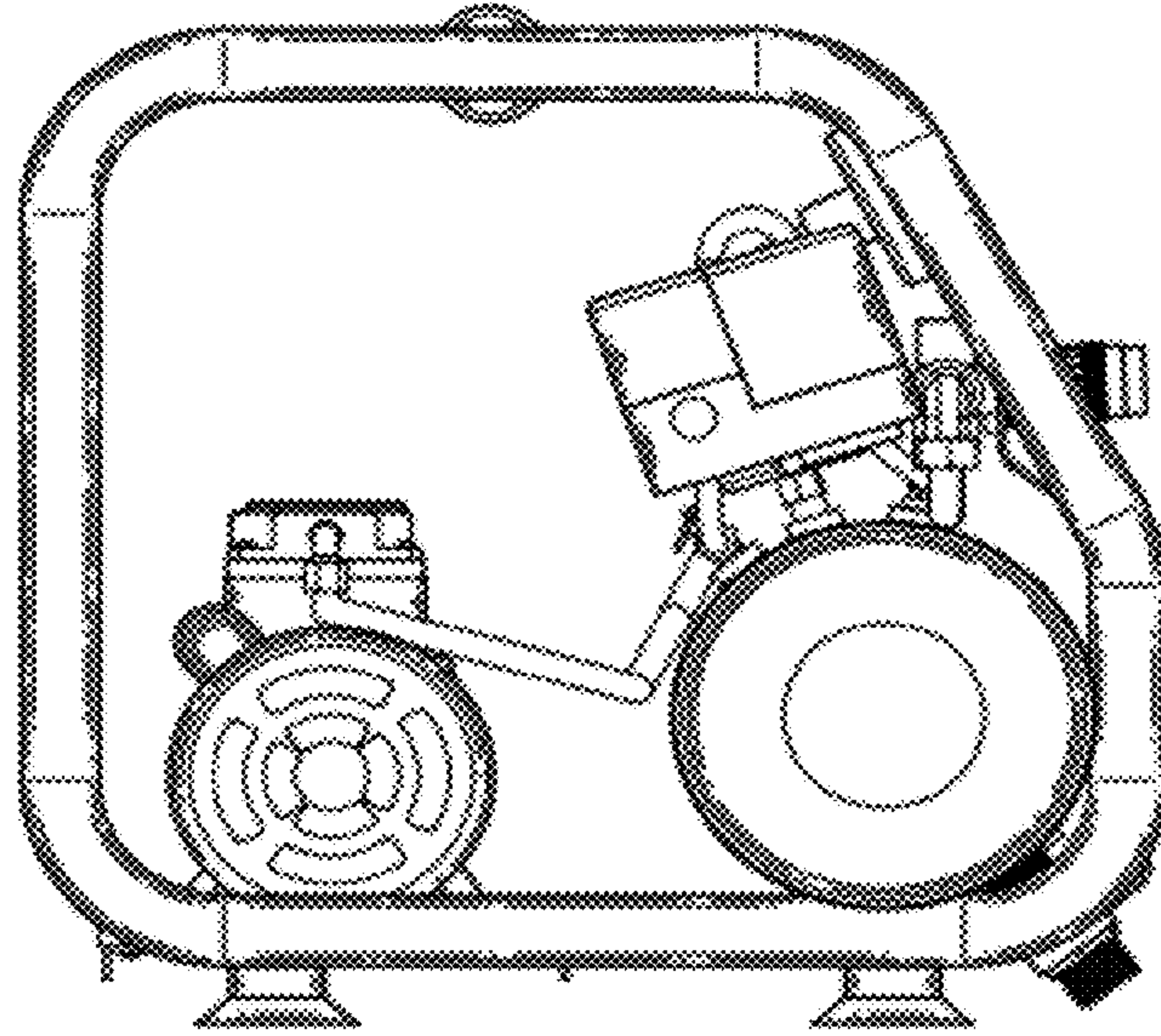


FIG. 4

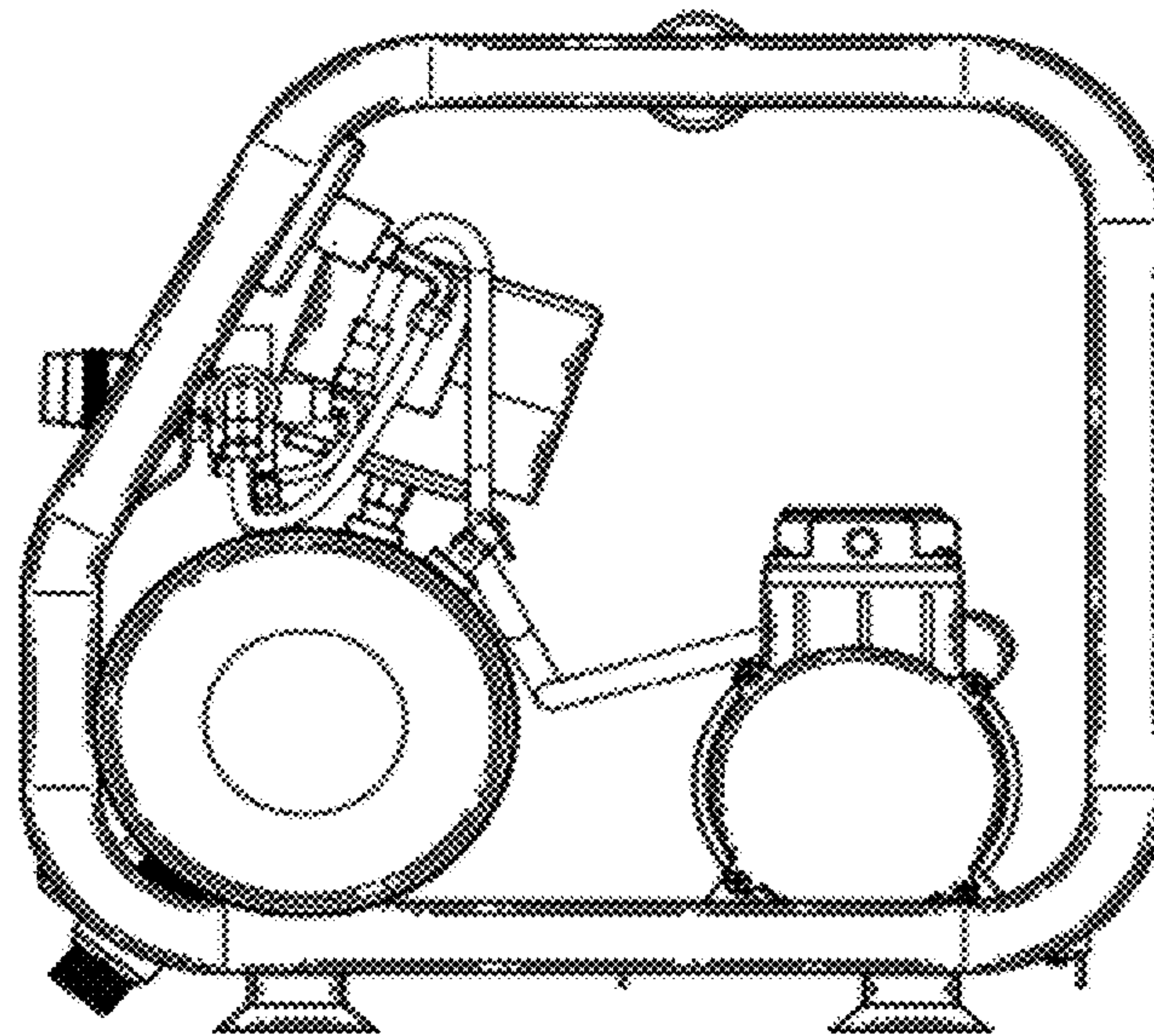


FIG. 5

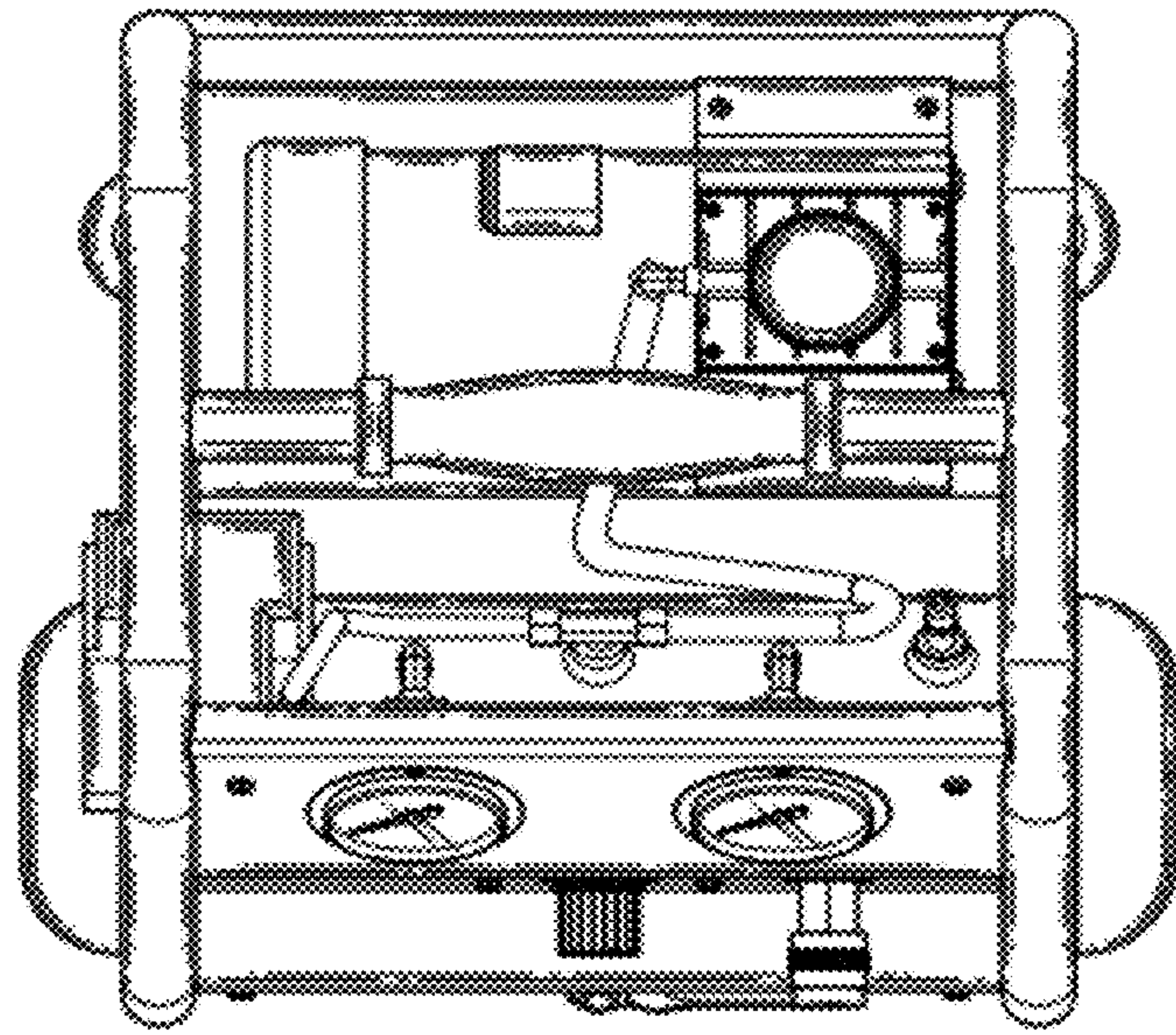


FIG. 6

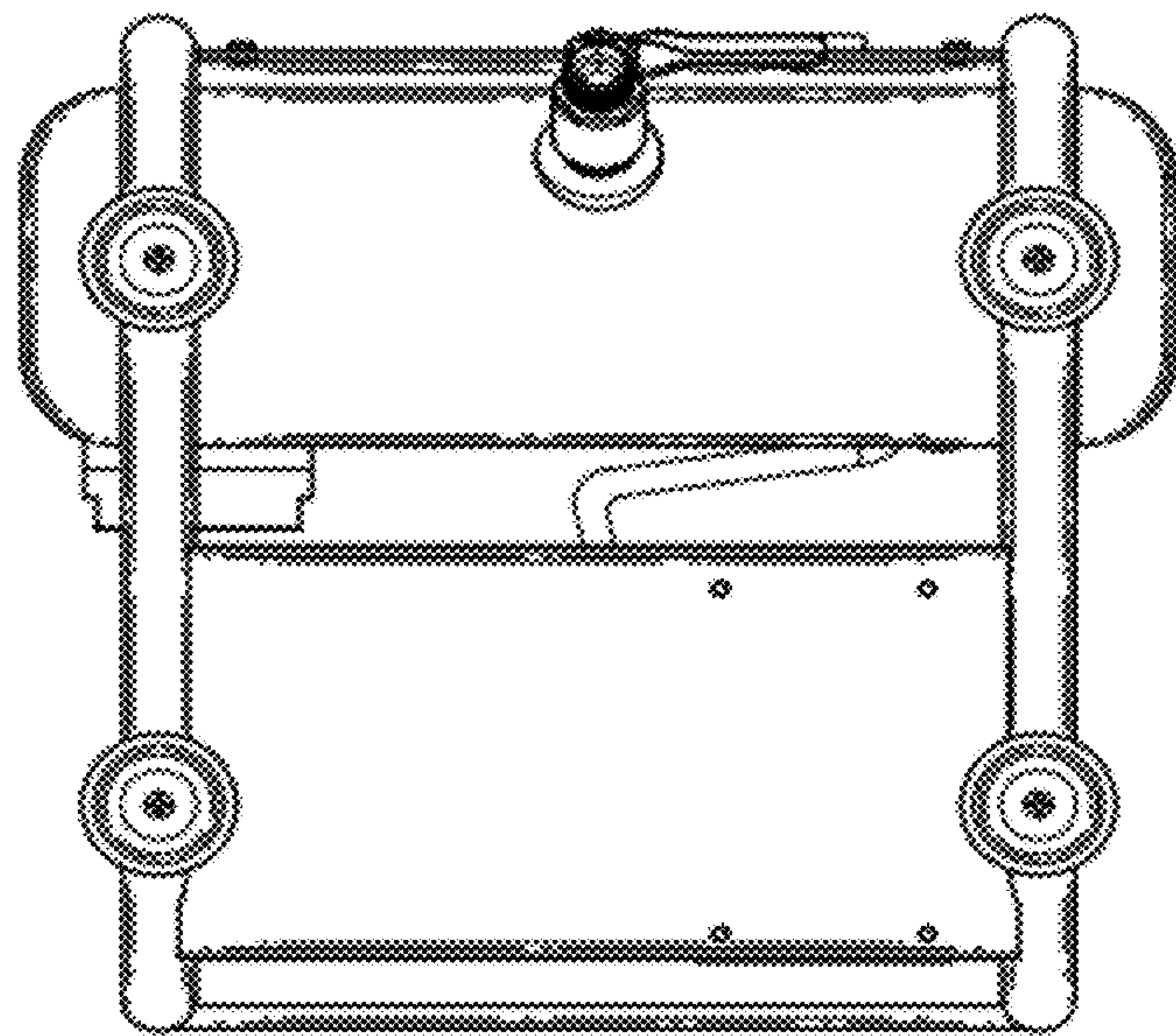


FIG. 7