

US00D664994S

(12) **United States Design Patent**
Akana et al.

(10) **Patent No.:** **US D664,994 S**
(45) **Date of Patent:** **** Aug. 7, 2012**

(54) **HOUSING FOR AN ELECTRONIC DEVICE**

455/344-347, 93, 95, 3.01-3.06, 550.1, 573.1;
370/342-344; 369/1, 2, 6-12; 463/43-47;
273/148 B

(75) Inventors: **Jody Akana**, San Francisco, CA (US);
Bartley K. Andre, Menlo Park, CA
(US); **Jeremy Bataillou**, San Francisco,
CA (US); **Daniel J. Coster**, San
Francisco, CA (US); **Daniele De Iuliis**,
San Francisco, CA (US); **Evans**
Hankey, San Francisco, CA (US);
Richard P. Howarth, San Francisco, CA
(US); **Jonathan P. Ive**, San Francisco,
CA (US); **Duncan Robert Kerr**, San
Francisco, CA (US); **Stephen Brian**
Lynch, Portola Valley, CA (US); **Shin**
Nishibori, Kailua, HI (US); **Matthew**
Dean Rohrbach, San Francisco, CA
(US); **Peter Russell-Clarke**, San
Francisco, CA (US); **Emery Artemus**
Sanford, San Francisco, CA (US);
Christopher J. Stringer, Woodside, CA
(US); **Eugene Antony Whang**, San
Francisco, CA (US); **Rico**
Zorkendorfer, San Francisco, CA (US)

See application file for complete search history.

(56) **References Cited**

U.S. PATENT DOCUMENTS

4,359,220 A	11/1982	Morrison et al.	
D303,137 S	8/1989	Brown	
D306,519 S	3/1990	Nakata	
5,128,829 A *	7/1992	Loew	361/679.3
D339,806 S	9/1993	Grinkus	
D344,511 S	2/1994	Ansai et al.	
D345,304 S	3/1994	Leader	
6,122,526 A	9/2000	Parulski et al.	
D432,523 S	10/2000	Grinkus et al.	
D441,735 S	5/2001	Katayama	
D446,499 S	8/2001	Andre et al.	

(Continued)

Primary Examiner — Prabhakar Deshmukh
(74) *Attorney, Agent, or Firm* — Sterne, Kessler, Goldstein
& Fox PLLC

(73) Assignee: **Apple Inc.**, Cupertino, CA (US)

(**) Term: **14 Years**

(21) Appl. No.: **29/411,551**

(22) Filed: **Jan. 23, 2012**

Related U.S. Application Data

(63) Continuation of application No. 29/368,830, filed on
Aug. 30, 2010, now Pat. No. Des. 653,675, which is a
continuation of application No. 29/367,996, filed on
Aug. 16, 2010, now Pat. No. Des. 638,030.

(51) **LOC (9) Cl.** **14-03**

(52) **U.S. Cl.** **D14/496; D14/203.3**

(58) **Field of Classification Search** D14/496,
D14/401, 435, 474, 483, 217, 137, 138, 160,
D14/168, 356, 203.1-203.8, 507; 345/156,
345/169, 173-179, 905; 715/727-729, 864;
710/1, 5, 8; 713/1, 600; 455/1.1, 1.7, 73,

(57) **CLAIM**

The ornamental design for a housing for an electronic device,
as shown and described.

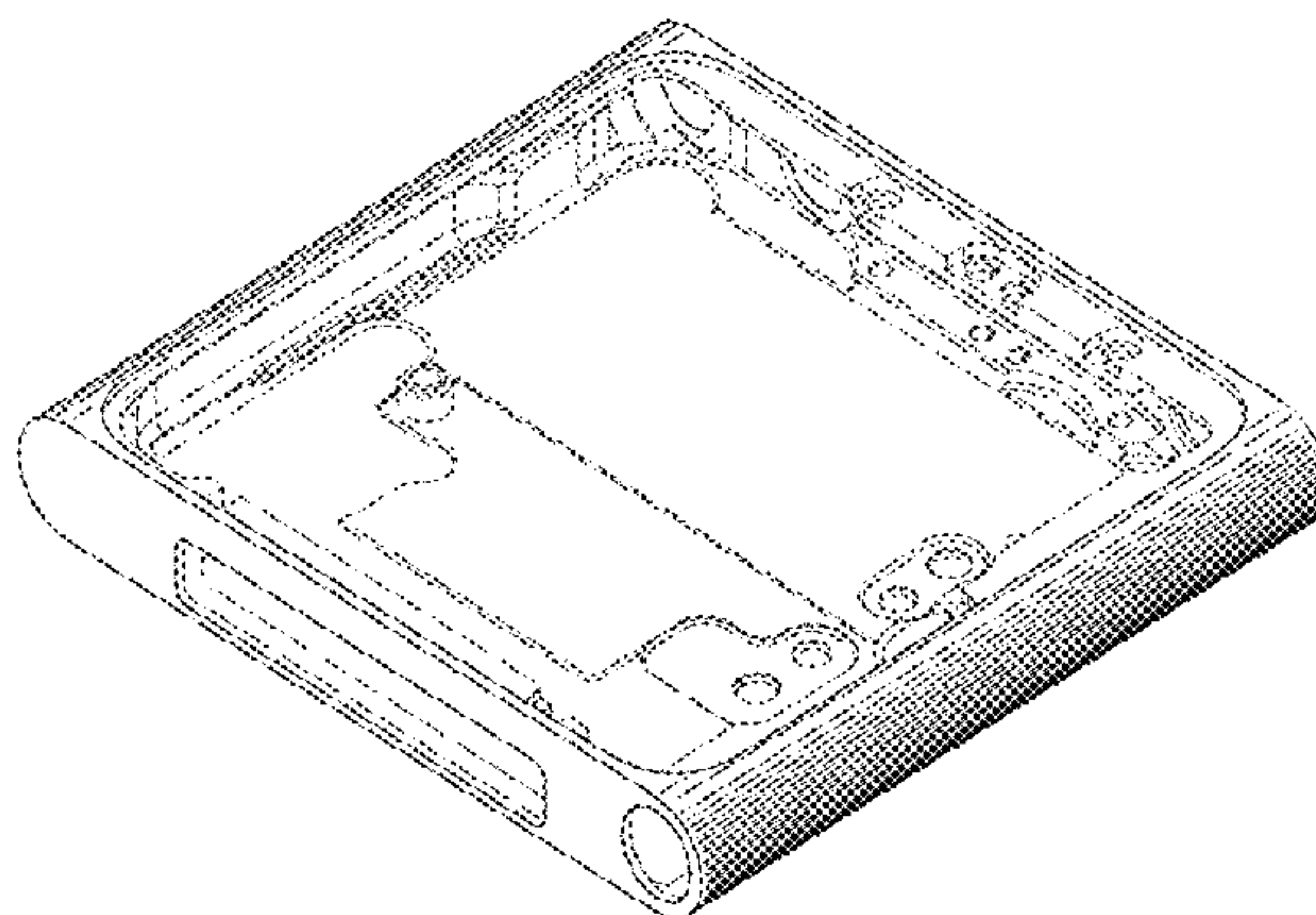
DESCRIPTION

FIG. 1 is a front bottom perspective view of a housing for an
electronic device showing our new design;
FIG. 2 is a front view thereof;
FIG. 3 is a rear view thereof;
FIG. 4 is a bottom view thereof;
FIG. 5 is a top view thereof;
FIG. 6 is a side view thereof; and,
FIG. 7 is a another side view thereof.

The broken lines in the Figures show portions of the housing
for an electronic device which form no part of the claimed
design.

The shade lines in the Figures show contour and not surface
ornamentation.

1 Claim, 5 Drawing Sheets



US D664,994 S

Page 2

U.S. PATENT DOCUMENTS

6,354,477	B1 *	3/2002	Trummer	224/575				
D473,207	S	4/2003	Tanio						
6,567,011	B1 *	5/2003	Young et al.	340/12.28				
6,595,860	B1 *	7/2003	Yamamoto et al.	463/43				
D478,076	S *	8/2003	Hong	D14/345				
D490,796	S	6/2004	Allen						
D503,409	S	3/2005	Wong et al.						
D506,476	S	6/2005	Andre et al.						
D515,545	S	2/2006	Griffin						
D516,579	S	3/2006	Nakamura						
7,013,164	B2	3/2006	Lin						
D520,502	S	5/2006	Xu et al.						
D534,184	S	12/2006	Leija et al.						
D534,545	S	1/2007	Leija et al.						
D539,814	S	4/2007	Andre et al.						
D551,680	S	9/2007	Andre et al.						
D555,171	S *	11/2007	Dai	D14/496				
D559,860	S	1/2008	Andre et al.						
D559,861	S	1/2008	Andre et al.						
D560,228	S	1/2008	Andre et al.						
D563,434	S *	3/2008	Dai	D14/496				
D568,310	S	5/2008	Franck et al.						
D568,338	S	5/2008	Andre et al.						
D569,389	S	5/2008	Andre et al.						
D570,876	S	6/2008	Lee						
D574,014	S	7/2008	Dai						
D575,304	S	8/2008	Andre et al.						
D577,990	S	10/2008	Andre et al.						
D579,952	S	11/2008	Yamada						
D580,953	S	11/2008	Andre et al.						
D585,077	S	1/2009	Sheba et al.						
D586,740	S	2/2009	Song						
D586,741	S	2/2009	Song						
D588,545	S	3/2009	Andre et al.						
D589,530	S	3/2009	Andre et al.						
D590,826	S *	4/2009	Andre et al.	D14/341				
D591,766	S	5/2009	Andre et al.						
D592,677	S	5/2009	Sheba et al.						
D593,994	S	6/2009	Andre et al.						
D597,090	S	7/2009	Bemelmans						
D597,558	S	8/2009	Andre et al.						
D601,172	S	9/2009	Andre et al.						
D606,040	S	12/2009	Andre et al.						
D608,342	S	1/2010	Andre et al.						
D616,899	S	6/2010	Andre et al.						
D618,206	S	6/2010	Andre et al.						
D618,207	S	6/2010	Andre et al.						
D627,367	S	11/2010	Andre et al.						
D629,789	S	12/2010	Andre et al.						
D638,854	S	5/2011	Andre et al.						
D643,402	S	8/2011	Andre et al.						
2005/0049015	A1	3/2005	Wang						

* cited by examiner

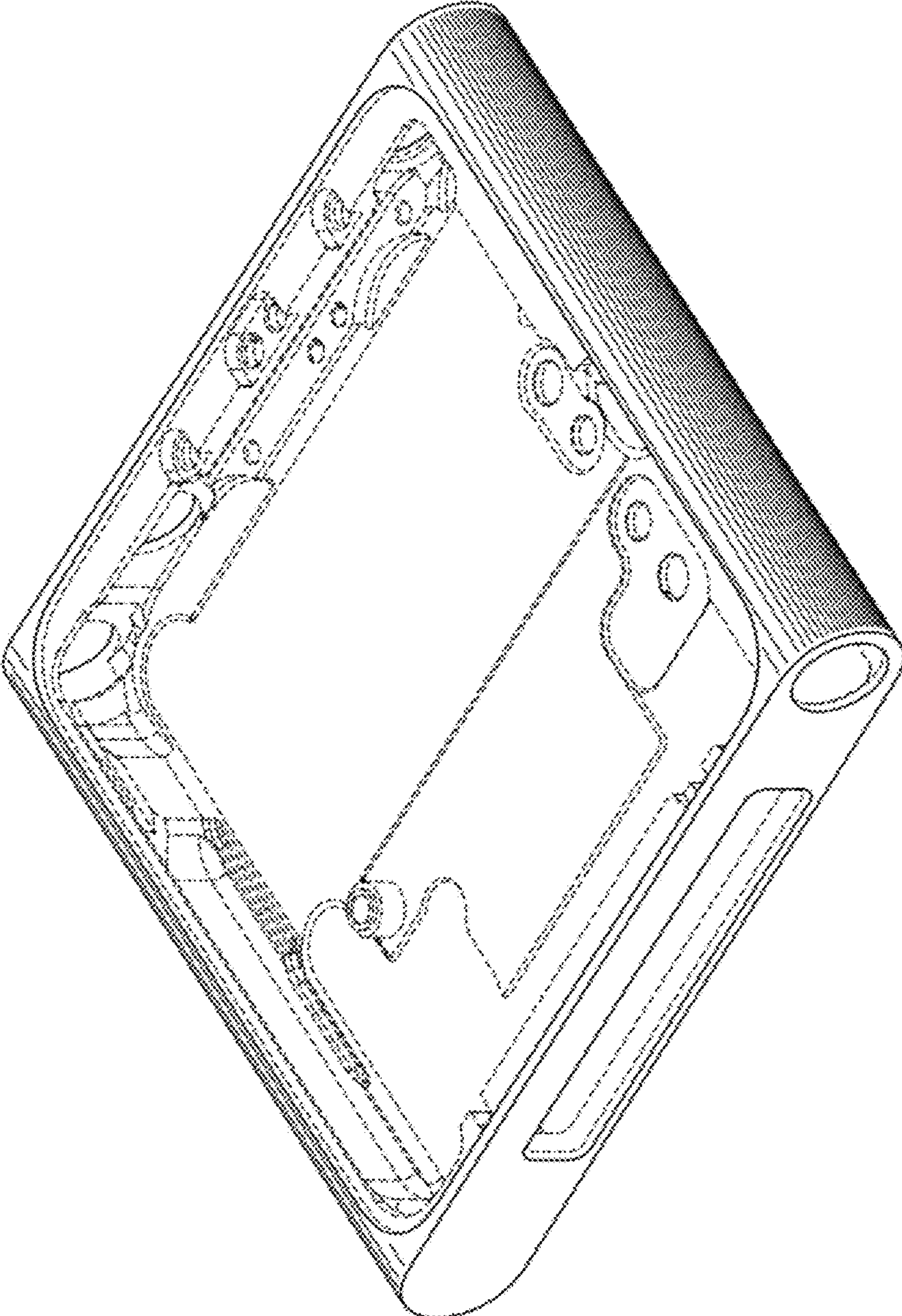


FIG. 1

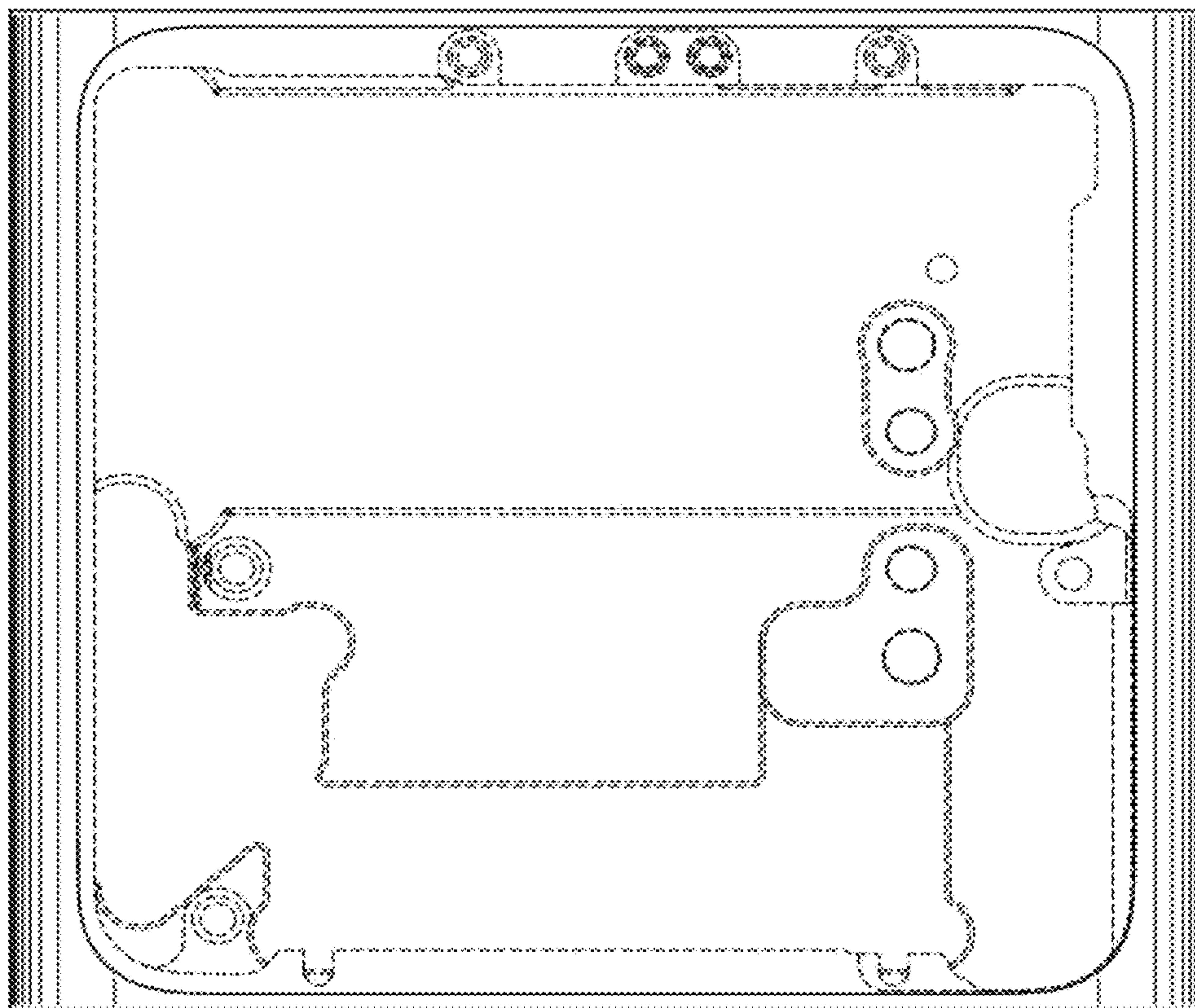


FIG. 2

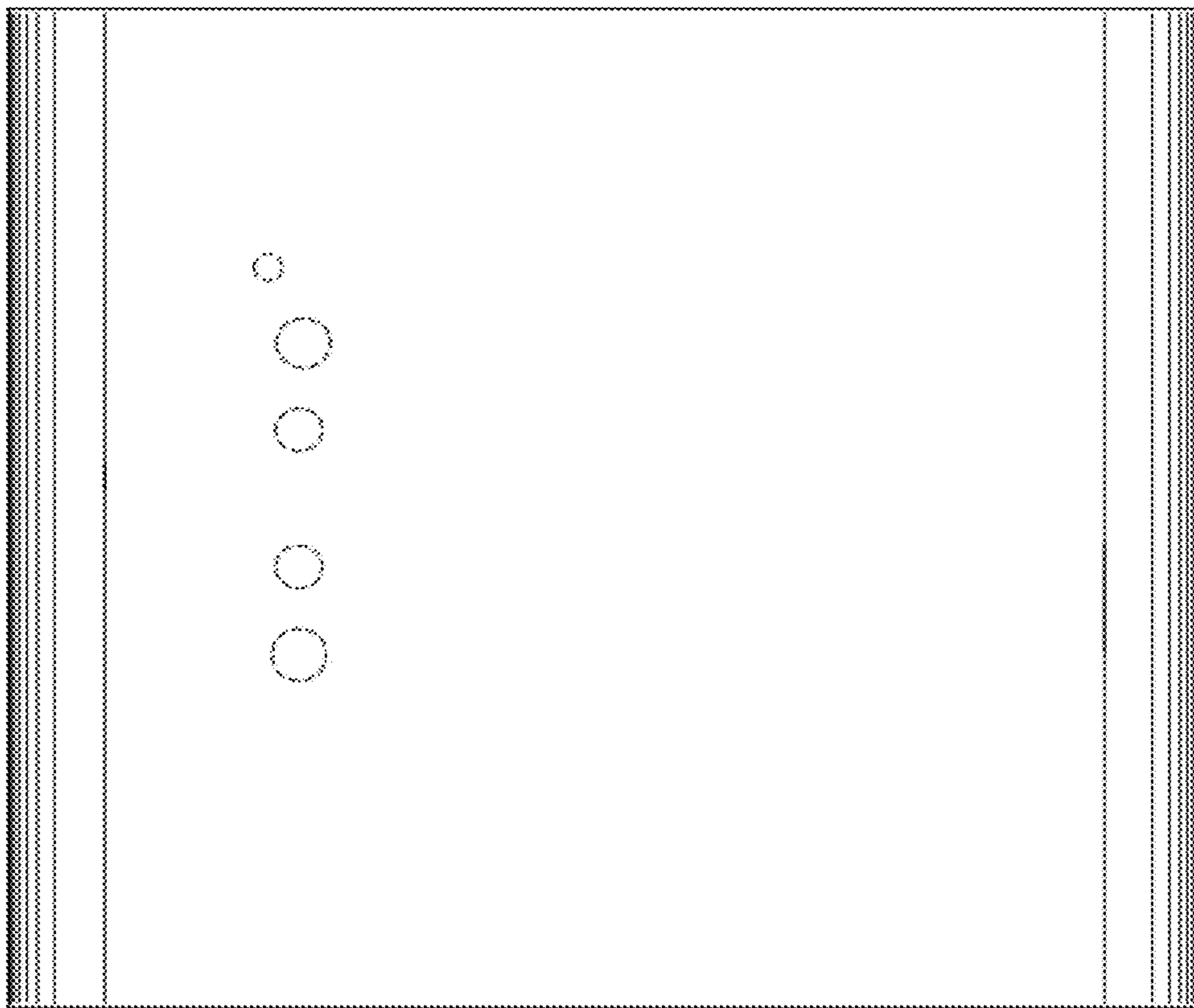


FIG. 3

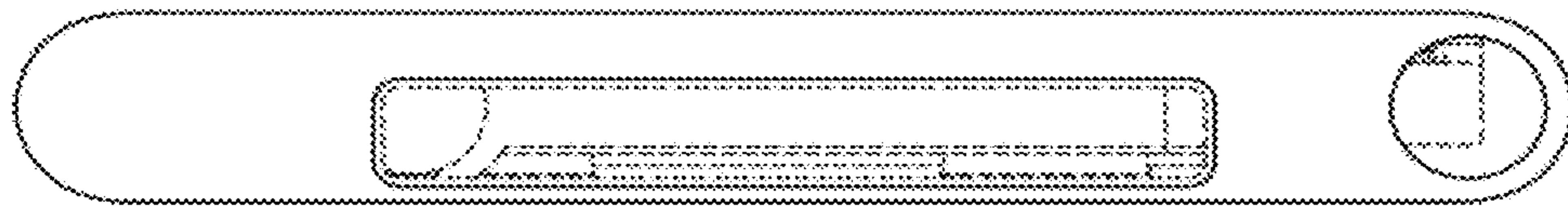


FIG. 4



FIG. 5

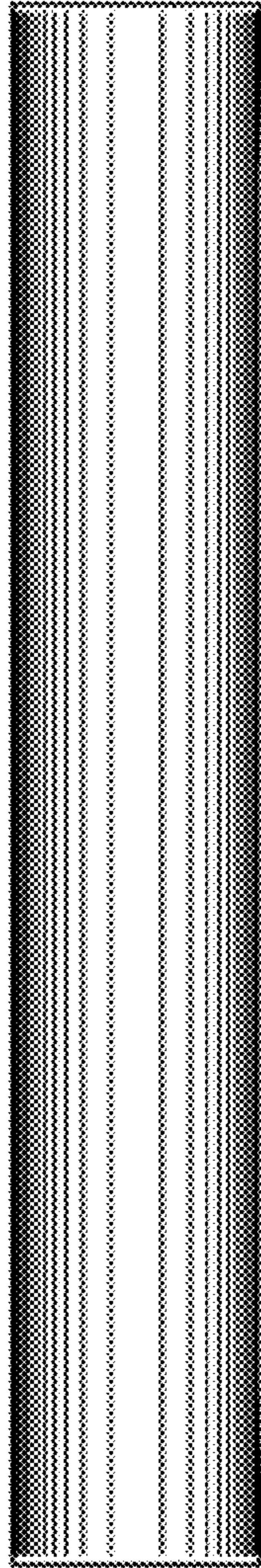


FIG. 6

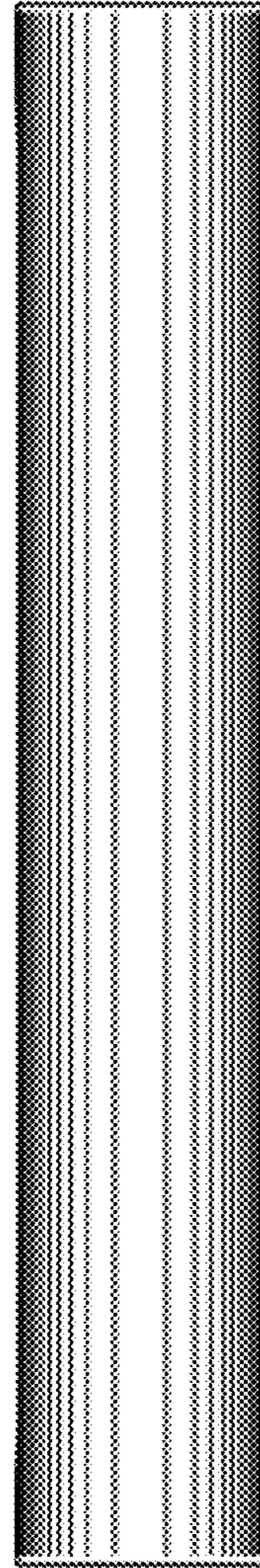


FIG. 7