

US00D664970S

(12) **United States Design Patent**
Ray et al.

(10) **Patent No.:** **US D664,970 S**
(45) **Date of Patent:** **** *Aug. 7, 2012**

(54) **DISPLAY SCREEN WITH USER INTERFACE**

(75) Inventors: **Ethan Nelson Ray**, Lynnwood, WA (US); **Leslie MacNeil**, Kirkland, WA (US); **Jonathan Eric Gleasman**, Seattle, WA (US); **Denise Michele Trabona**, Seattle, WA (US)

(73) Assignee: **Microsoft Corporation**, Redmond, WA (US)

(*) Notice: This patent is subject to a terminal disclaimer.

(**) Term: **14 Years**

(21) Appl. No.: **29/392,980**

(22) Filed: **May 27, 2011**

(51) **LOC (9) Cl.** **32-00**

(52) **U.S. Cl.** **D14/486**

(58) **Field of Classification Search** D14/485-495;
715/700-867

See application file for complete search history.

D545,828 S *	7/2007	Vong et al.	D14/485
D546,335 S *	7/2007	Vong et al.	D14/485
D548,743 S	8/2007	Takahashi	
D562,337 S	2/2008	Keohane	
D562,338 S	2/2008	Keohane	
D562,838 S	2/2008	Salunkhe	
D565,627 S *	4/2008	Kase	D16/219
D566,126 S	4/2008	Park et al.	
7,370,284 B2 *	5/2008	Andrea et al.	715/788
D571,819 S *	6/2008	Scott et al.	D14/487
D571,820 S *	6/2008	Scott et al.	D14/487
7,389,253 B2 *	6/2008	Townsend et al.	705/26.8
D573,600 S *	7/2008	Kaminaga	D14/486
D573,601 S *	7/2008	Gregov et al.	D14/487
D575,792 S	8/2008	Benson	
7,437,005 B2 *	10/2008	Drucker et al.	382/224
D582,938 S *	12/2008	Chen et al.	D14/488
D583,387 S *	12/2008	Chen et al.	D14/488
D590,415 S	4/2009	Ball et al.	
D594,020 S *	6/2009	Ball et al.	D14/486
D600,701 S	9/2009	Kase	
D607,468 S	1/2010	Ho	
D608,367 S *	1/2010	Scalisi et al.	D14/486
7,675,514 B2 *	3/2010	Ni et al.	345/419
D614,191 S	4/2010	Takano et al.	
D614,635 S *	4/2010	Scalisi et al.	D14/486
D614,646 S *	4/2010	Chen et al.	D14/488

(Continued)

(56) **References Cited**

U.S. PATENT DOCUMENTS

5,583,560 A *	12/1996	Florin et al.	725/40
D420,995 S	2/2000	Imamura et al.	
D427,574 S *	7/2000	Sawada et al.	D14/486
6,320,602 B1 *	11/2001	Burkardt et al.	715/817
D459,360 S *	6/2002	Leon et al.	D14/486
D463,444 S *	9/2002	Istvan et al.	D14/486
D468,748 S *	1/2003	Inagaki	D14/486
D470,857 S *	2/2003	Anderson et al.	D14/485
D474,778 S *	5/2003	Barnes	D14/486
D492,691 S *	7/2004	Kortis	D14/486
6,947,062 B2 *	9/2005	Cuijpers et al.	715/767
D512,726 S	12/2005	Hernandez et al.	
D519,122 S	4/2006	MacKenzie et al.	
7,178,111 B2 *	2/2007	Glein et al.	715/848
7,178,158 B2 *	2/2007	Nishina et al.	725/43

Primary Examiner — Deanna L Fluegeman

(74) *Attorney, Agent, or Firm* — Banner & Witcoff, Ltd.

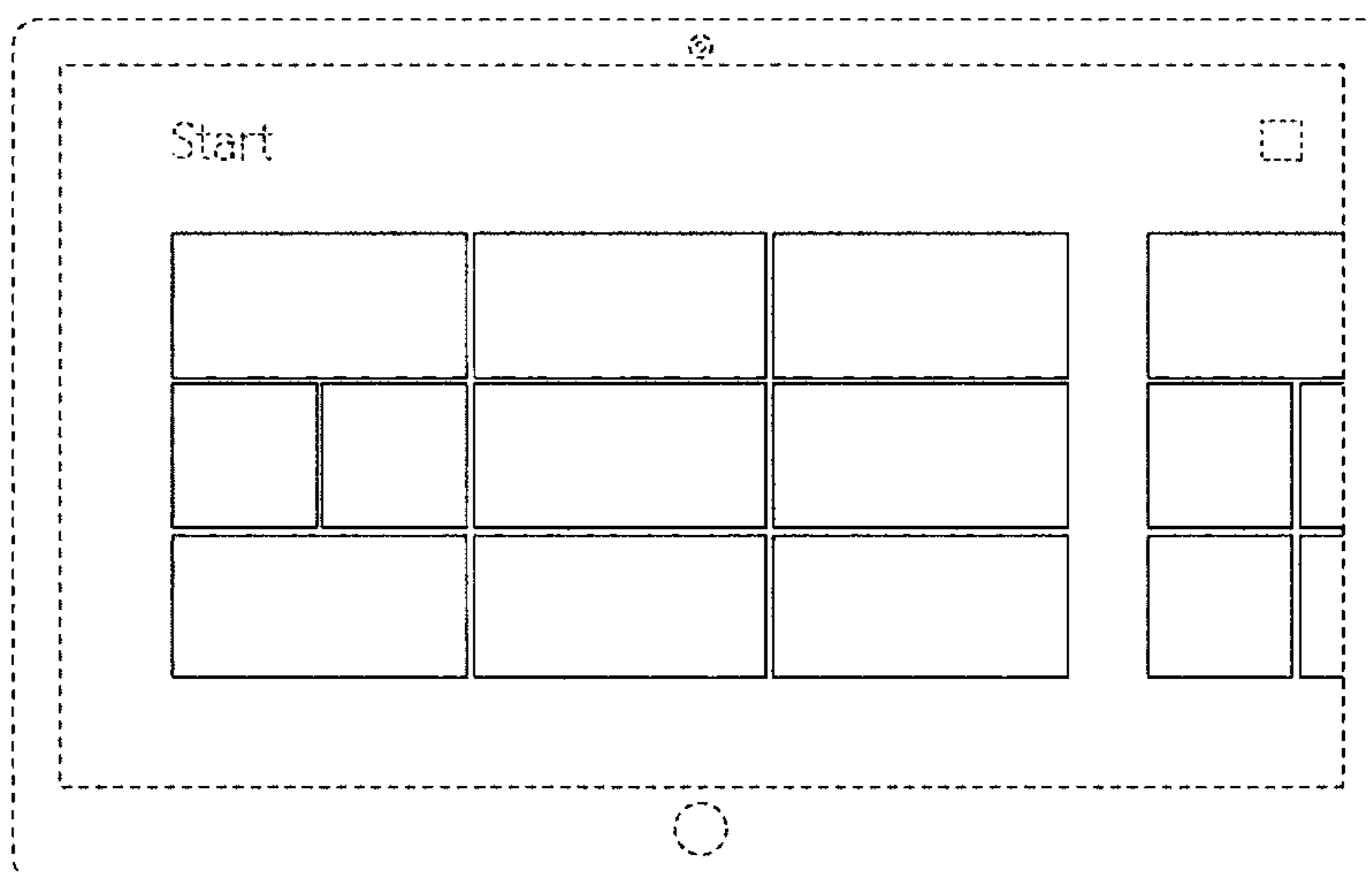
(57) **CLAIM**

The ornamental design for a display screen with user interface, as shown and described.

DESCRIPTION

The FIGURE is a front view of a display screen with user interface showing the new design. The broken line showings of the remainder of the user interface and of the tablet computer illustrate unclaimed environment and form no part of the claimed design.

1 Claim, 1 Drawing Sheet



US D664,970 S

Page 2

U.S. PATENT DOCUMENTS

D617,333	S *	6/2010	Scalisi et al.	D14/485	D640,280	S *	6/2011	Davis et al.	D14/487
7,761,812	B2 *	7/2010	Ostojic et al.	715/835	D640,281	S *	6/2011	Davis et al.	D14/487
D626,135	S	10/2010	Choi et al.		D640,710	S *	6/2011	Brouwers et al.	D14/486
D626,137	S	10/2010	McLaughlin et al.		7,966,577	B2 *	6/2011	Chaudhri et al.	715/835
D626,138	S	10/2010	McLaughlin et al.		D641,372	S *	7/2011	Gardner et al.	D14/486
D626,139	S	10/2010	McLaughlin et al.		D641,373	S *	7/2011	Gardner et al.	D14/486
D626,140	S	10/2010	McLaughlin et al.		D642,192	S *	7/2011	Arnold	D14/487
D628,208	S	11/2010	Potemski et al.		D643,850	S *	8/2011	Arnold et al.	D14/487
D628,583	S	12/2010	Kurozumi et al.		D643,851	S *	8/2011	Arnold et al.	D14/487
D629,417	S	12/2010	Weir et al.		D644,240	S *	8/2011	Arnold et al.	D14/487
7,853,877	B2 *	12/2010	Giesen et al.	715/711	D645,469	S *	9/2011	Gardner et al.	D14/488
7,864,978	B2 *	1/2011	Anthony et al.	382/100	D646,291	S *	10/2011	Thai et al.	D14/486
D633,526	S	3/2011	Trabona et al.		D646,292	S *	10/2011	Thai et al.	D14/486
D633,919	S *	3/2011	Chen	D14/486	D646,691	S *	10/2011	Thai et al.	D14/486
D634,750	S	3/2011	Loretan et al.		D646,692	S *	10/2011	Thai et al.	D14/486
D636,392	S	4/2011	Akana et al.		D646,694	S *	10/2011	Thai et al.	D14/486
D636,780	S	4/2011	Musleh		2002/0135621	A1 *	9/2002	Angiulo et al.	345/838
7,940,303	B1 *	5/2011	Farber et al.	348/173	2004/0187079	A1 *	9/2004	Yamada et al.	715/517
D639,306	S	6/2011	Woods et al.		2004/0250278	A1 *	12/2004	Imai et al.	725/40
D639,820	S	6/2011	Jones et al.		2005/0125826	A1 *	6/2005	Hunleth et al.	725/45
D639,821	S	6/2011	Jones et al.		2005/0160377	A1 *	7/2005	Sciammarella et al.	715/838
D639,822	S	6/2011	Jones et al.		2005/0193347	A1 *	9/2005	Van Dam	715/764
D639,823	S	6/2011	Jones et al.		2005/0289482	A1 *	12/2005	Anthony et al.	715/851
D640,266	S *	6/2011	Furuya et al.	D14/486	2007/0209023	A1 *	9/2007	Nakagawa et al.	715/838
D640,269	S *	6/2011	Chen	D14/487	2008/0189658	A1 *	8/2008	Jeong et al.	715/810
D640,272	S *	6/2011	Arnold et al.	D14/487	2010/0070926	A1 *	3/2010	Abanami et al.	715/835
D640,275	S *	6/2011	Davis et al.	D14/487					

* cited by examiner

