



US00D664960S

(12) **United States Design Patent**  
**Stoops**

(10) **Patent No.:** **US D664,960 S**

(45) **Date of Patent:** **\*\* Aug. 7, 2012**

(54) **PROTECTIVE COVER FOR A  
KEYBOARD/KEYBOARD ENCLOSURE**

(76) Inventor: **Kevin R. Stoops**, Bucyrus, KS (US)

(\*\*) Term: **14 Years**

(21) Appl. No.: **29/385,677**

(22) Filed: **Feb. 17, 2011**

(51) **LOC (9) Cl.** ..... **14-02**

(52) **U.S. Cl.** ..... **D14/455**

(58) **Field of Classification Search** ..... D14/391-399,  
D14/315-327, 440, 447, 454-457; D18/1,  
D18/2, 7; 235/145 A, 145 R; 341/20, 22,  
341/23; 345/104, 156, 168, 169; 361/679.01,  
361/679.02, 679.08, 679.09, 679.11-679.15;  
400/472, 489, 492

See application file for complete search history.

(56) **References Cited**

**U.S. PATENT DOCUMENTS**

4,476,462	A *	10/1984	Feldman	.....	345/160
4,948,281	A *	8/1990	Werner	.....	400/472
5,144,302	A *	9/1992	Carter et al.	.....	341/20
5,982,357	A *	11/1999	Burgett et al.	.....	345/168
6,580,799	B1 *	6/2003	Azima et al.	.....	381/333
6,727,890	B2 *	4/2004	Andres et al.	.....	345/168
D516,079	S *	2/2006	Solomon et al.	.....	D14/455
7,038,598	B2 *	5/2006	Uke	.....	341/20

7,091,955	B2 *	8/2006	Kramer	.....	345/168
D540,396	S *	4/2007	Kawanobe et al.	.....	D21/333
D594,008	S *	6/2009	Doczy et al.	.....	D14/439
D613,745	S *	4/2010	Arbisi et al.	.....	D14/455

\* cited by examiner

*Primary Examiner* — Freda S Nunn

(74) *Attorney, Agent, or Firm* — Bryan P. Stanley; Marcellus A. Chase; Kutak Rock LLP

(57) **CLAIM**

The ornamental design for a protective cover for a keyboard/keyboard enclosure, as shown and described.

**DESCRIPTION**

FIG. 1 is a front perspective view of an embodiment of the protective cover for a keyboard/keyboard enclosure of the instant invention.

FIG. 2 is a top plan view of the protective cover of FIG. 1.

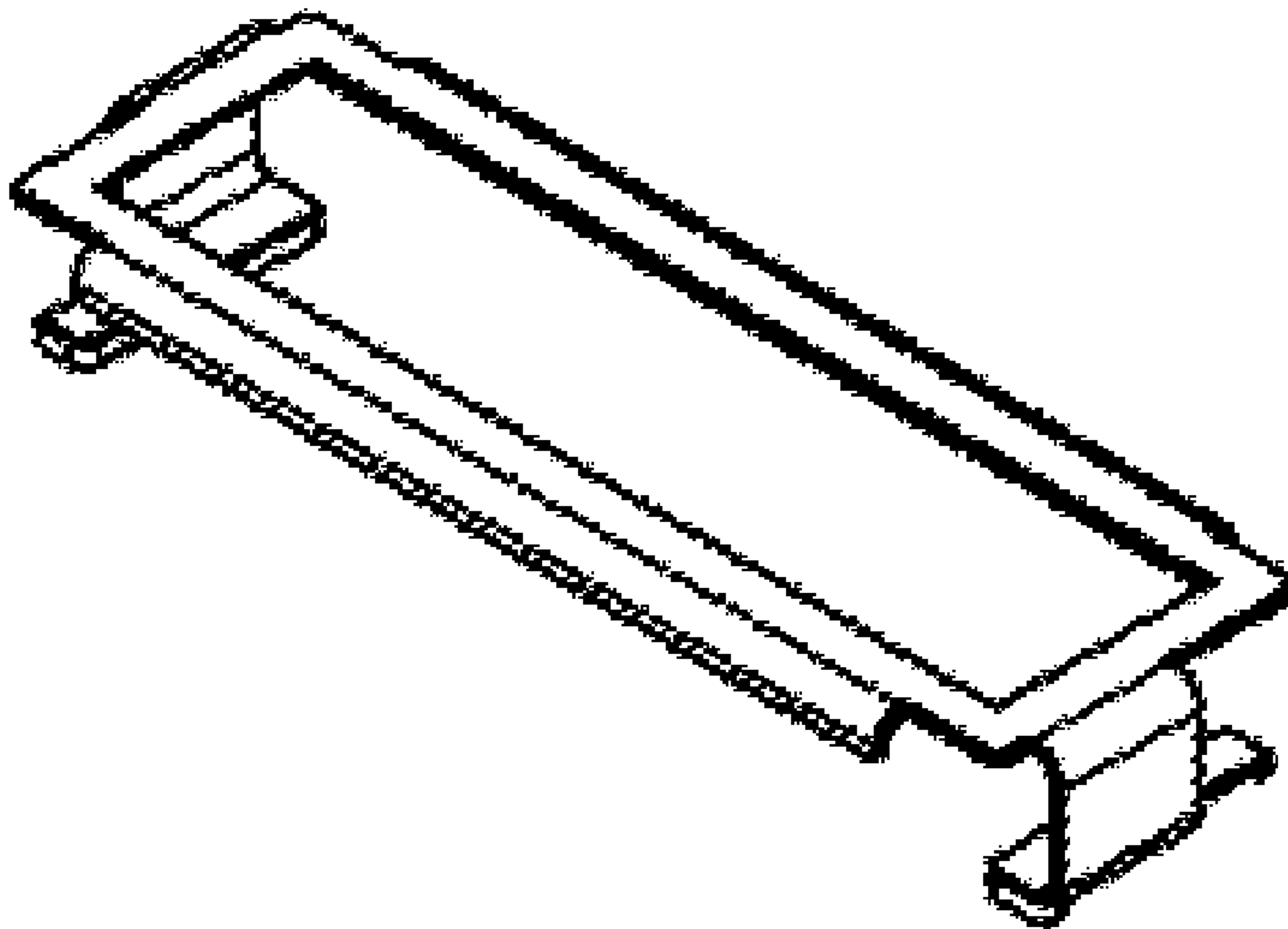
FIG. 3 is a bottom view of the protective cover of FIG. 1.

FIG. 4 is a front elevation view of the protective cover of FIG. 1, the rear view being a mirror image thereof.

FIG. 5 is an end view of the protective cover of FIG. 1, the opposing end view being a mirror image thereof; and,

FIG. 6 is a detail view of a portion of the protective cover of FIG. 4.

**1 Claim, 1 Drawing Sheet**



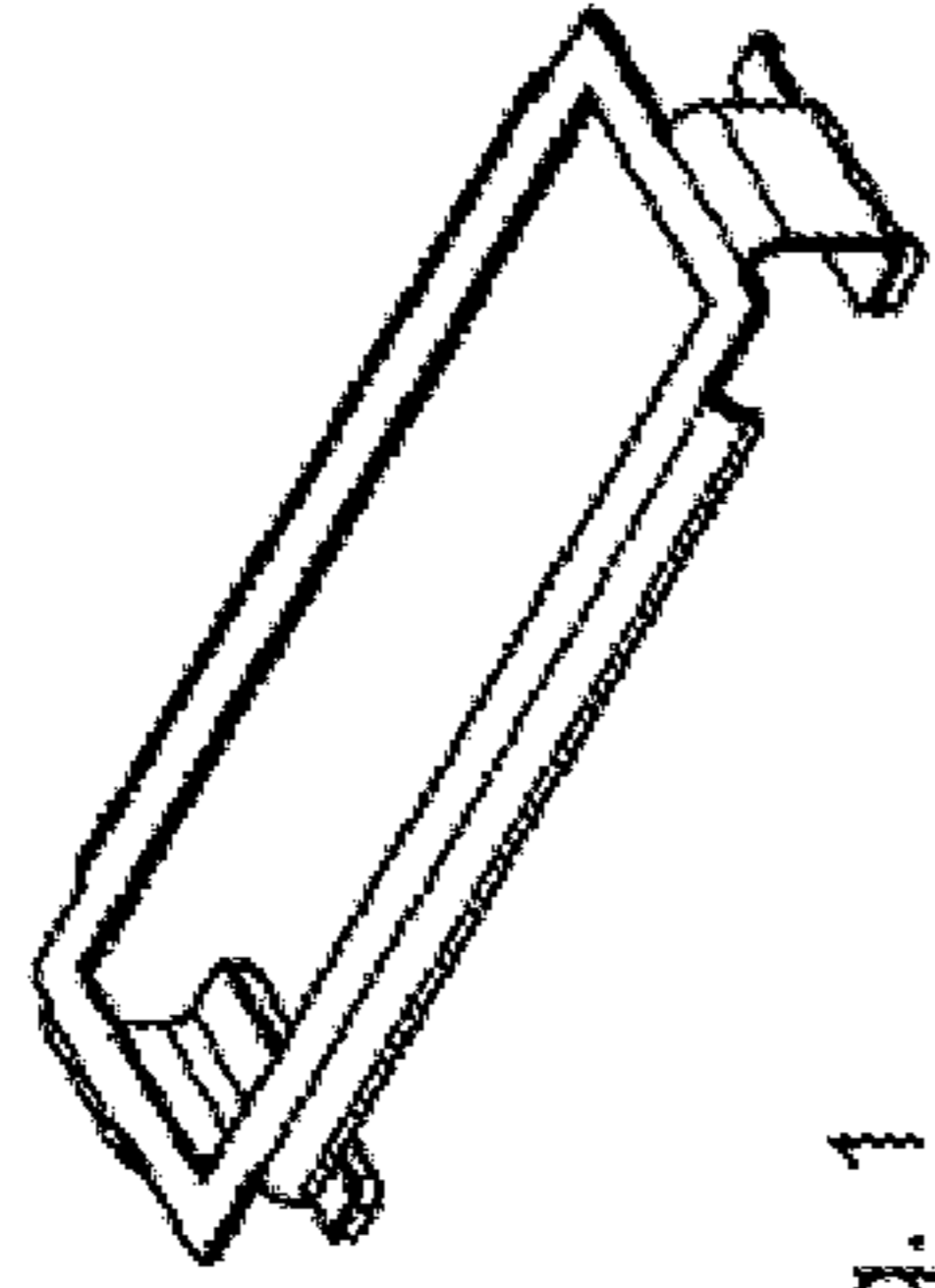


Fig. 1

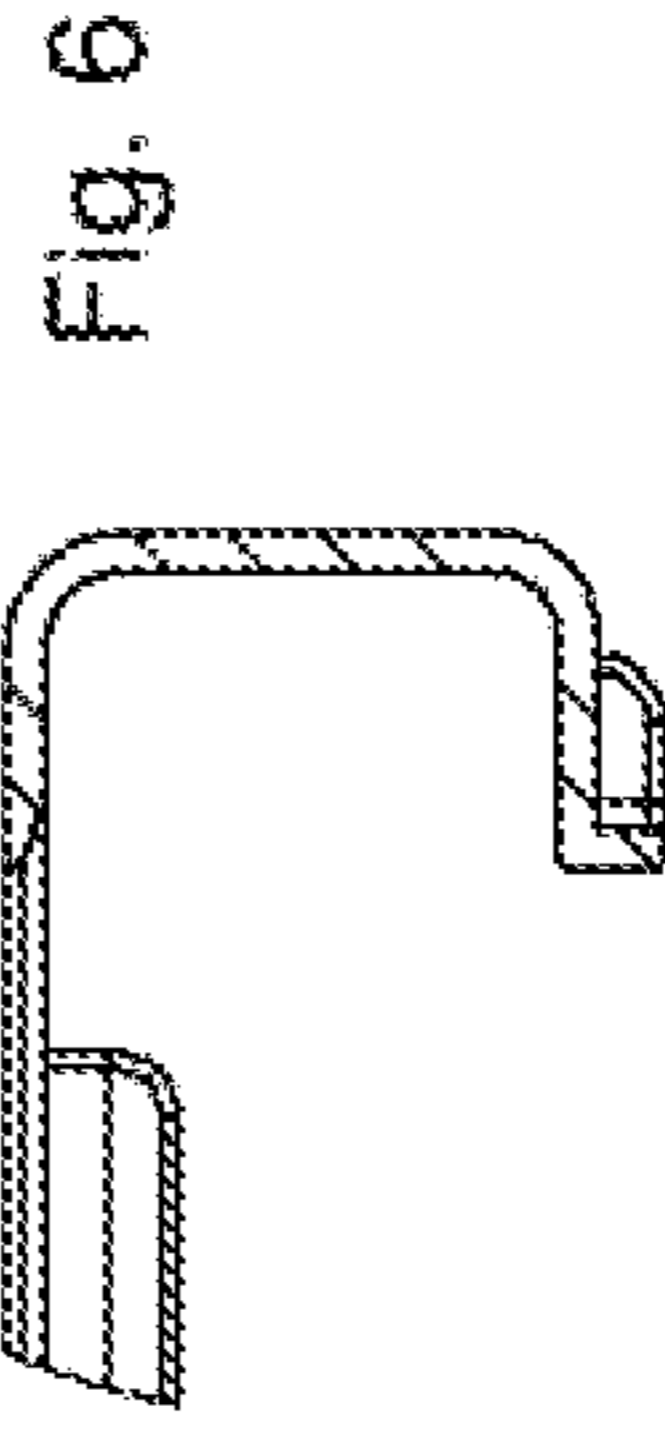


Fig. 6

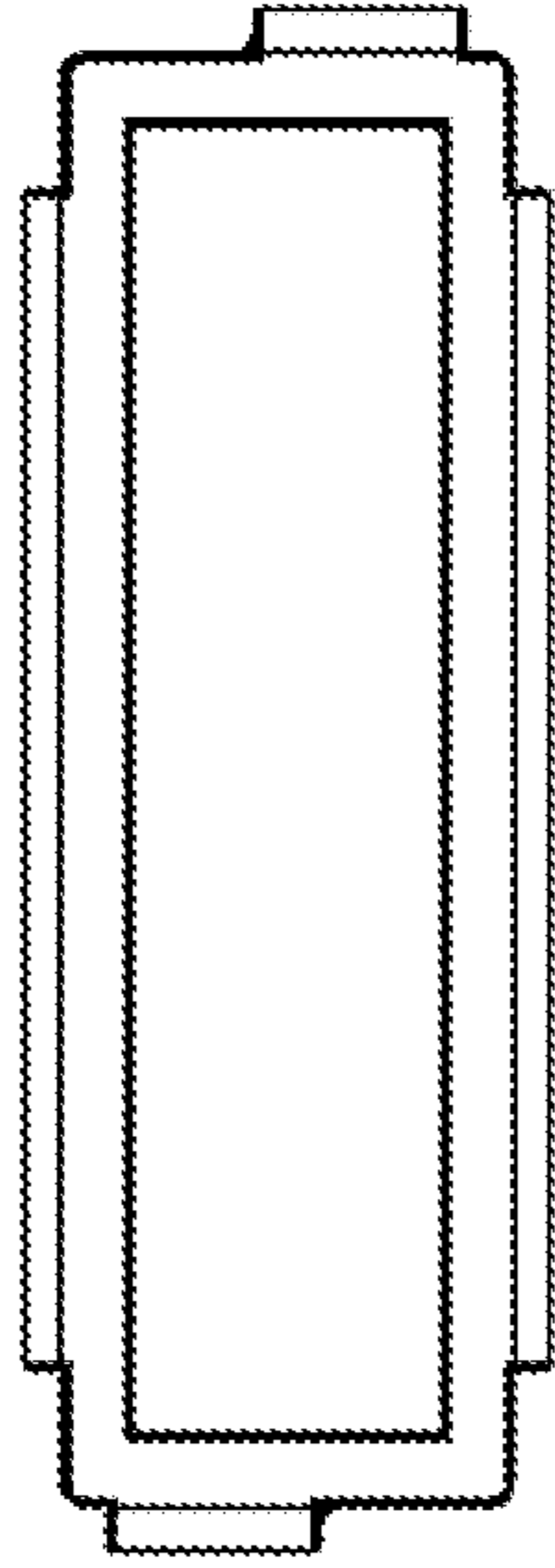


Fig. 2

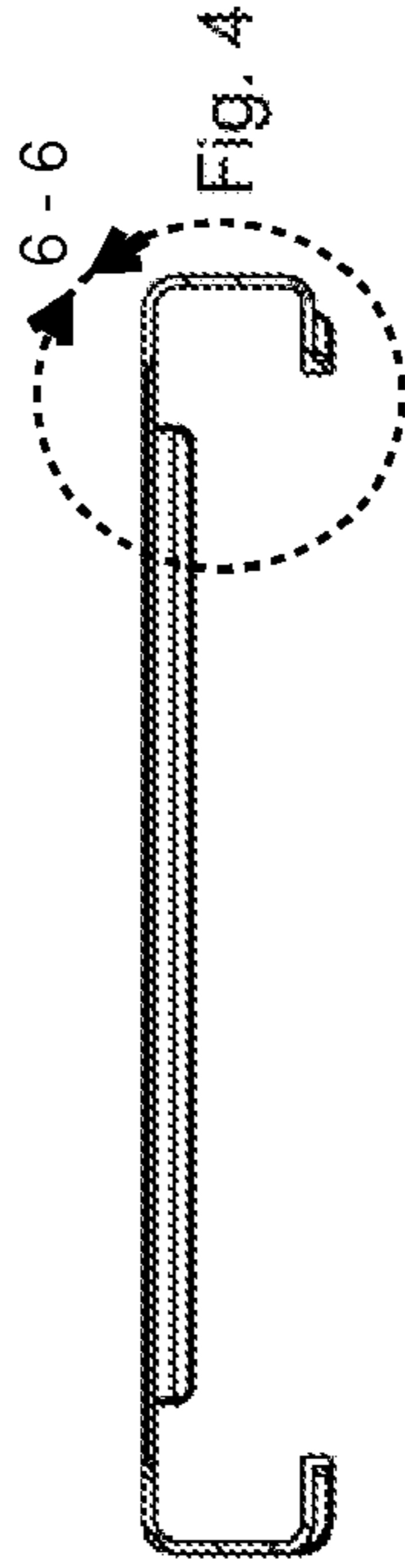


Fig. 4

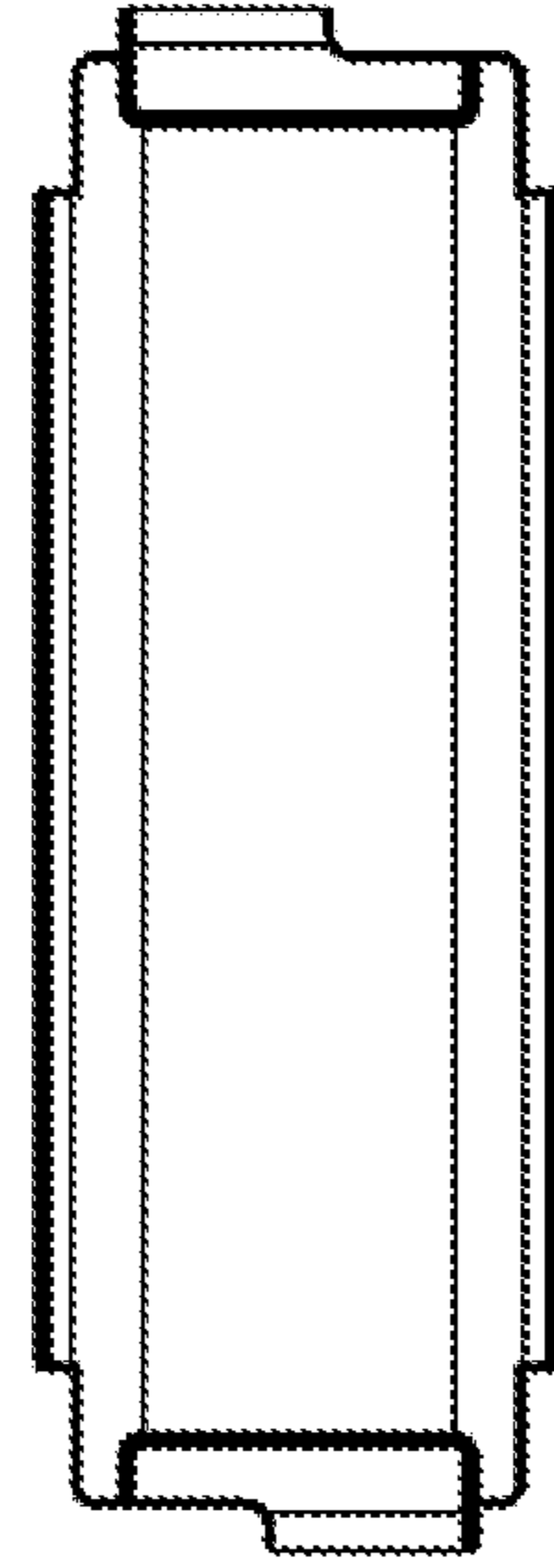


Fig. 3

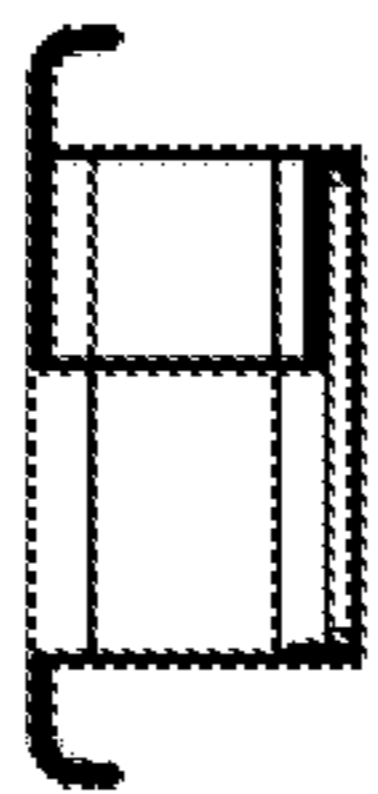


Fig. 5