

US00D664959S

(12) **United States Design Patent**
Terwilliger et al.

(10) **Patent No.:** **US D664,959 S**

(45) **Date of Patent:** **** Aug. 7, 2012**

(54) **MODULAR INFORMATION HANDLING
SYSTEM BEZEL**

D415,126 S * 10/1999 Egan et al. D14/364
6,359,789 B1 * 3/2002 Imabayashi et al. 361/796
D555,157 S * 11/2007 Tosh et al. D14/301

(75) Inventors: **Kevin Terwilliger**, Austin, TX (US);
Bryan K. Hunter, Round Rock, TX
(US); **David L. Mand**, New Albany, IN
(US); **Richard Crisp**, Austin, TX (US)

* cited by examiner

Primary Examiner — Freda S Nunn

(74) *Attorney, Agent, or Firm* — Hamilton & Terrile, LLP;
Stephen A. Terrile

(73) Assignee: **Dell Products L.P.**, Round Rock, TX
(US)

(57) **CLAIM**

The ornamental design for the modular information handling system bezel, as shown and described.

(**) Term: **14 Years**

(21) Appl. No.: **29/405,200**

DESCRIPTION

(22) Filed: **Oct. 31, 2011**

(51) **LOC (9) Cl.** **14-02**

(52) **U.S. Cl.** **D14/444**

(58) **Field of Classification Search** D14/441-446,
D14/313, 300, 301, 356, 361-368; D13/162,
D13/184, 199; 312/223.2; 360/99.01-99.12;
361/679.31-679.33, 679.37, 679.55; 369/34.01,
369/36.01

FIG. 1 is a front right perspective view of modular information handling system bezel comprising the present invention; FIG. 2 is a front view thereof; FIG. 3 is a right side view thereof; FIG. 4 is a left side view thereof; FIG. 5 is a top view thereof; FIG. 6 is a bottom view thereof; and, FIG. 7 is a front right perspective view of the modular information handling system bezel mounted in a rack of a similar modular information handling system bezel.

See application file for complete search history.

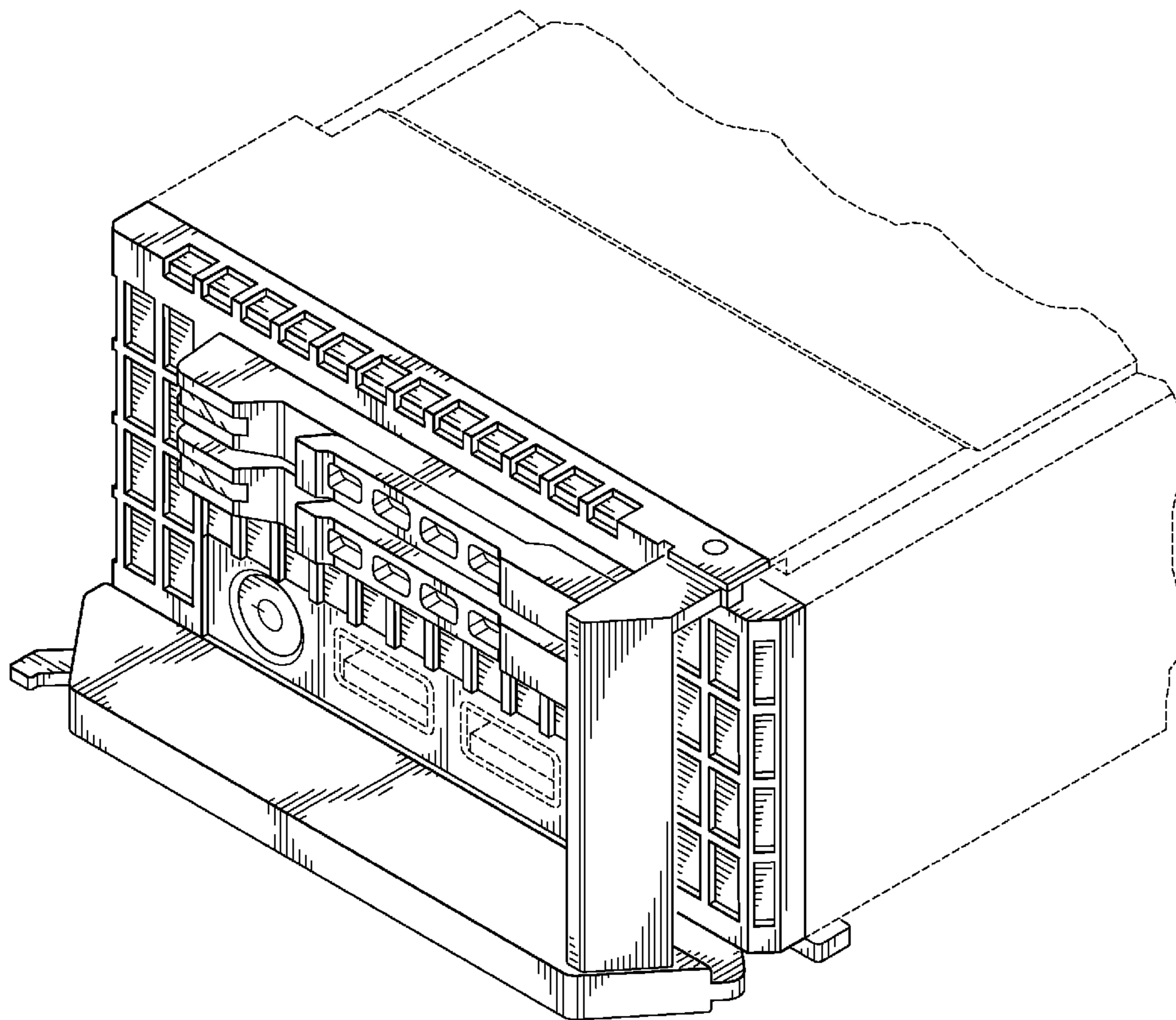
Broken lines shown in the drawings illustrate portions of the modular information handling system bezel, and form no part of the claimed design.

(56) **References Cited**

U.S. PATENT DOCUMENTS

D341,824 S * 11/1993 Chen D14/328
D374,216 S * 10/1996 Paul D14/313

1 Claim, 5 Drawing Sheets



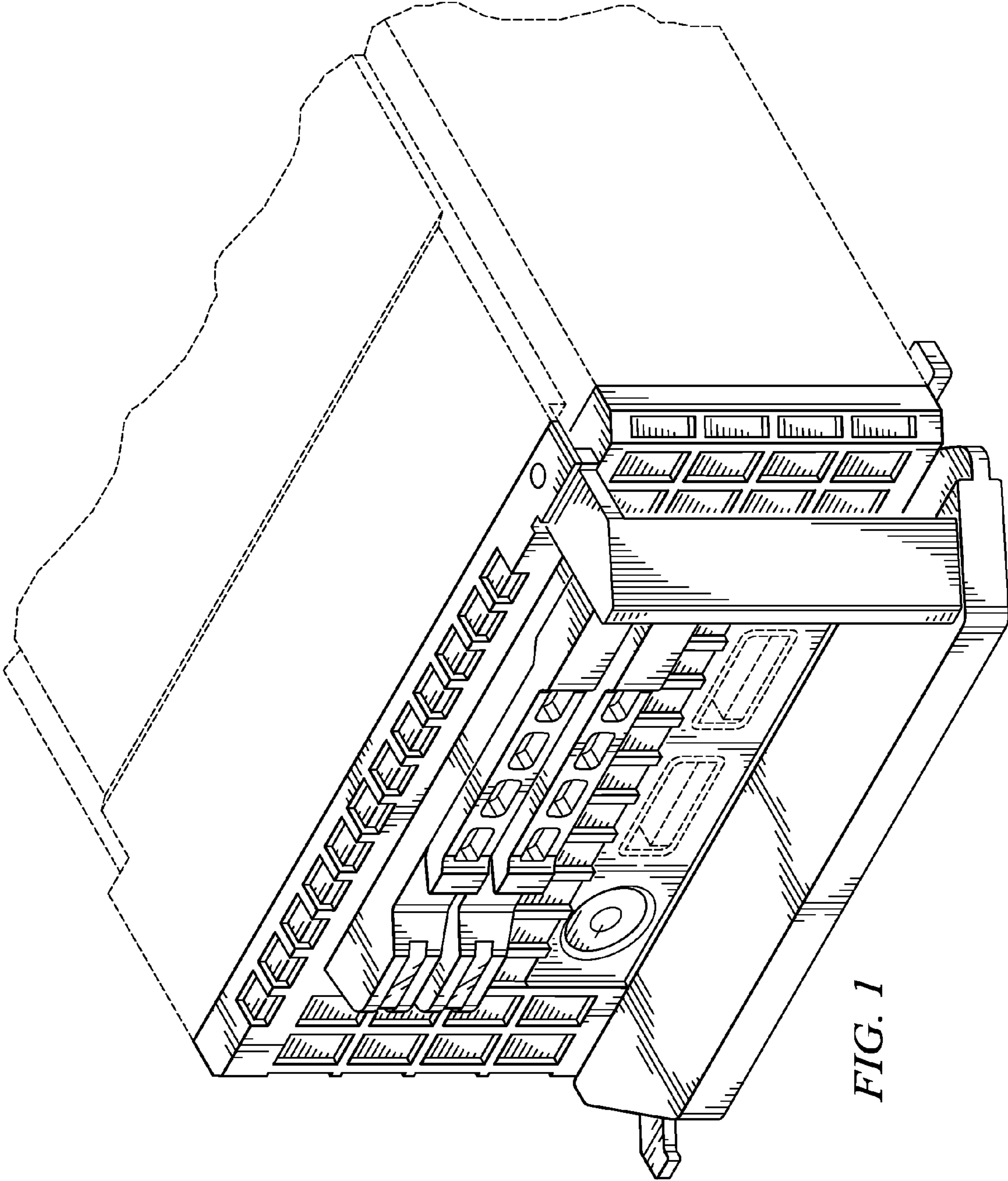


FIG. 1

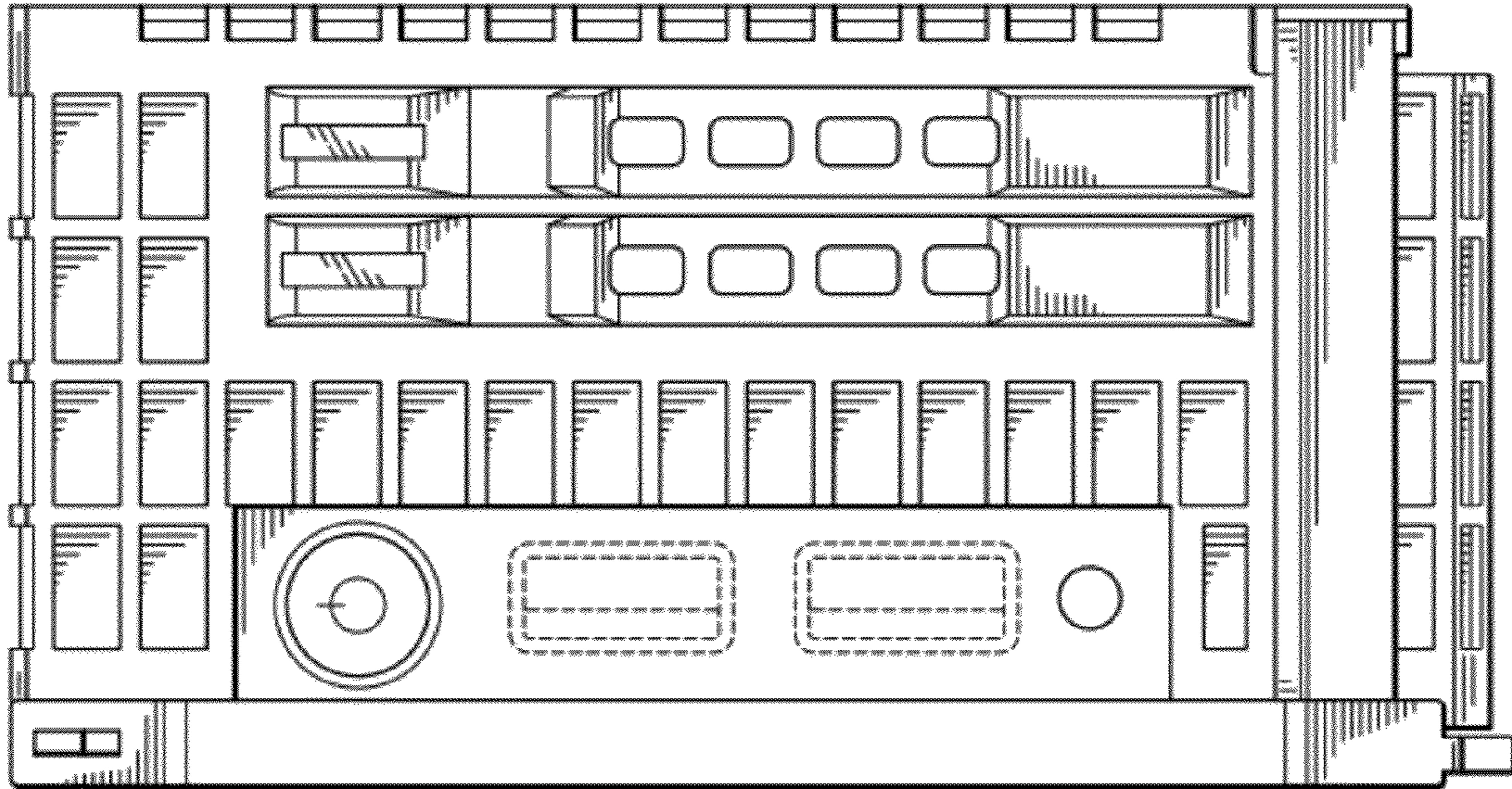


FIG. 2

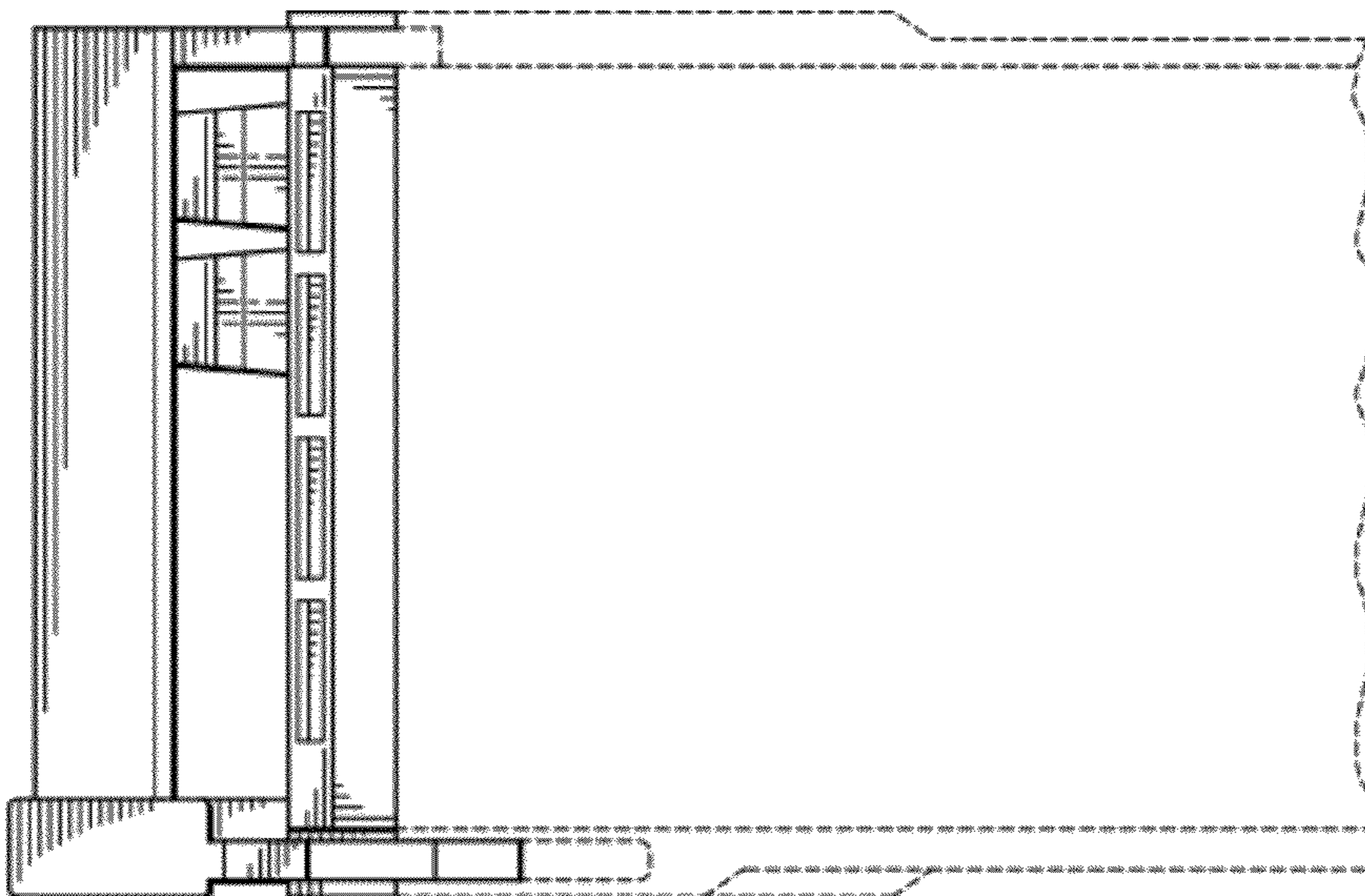


FIG. 3

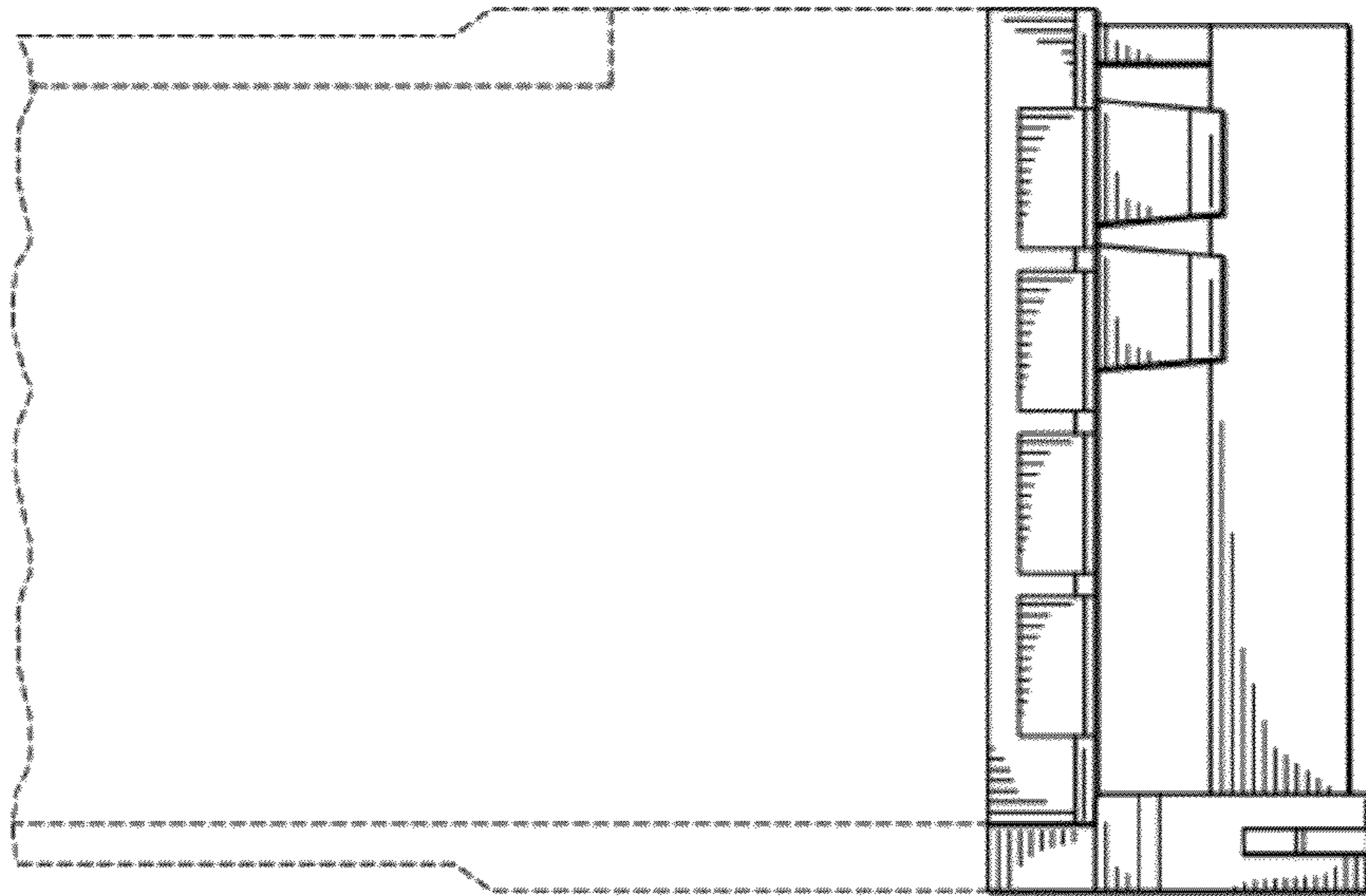


FIG. 4

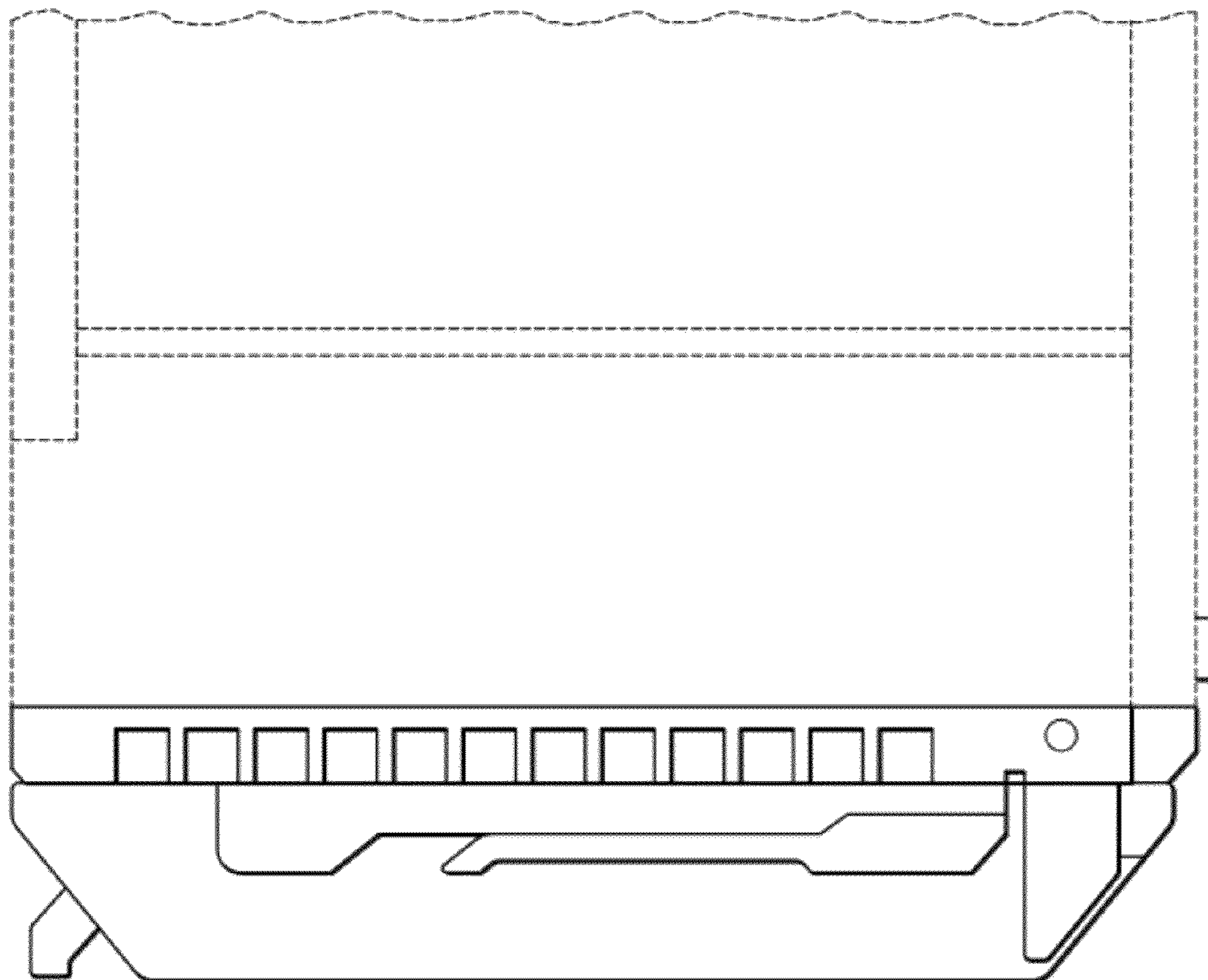


FIG. 5

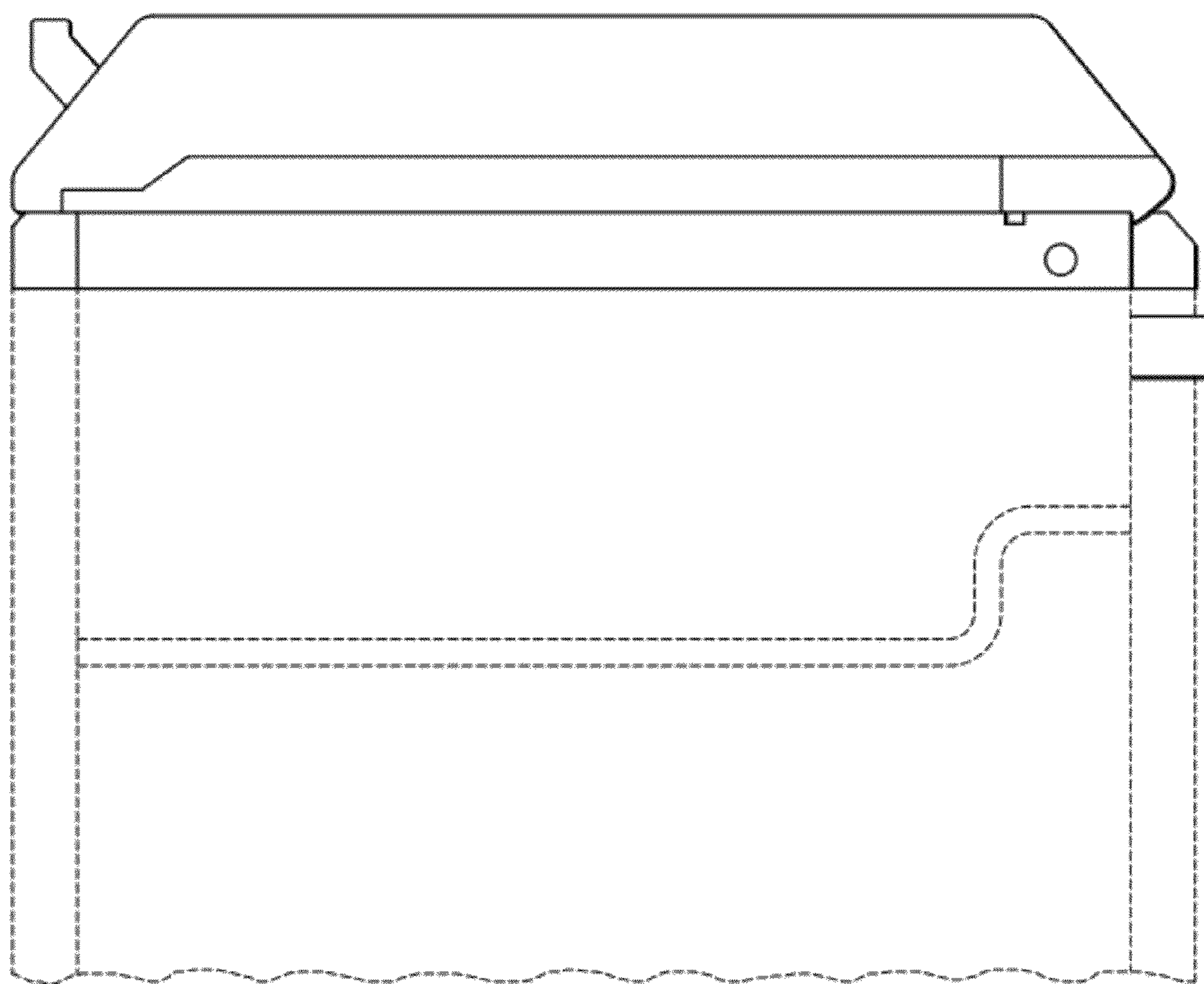


FIG. 6

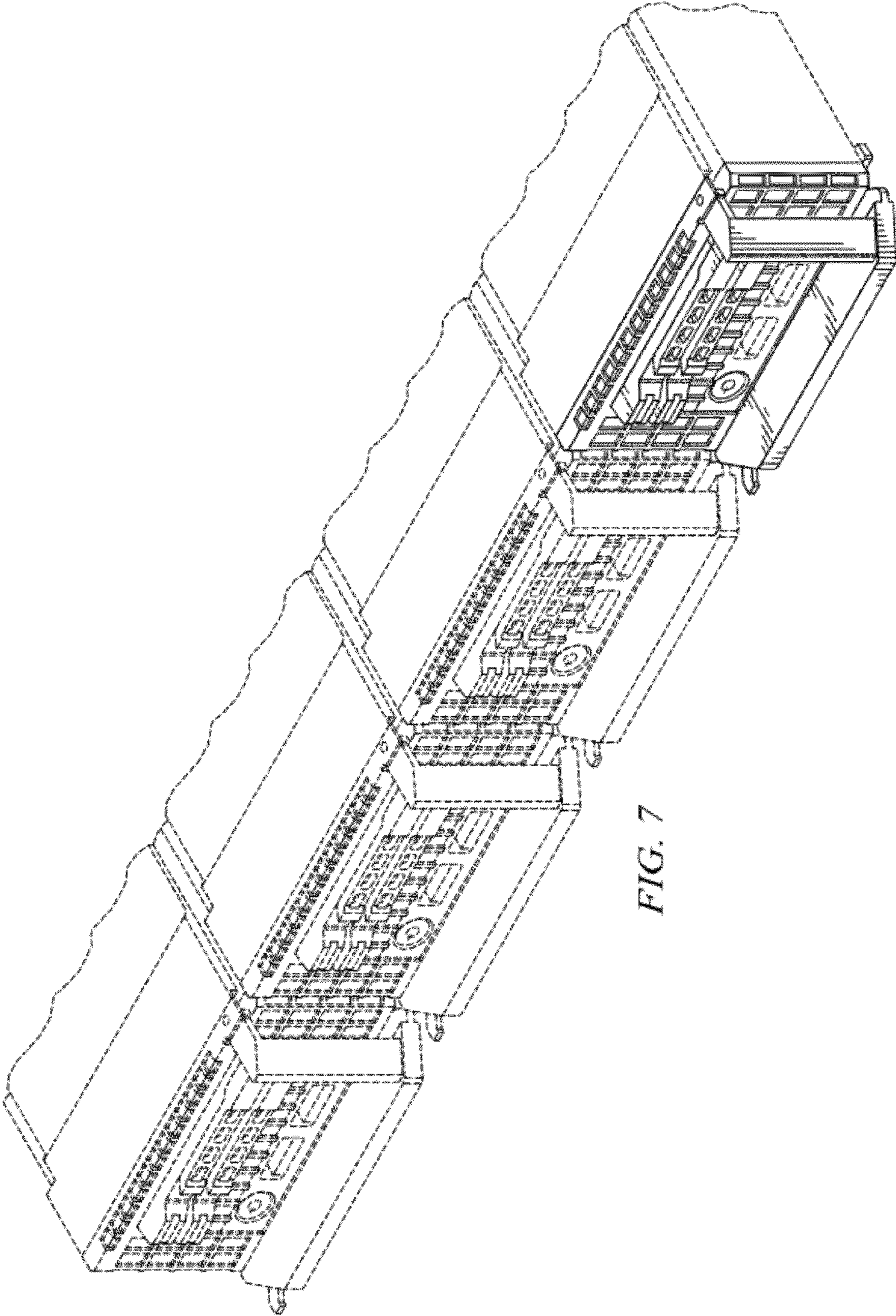


FIG. 7