



US00D664958S

(12) **United States Design Patent**
McManigal

(10) **Patent No.:** **US D664,958 S**

(45) **Date of Patent:** **** Aug. 7, 2012**

(54) **TABLET DOCK**

(75) **Inventor:** **Scott McManigal**, Irvine, CA (US)

(73) **Assignee:** **Vizio, Inc**, Irvine, CA (US)

(**) **Term:** **14 Years**

(21) **Appl. No.:** **29/398,286**

(22) **Filed:** **Jul. 28, 2011**

(51) **LOC (9) Cl.** **14-02**

(52) **U.S. Cl.** **D14/434**

(58) **Field of Classification Search** D14/432-434,
D14/314, 204, 420, 421, 447, 217, 358, 138 R,
D14/140, 142; D13/107, 108, 146; D8/373;
248/346.03, 176.1; 361/679.41, 679.31,
361/679.32, 679.4, 679.43, 679.55, 679.58,
361/679.33; 320/109, 112-115; 710/15,
710/303; 455/557; 439/347, 534
See application file for complete search history.

(56) **References Cited**

U.S. PATENT DOCUMENTS

5,619,397 A * 4/1997 Honda et al. 361/679.43
D489,325 S * 5/2004 Nakamura D13/110

D520,013 S * 5/2006 Yang D14/434
D584,731 S * 1/2009 Montgomery et al. D14/434
D607,879 S * 1/2010 Ferber et al. D14/217
D627,785 S * 11/2010 Bouthillier D14/434
D635,918 S * 4/2011 Le et al. D13/108

* cited by examiner

Primary Examiner — Freda S Nunn

(74) *Attorney, Agent, or Firm* — Law Office of Scott C. Harris, Inc.

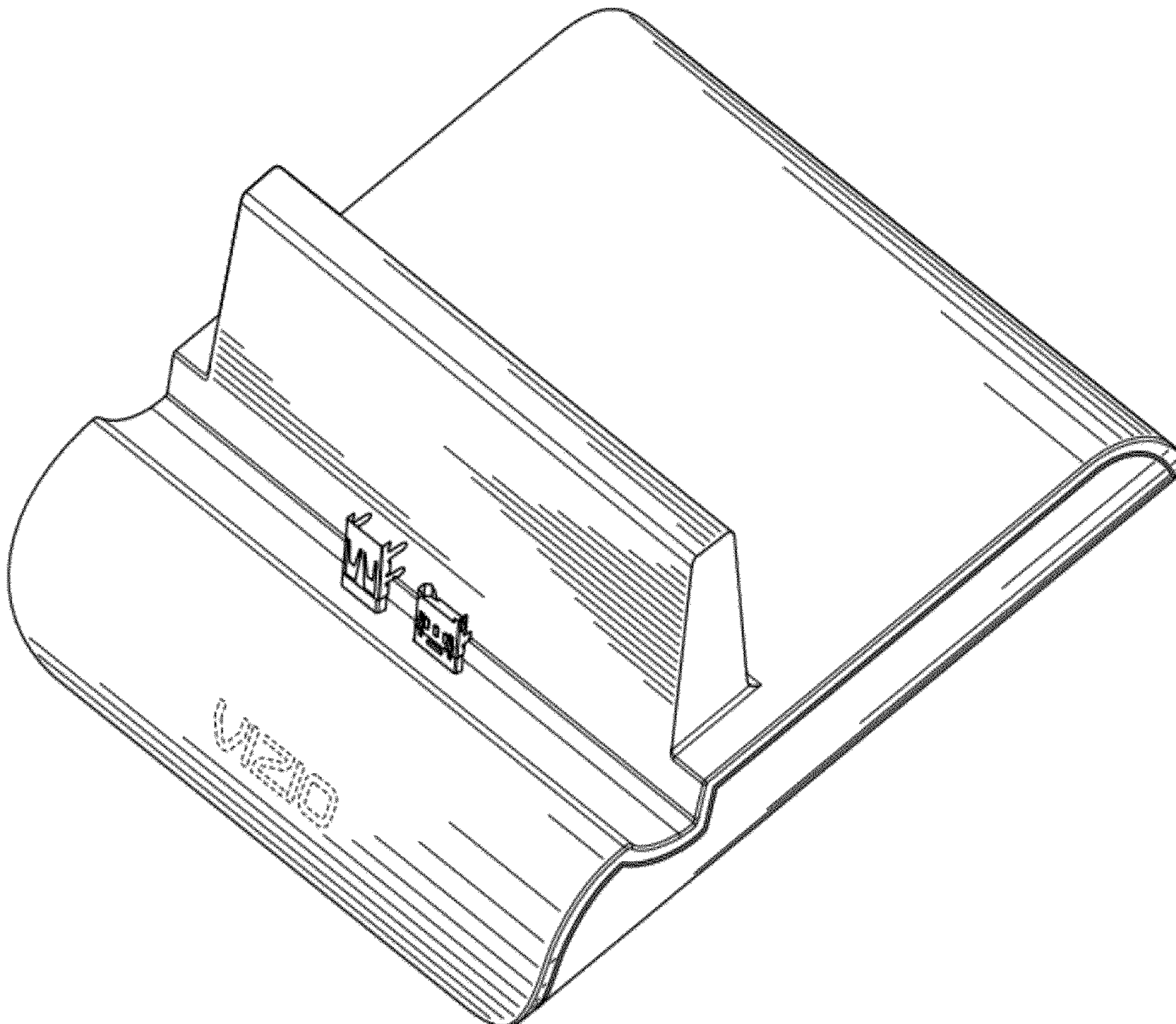
(57) **CLAIM**

The ornamental design for a tablet dock, as shown and described.

DESCRIPTION

FIG. 1 is a perspective view of the tablet dock;
FIG. 2 is a front view of the tablet dock;
FIG. 3 is a back view of the tablet dock;
FIGS. 4 and 5 show alternate side views of the tablet dock;
and,
FIGS. 6 and 7 show front and back views of the tablet dock.
Broken lines shown in the drawings illustrate portions of the tablet dock and form no part of the claimed design.

1 Claim, 6 Drawing Sheets



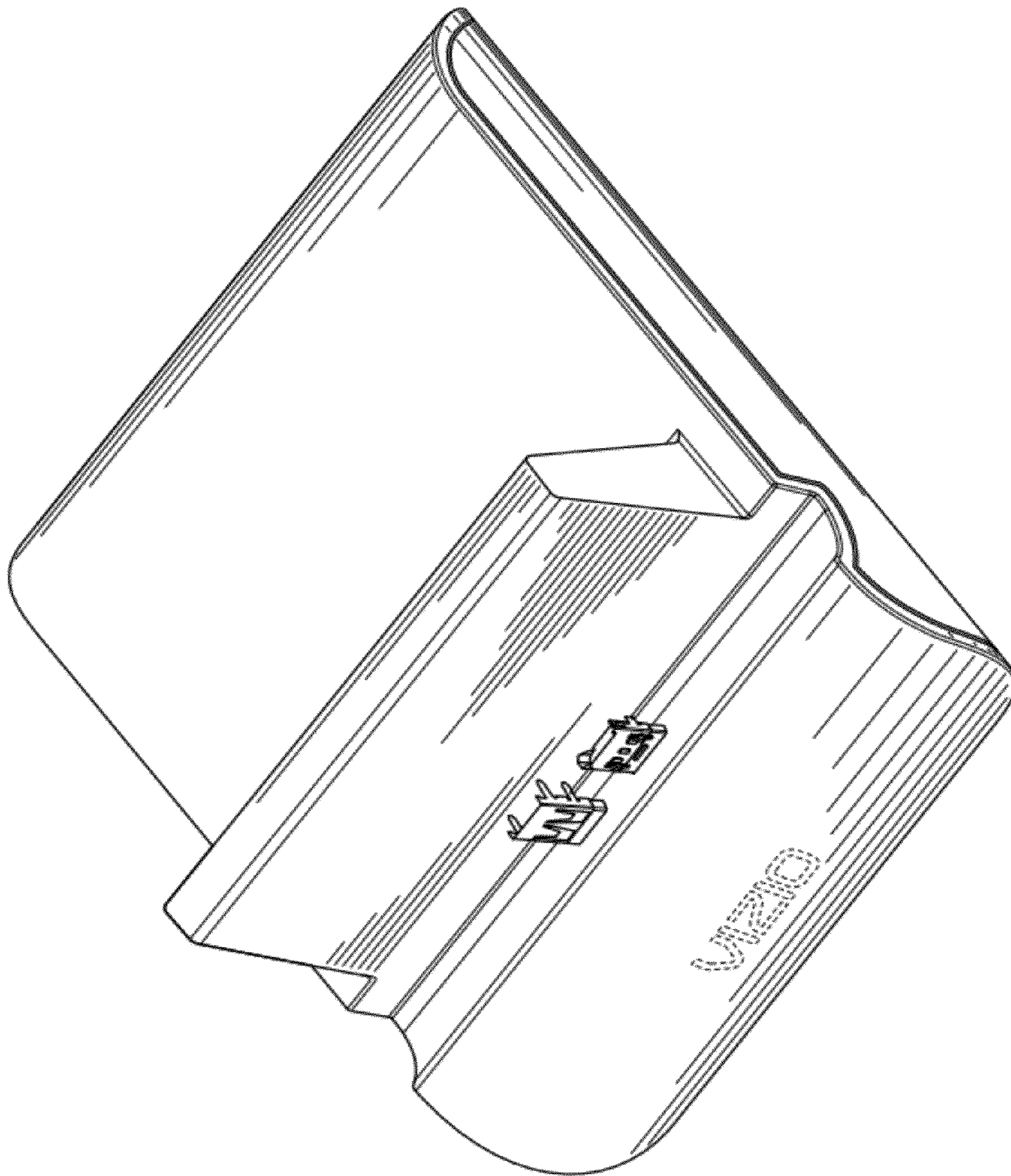


FIG. 1

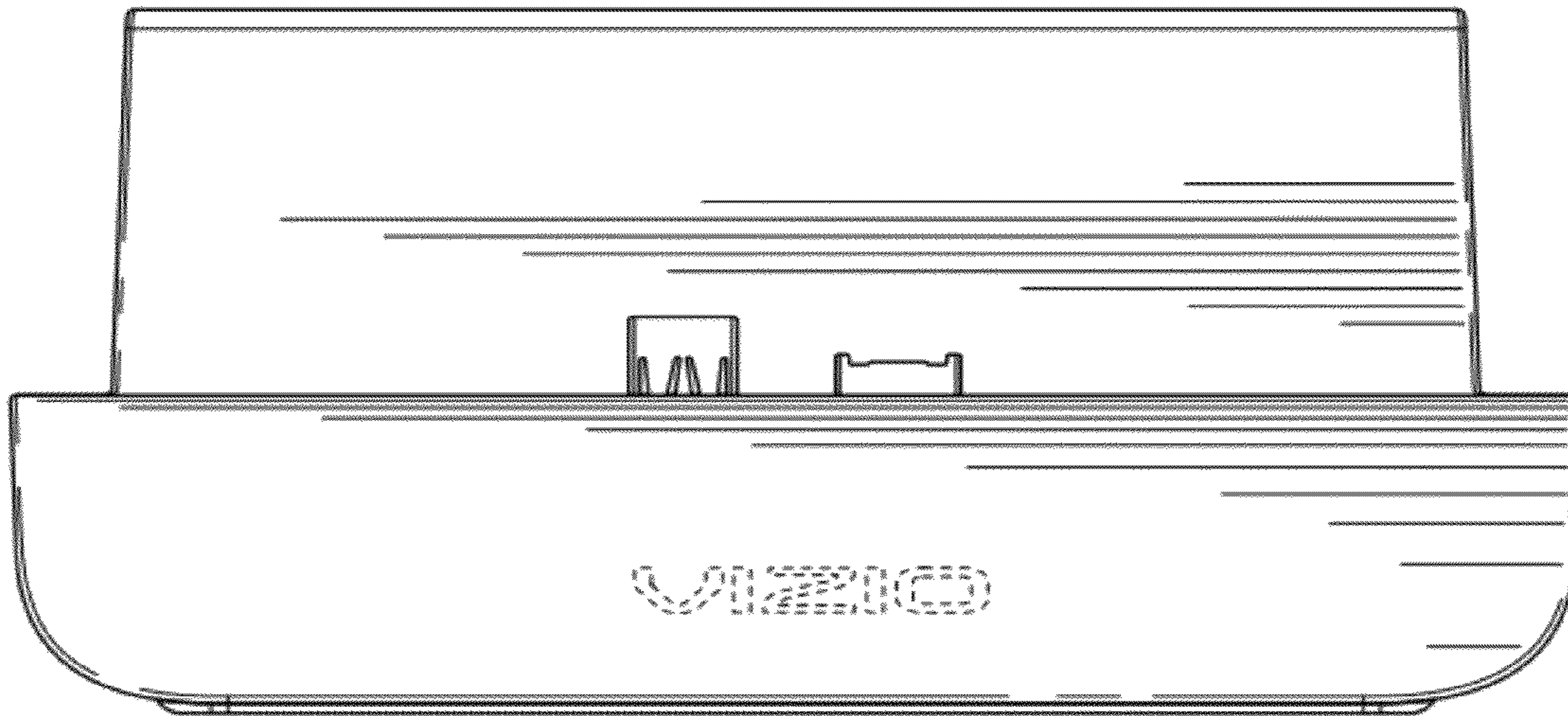


FIG. 2

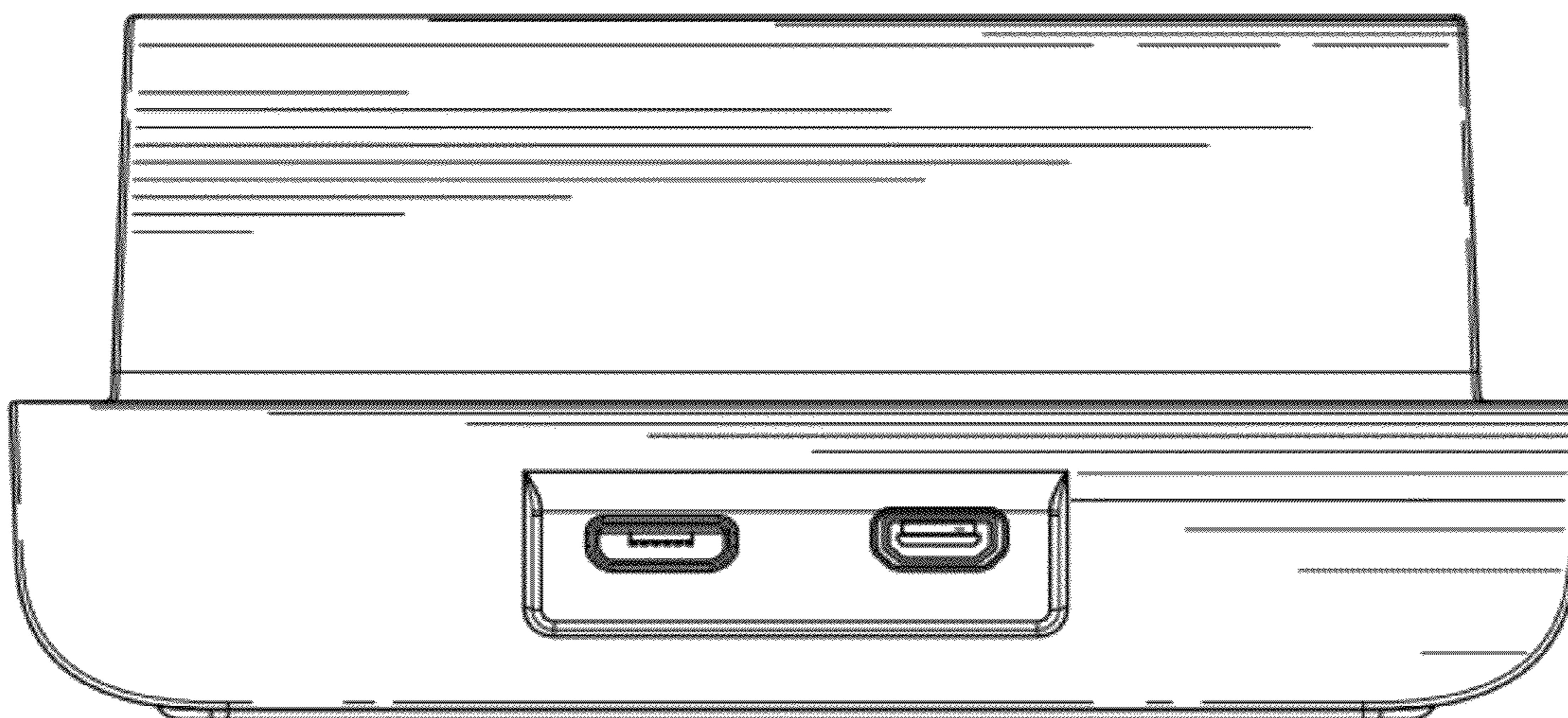


FIG. 3

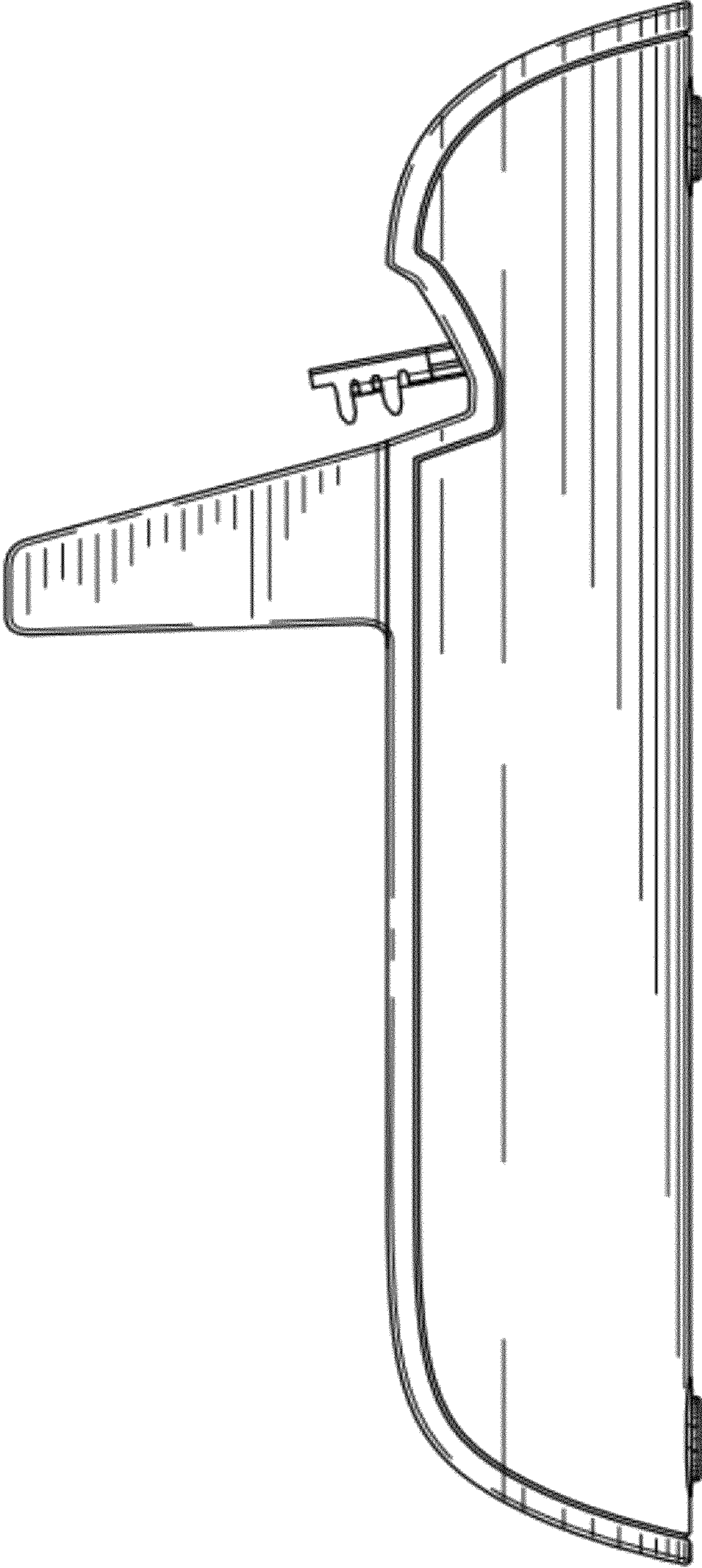


FIG. 4

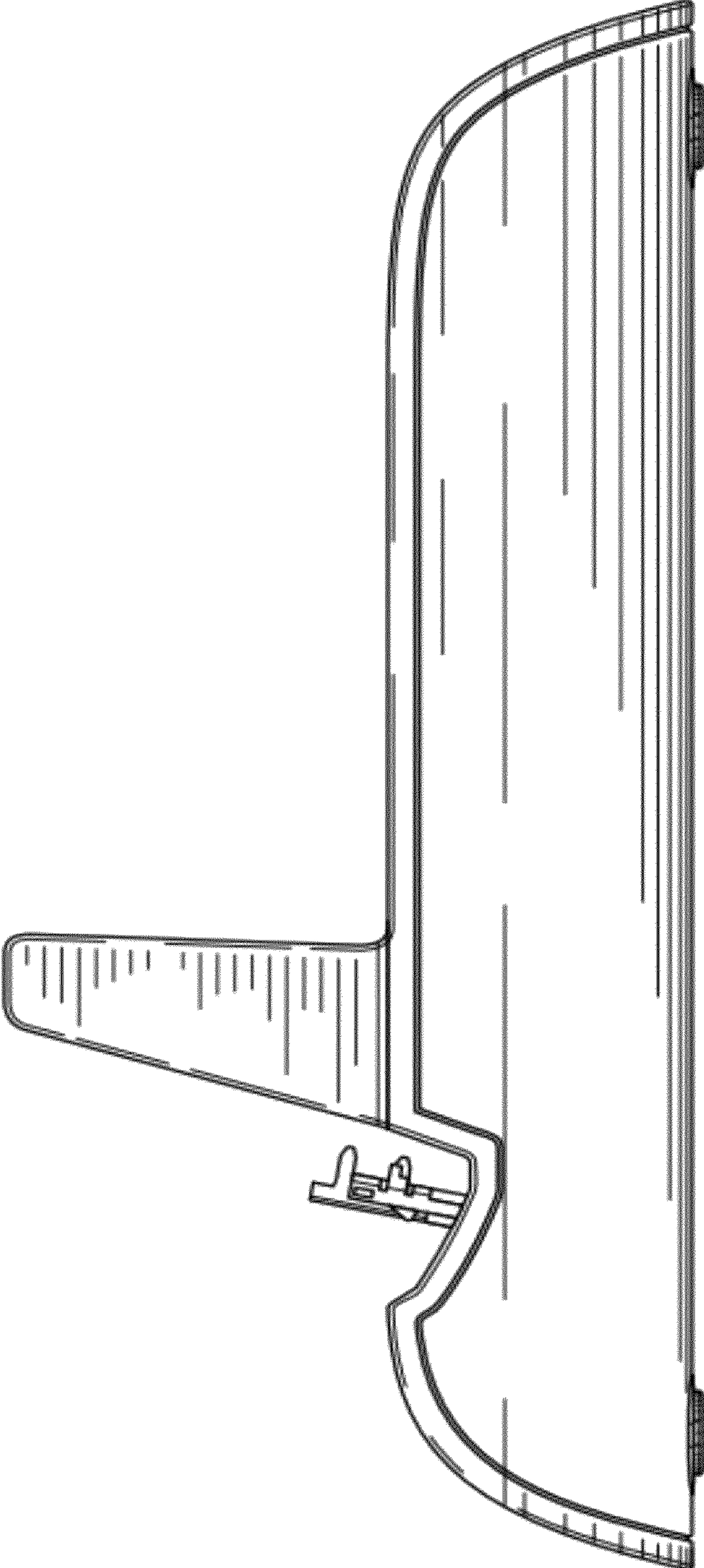


FIG. 5

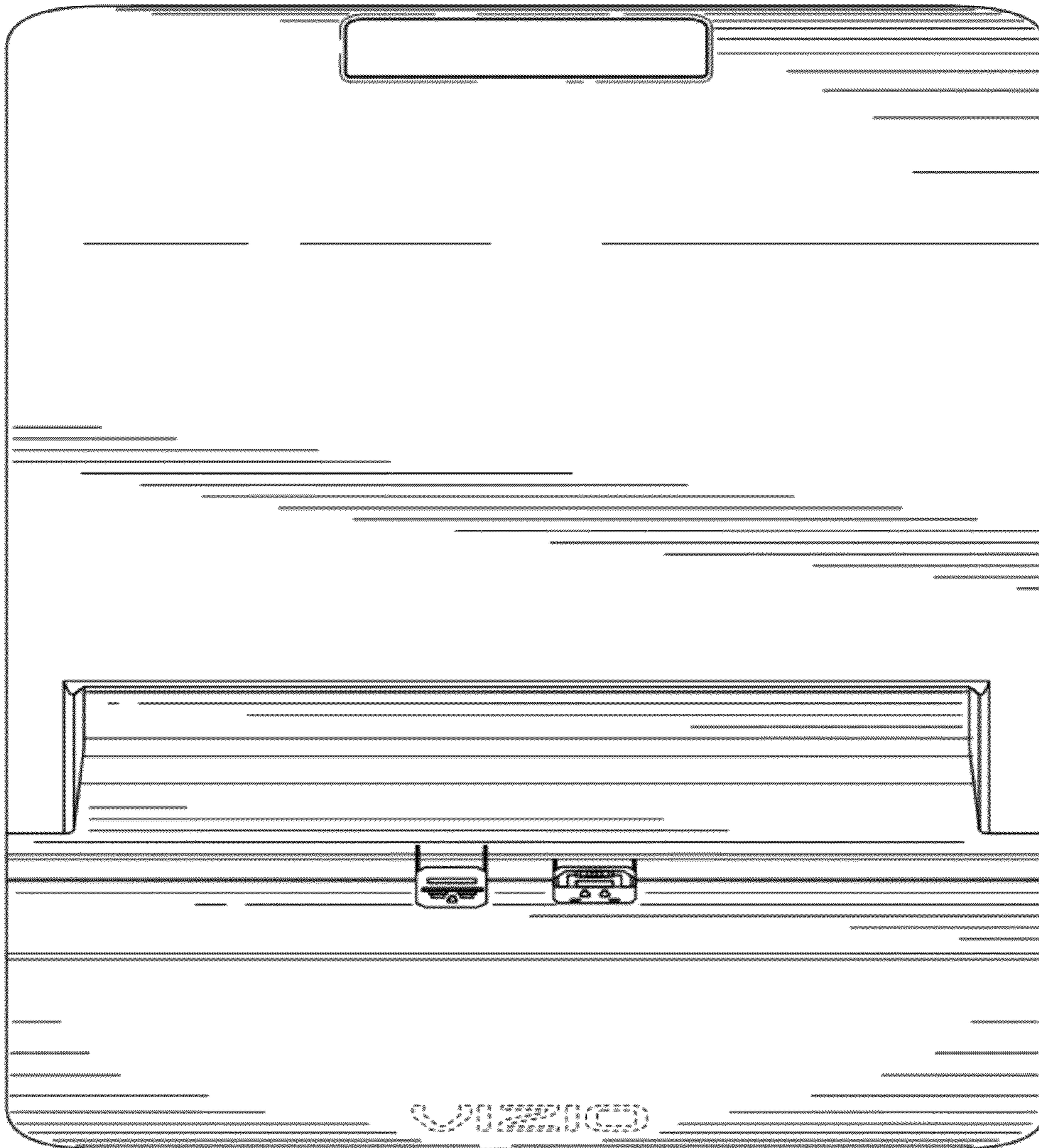


FIG. 6

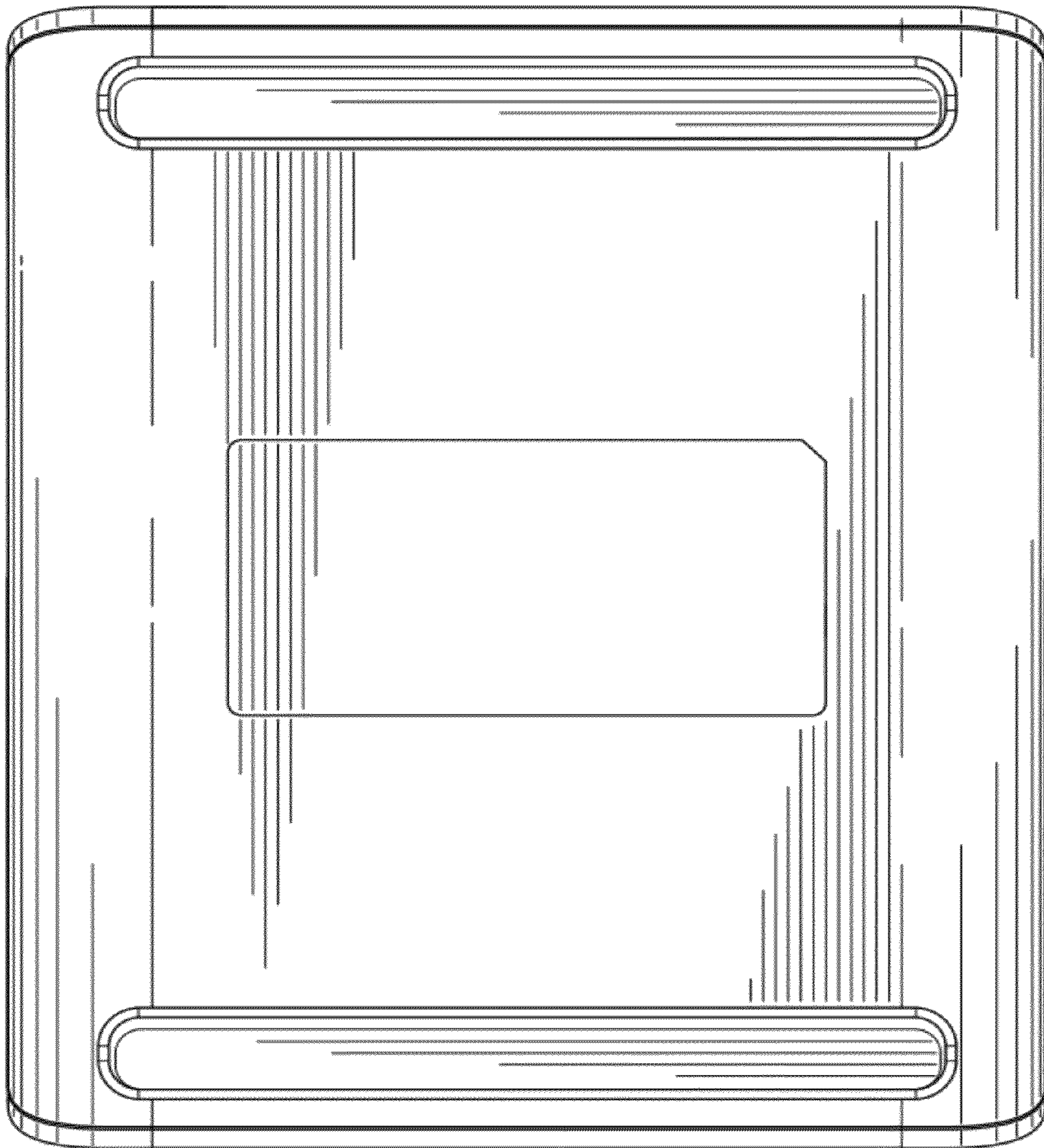


FIG. 7