



US00D664957S

(12) **United States Design Patent**
Kim

(10) **Patent No.:** **US D664,957 S**

(45) **Date of Patent:** **** Aug. 7, 2012**

(54) **LIQUID CRYSTAL DISPLAY (LCD) MONITOR**

(75) Inventor: **Young Se Kim**, Seoul (KR)

(73) Assignee: **LG Display Co., Ltd.**, Seoul (KR)

(**) Term: **14 Years**

(21) Appl. No.: **29/396,160**

(22) Filed: **Jun. 27, 2011**

(30) **Foreign Application Priority Data**

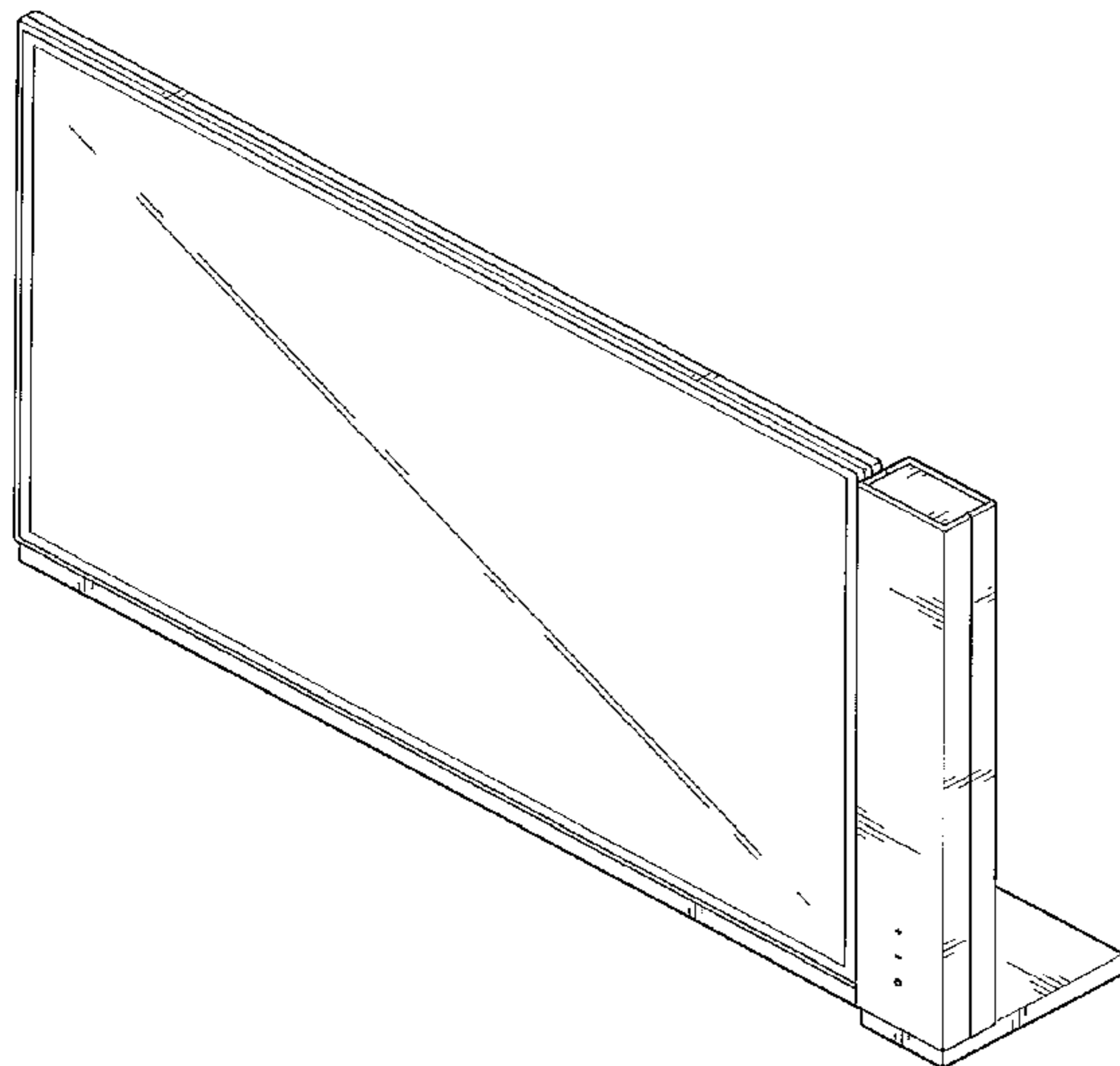
Dec. 29, 2010 (KR) 30-2010-0056439

(51) **LOC (9) Cl.** **14-02**

(52) **U.S. Cl.** **D14/374**

(58) **Field of Classification Search** D14/371-375,
D14/125-129, 336, 337; 341/12; 345/104,
345/156, 168, 173; 348/180, 184, 325, 739;
349/1, 2, 11, 62; 361/679.05-679.07, 679.21;
D6/300, 308

See application file for complete search history.



(56) **References Cited**

U.S. PATENT DOCUMENTS

| | | | | | | |
|-----------|---|---|---------|-------------------|-------|---------|
| D314,564 | S | * | 2/1991 | Grundstrom et al. | | D14/375 |
| 6,067,082 | A | * | 5/2000 | Enmei | | 345/174 |
| D439,901 | S | * | 4/2001 | Ono et al. | | D14/375 |
| D524,312 | S | * | 7/2006 | Young | | D14/375 |
| D539,797 | S | * | 4/2007 | Chiang et al. | | D14/337 |
| D556,707 | S | * | 12/2007 | Fujii | | D14/126 |
| D598,444 | S | * | 8/2009 | Xie et al. | | D14/336 |

* cited by examiner

Primary Examiner — Freda S Nunn

(74) *Attorney, Agent, or Firm* — Birch, Stewart, Kolasch & Birch, LLP

(57) **CLAIM**

The ornamental design for a liquid crystal display (LCD) monitor, as shown and described.

DESCRIPTION

FIG. 1 is a perspective view of a liquid crystal display (LCD) monitor showing my new design;
FIG. 2 is a front view thereof;
FIG. 3 is a rear view thereof;
FIG. 4 is a left side view thereof;
FIG. 5 is a right side view thereof;
FIG. 6 is a top plan view thereof; and,
FIG. 7 is a bottom plan view thereof.

1 Claim, 7 Drawing Sheets

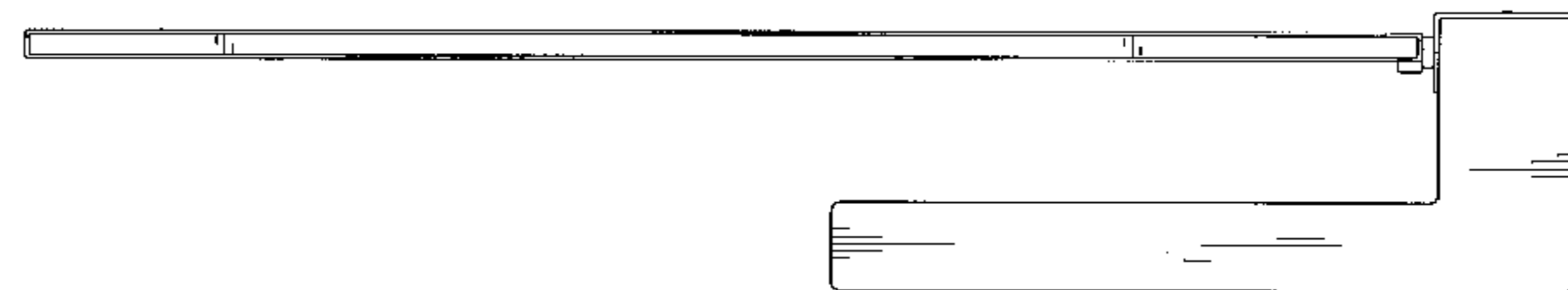


FIG. 1

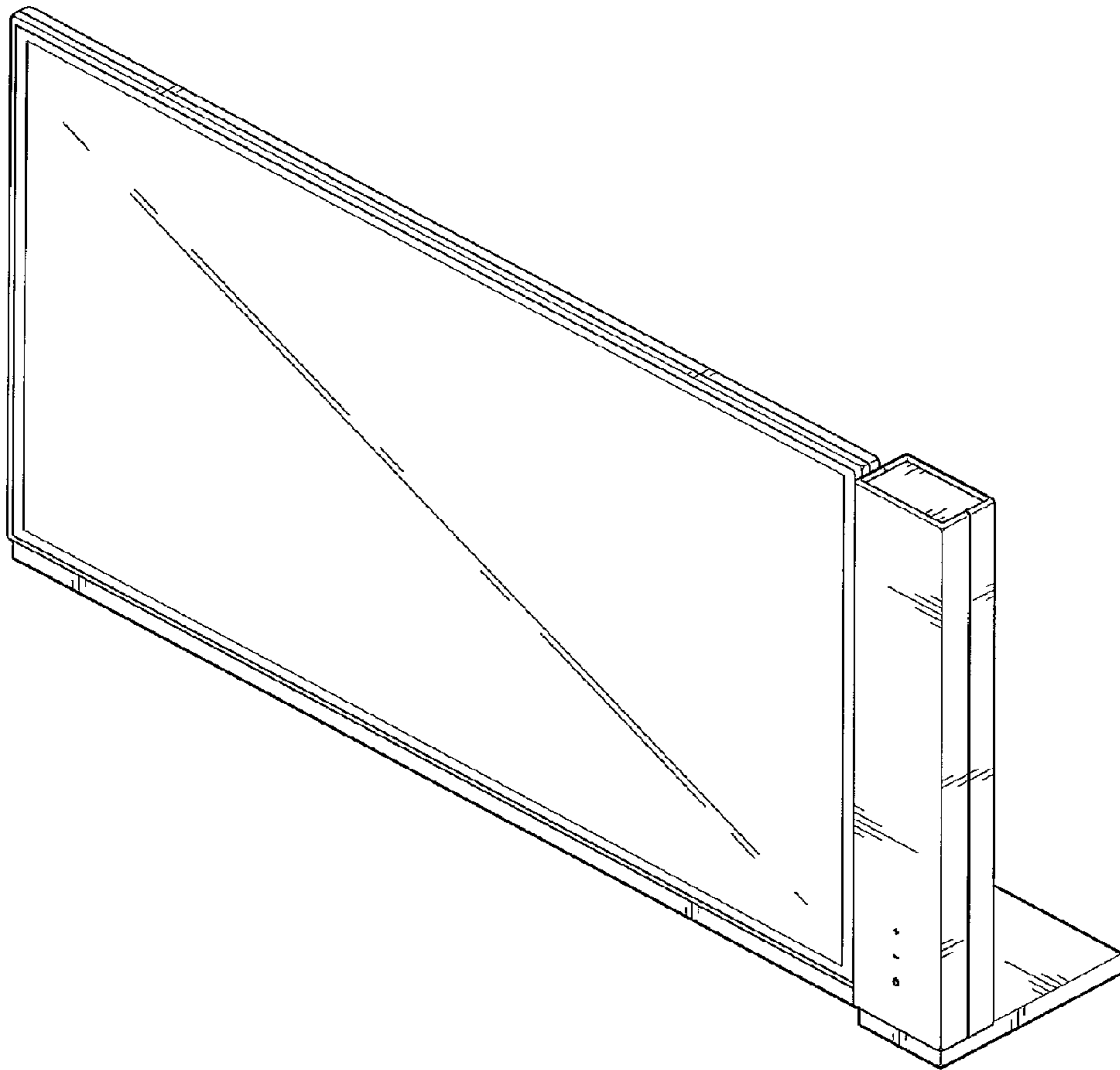


FIG. 2

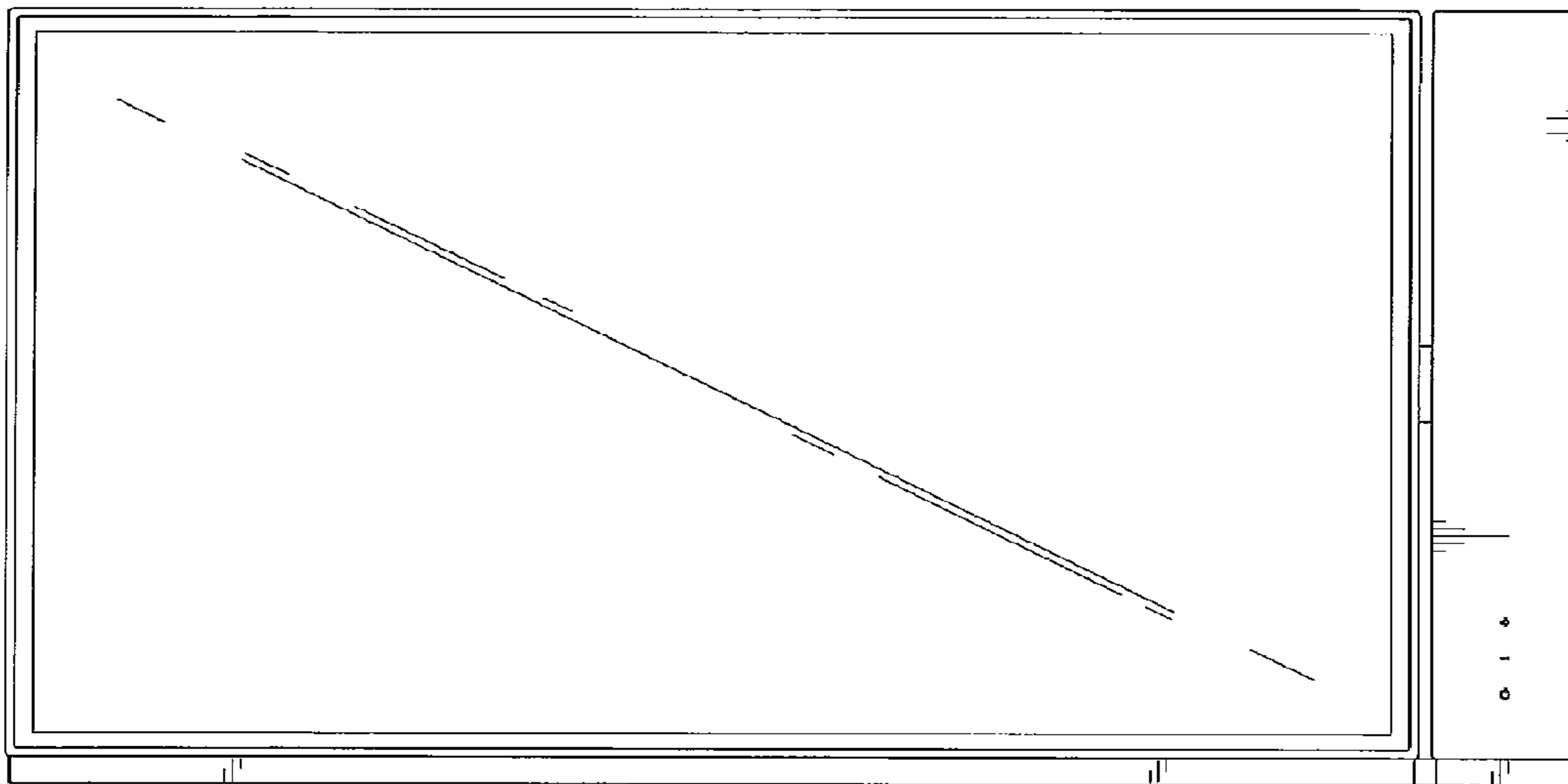


FIG. 3

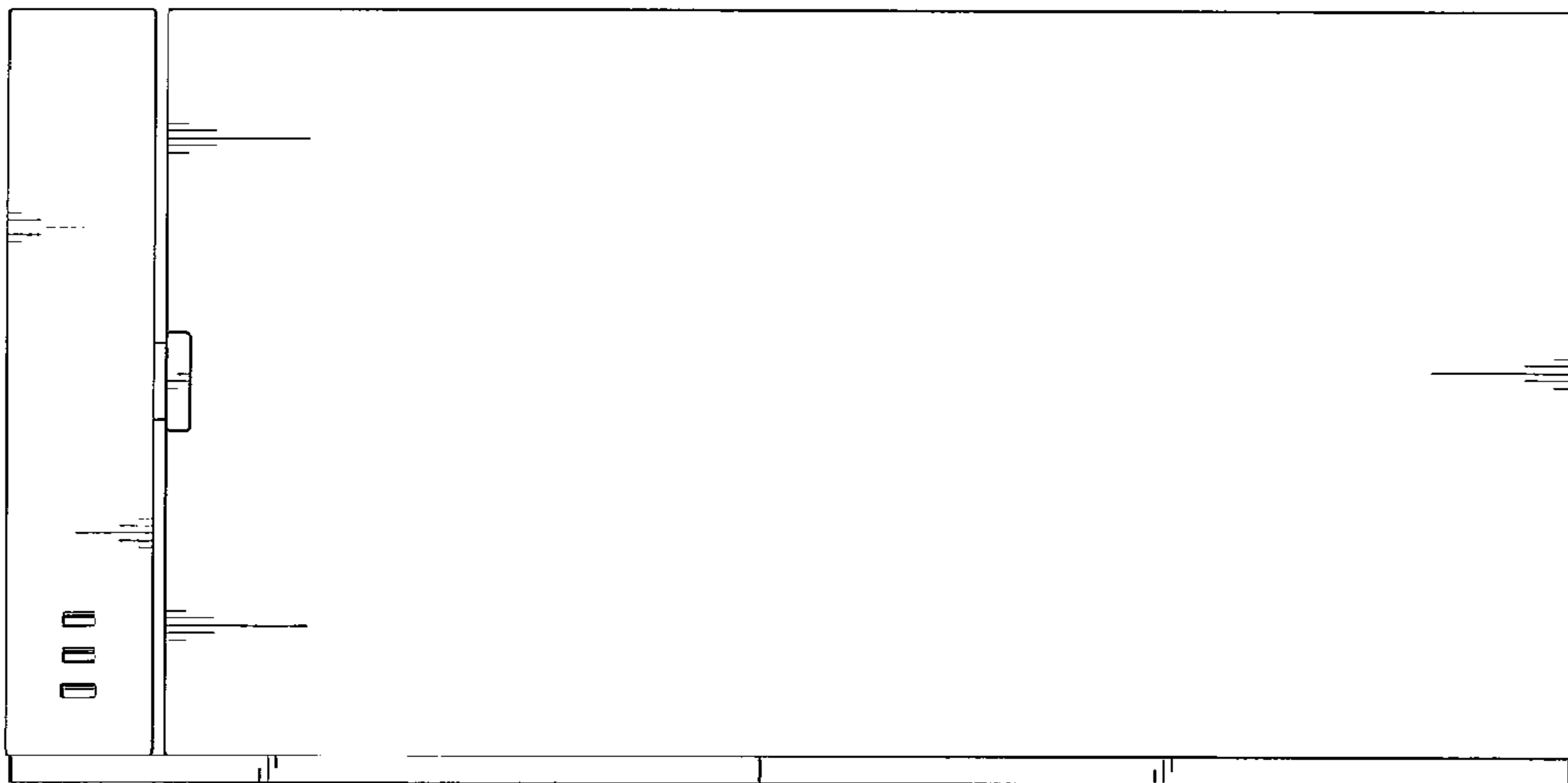


FIG. 4

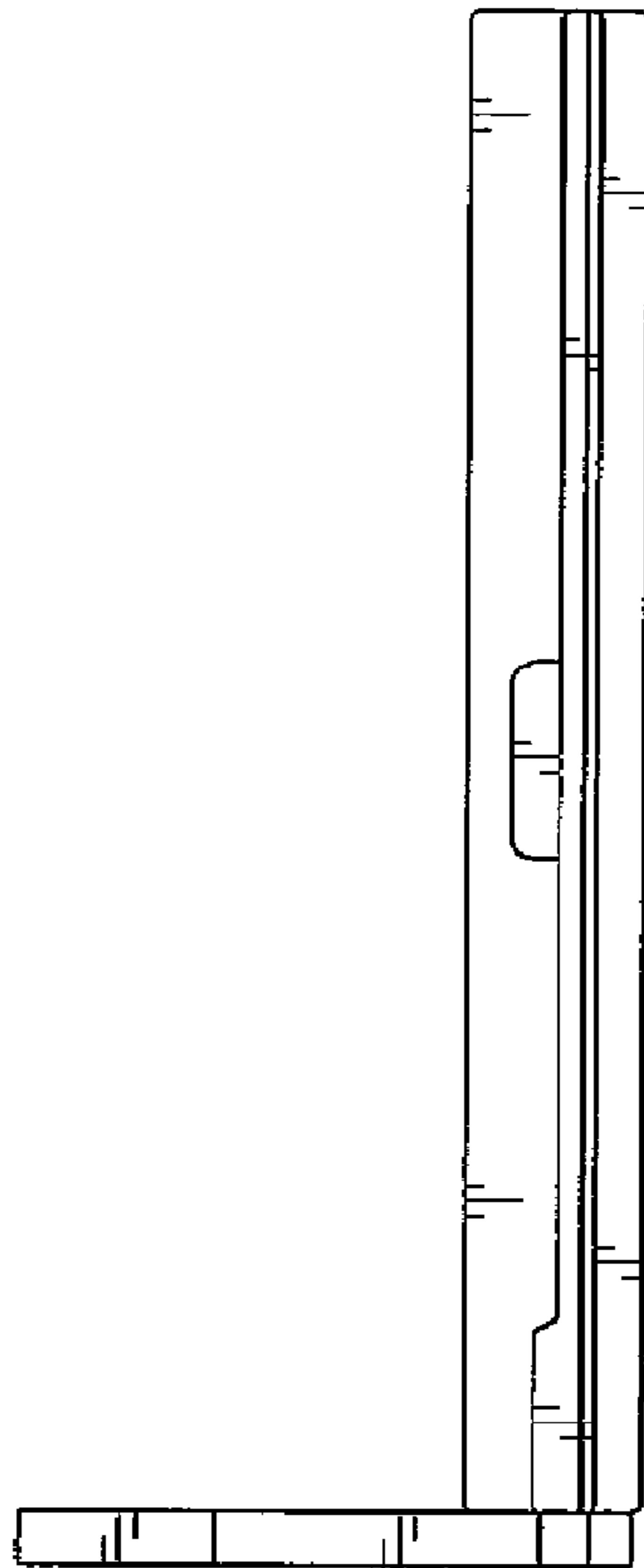


FIG. 5

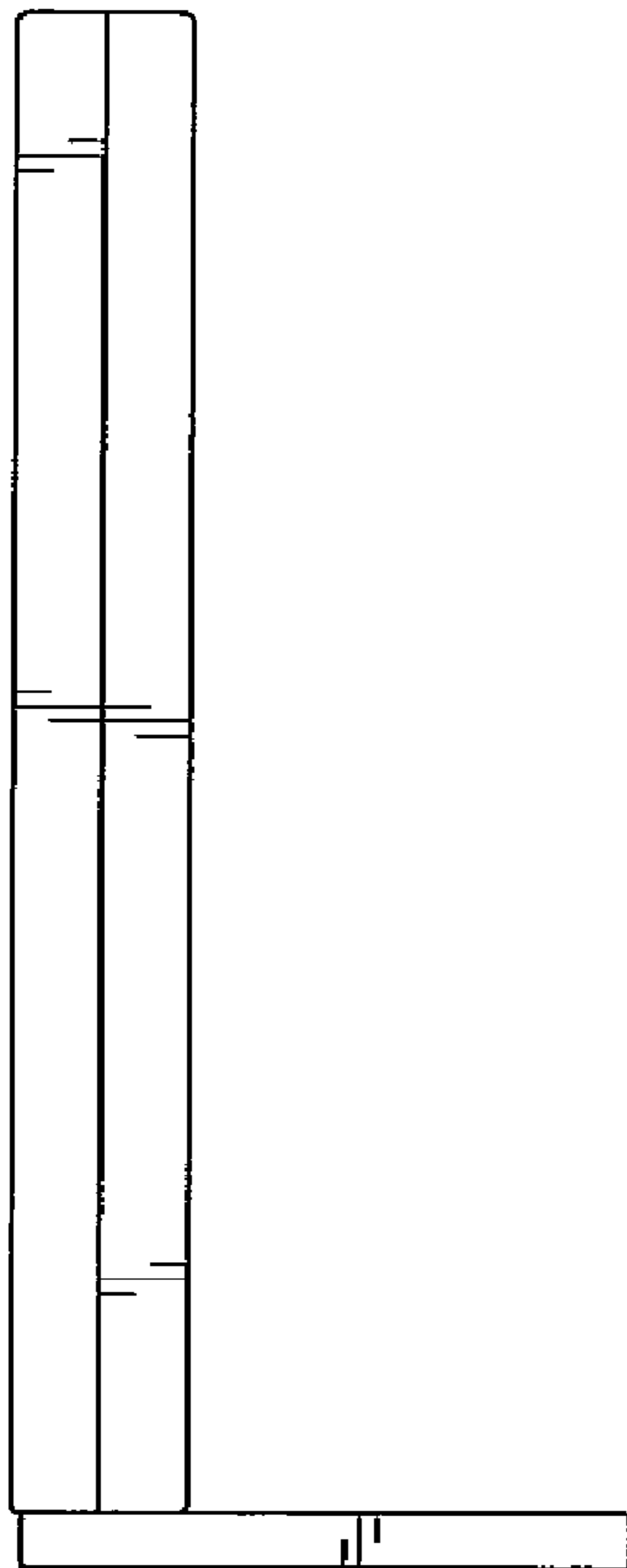


FIG. 6

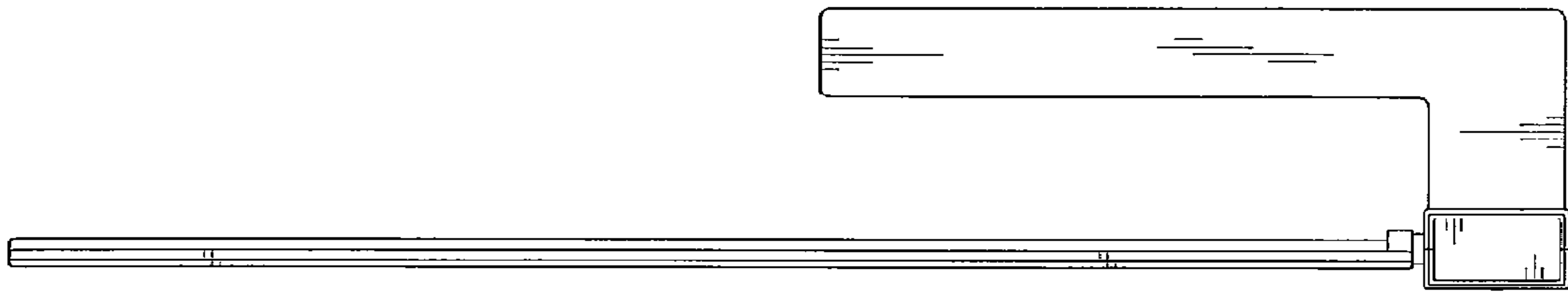


FIG. 7

