



US00D664952S

(12) **United States Design Patent**
Richter

(10) **Patent No.:** **US D664,952 S**

(45) **Date of Patent:** **** Aug. 7, 2012**

(54) **HEADREST MOUNT FOR ELECTRONIC DEVICES**

(76) Inventor: **Harald Richter**, Engelbrand (DE)

(**) Term: **14 Years**

(21) Appl. No.: **29/374,419**

(22) Filed: **Aug. 10, 2011**

(51) **LOC (9) Cl.** **14-03**

(52) **U.S. Cl.** **D14/253**

(58) **Field of Classification Search** D14/140,
D14/217, 224, 224.1, 229, 240, 243, 250–253,
D14/299, 344, 434, 447, 451–452, 483, 496;
D13/108; 361/679.41; 439/534; 320/115,
320/116, 107; D8/355, 363; D12/415, 418;
379/449, 455, 165; 248/122.1, 127, 157,
248/205.8, 206.2, 279.1, 205.5, 309.1, 309.3,
248/352; D3/201, 218, 269, 273, 301; D11/79;
63/26

See application file for complete search history.

(56) **References Cited**

U.S. PATENT DOCUMENTS

D470,400 S *	2/2003	Fraser et al.	D8/396
D590,834 S *	4/2009	Richter	D14/253
D590,835 S *	4/2009	Richter	D14/447
D638,008 S *	5/2011	Richter	D14/253
7,980,521 B2 *	7/2011	Harr et al.	248/229.1
D645,033 S *	9/2011	Quong et al.	D14/253
D655,284 S *	3/2012	Richter	D14/253
2005/0006542 A1 *	1/2005	Henning et al.	248/274.1
2006/0278785 A1 *	12/2006	Wiesner et al.	248/231.71

* cited by examiner

Primary Examiner — Raphael Barkai

Assistant Examiner — Randall Gholson

(74) *Attorney, Agent, or Firm* — Klaus J. Bach

(57) **CLAIM**

The ornamental design for a headrest mount for electronic devices, as shown and described.

DESCRIPTION

FIG. 1 is a perspective view of a headrest mount for electronic devices;

FIG. 2 is a front view of the headrest mount for electronic devices shown in FIG. 1,

FIG. 3 is a bottom view of the headrest mount for electronic devices shown in FIG. 2,

FIG. 4 is a rear view of the headrest mount for electronic devices shown in FIG. 2,

FIG. 5 is a top view of the headrest mount for electronic devices shown in FIG. 1,

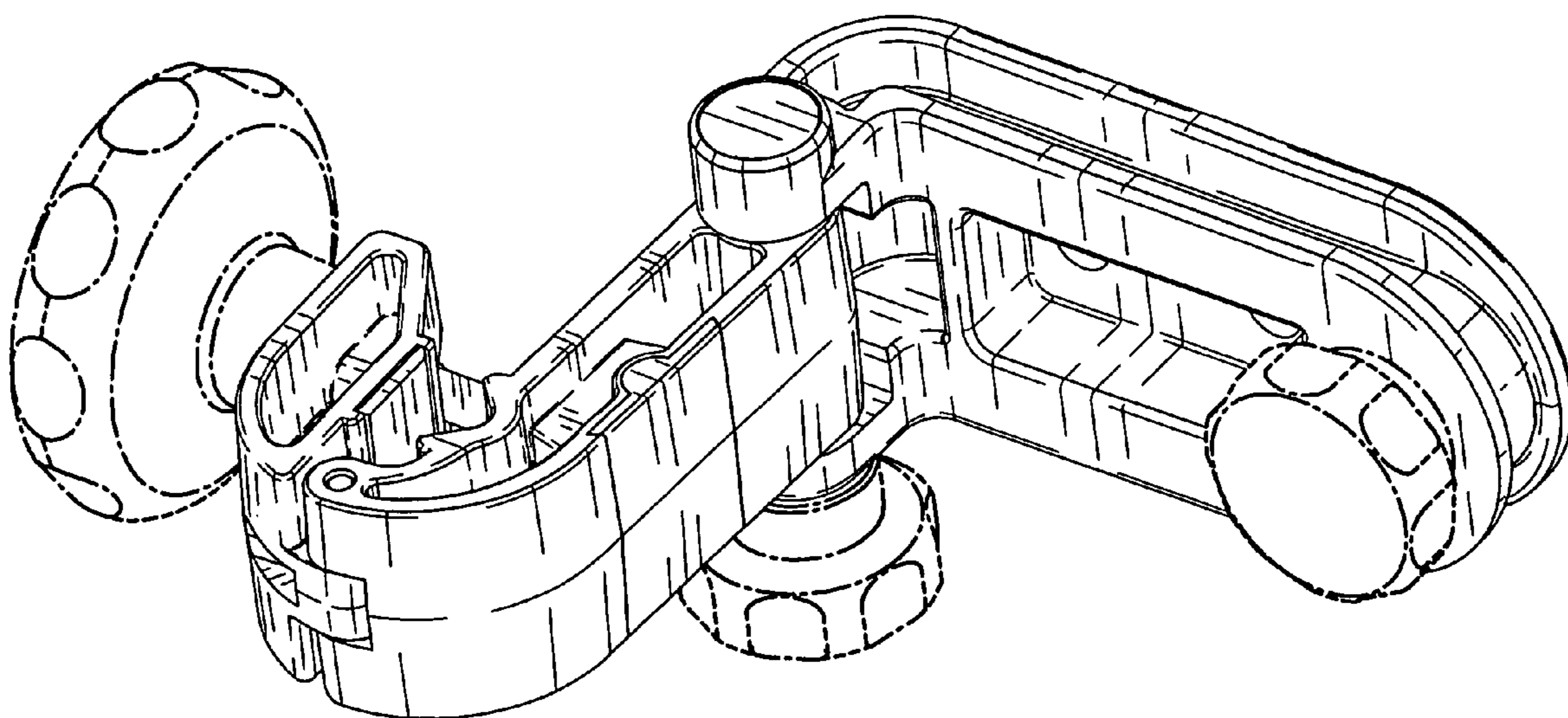
FIG. 6 is a right side view of the headrest mount for electronic devices shown in FIG. 2; and,

FIG. 7 is a left side view of the headrest mount for electronic devices as shown in FIG. 2.

The broken lines are included for the purpose of illustration only and form no part of the claimed design.

The headrest mount for electronic devices is used for supporting for example a telephone holder on a headrest column of a car.

1 Claim, 7 Drawing Sheets



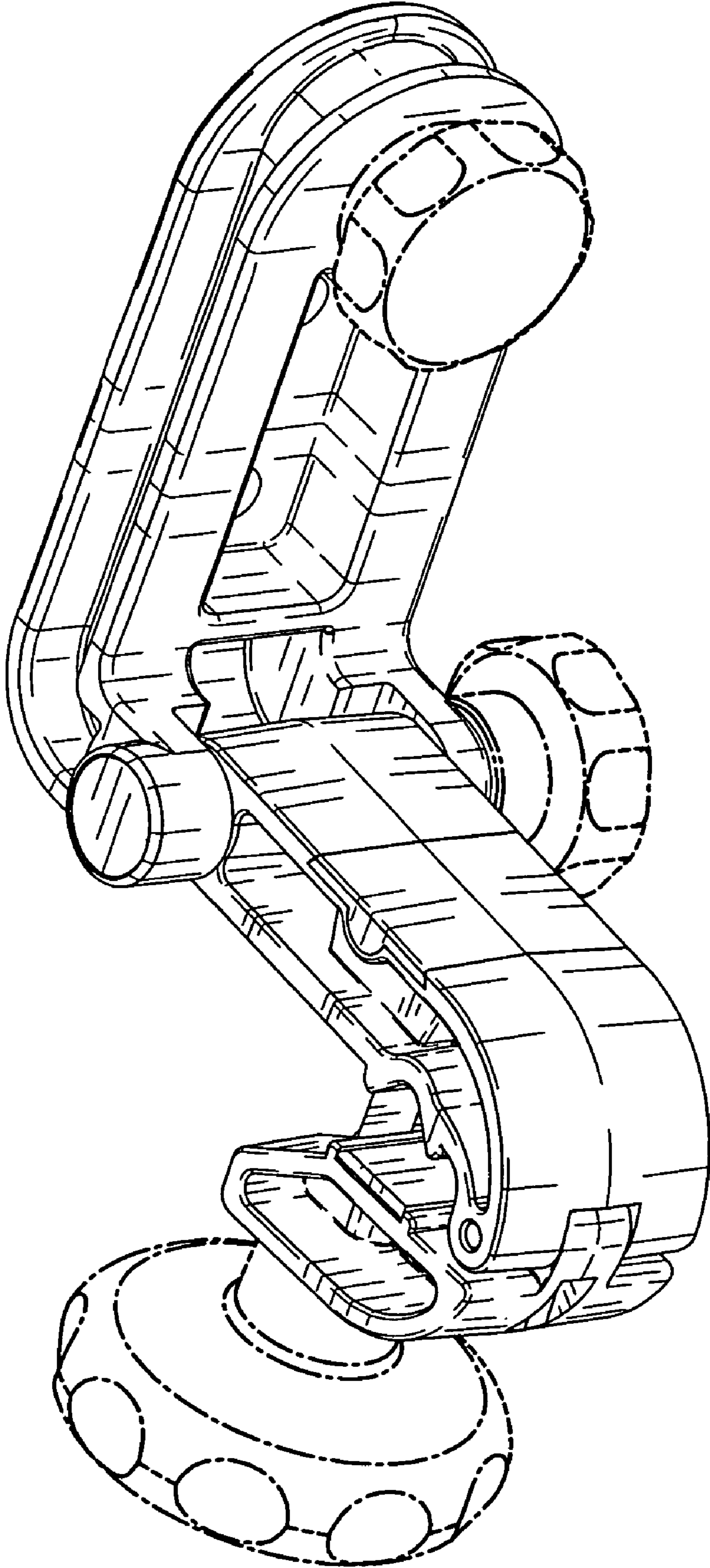
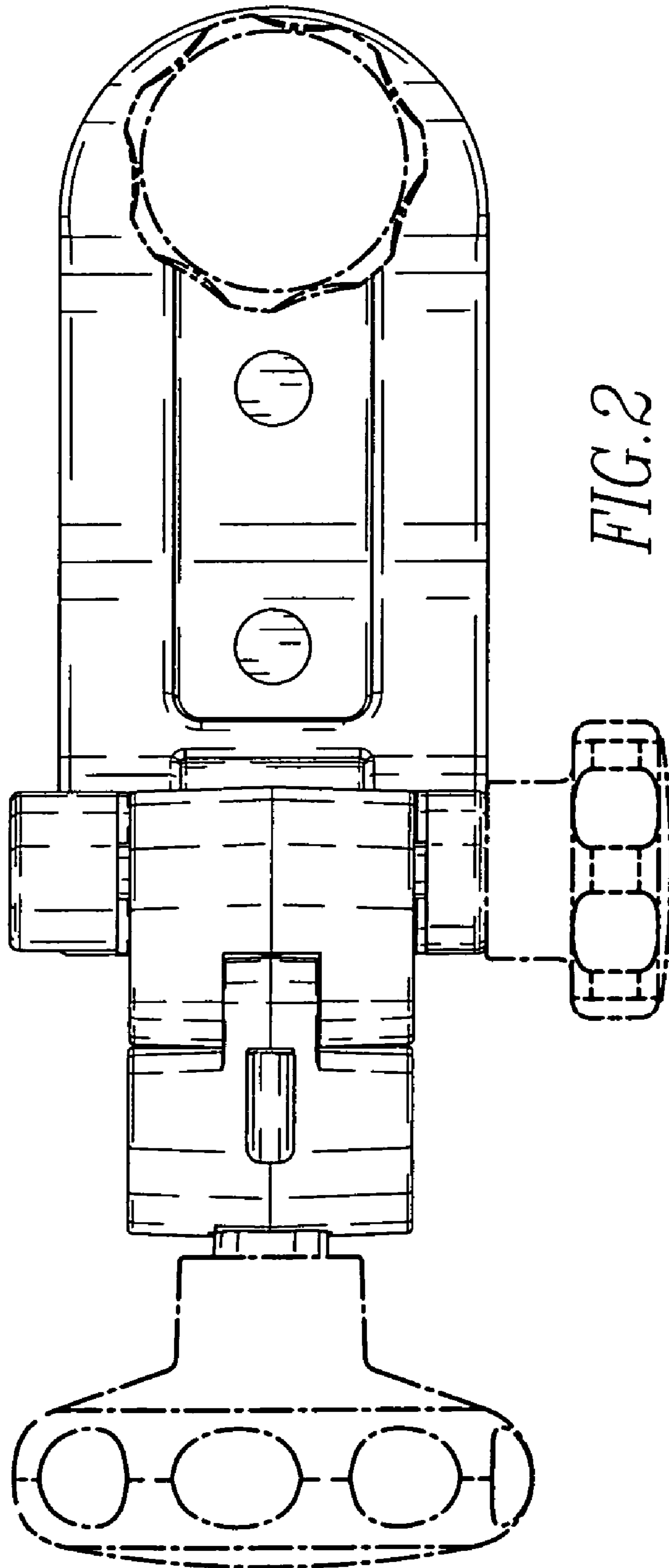


FIG. 1



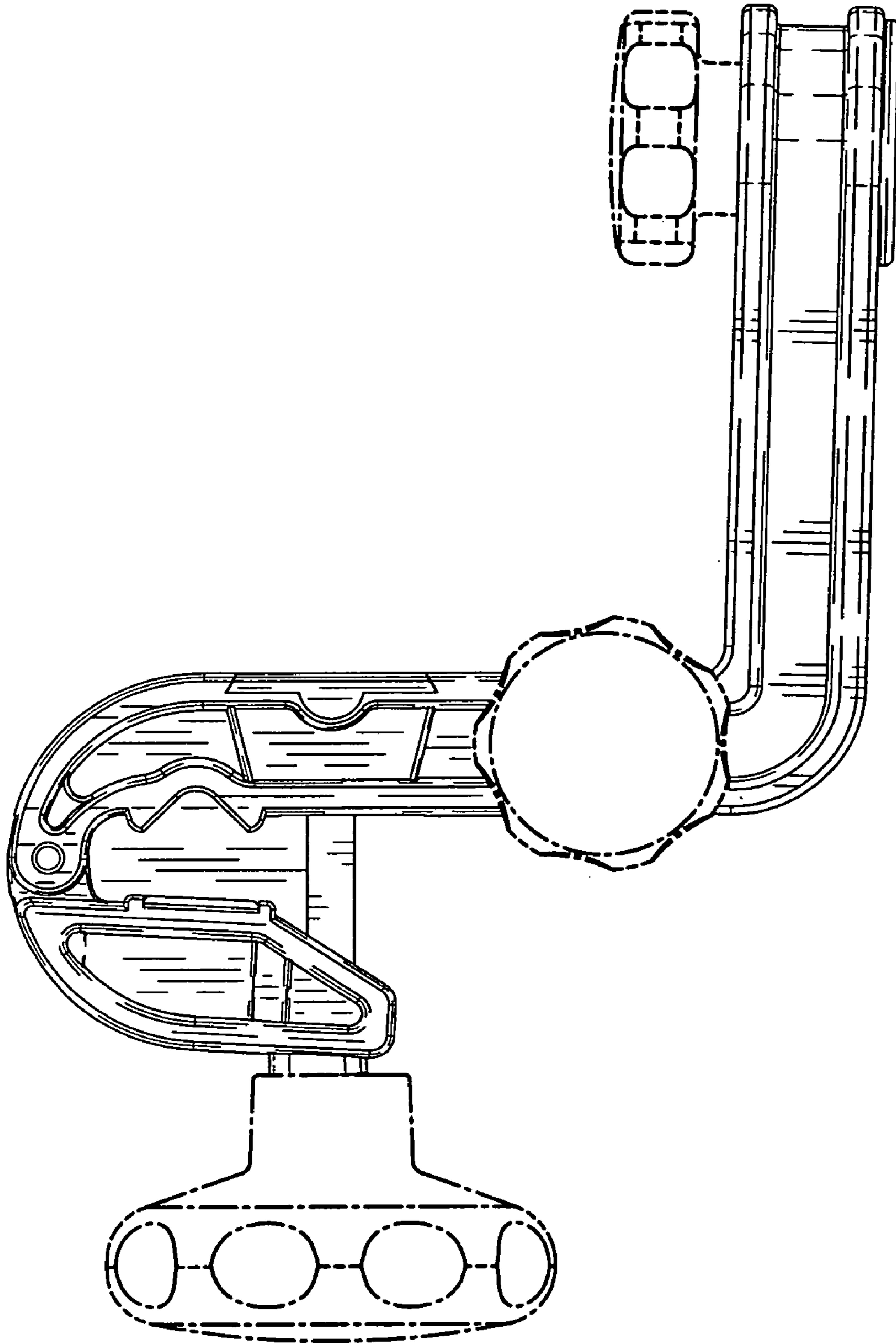


FIG. 3

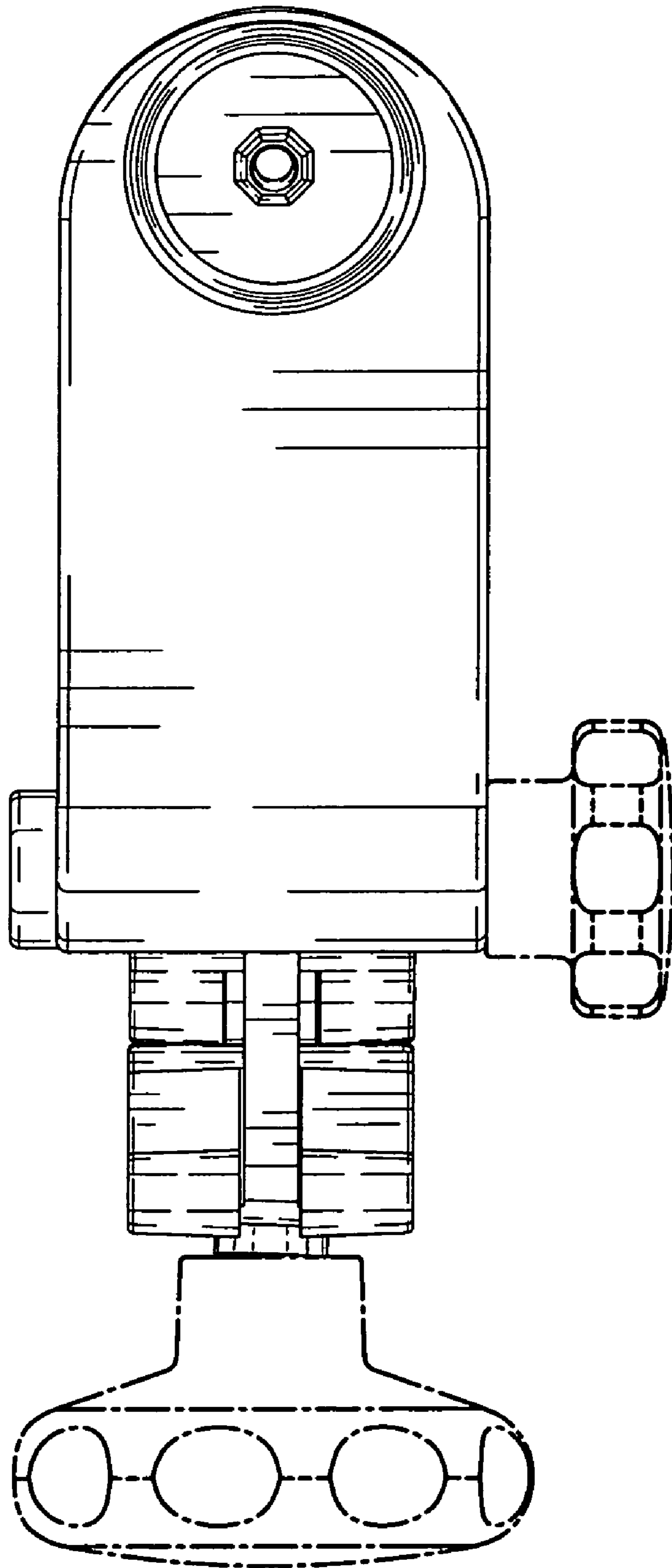


FIG. 4

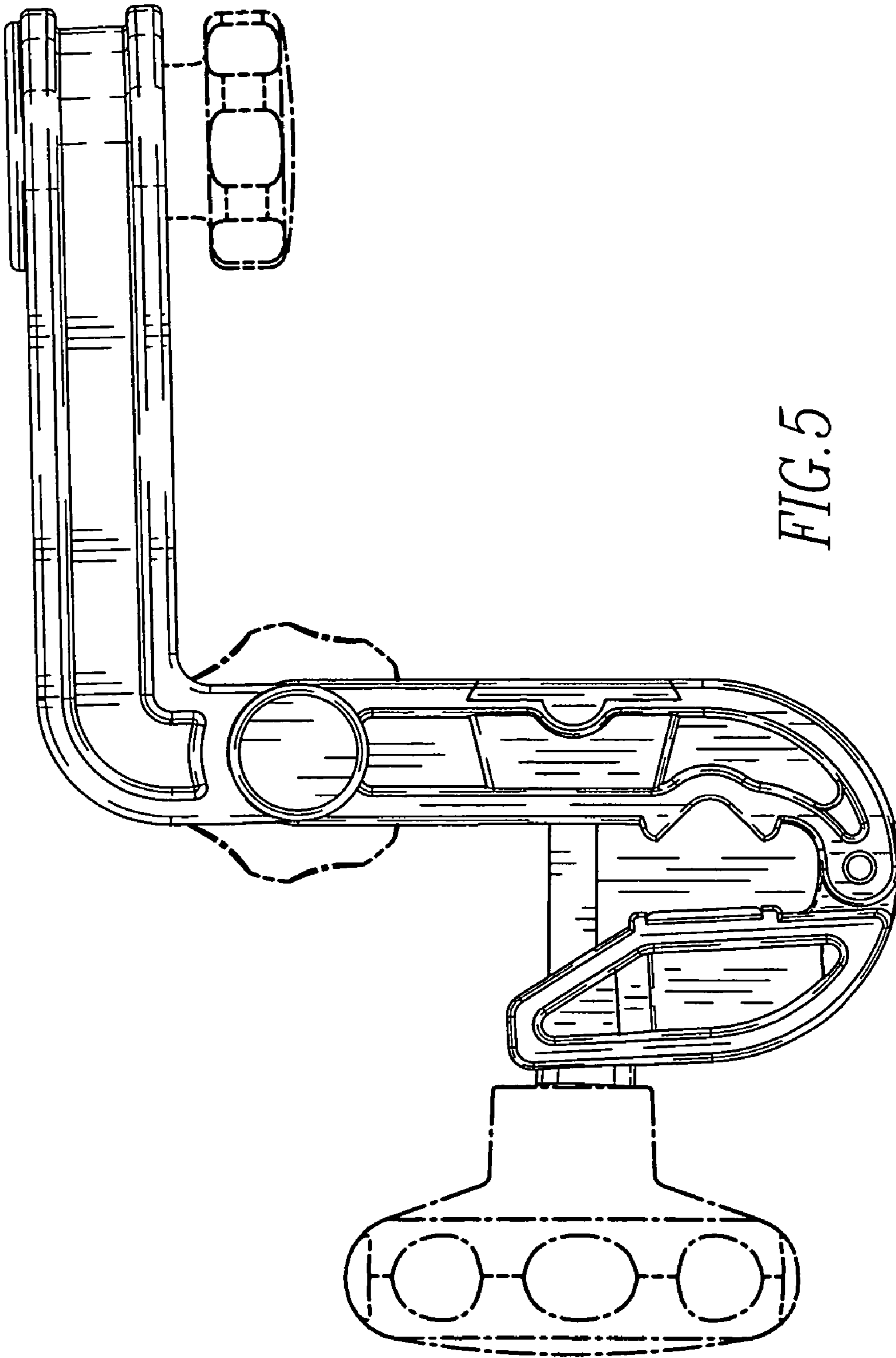


FIG. 5

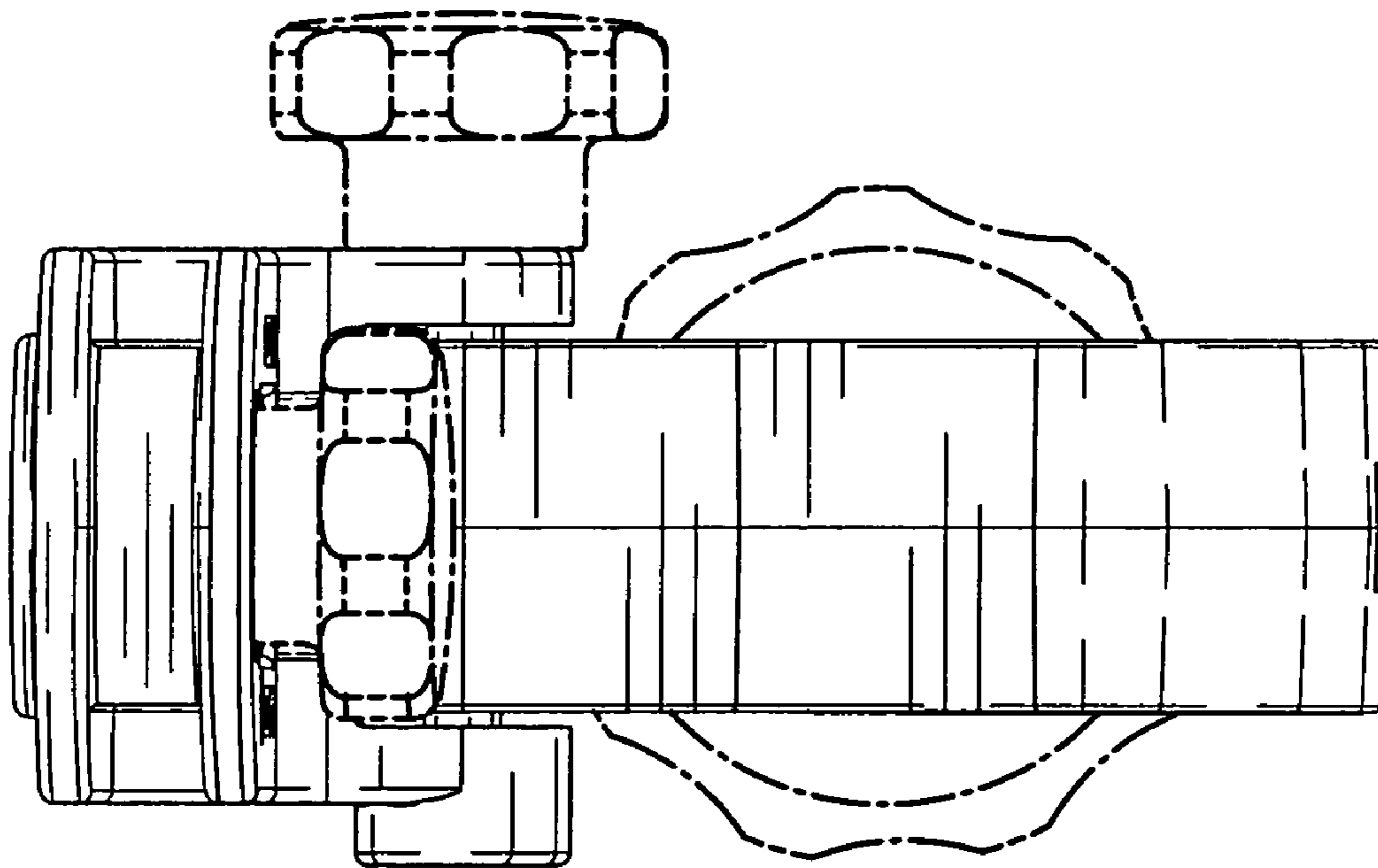


FIG. 6

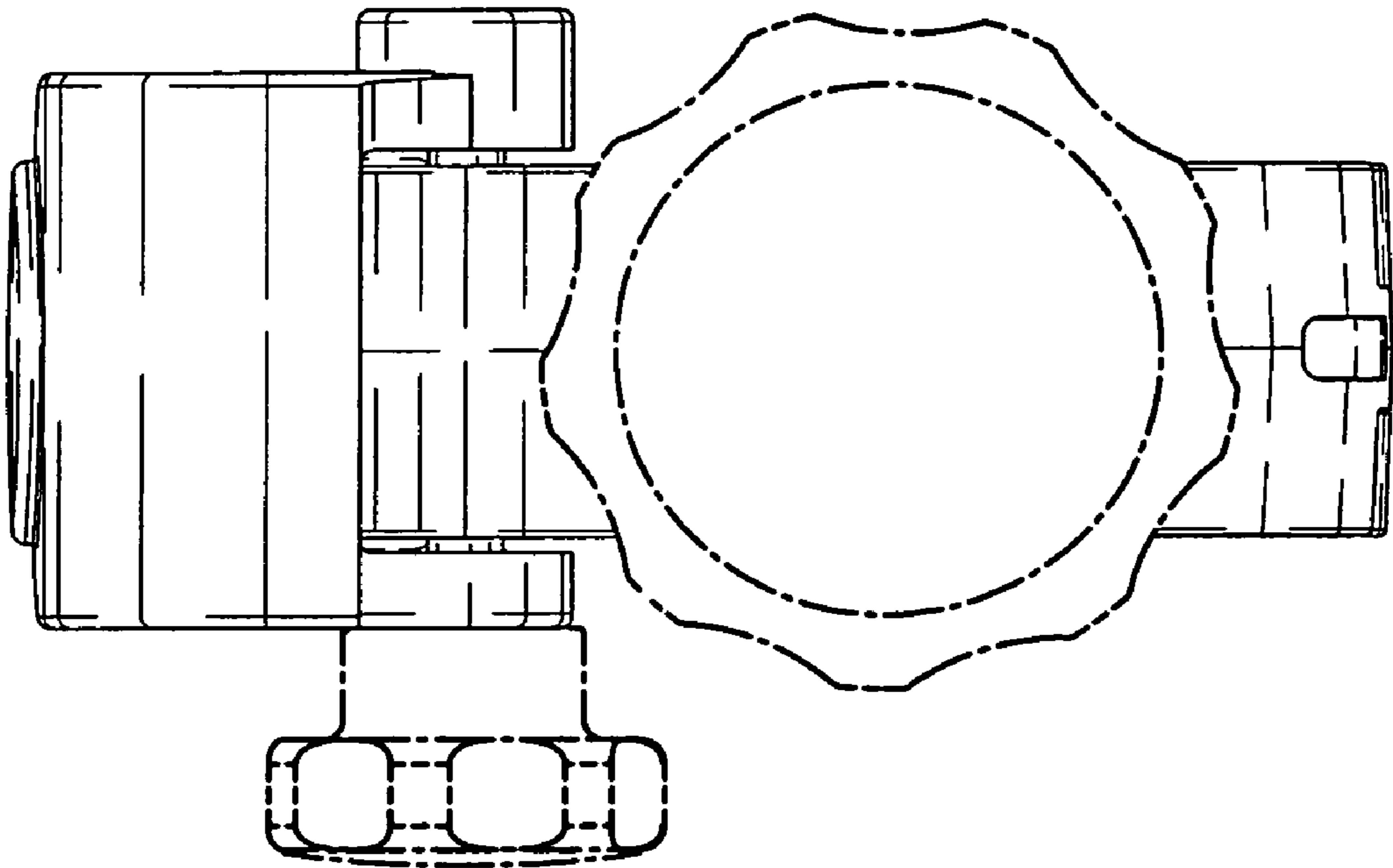


FIG. 7