



US00D664950S

(12) **United States Design Patent**
Rye et al.

(10) **Patent No.:** **US D664,950 S**
(45) **Date of Patent:** **** Aug. 7, 2012**

(54) **HEADSET FOR A COMMUNICATION DEVICE**

(75) Inventors: **Ryan P Rye**, Duluth, GA (US);
Christopher B Houghton, Chicago, IL (US);
Dickon Isaacs, Chicago, IL (US);
Joey Kao, Tucheng (TW)

(73) Assignee: **Motorola Mobility LLC**, Libertyville, IL (US)

(**) Term: **14 Years**

(21) Appl. No.: **29/386,052**

(22) Filed: **Feb. 24, 2011**

(51) **LOC (9) Cl.** **14-01**

(52) **U.S. Cl.** **D14/223**

(58) **Field of Classification Search** D14/205,
D14/206, 223, 238.1, 218, 248; 181/129,
181/130, 135; 379/430, 431; 381/380, 381;
D13/168

See application file for complete search history.

(56) **References Cited**

U.S. PATENT DOCUMENTS

D306,853 S *	3/1990	Mayo et al.	D13/168
D405,796 S *	2/1999	Uehara	D14/218
D429,221 S *	8/2000	Picozza et al.	D13/168
D450,337 S *	11/2001	Hamamura	D16/237
D538,271 S *	3/2007	Kim et al.	D14/223
D559,836 S *	1/2008	Lee	D14/223
D581,396 S *	11/2008	Wikel et al.	D14/206
D582,387 S *	12/2008	Jung	D14/205
D582,397 S *	12/2008	Christopher	D14/223
D582,897 S *	12/2008	Christopher et al.	D14/223
D588,113 S *	3/2009	Bradford	D14/223
D590,377 S *	4/2009	Bradford	D14/223
D596,165 S *	7/2009	Henning	D14/223
D598,900 S *	8/2009	Wikel et al.	D14/223

D602,007 S *	10/2009	Lee et al.	D14/223
D603,378 S *	11/2009	Paradise	D14/223
D604,722 S *	11/2009	Mistry	D14/223
D609,695 S *	2/2010	Cigliano et al.	D14/205
D616,873 S *	6/2010	Olivier	D14/223
D624,904 S *	10/2010	Lim	D14/223
D626,947 S *	11/2010	Lee et al.	D14/223
D628,989 S *	12/2010	Lee et al.	D14/223
D629,396 S *	12/2010	Andre et al.	D14/223
D630,620 S *	1/2011	Lee et al.	D14/223
D636,381 S *	4/2011	Liner	D14/223
D640,242 S *	6/2011	Fahrendorff et al.	D14/223
D643,420 S *	8/2011	Huang	D14/223
D647,513 S *	10/2011	Ha et al.	D14/223
D649,957 S *	12/2011	Fahrendorff et al.	D14/223

* cited by examiner

Primary Examiner — Paula Greene

(57) **CLAIM**

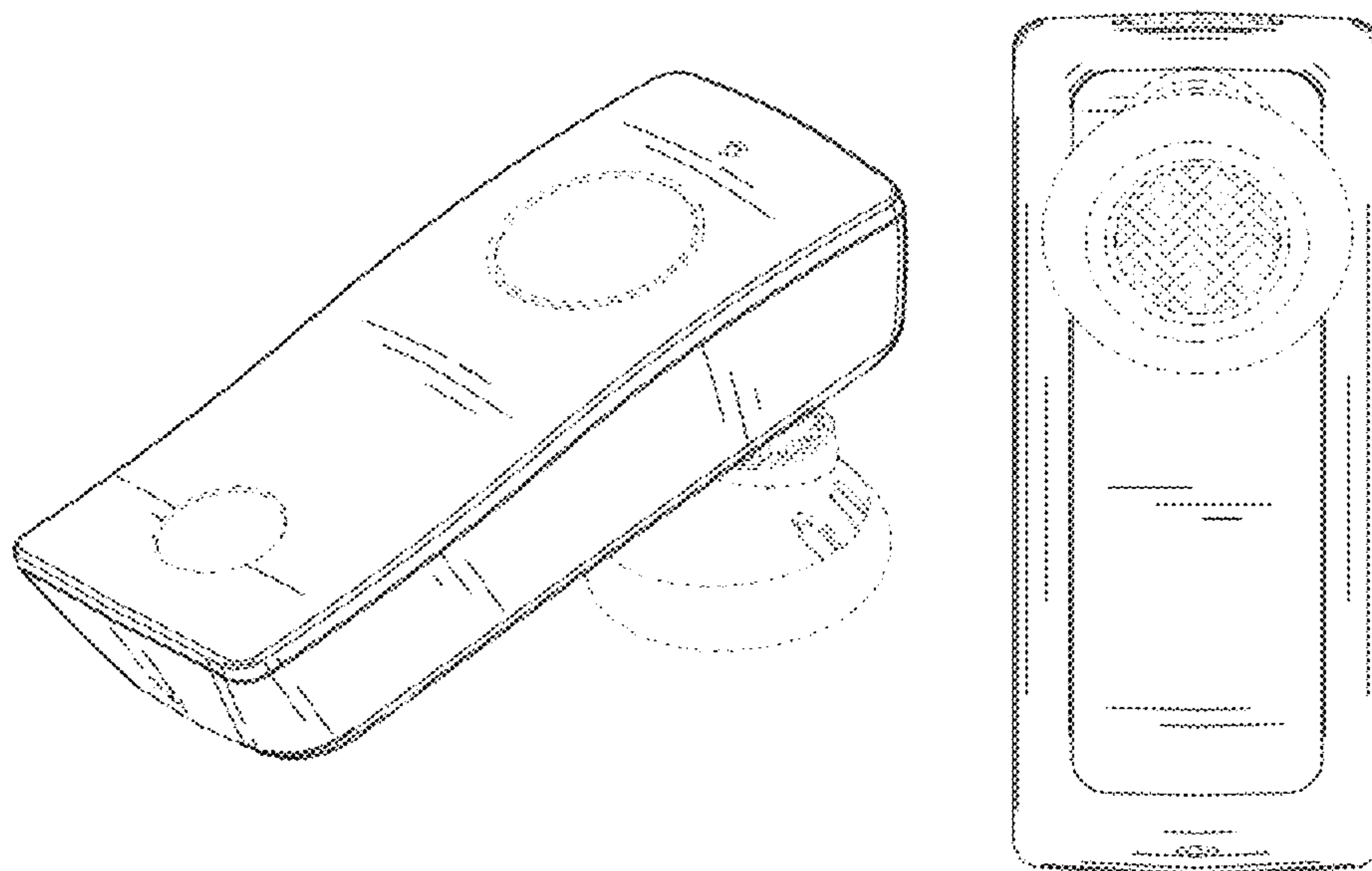
The ornamental design for a headset for a communication device, as shown and described.

DESCRIPTION

FIG. 1 is a front perspective view of a headset for a communication device showing our new design; FIG. 2 is a rear perspective view thereof; FIG. 3 is a front view thereof; FIG. 4 is a rear view thereof; FIG. 5 is a first side view thereof; FIG. 6 is a second side view thereof; FIG. 7 is a top view thereof; and, FIG. 8 is a bottom view thereof.

The broken lines shown in FIGS. 1-8, that are immediately adjacent to the shaded areas, and define unshaded regions, represent the bounds of the first embodiment, while all other broken lines are directed to environment and are for illustrative purposes only; the broken lines form no part of the first embodiment.

1 Claim, 6 Drawing Sheets



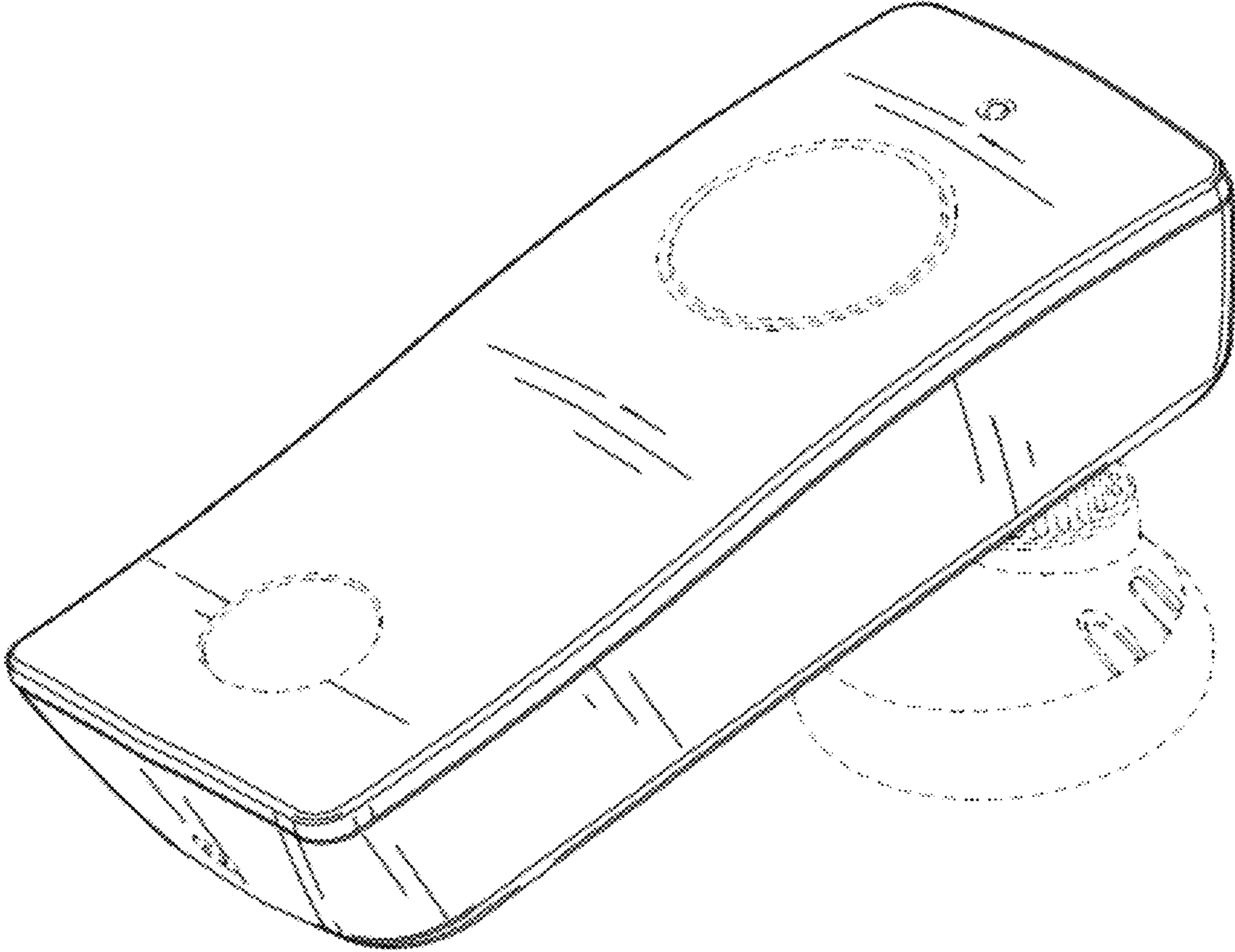


FIG. 1

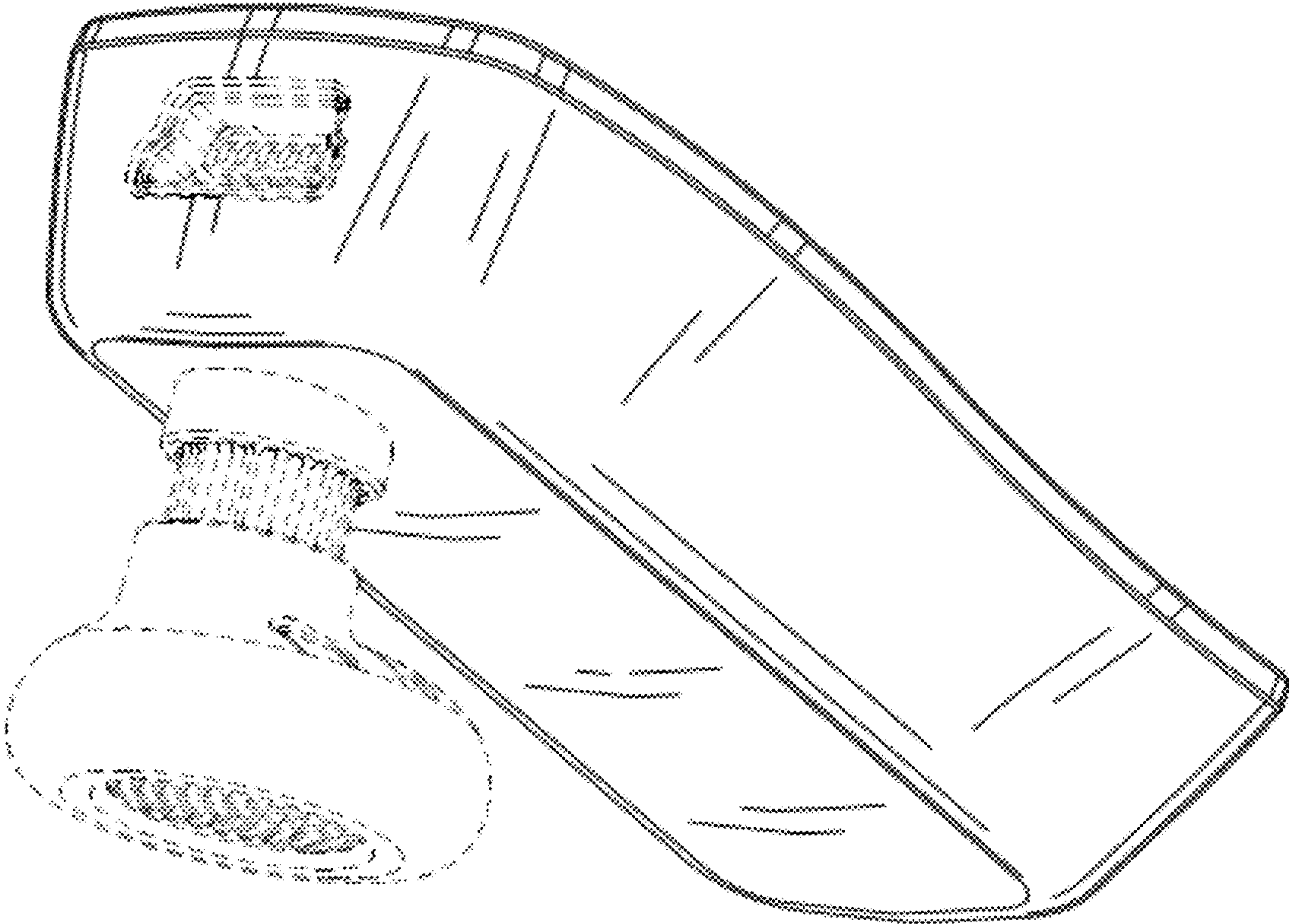


FIG. 2

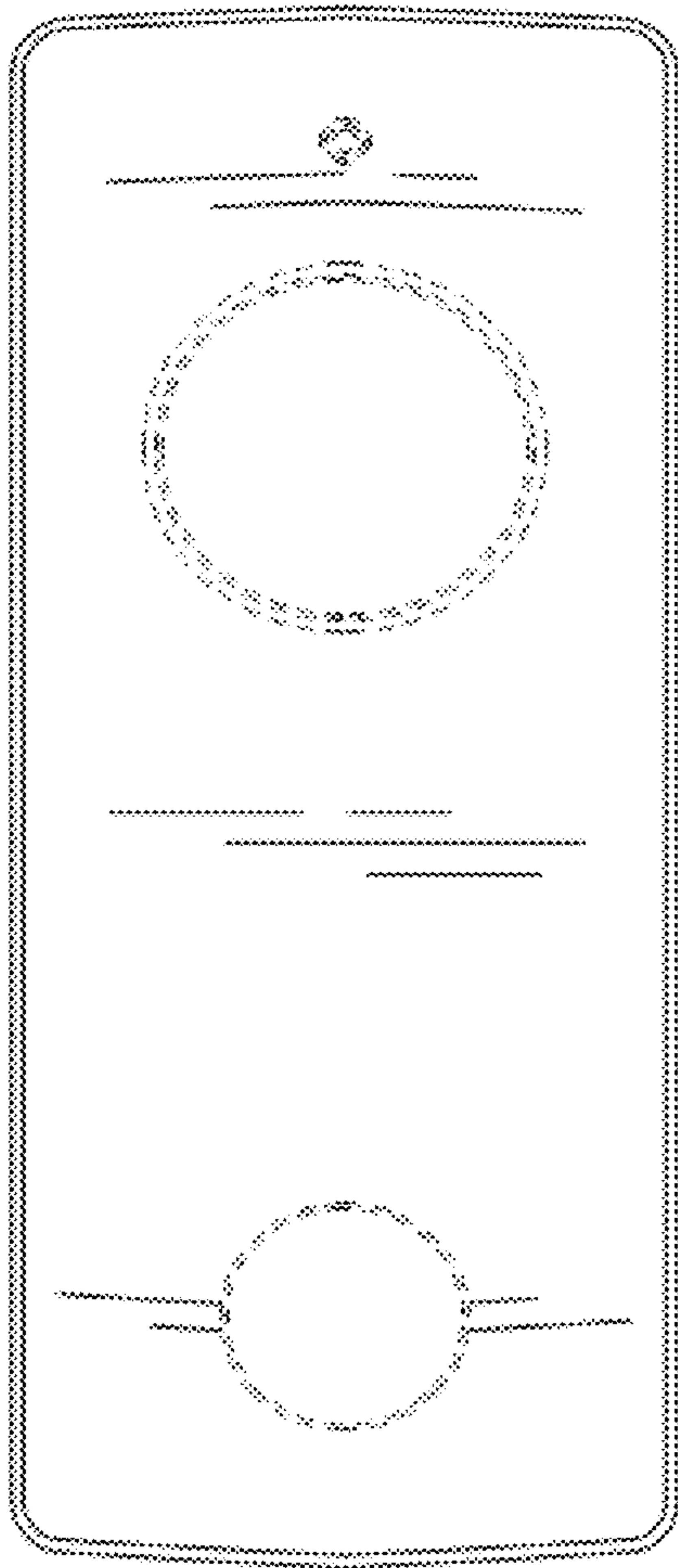


FIG. 3

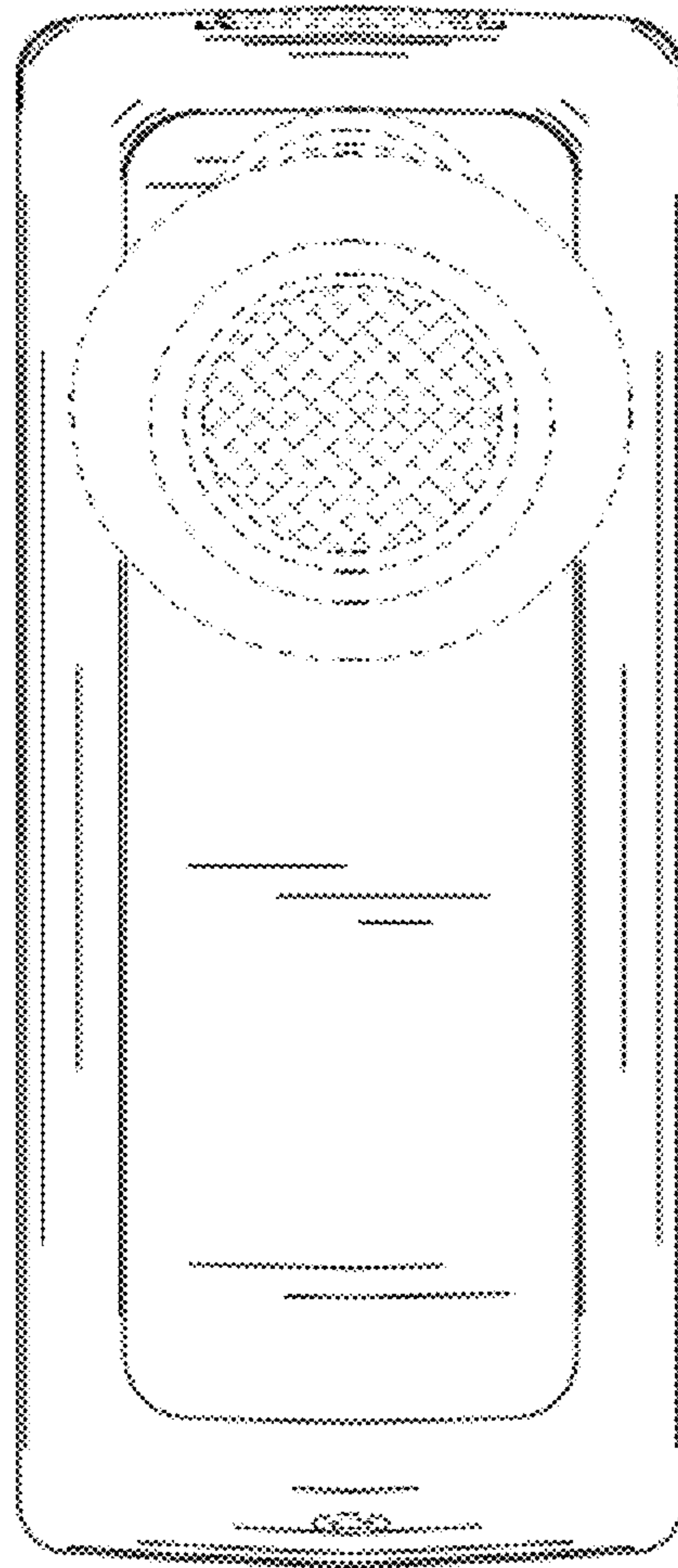


FIG. 4

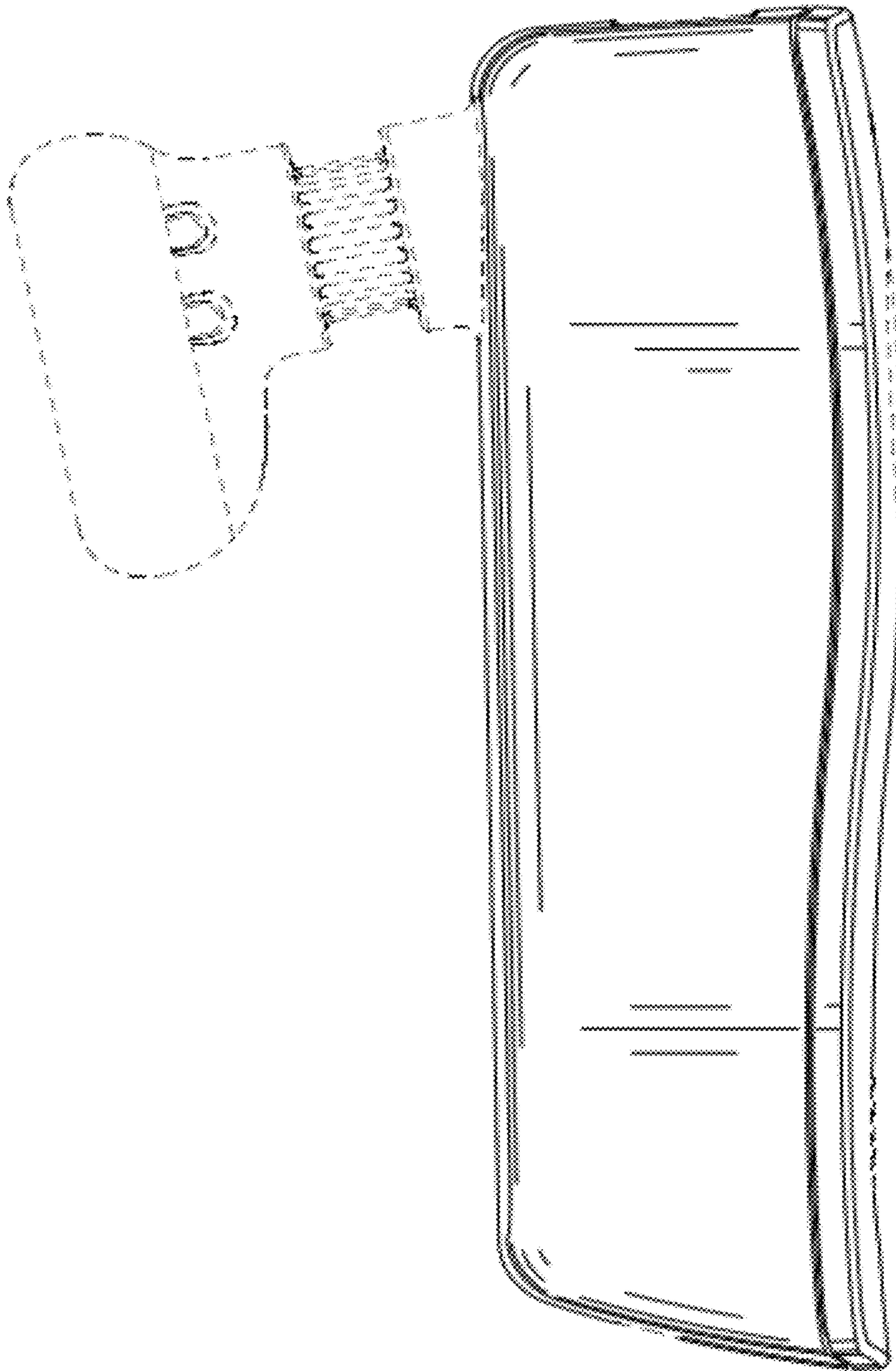


FIG. 5

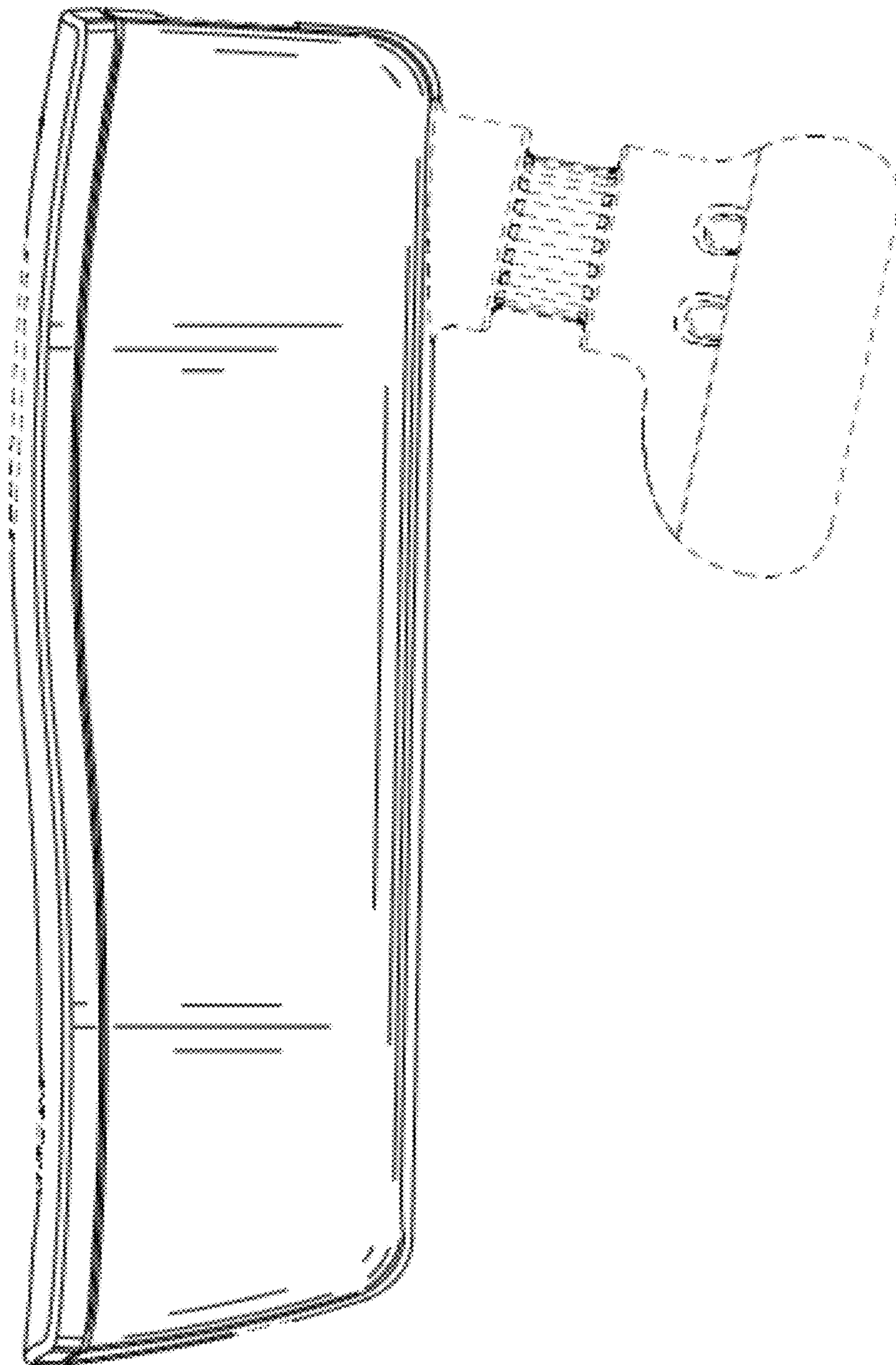


FIG. 6

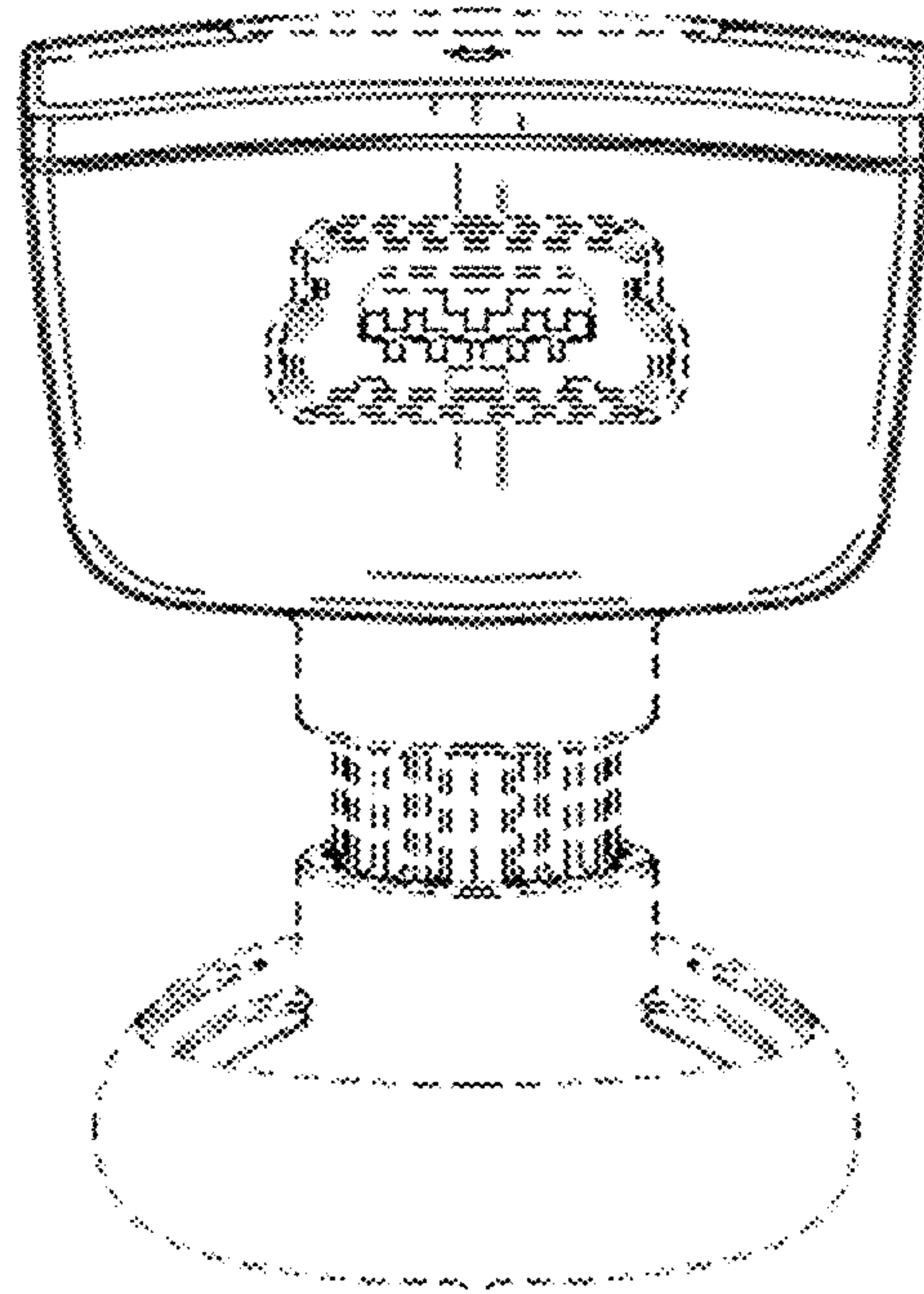


FIG. 7

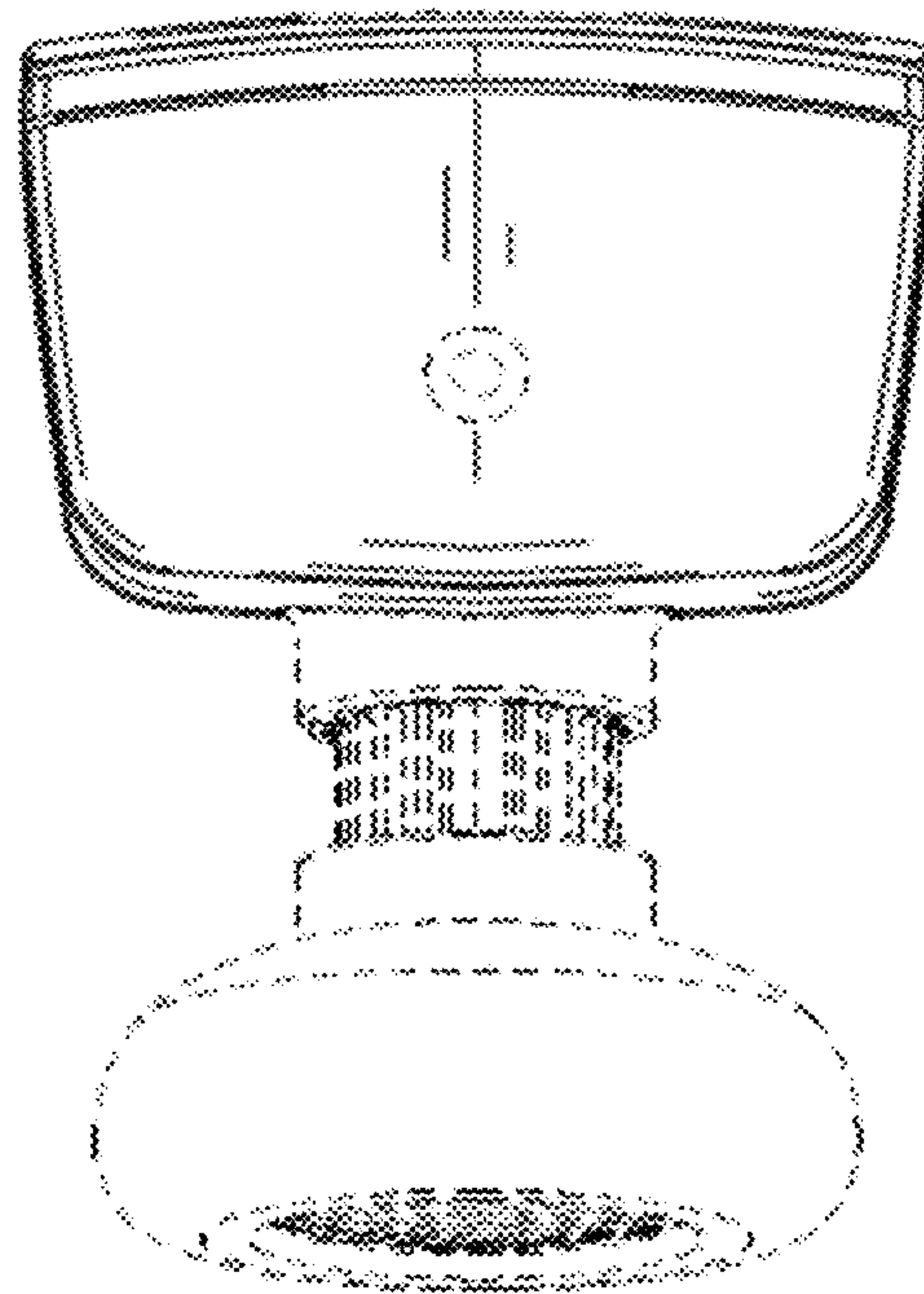


FIG. 8