



US00D664944S

(12) **United States Design Patent**
Lee et al.

(10) **Patent No.:** **US D664,944 S**

(45) **Date of Patent:** **** Aug. 7, 2012**

(54) **HEADPHONE ACCESSORY**

(75) Inventors: **Noel Lee**, Las Vegas, NV (US); **Jacky Hsiung**, San Jose, CA (US); **Jolie Clemens**, Santa Ana, CA (US)

(73) Assignee: **Monster Cable Products, Inc.**, Brisbane, CA (US)

(**) Term: **14 Years**

(21) Appl. No.: **29/413,198**

(22) Filed: **Feb. 13, 2012**

Related U.S. Application Data

(62) Division of application No. 29/369,269, filed on Sep. 3, 2010, now Pat. No. Des. 654,052.

(51) **LOC (9) Cl.** **14-01**

(52) **U.S. Cl.** **D14/205**

(58) **Field of Classification Search** D14/205, D14/206, 223; 181/129, 130, 135; 379/430, 379/431; 381/380, 381; 455/90.3, 575.1; D2/607, 608; 2/244, 245; 24/66.11; D11/81, D11/82, 83, 160; D21/621, 659, 660, 645, D21/648; D9/621, 625, 614; 446/376, 487; 434/429, 430; D19/59, 62

See application file for complete search history.

(56) **References Cited**

U.S. PATENT DOCUMENTS

D240,641 S * 7/1976 Haupt D21/647
D259,203 S * 5/1981 Goldfarb et al. D21/649

D272,843 S * 2/1984 Appel et al. D21/648
D354,533 S * 1/1995 Ryaa et al. D21/649
D405,722 S * 2/1999 Ayoub D11/162
D410,711 S * 6/1999 Kester et al. D21/648
D431,271 S * 9/2000 Hummel et al. D21/648
D506,791 S * 6/2005 Germano D21/648
D645,021 S * 9/2011 Lee et al. D14/205
D653,241 S * 1/2012 Lee et al. D14/223
D654,052 S * 2/2012 Lee et al. D14/205

* cited by examiner

Primary Examiner — Paula Greene

(74) *Attorney, Agent, or Firm* — LaRiviere, Grubman & Payne, LLP

(57) **CLAIM**

The ornamental design for a headphone accessory, as shown and described.

DESCRIPTION

FIG. 1 is a front perspective view of a headphone accessory, showing our new design in a use condition;

FIG. 2 is an enlarged front perspective view of a headphone accessory;

FIG. 3 is a front view thereof;

FIG. 4 is a rear view thereof;

FIG. 5 is a side view thereof;

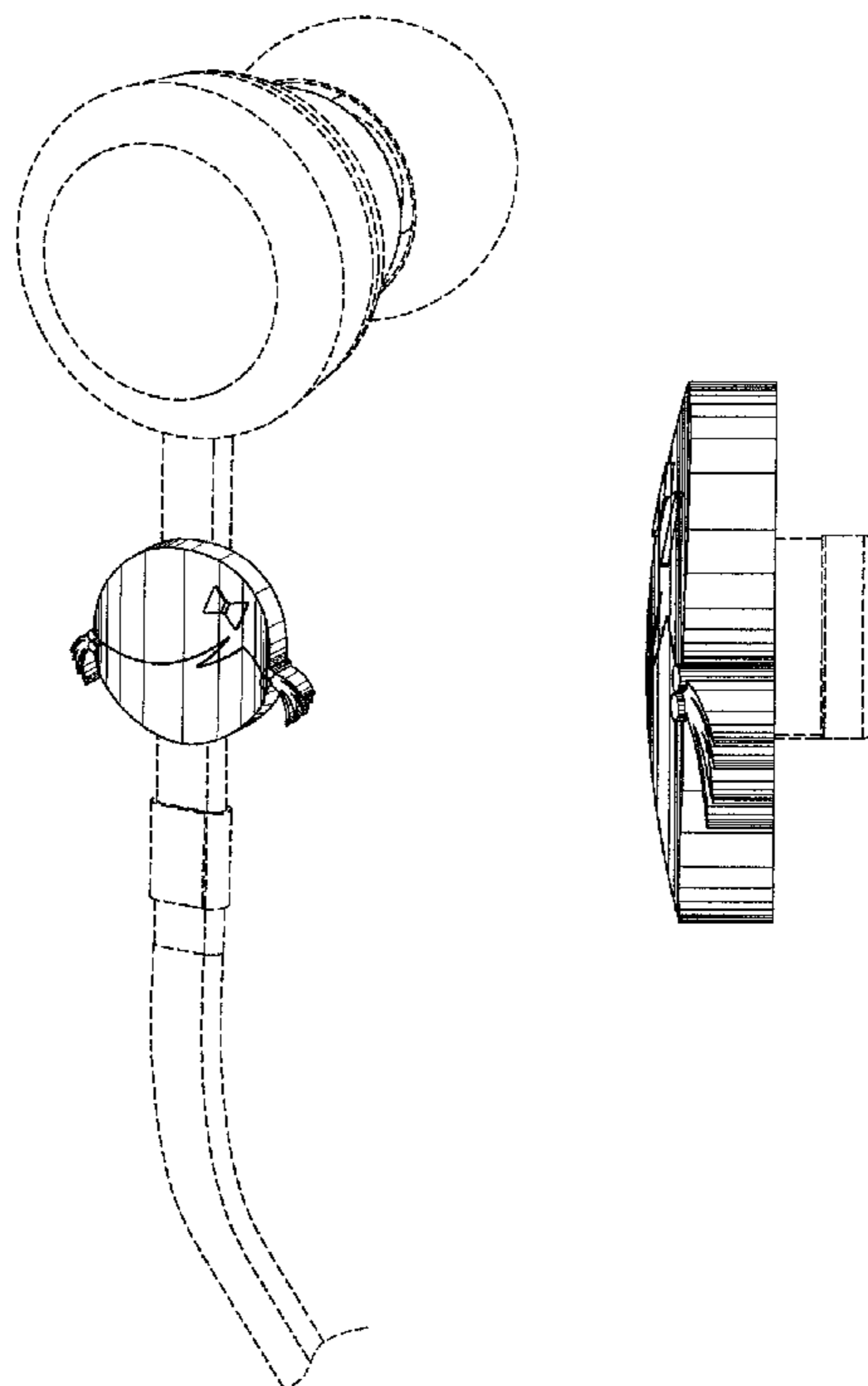
FIG. 6 is an opposing side view thereof;

FIG. 7 is a top view thereof; and,

FIG. 8 is a bottom view thereof.

The broken lines showing the environment in the Figures are for illustrative purposes only and form no part of the claimed design.

1 Claim, 3 Drawing Sheets



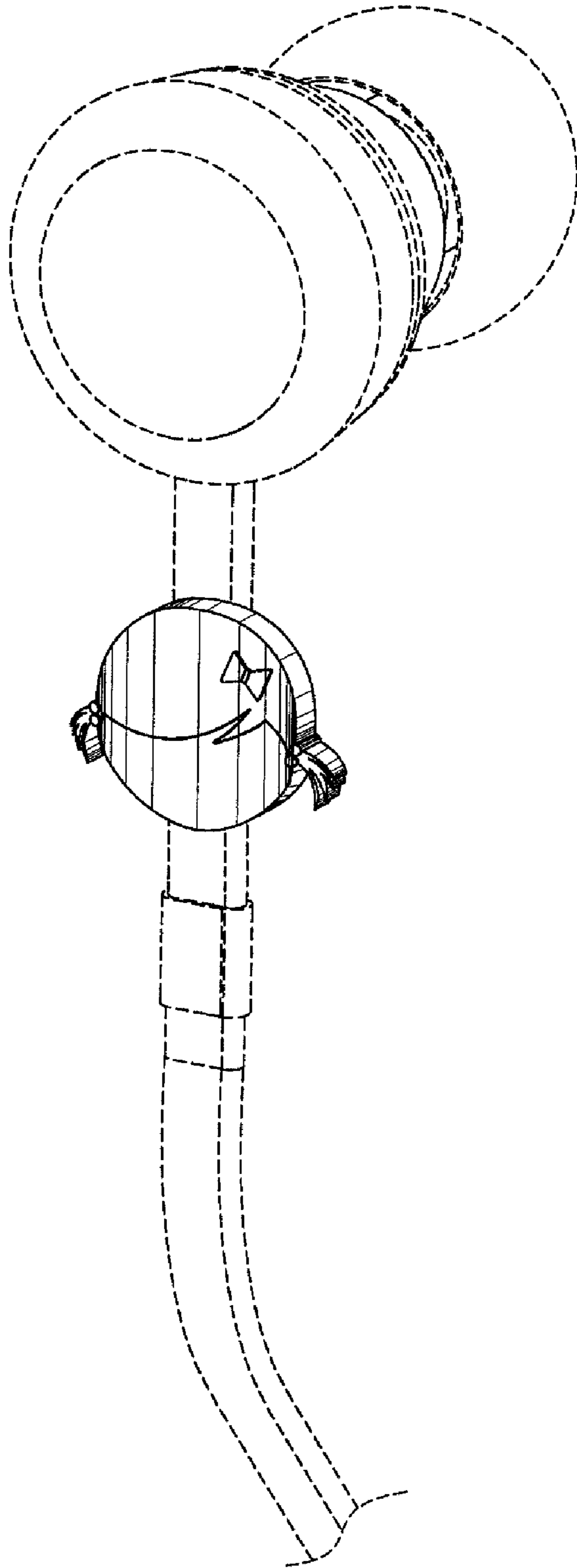


Figure 1

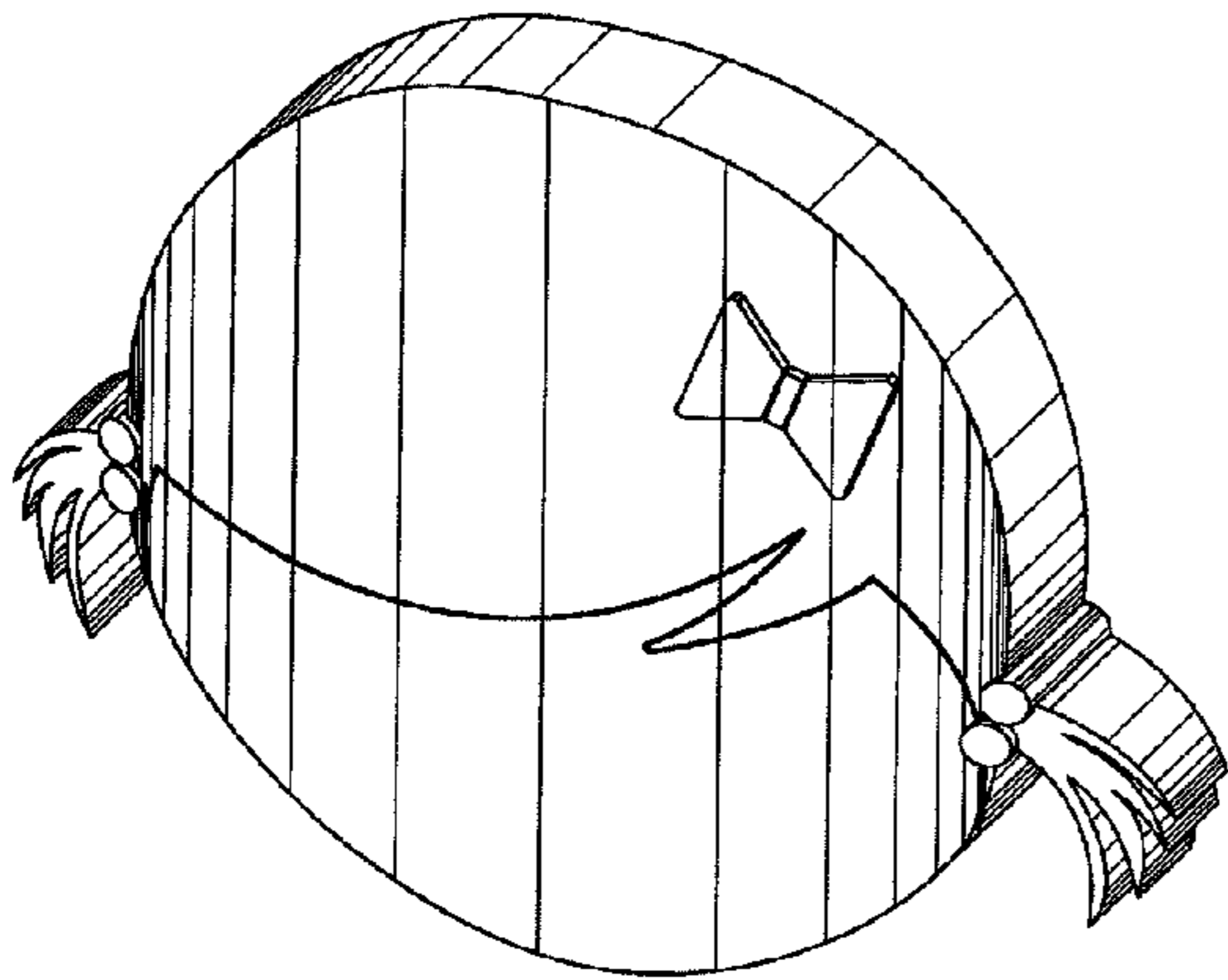


Figure 2

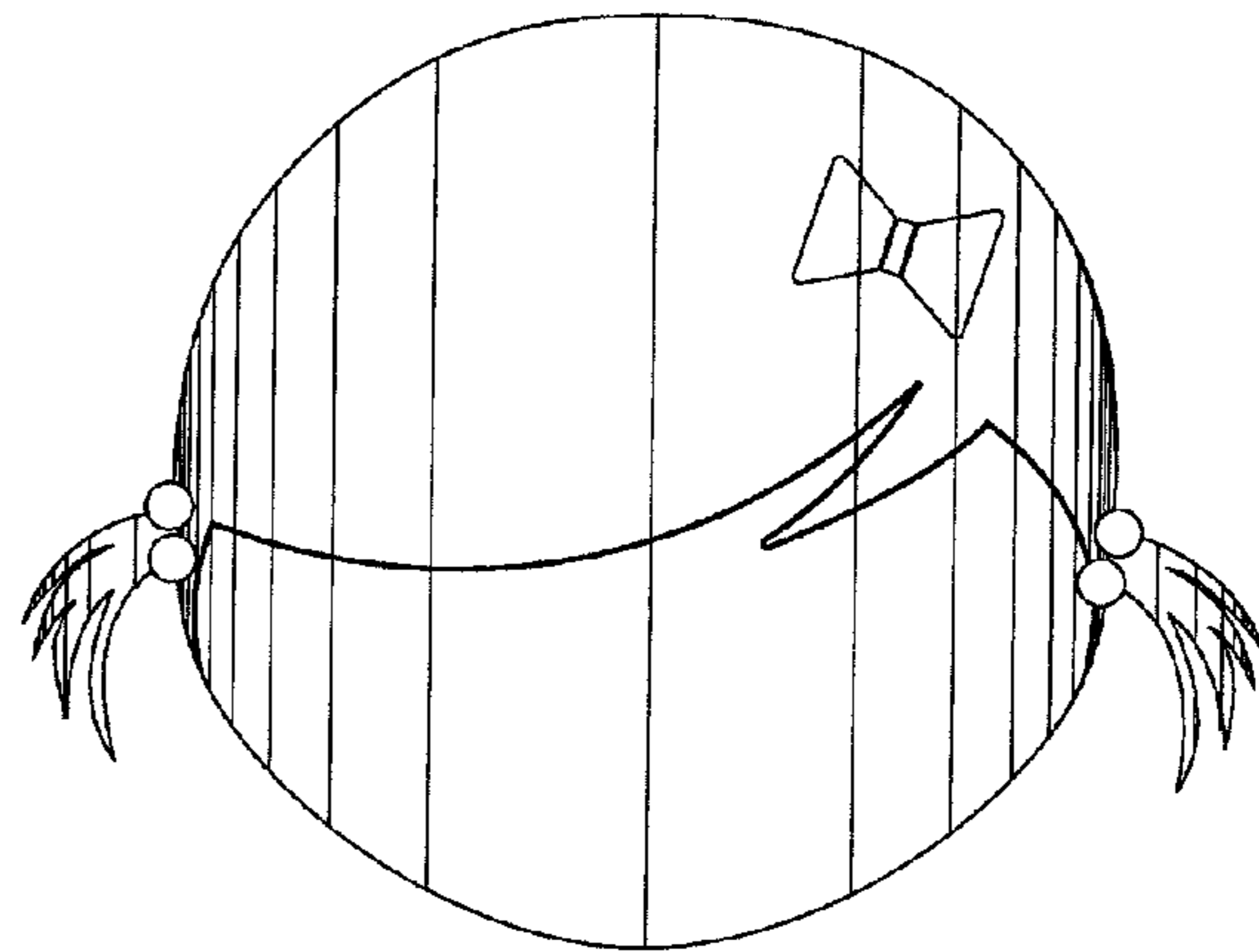


Figure 3

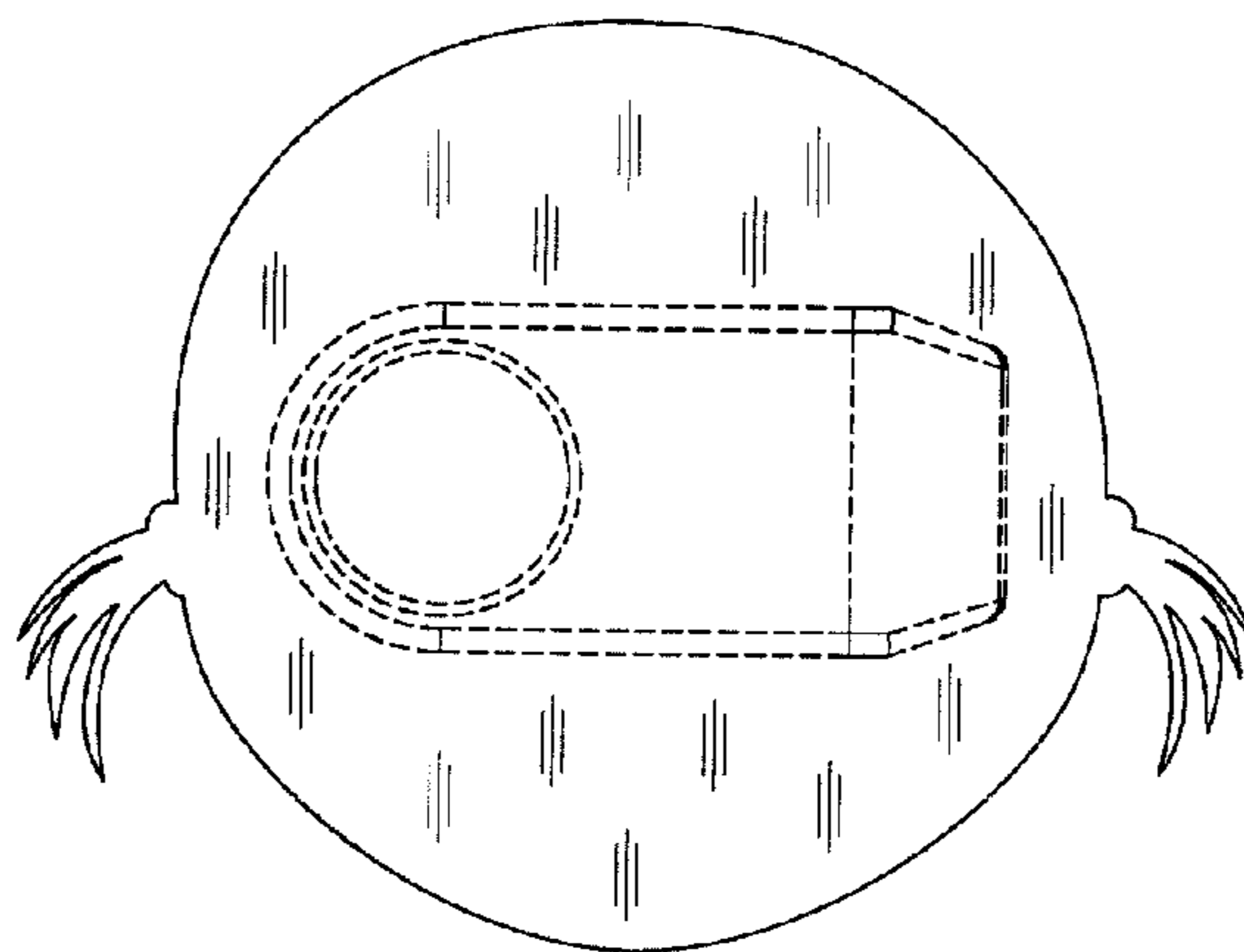


Figure 4

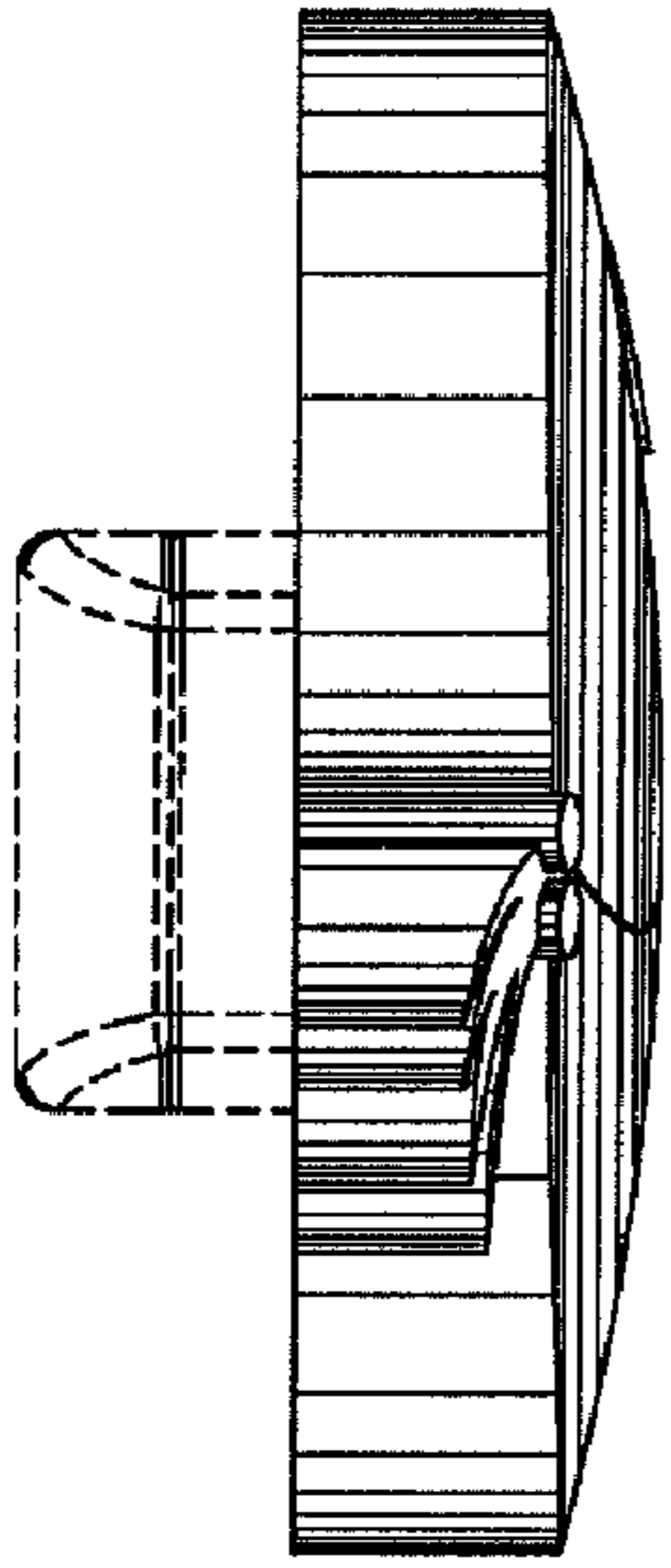


Figure 5

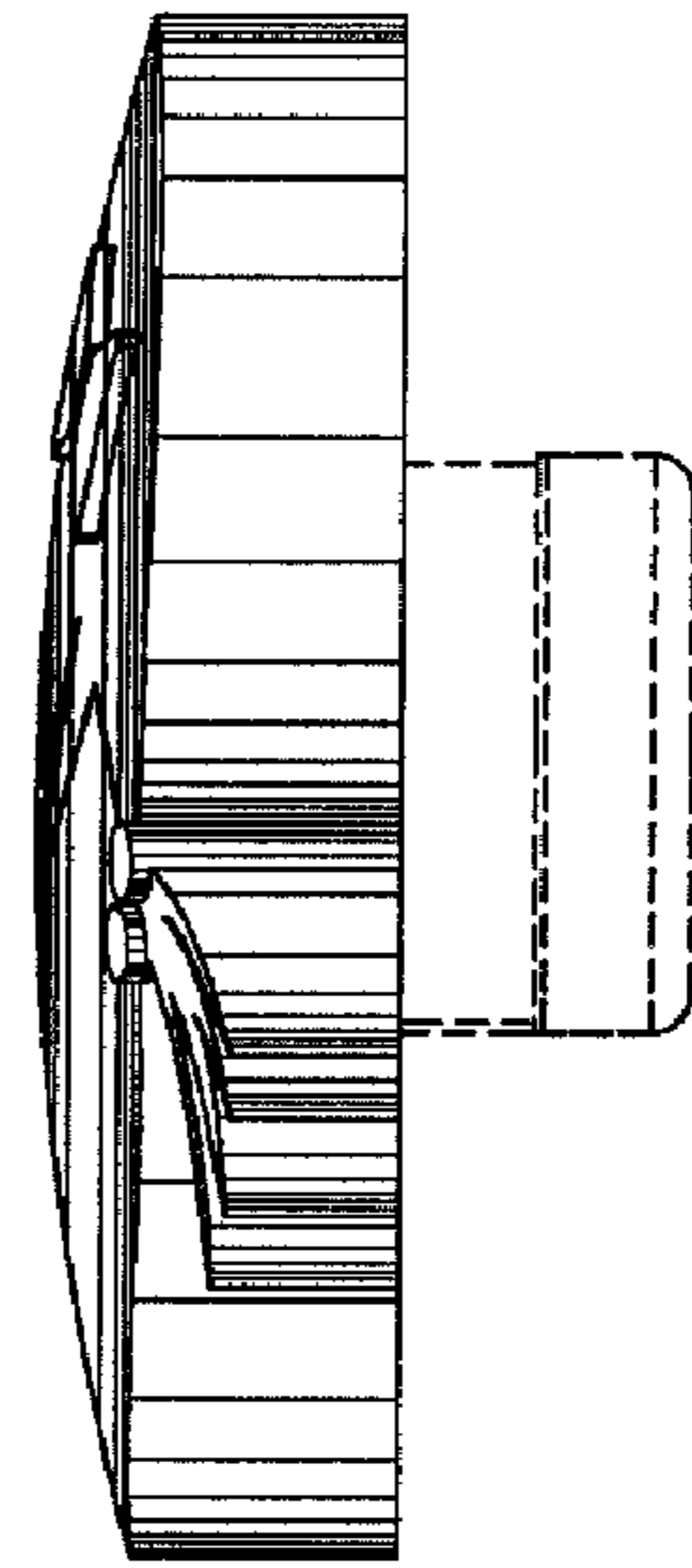


Figure 6

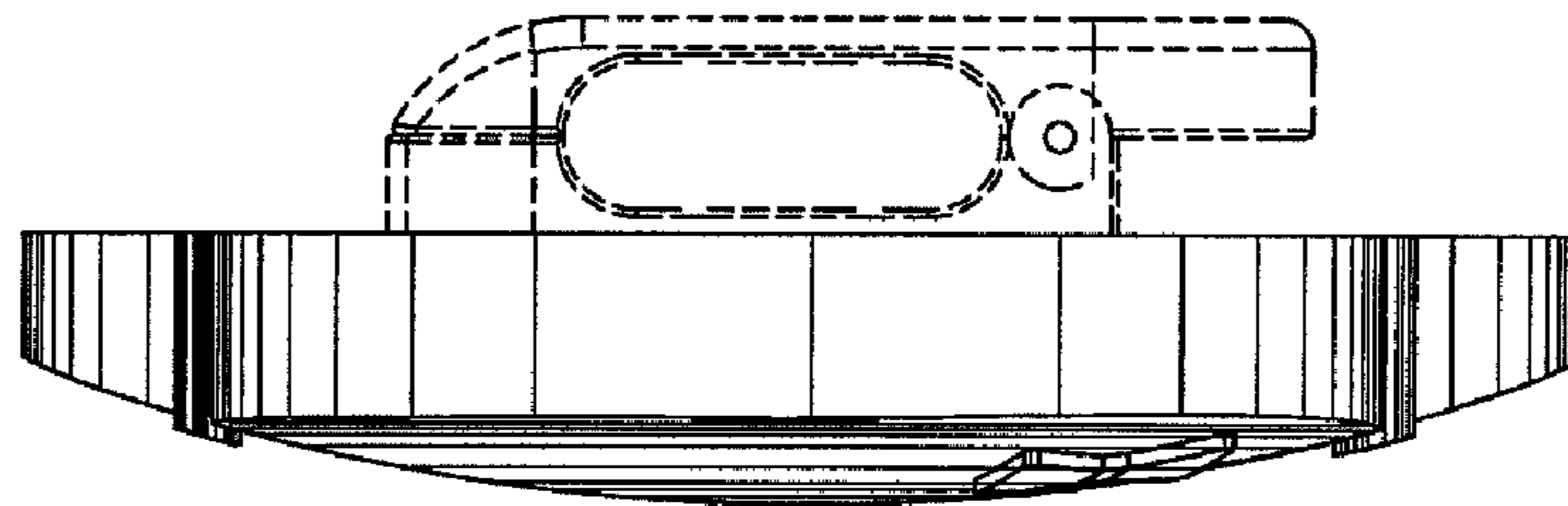


Figure 7

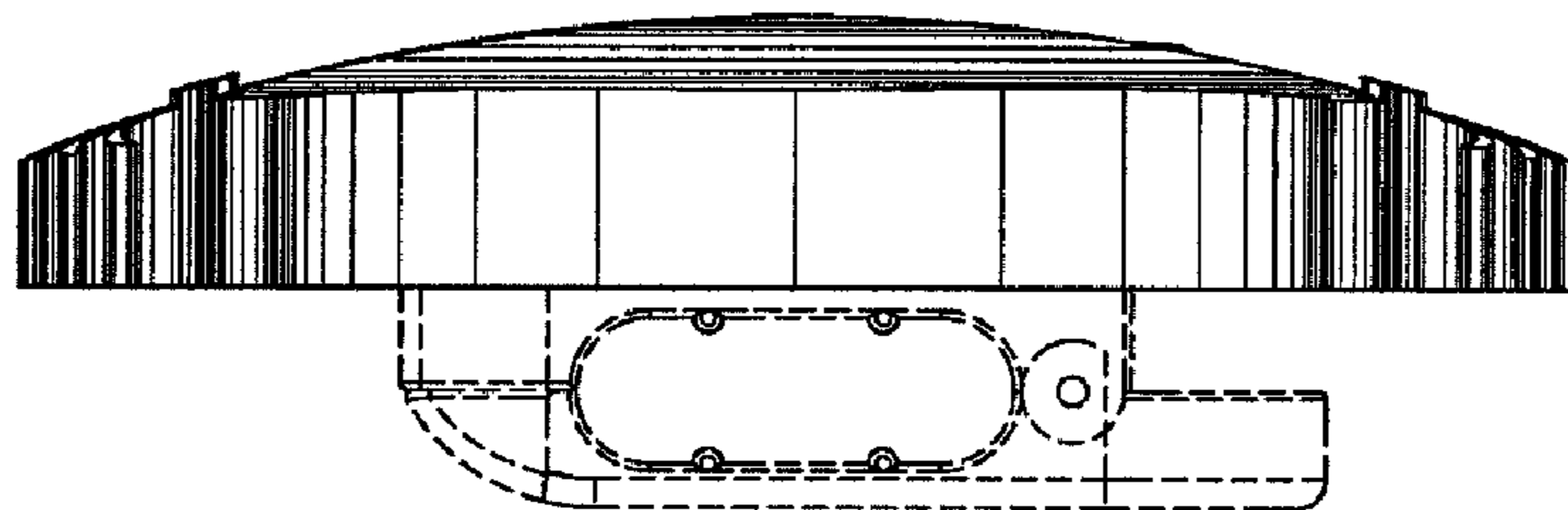


Figure 8