

US00D664940S

(12) **United States Design Patent**  
**Kim et al.**

(10) **Patent No.:** **US D664,940 S**  
(45) **Date of Patent:** **\*\* Aug. 7, 2012**

(54) **TV RECEIVER**

(75) Inventors: **Kyoung-Hoon Kim**, Kyunggi-do (KR);  
**Ji-Gwang Kim**, Seoul (KR)

(73) Assignee: **Samsung Electronics Co., Ltd.**,  
Kyunggi-do (KR)

(\*\*) Term: **14 Years**

(21) Appl. No.: **29/415,213**

(22) Filed: **Mar. 8, 2012**

(30) **Foreign Application Priority Data**

Sep. 29, 2011 (KR) ..... 30-2011-0040435

(51) **LOC (9) Cl.** ..... **14-03**

(52) **U.S. Cl.** ..... **D14/129**; D14/126

(58) **Field of Classification Search** ..... D14/125-134,  
D14/239, 371, 136, 374-377, 440, 450, 448,  
D14/336, 342; 312/7.2; 348/836, 838, 180,  
348/184, 325, 739; 341/12; 248/917-924,  
248/465; 345/104, 133, 156, 168, 87, 173;  
720/605, 669, 600, 655; 369/99, 197; D21/329,  
D21/515, 577, 622, 333, 433, 448, 452, 450,  
D21/331; D6/477, 479, 300; 273/148 B;  
446/484, 175, 356; D10/15, 26

See application file for complete search history.

(56) **References Cited**

**U.S. PATENT DOCUMENTS**

D549,674 S \* 8/2007 Lee et al. .... D14/126  
D592,163 S \* 5/2009 Lee et al. .... D14/126  
D605,614 S \* 12/2009 Lee et al. .... D14/126  
D620,901 S \* 8/2010 Won et al. .... D14/126

D620,903 S 8/2010 Song et al.  
D622,235 S \* 8/2010 Lee et al. .... D14/126  
D623,618 S \* 9/2010 Yoshida ..... D14/126  
D624,035 S \* 9/2010 Lee et al. .... D14/126  
D634,323 S 3/2011 Park et al.  
D634,324 S 3/2011 Park et al.  
D643,003 S \* 8/2011 Ryu et al. .... D14/126  
D643,389 S 8/2011 Lee et al.  
D643,390 S 8/2011 Han et al.  
D656,471 S \* 3/2012 Han et al. .... D14/126  
D656,913 S \* 4/2012 Ann et al. .... D14/126

**OTHER PUBLICATIONS**

U.S. Appl. No. 29/373,836, Applicant: Eui-Seok Kim et al., filed May 27, 2011 entitled Television Receiver.

U.S. Appl. No. 29/415,214, Applicant: Kyoung-Hoon Kim, et al., filed Mar.8, 2012 entitled TV Receiver.

\* cited by examiner

*Primary Examiner* — Raphael Barkai

(74) *Attorney, Agent, or Firm* — Flynn, Thiel, Boutell & Tanis, P.C.

(57) **CLAIM**

The ornamental design for a TV receiver, as shown and described.

**DESCRIPTION**

FIG. 1 is a top front perspective view of a TV receiver showing our new design;

FIG. 2 is a front elevational view thereof;

FIG. 3 is a rear elevational view thereof;

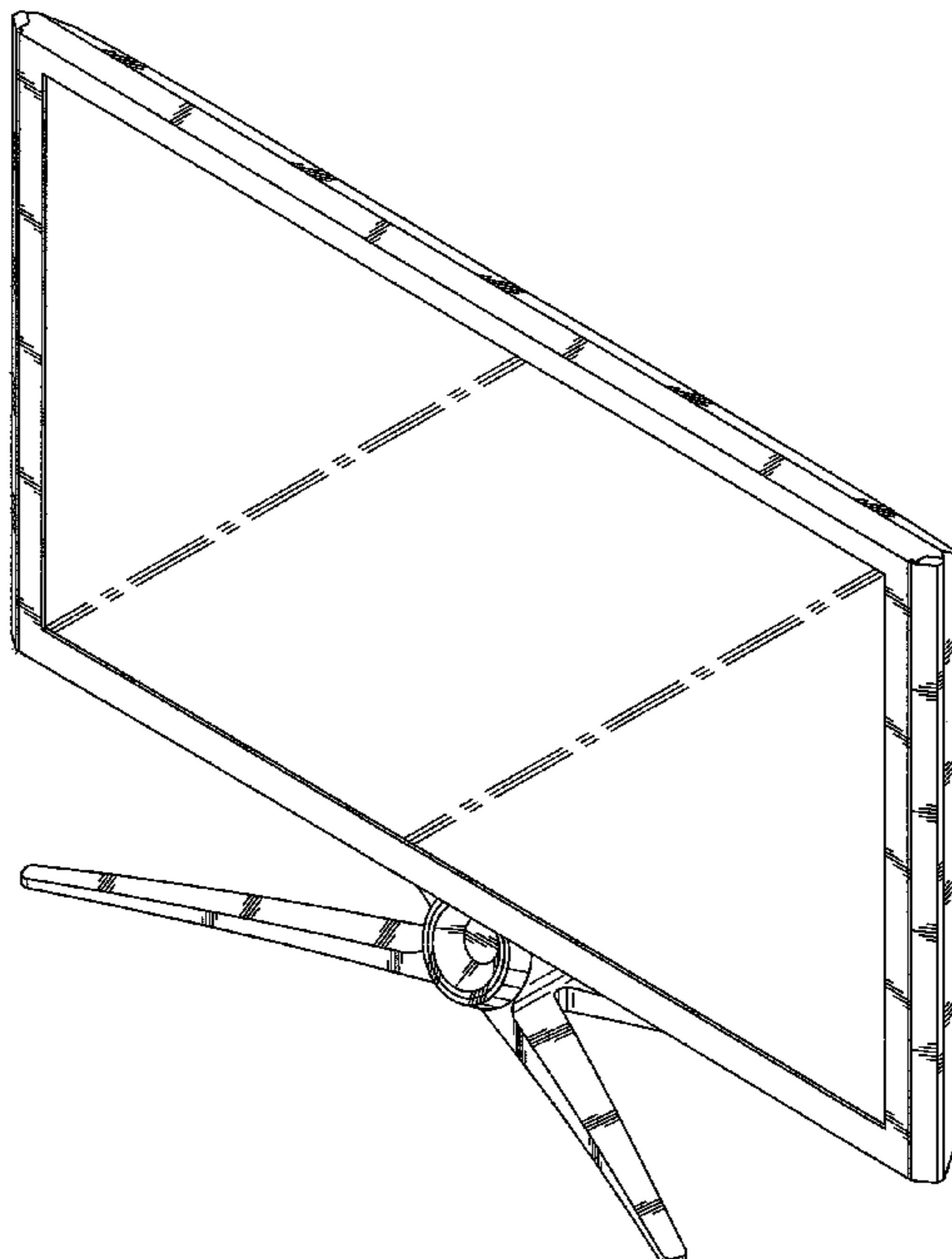
FIG. 4 is a left side elevational view thereof;

FIG. 5 is a right side elevational view thereof;

FIG. 6 is a top plan view thereof; and,

FIG. 7 is a bottom plan view thereof.

**1 Claim, 4 Drawing Sheets**



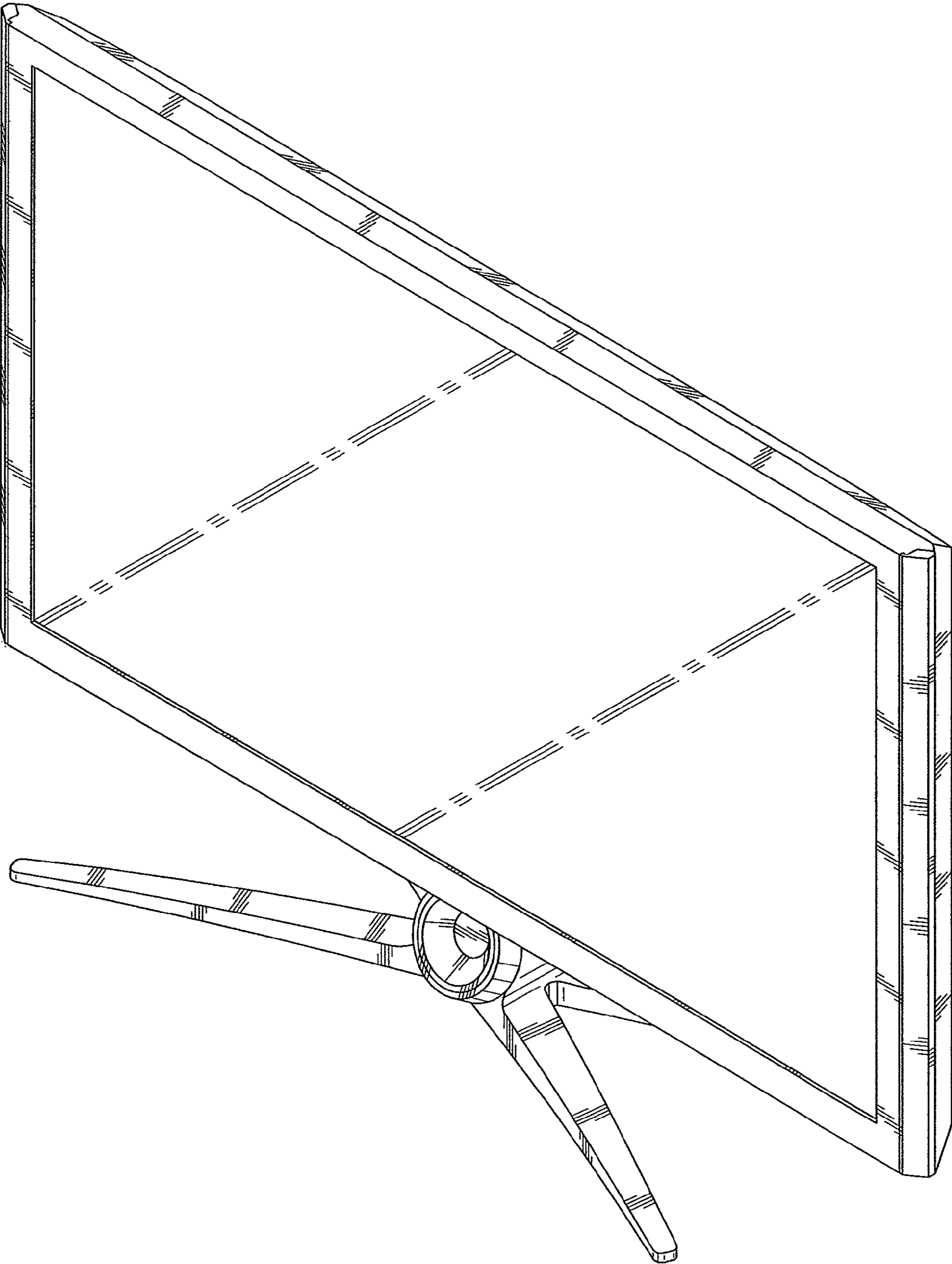


FIG. 1

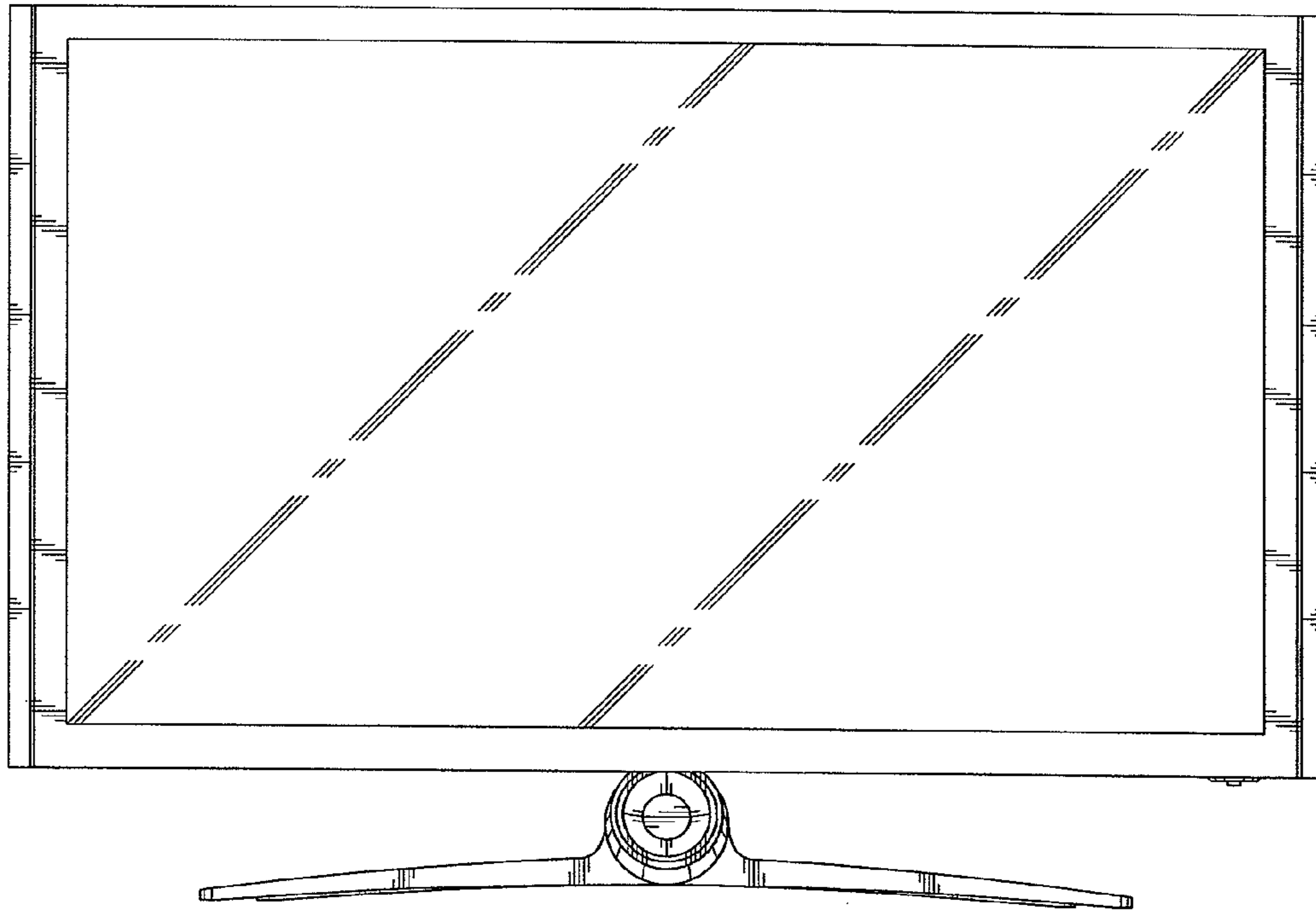


FIG.2

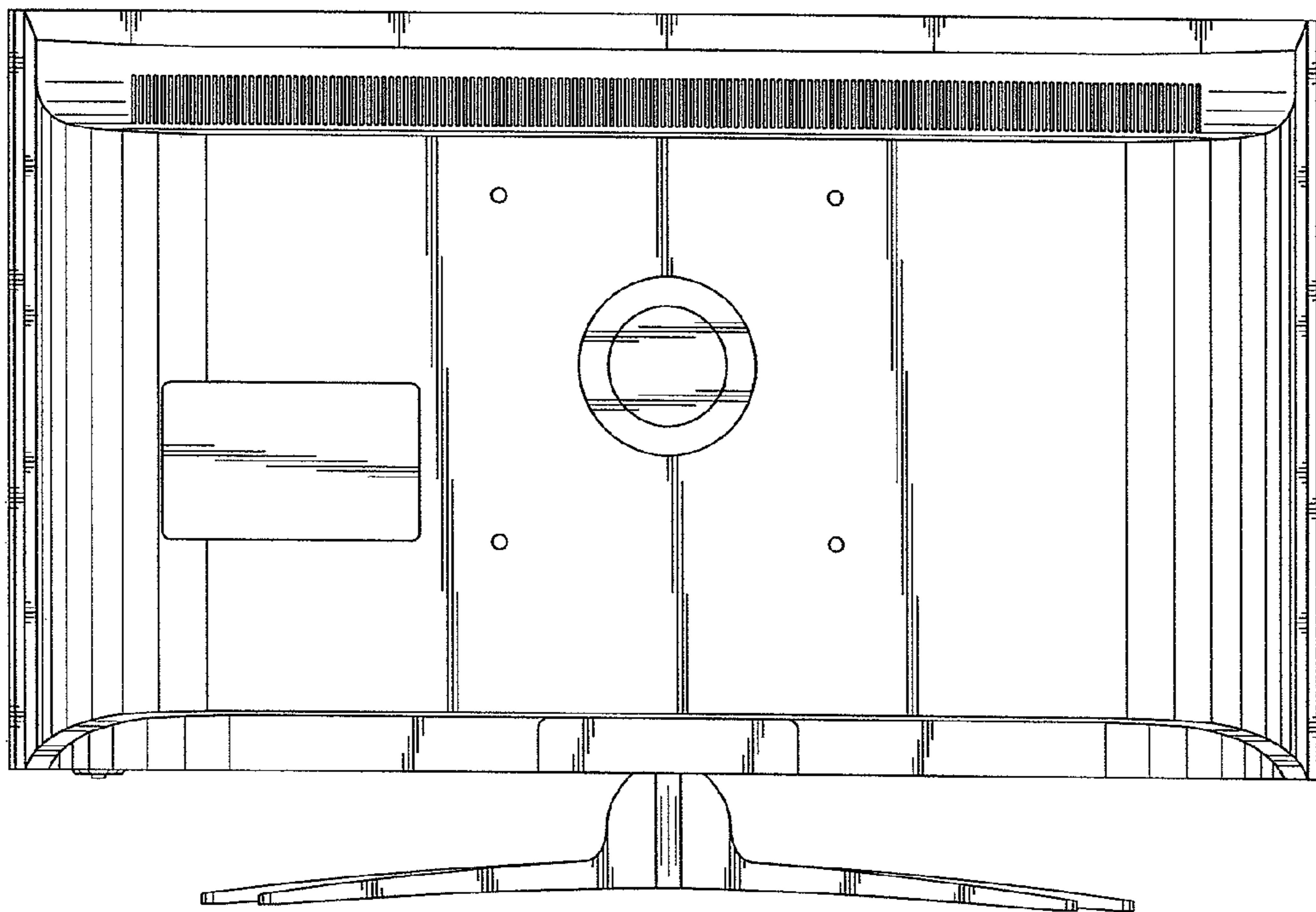


FIG.3

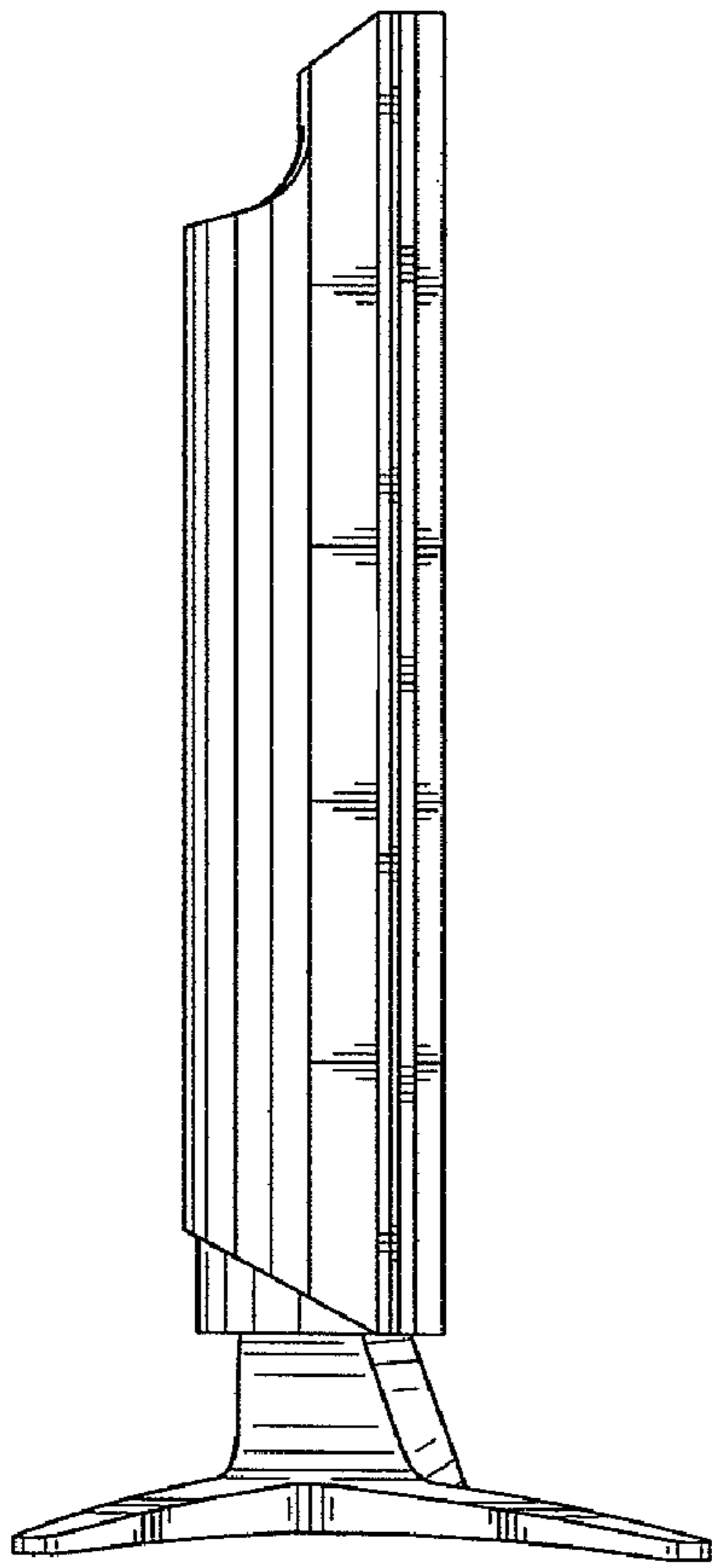


FIG. 4

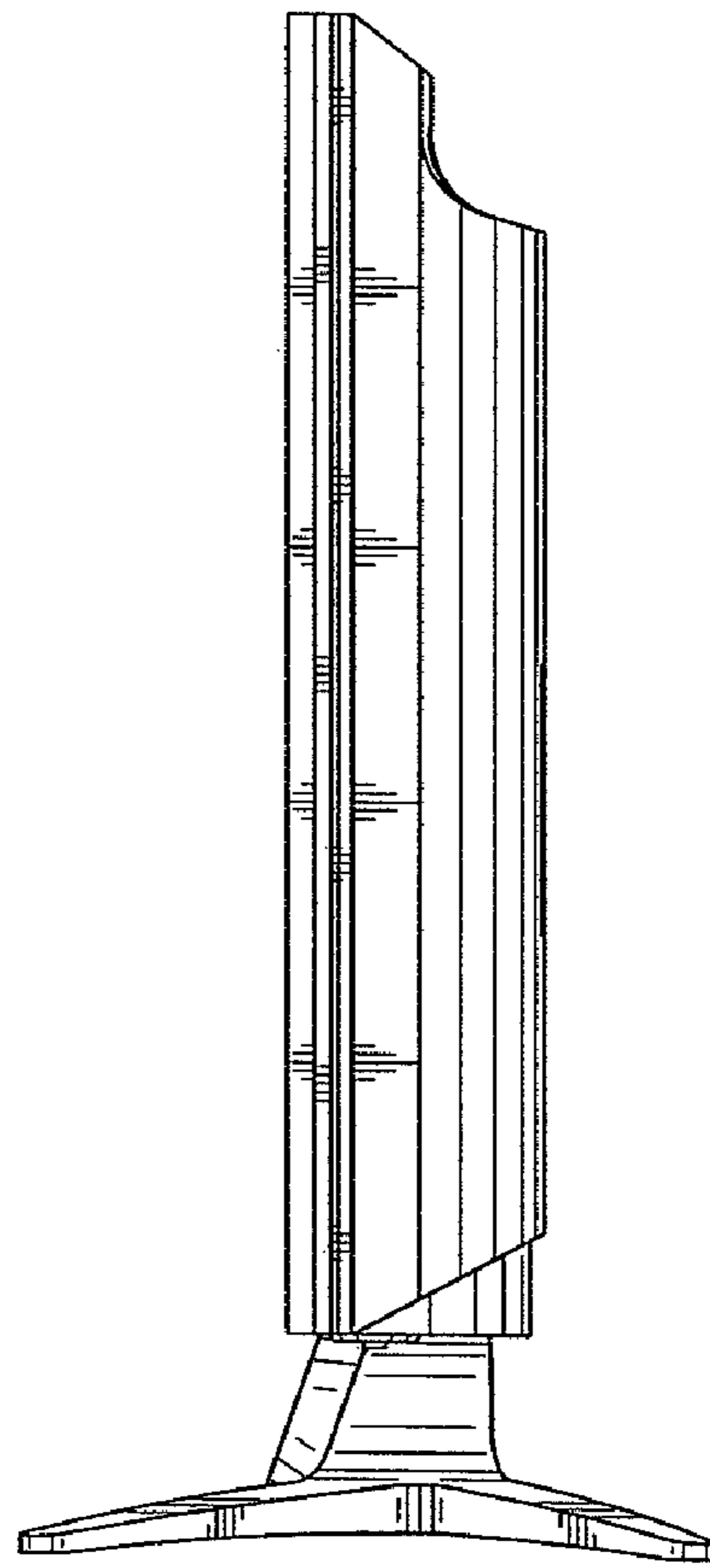


FIG. 5



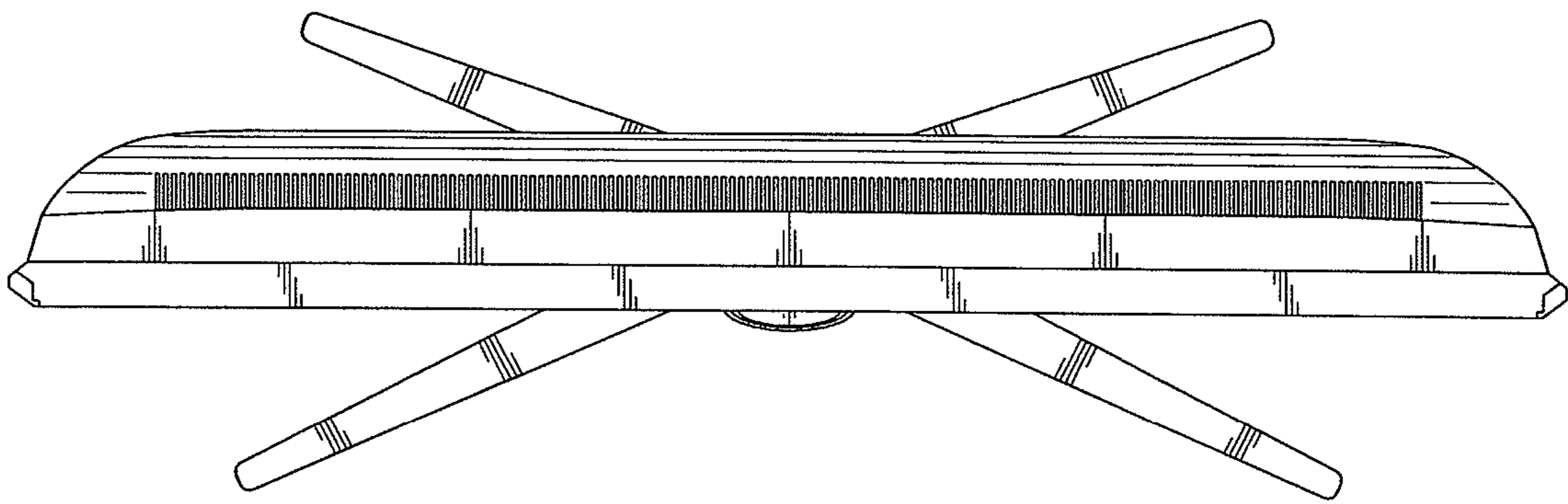


FIG. 6

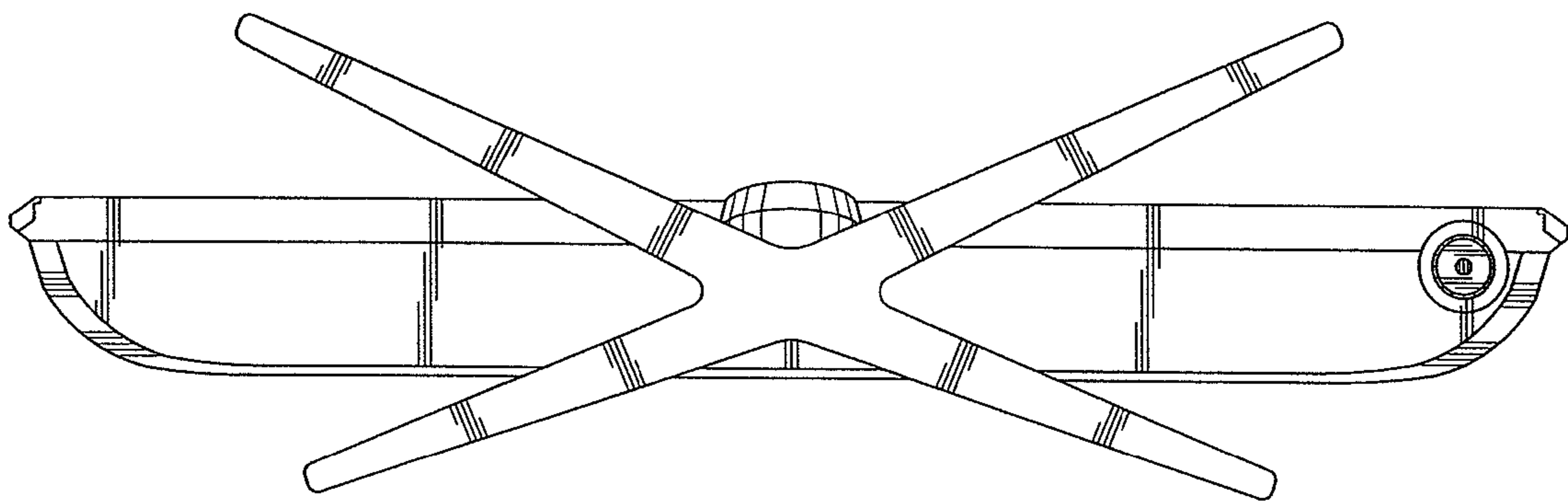


FIG. 7