



US00D664939S

(12) **United States Design Patent**  
**Ying et al.**

(10) **Patent No.:** **US D664,939 S**

(45) **Date of Patent:** **\*\* Aug. 7, 2012**

(54) **PACKAGE CARRIER**

(75) Inventors: **Tsung-Kang Ying**, New Taipei (TW);  
**Chia-Ming Tu**, New Taipei (TW);  
**Chi-Ju Shen**, Hualien County (TW)

(73) Assignees: **Silitek Electronic (Guangzhou) Co., Ltd.**, Guangzhou (CN); **Lite-On Technology Corporation**, Taipei (TW)

(\*\*) Term: **14 Years**

(21) Appl. No.: **29/399,338**

(22) Filed: **Aug. 12, 2011**

(51) **LOC (9) Cl.** ..... **13-03**

(52) **U.S. Cl.** ..... **D13/180**

(58) **Field of Classification Search** ..... D13/180;  
D26/1, 2; 257/79, 80, 81, 88, 89, 95, 98,  
257/99, 100, E33.058; 313/483, 498, 500;  
362/555, 800

See application file for complete search history.

(56) **References Cited**

**U.S. PATENT DOCUMENTS**

D606,950 S *	12/2009	Ariizumi	.....	D13/180
D607,421 S *	1/2010	Park et al.	.....	D13/180
7,675,145 B2 *	3/2010	Wong et al.	.....	257/676
D622,232 S *	8/2010	Lai et al.	.....	D13/180
7,855,392 B2 *	12/2010	Wu et al.	.....	257/98
7,888,689 B2 *	2/2011	Kim et al.	.....	257/81
D651,183 S *	12/2011	Lai et al.	.....	D13/180
8,089,075 B2 *	1/2012	Chuan et al.	.....	257/81

8,101,962 B2 *	1/2012	Chiang	.....	257/98
2004/0232435 A1 *	11/2004	Hofer et al.	.....	257/99
2007/0269927 A1 *	11/2007	Hofer et al.	.....	438/106
2009/0283781 A1 *	11/2009	Chan et al.	.....	257/89
2010/0213502 A1 *	8/2010	Kashiwagi et al.	.....	257/100
2010/0307799 A1 *	12/2010	Chiang	.....	174/255
2010/0308352 A1 *	12/2010	Liao et al.	.....	257/89

\* cited by examiner

*Primary Examiner* — Selina Sikder

(74) *Attorney, Agent, or Firm* — Li&Cai Intellectual Property (USA) Office

(57) **CLAIM**

The ornamental design for a “package carrier,” as shown and described.

**DESCRIPTION**

FIG. 1 is a perspective view of a “package carrier” showing my new design;

FIG. 2 is a front view thereof;

FIG. 3 is a rear view thereof;

FIG. 4 is a left side view thereof;

FIG. 5 is a right side view thereof;

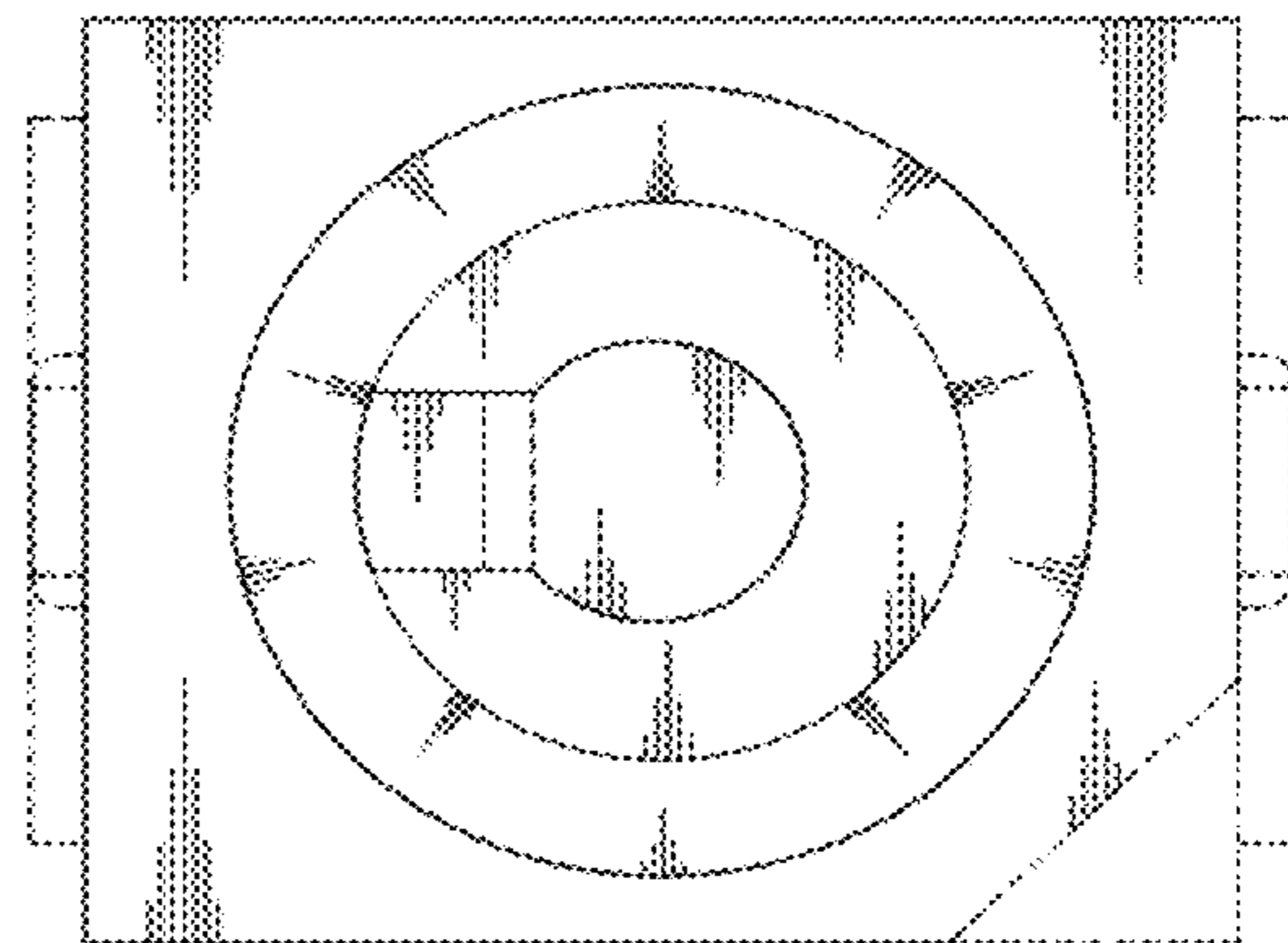
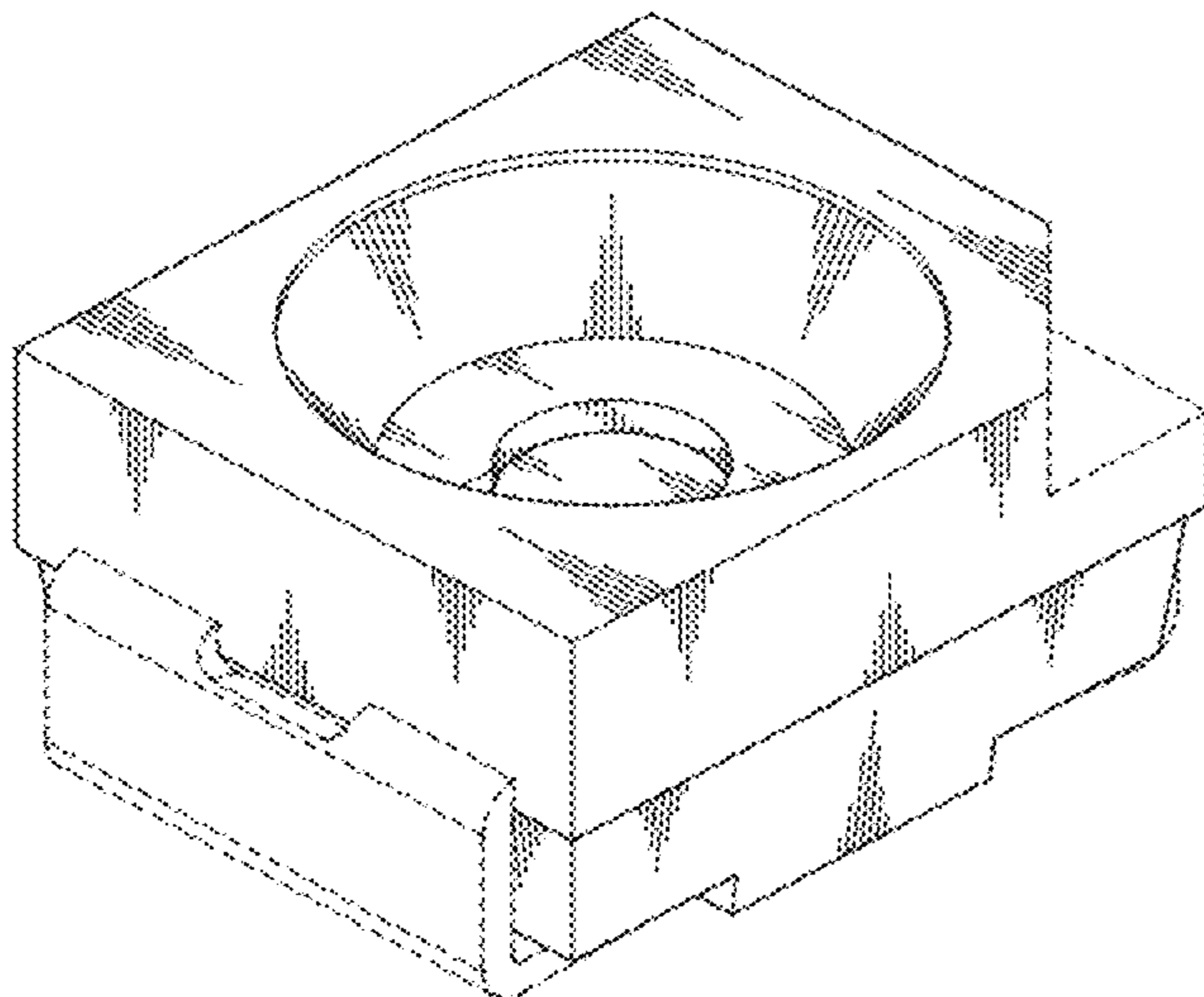
FIG. 6 is a top view thereof;

FIG. 7 is a bottom view thereof; and,

FIG. 8 is a perspective view viewed from another visual angle.

The dashed lines in the drawings are for illustrative purpose only and form no part of the claimed design.

**1 Claim, 5 Drawing Sheets**



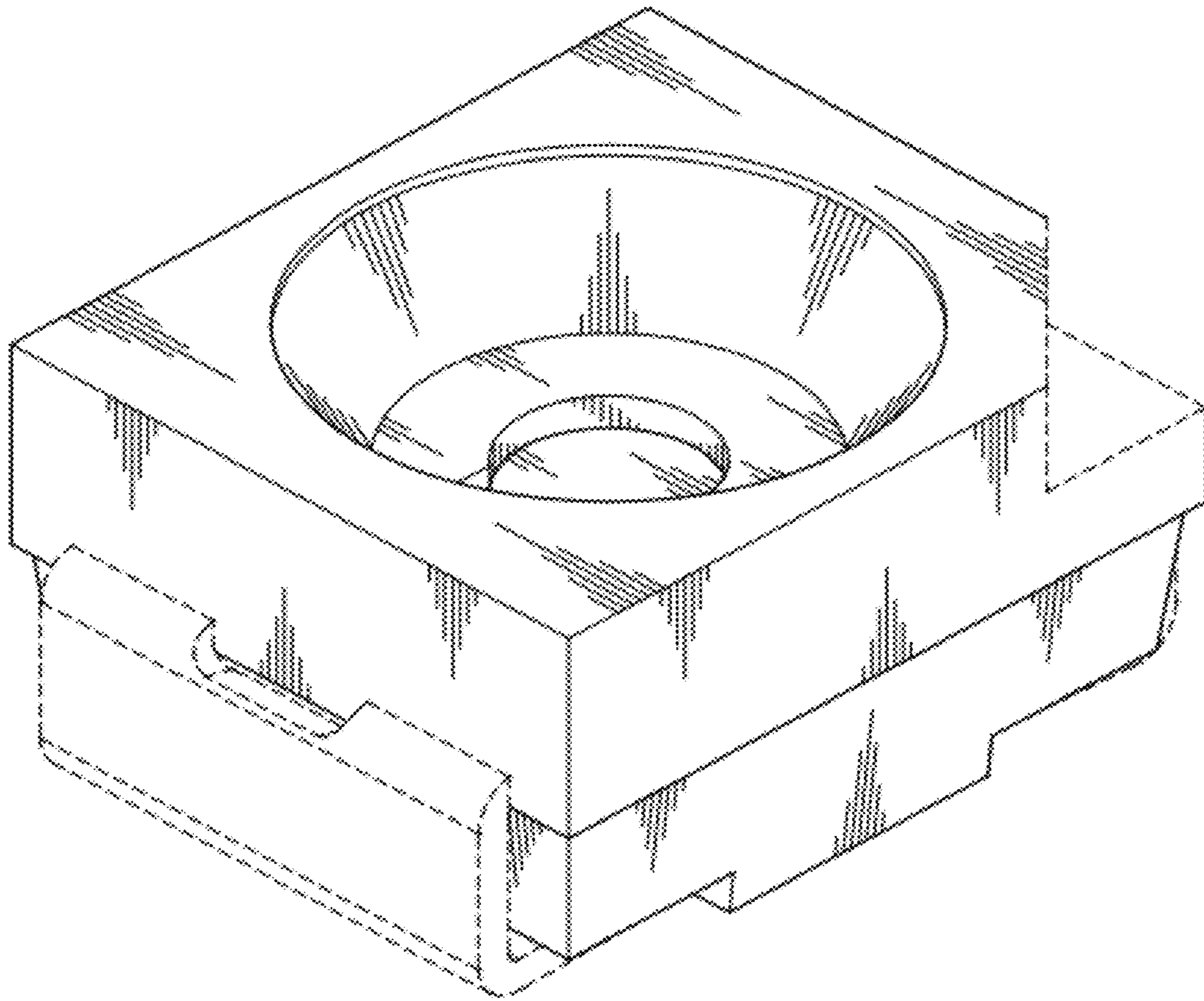


FIG. 1

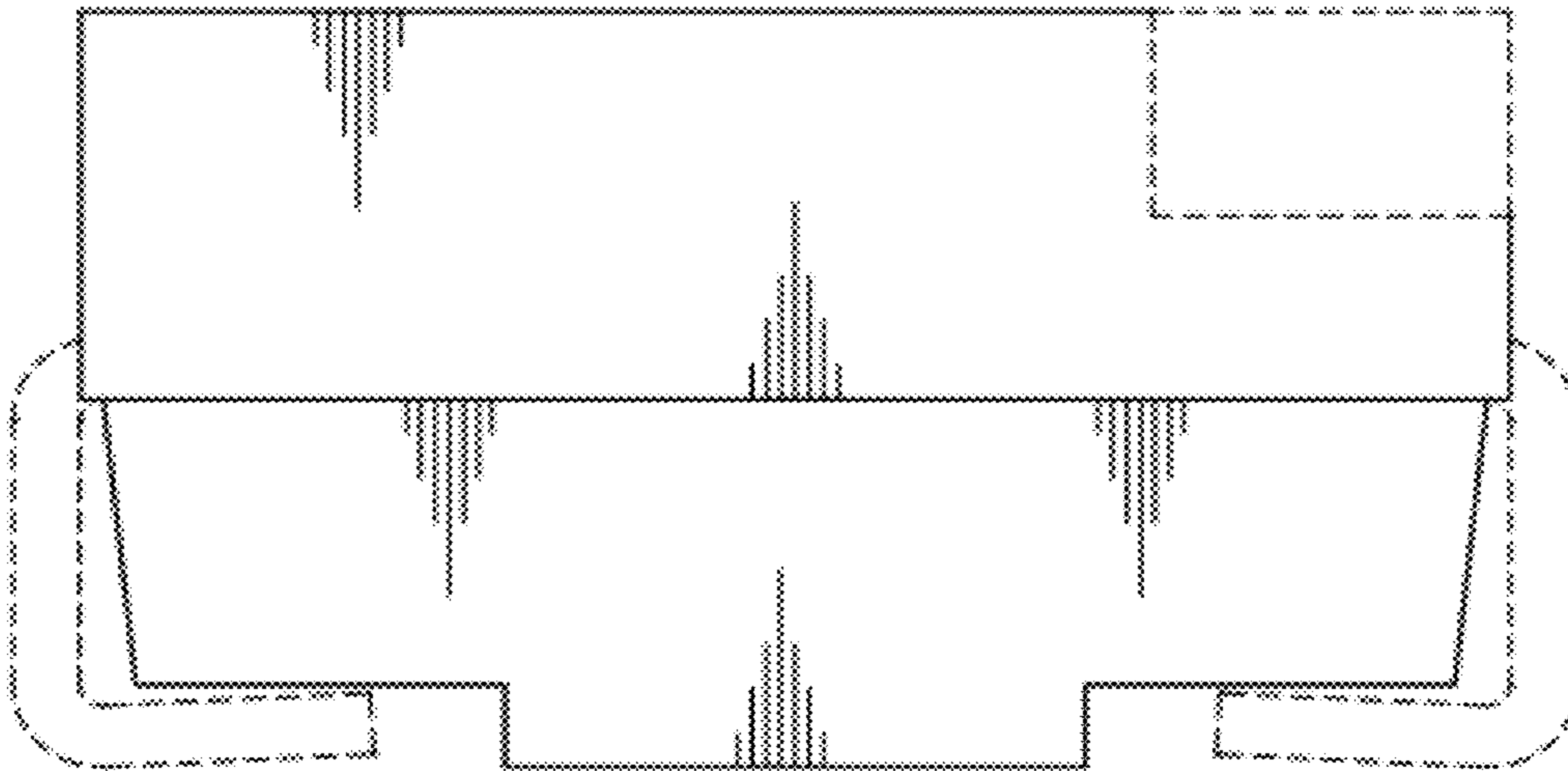


FIG. 2

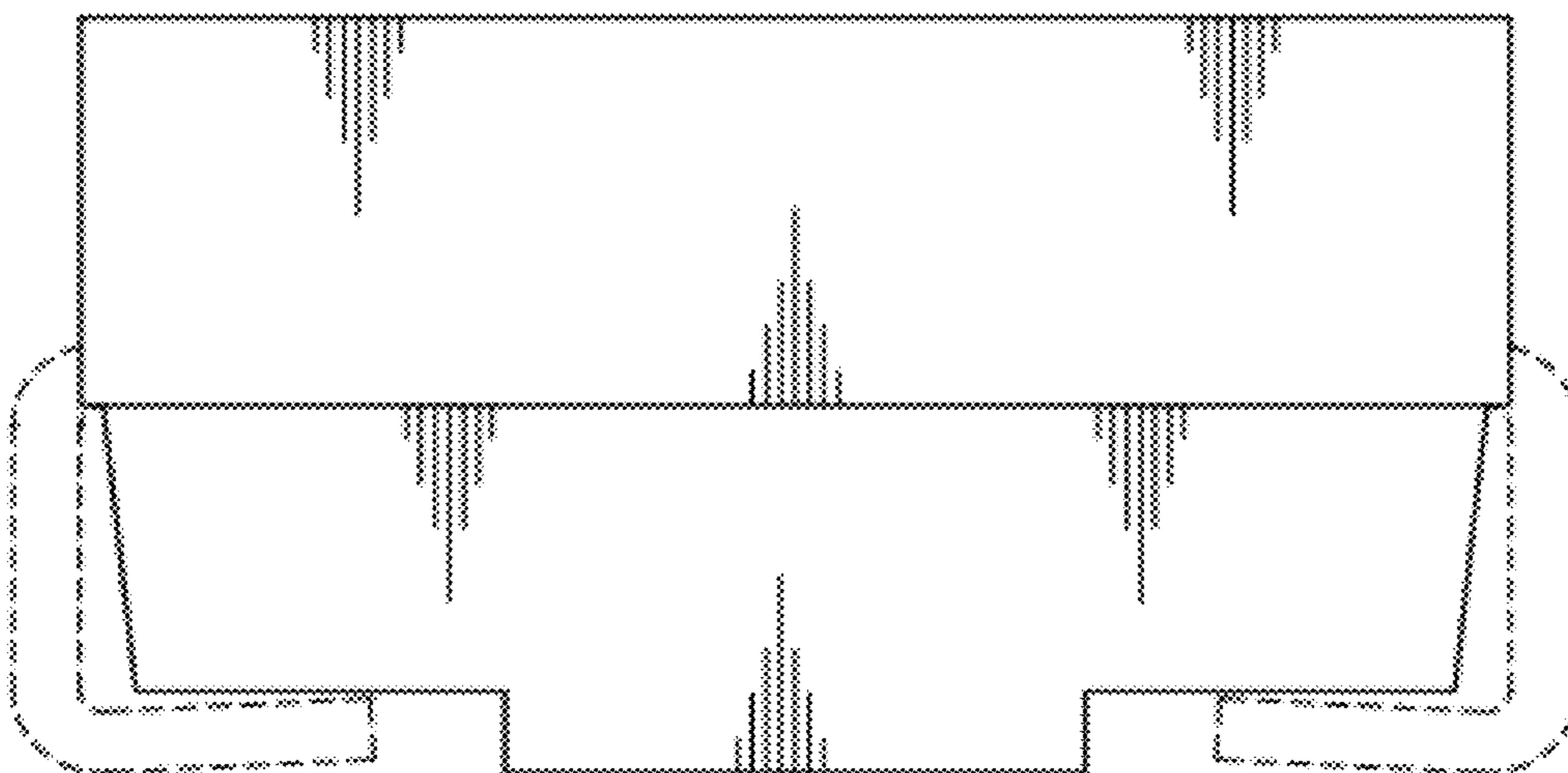


FIG. 3



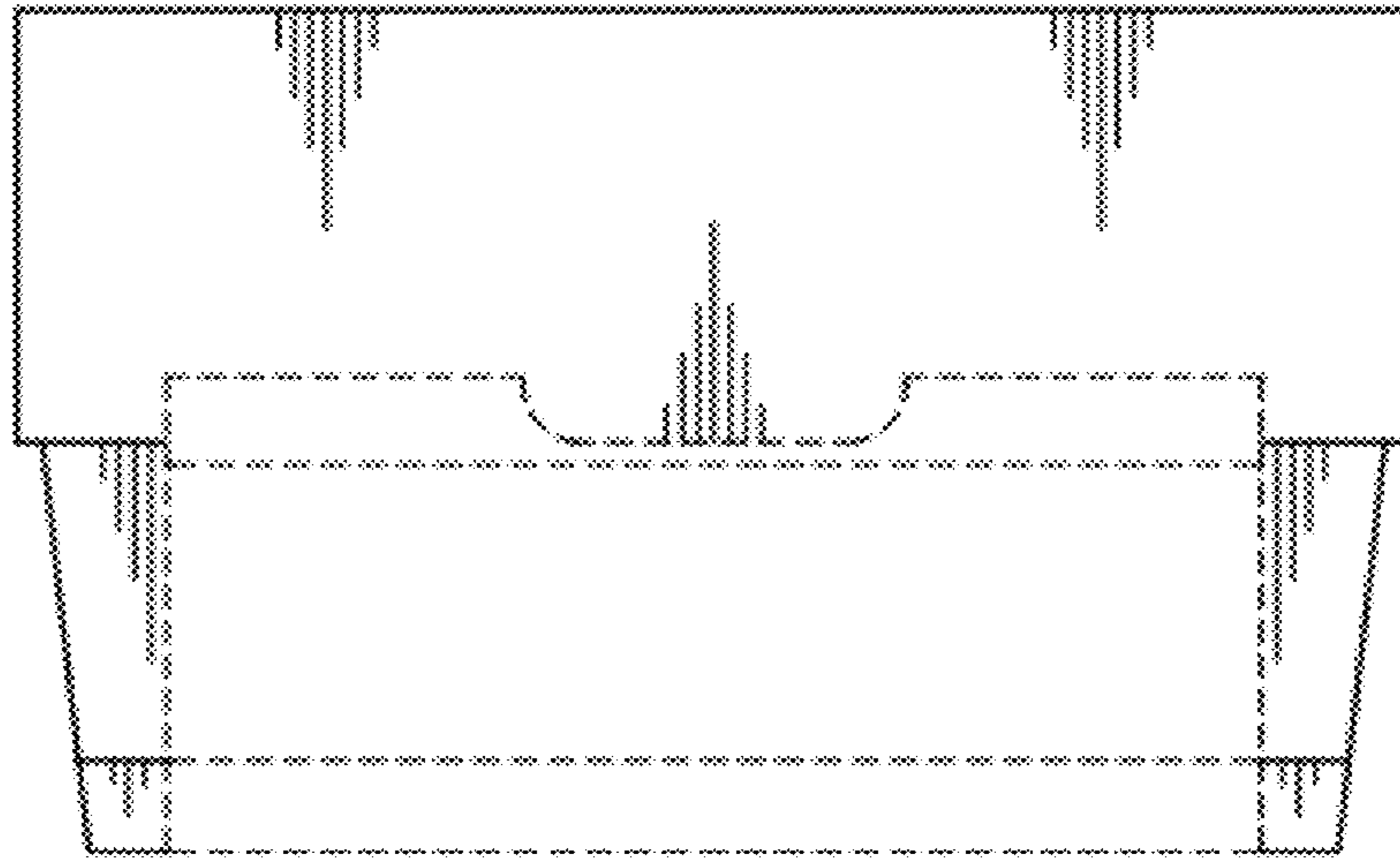


FIG. 4

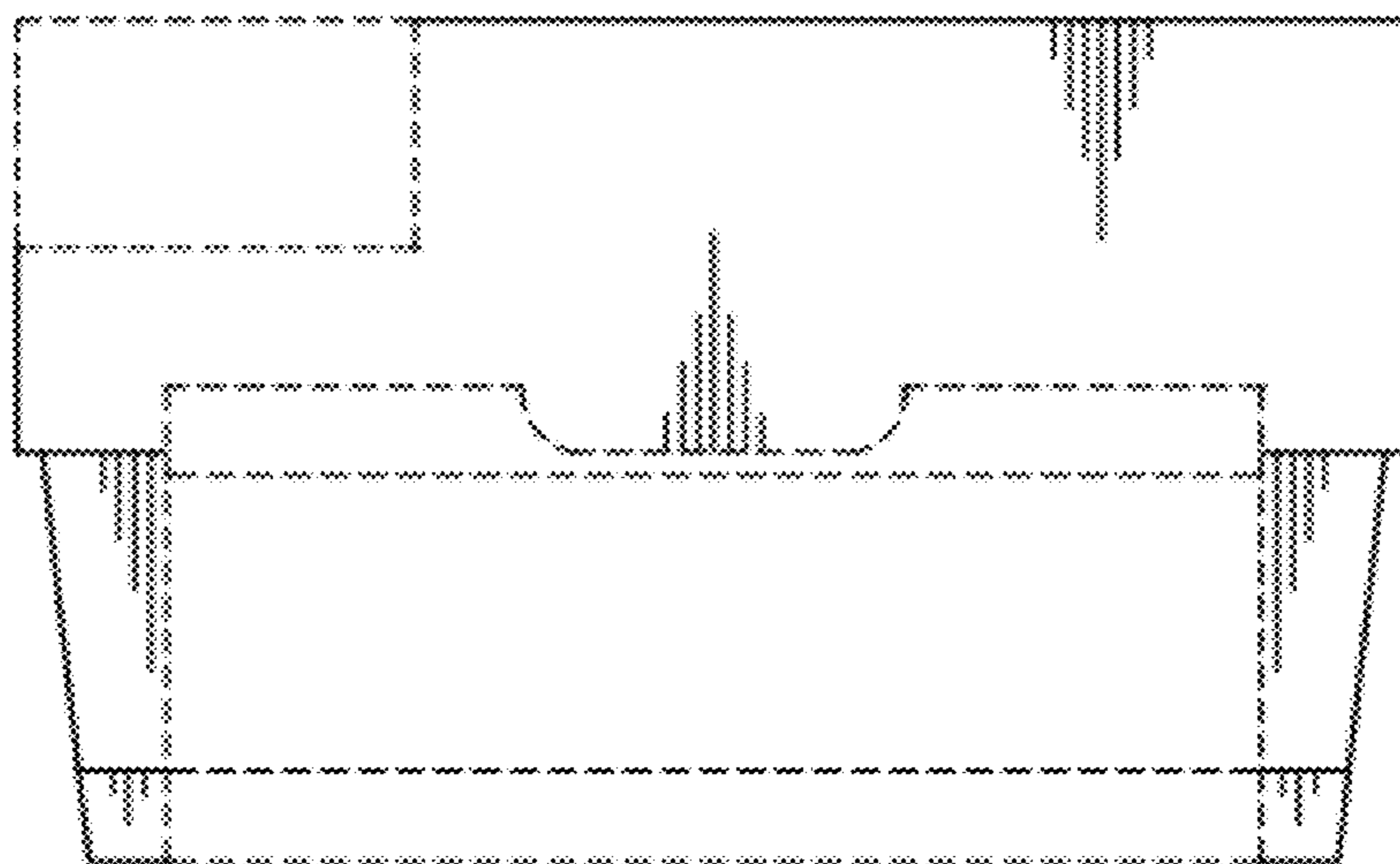


FIG. 5

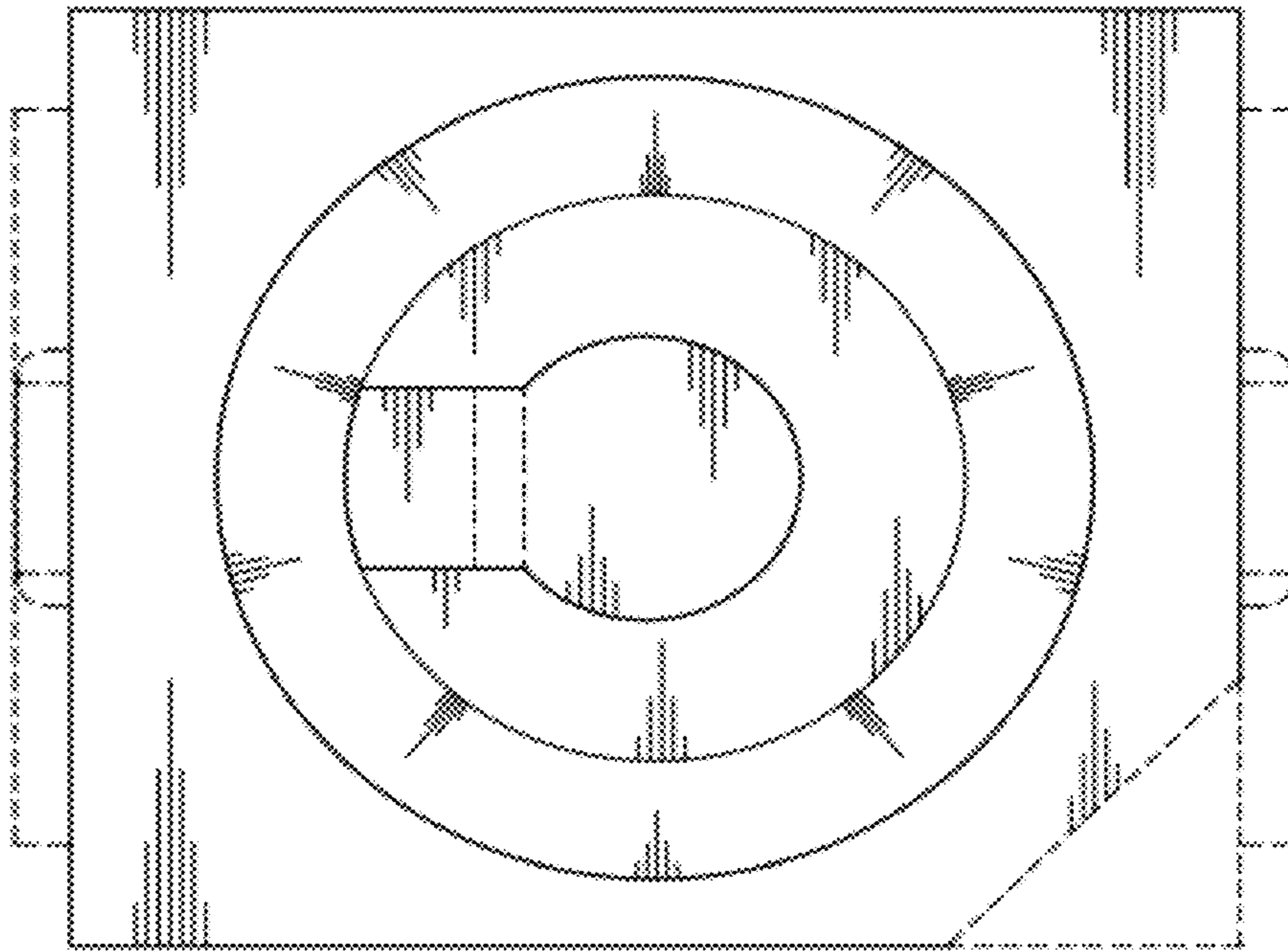


FIG. 6

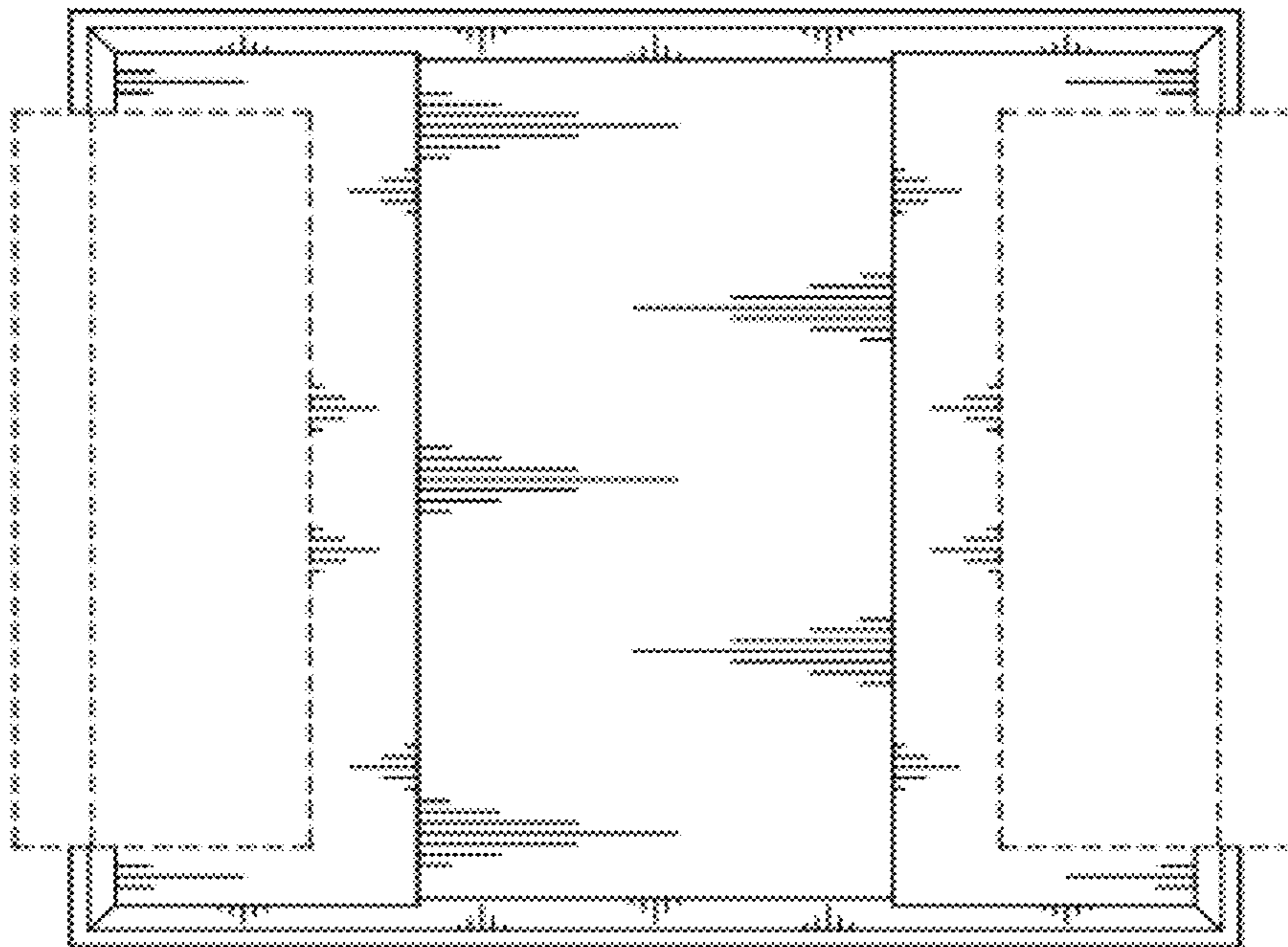


FIG. 7

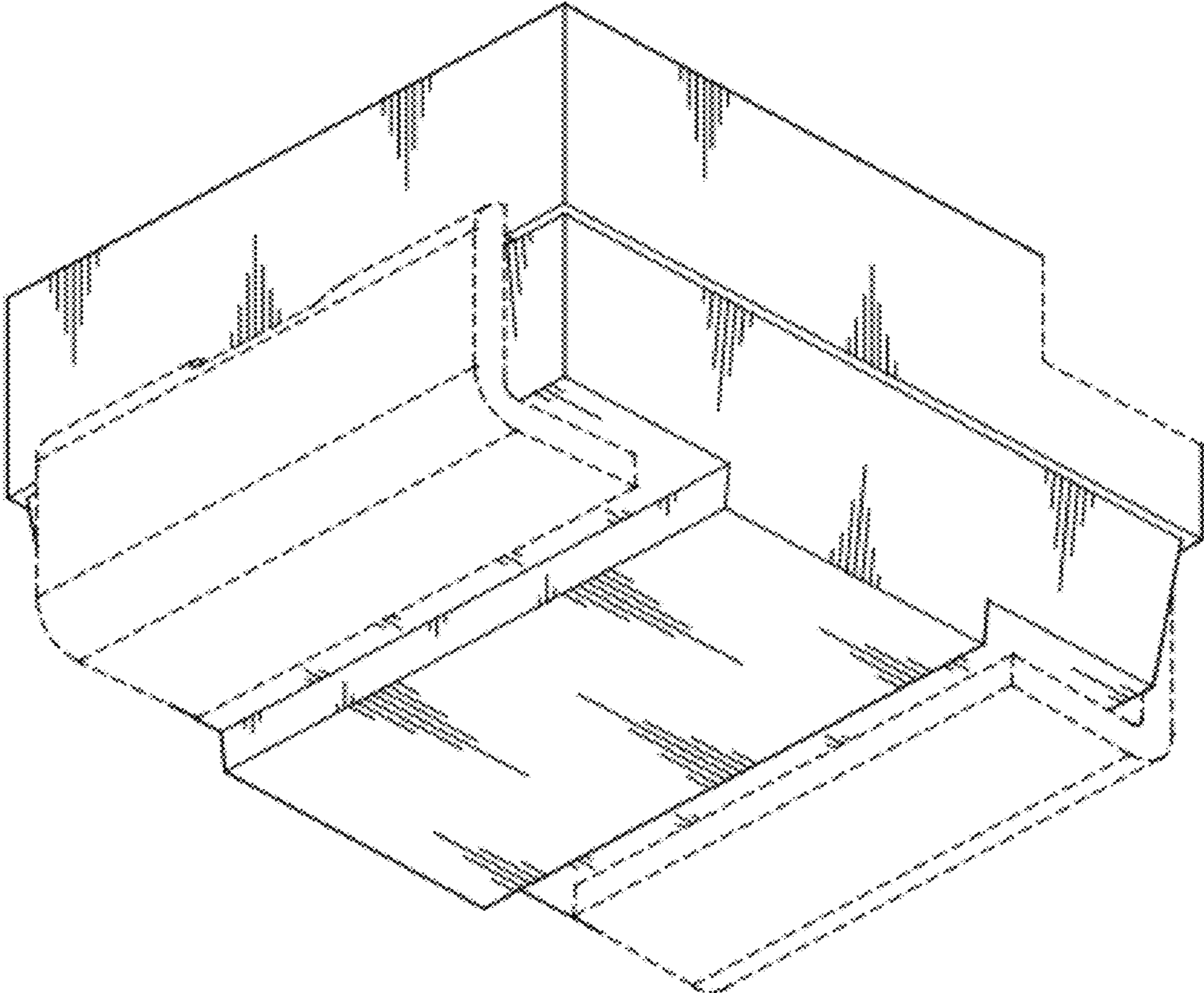


FIG. 8