



US00D664938S

(12) **United States Design Patent**
Ying et al.

(10) **Patent No.:** **US D664,938 S**

(45) **Date of Patent:** **** Aug. 7, 2012**

(54) **PACKAGE CARRIER**

(75) Inventors: **Tsung-Kang Ying**, New Taipei (TW);
Shih Chung Huang, New Taipei (TW);
Chia-Ming Tu, New Taipei (TW);
Chi-Ju Shen, Hualien County (TW)

(73) Assignees: **Silitek Electronic (Guangzhou) Co., Ltd.**, Guangzhou (CN); **Lite-On Technology Corporation**, Taipei (TW)

(**) Term: **14 Years**

(21) Appl. No.: **29/399,333**

(22) Filed: **Aug. 12, 2011**

(51) **LOC (9) Cl.** **13-03**

(52) **U.S. Cl.** **D13/180**

(58) **Field of Classification Search** D13/180;
D26/1, 2; 257/79, 80, 81, 88, 89, 95, 98,
257/99, 100, E33.058; 313/483, 498, 500;
362/555, 800

See application file for complete search history.

(56) **References Cited**

U.S. PATENT DOCUMENTS

D606,950 S *	12/2009	Ariizumi	D13/180
D607,421 S *	1/2010	Park et al.	D13/180
7,675,145 B2 *	3/2010	Wong et al.	257/676
D622,232 S *	8/2010	Lai et al.	D13/180
7,855,392 B2 *	12/2010	Wu et al.	257/98
7,888,689 B2 *	2/2011	Kim et al.	257/81
D651,183 S *	12/2011	Lai et al.	D13/180

8,089,075 B2 *	1/2012	Chuan et al.	257/81
8,101,962 B2 *	1/2012	Chiang	257/98
2004/0232435 A1 *	11/2004	Hofer et al.	257/99
2007/0269927 A1 *	11/2007	Hofer et al.	438/106
2009/0283781 A1 *	11/2009	Chan et al.	257/89
2010/0213502 A1 *	8/2010	Kashiwagi et al.	257/100
2010/0307799 A1 *	12/2010	Chiang	174/255
2010/0308352 A1 *	12/2010	Liao et al.	257/89

* cited by examiner

Primary Examiner — Selina Sikder

(74) *Attorney, Agent, or Firm* — Li & Cai Intellectual Property (USA) Office

(57) **CLAIM**

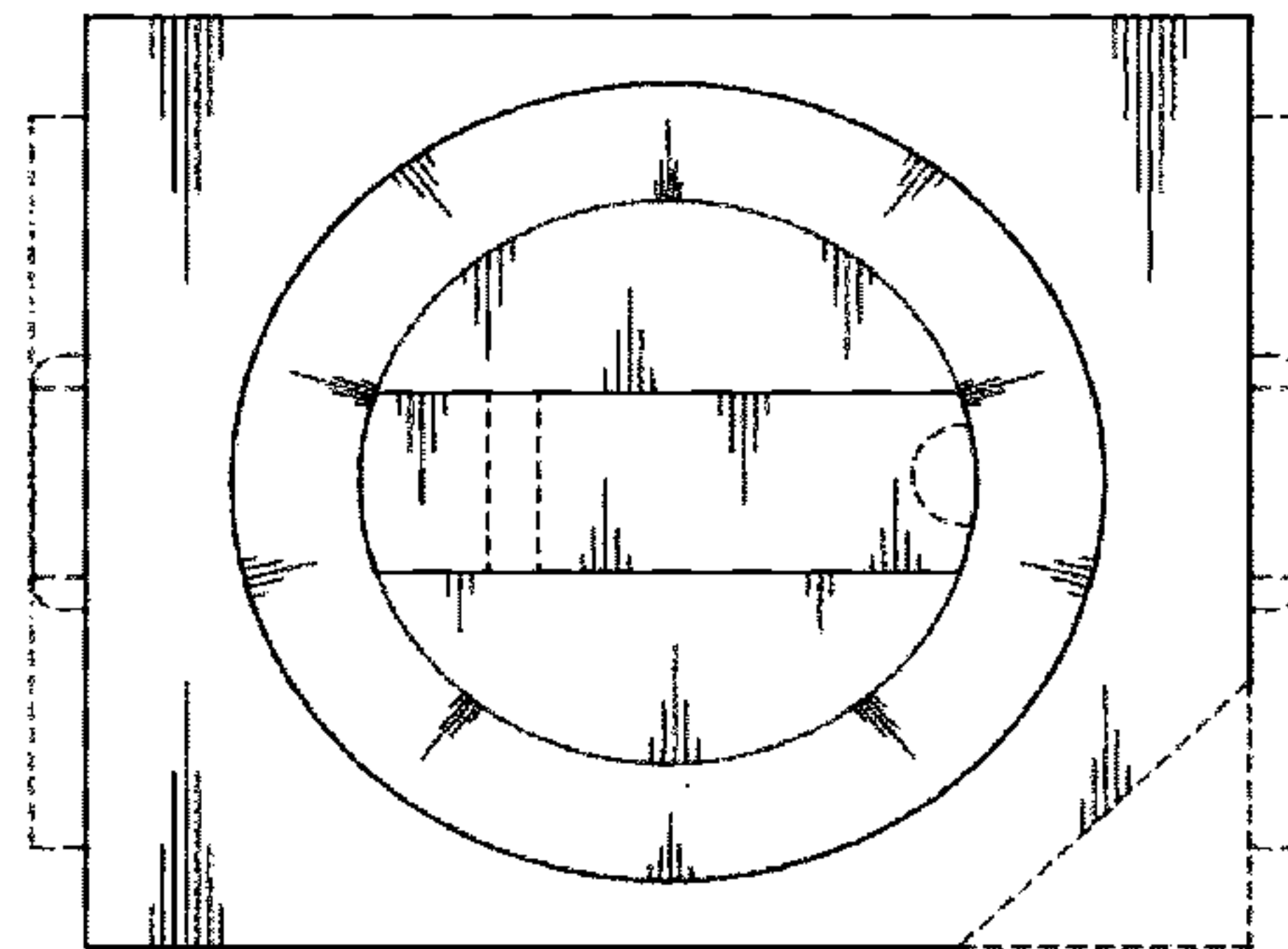
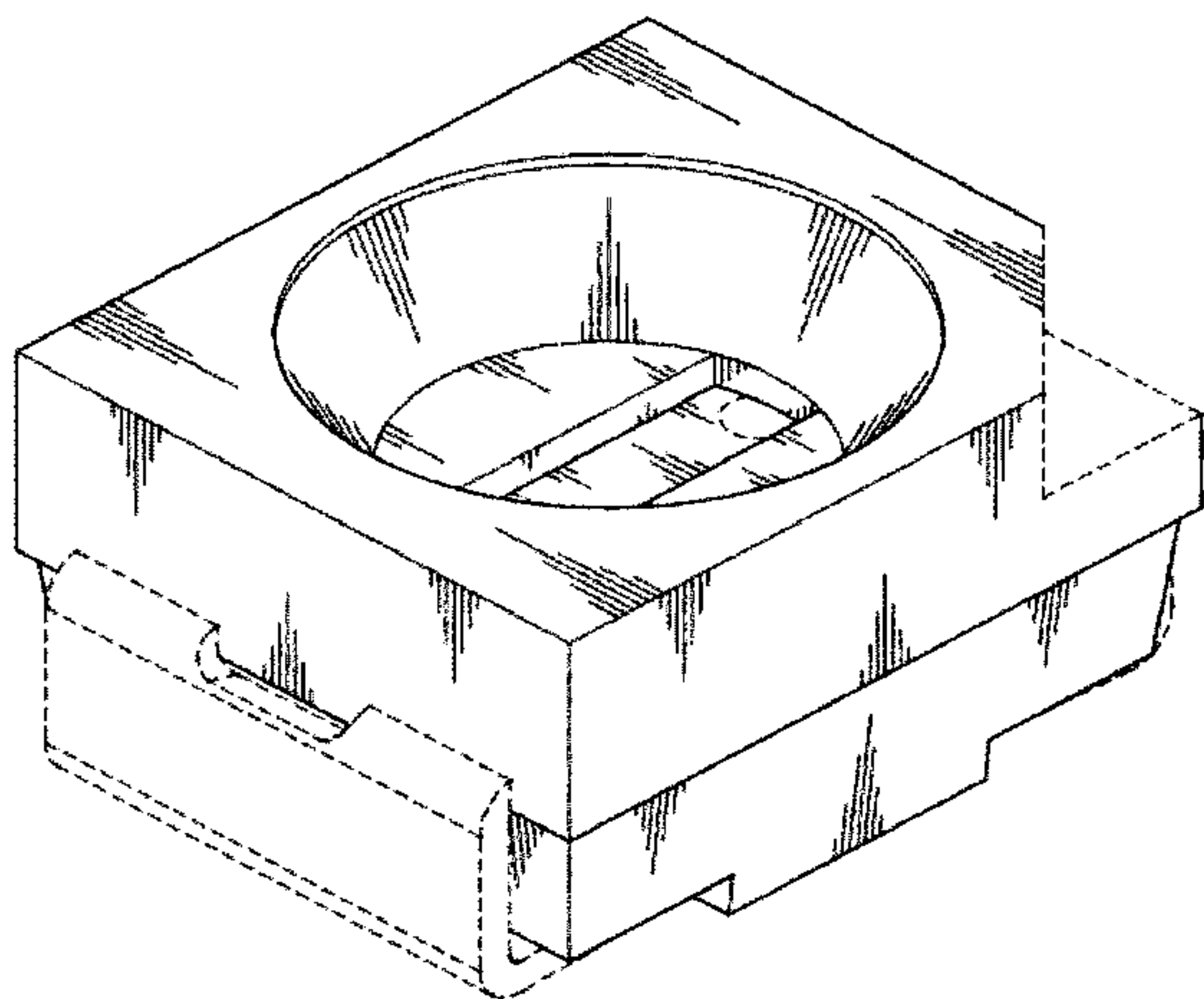
The ornamental design for a “package carrier,” as shown and described.

DESCRIPTION

FIG. 1 is a perspective view of a “package carrier” showing my new design;
FIG. 2 is a front view thereof;
FIG. 3 is a rear view thereof;
FIG. 4 is a left side view thereof;
FIG. 5 is a right side view thereof;
FIG. 6 is a top view thereof;
FIG. 7 is a bottom view thereof; and,
FIG. 8 is a perspective view viewed from another visual angle.

The dashed lines in the drawings are for illustrative purpose only and form no part of the claimed design.

1 Claim, 5 Drawing Sheets



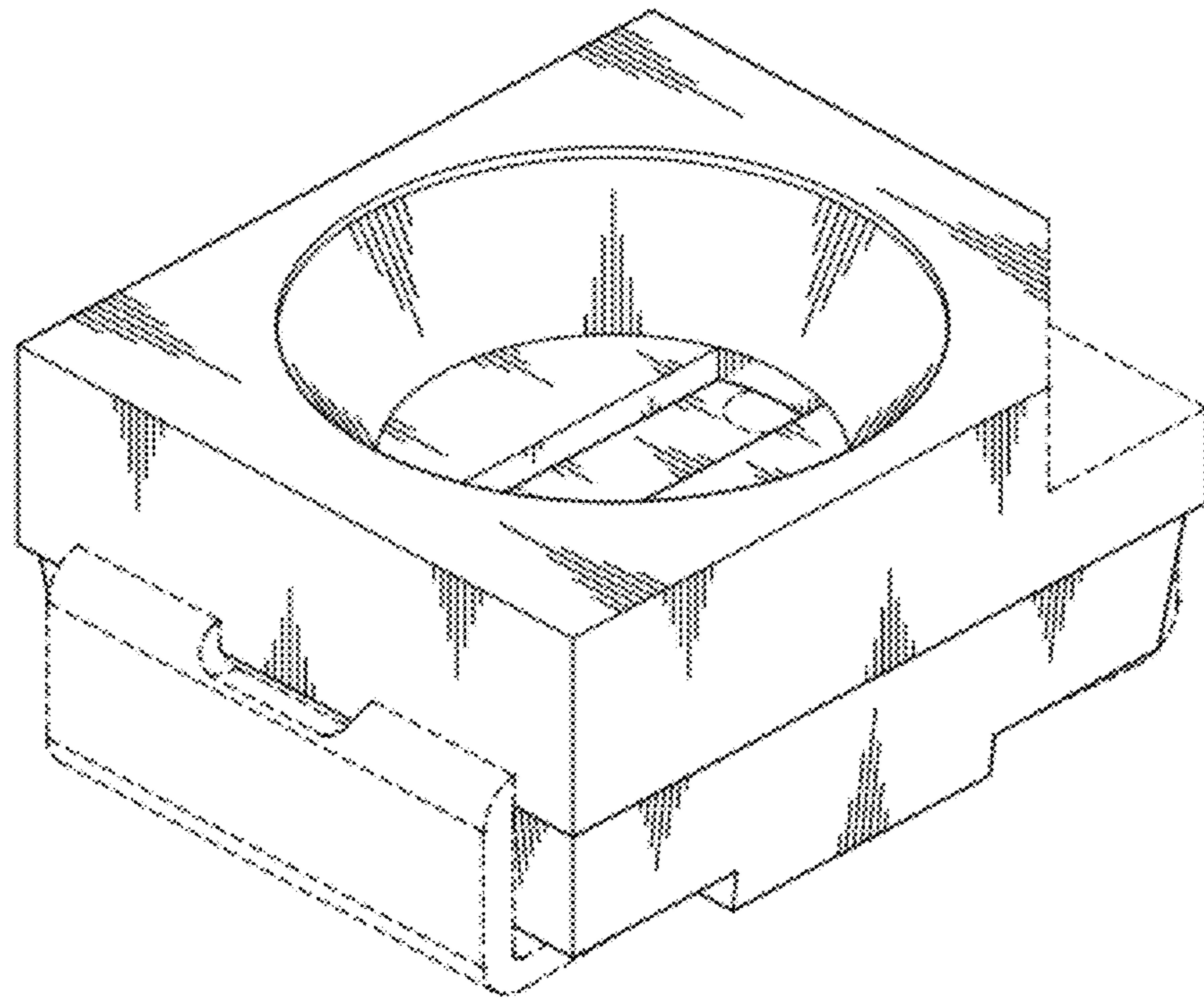


FIG. 1

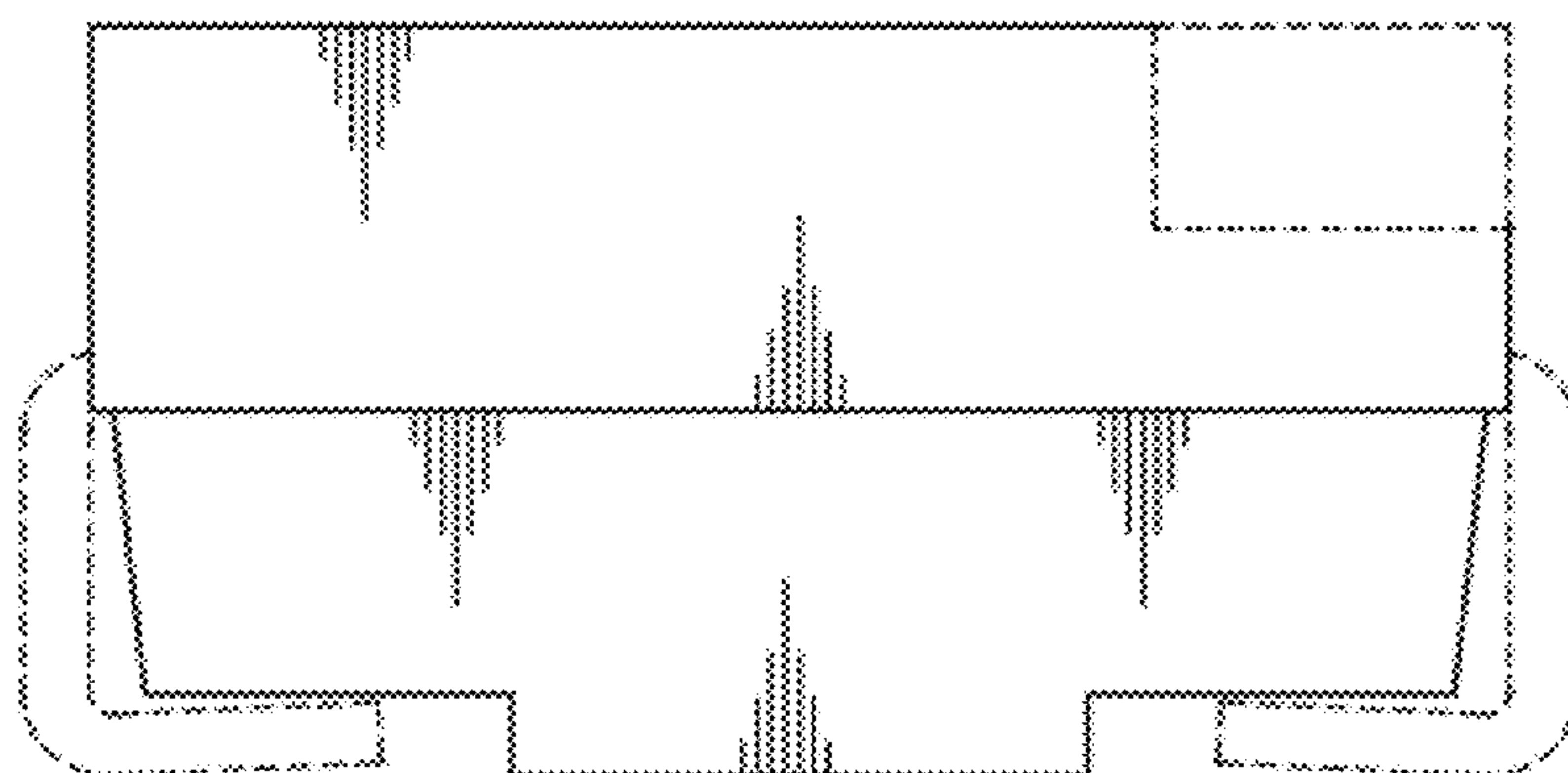


FIG. 2

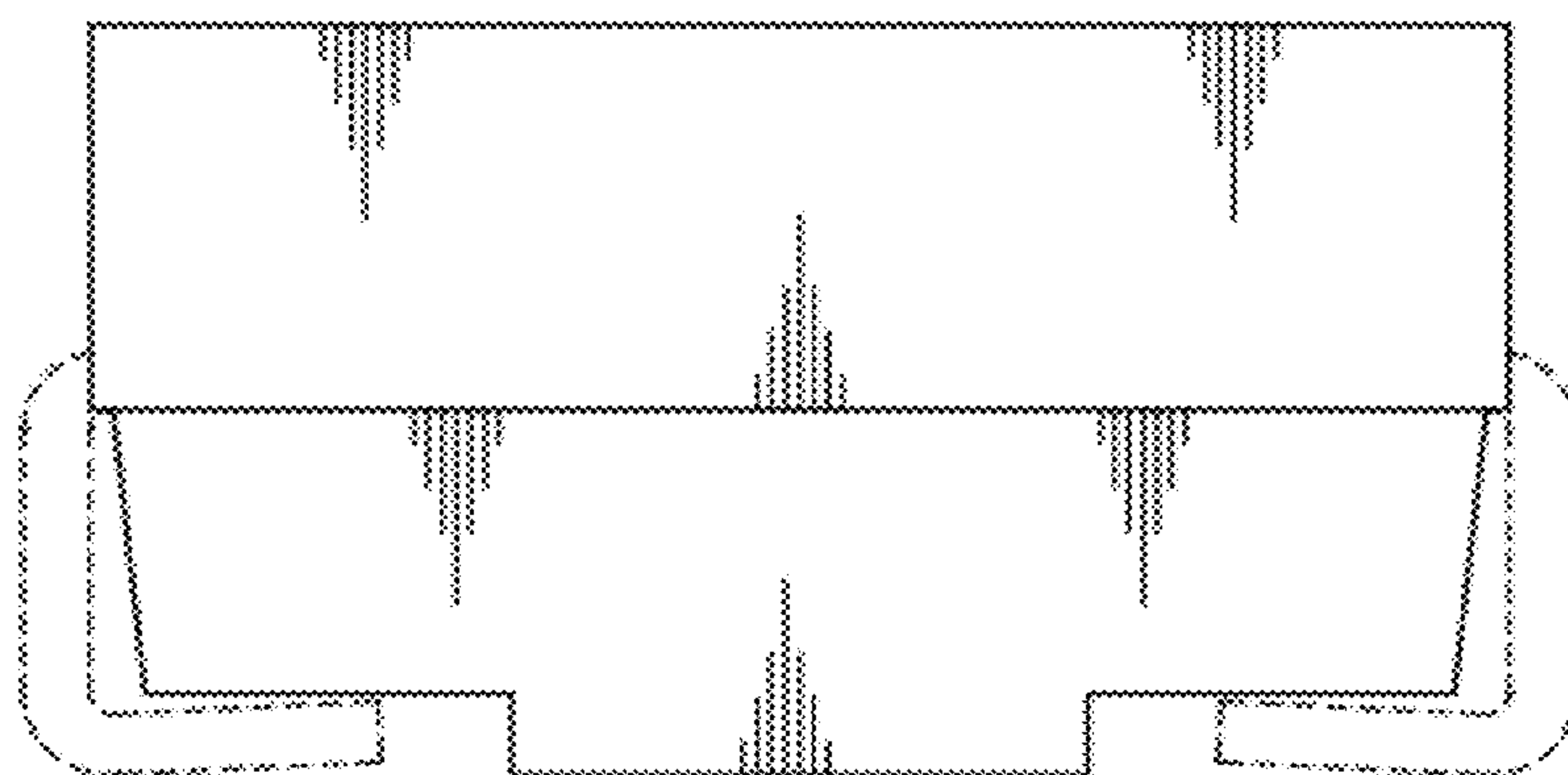


FIG. 3

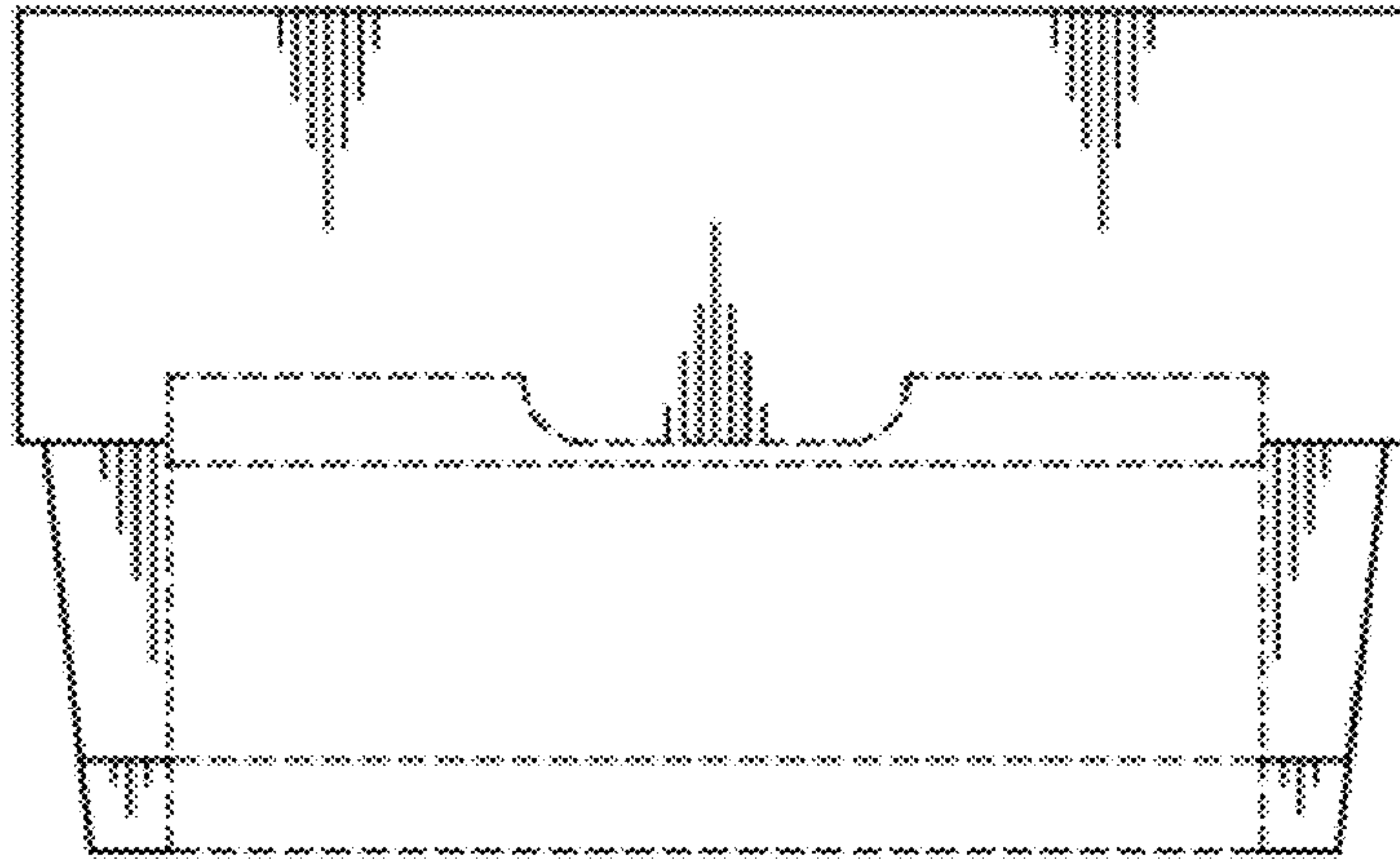


FIG. 4

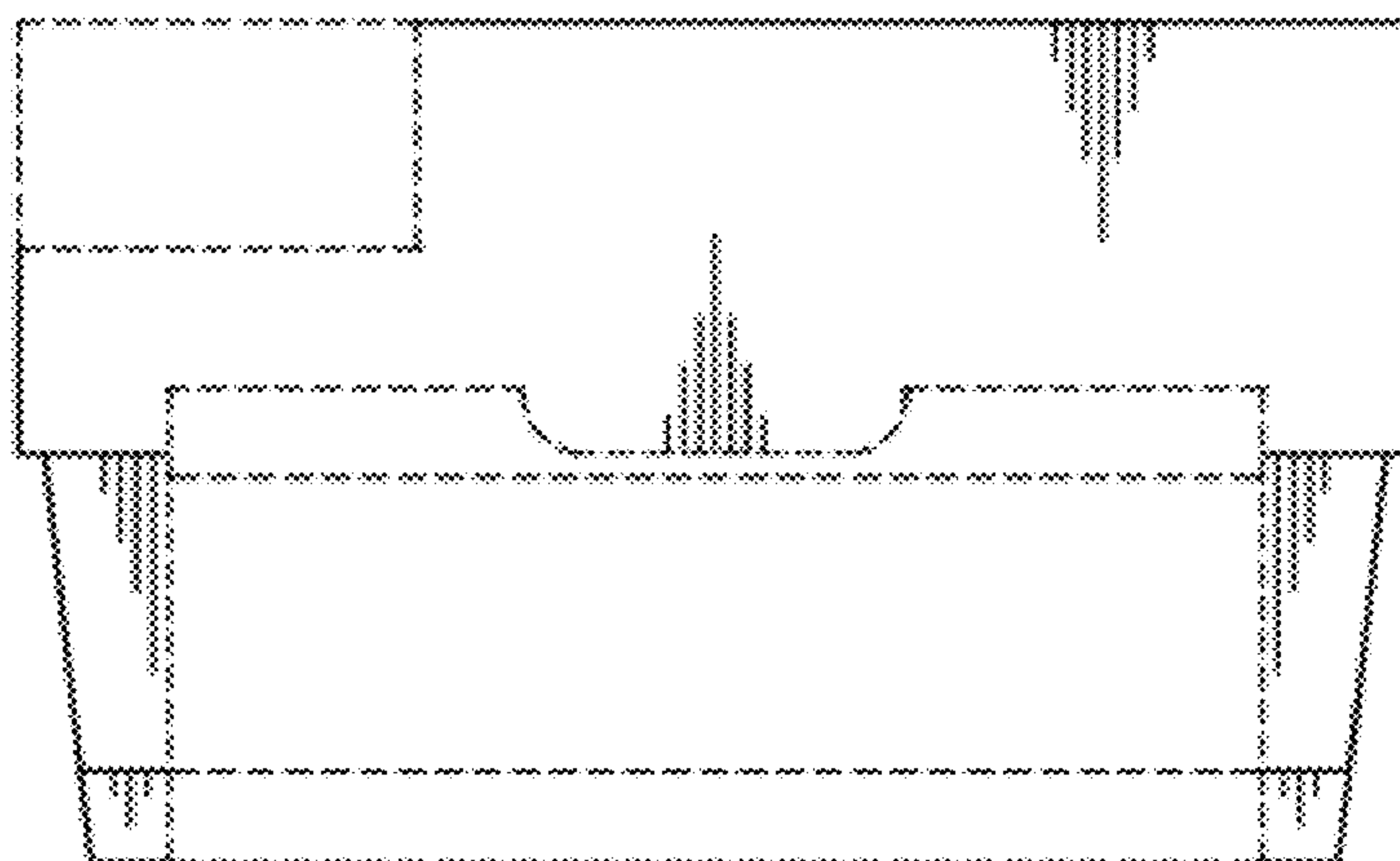


FIG. 5

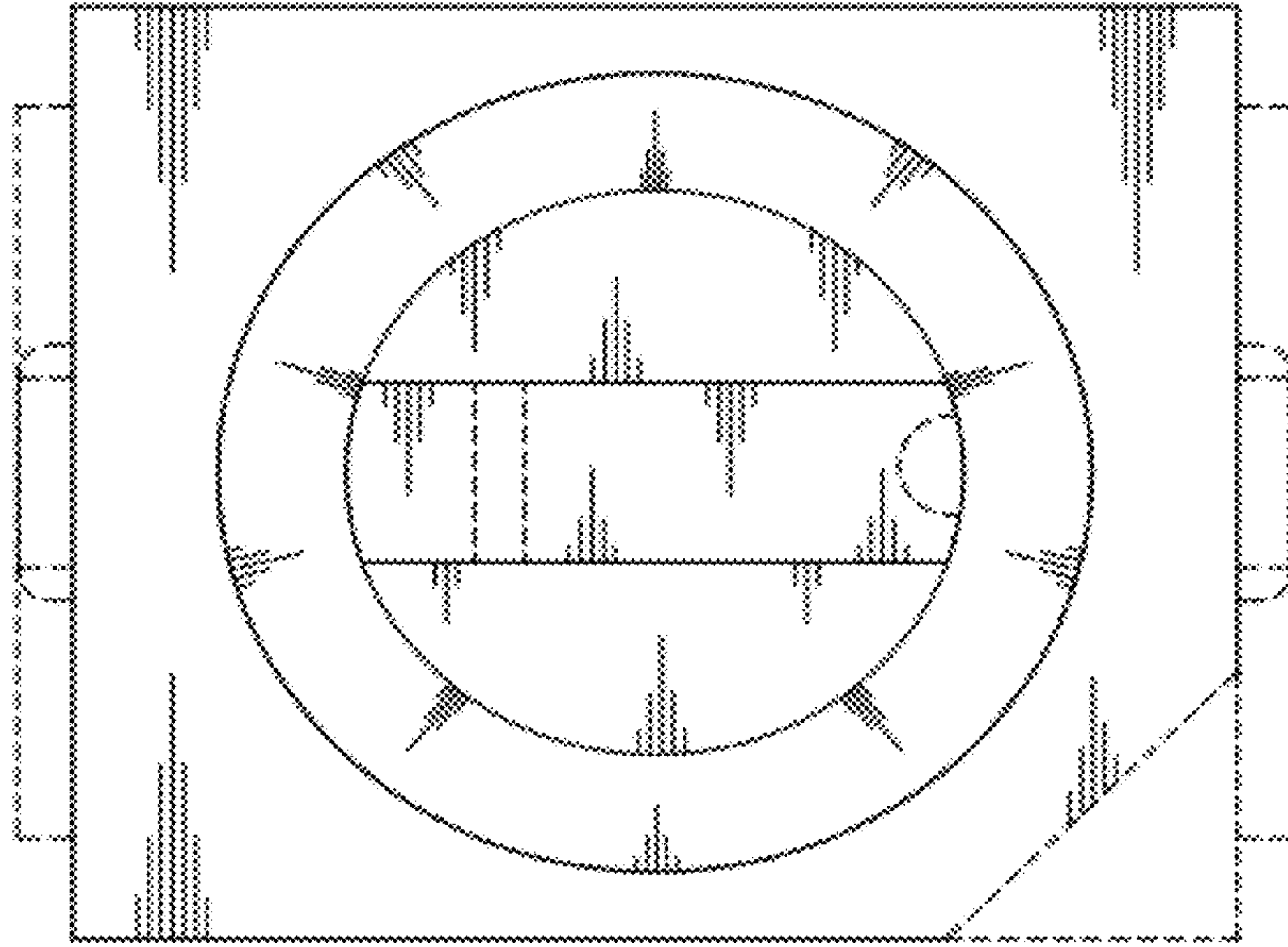


FIG. 6

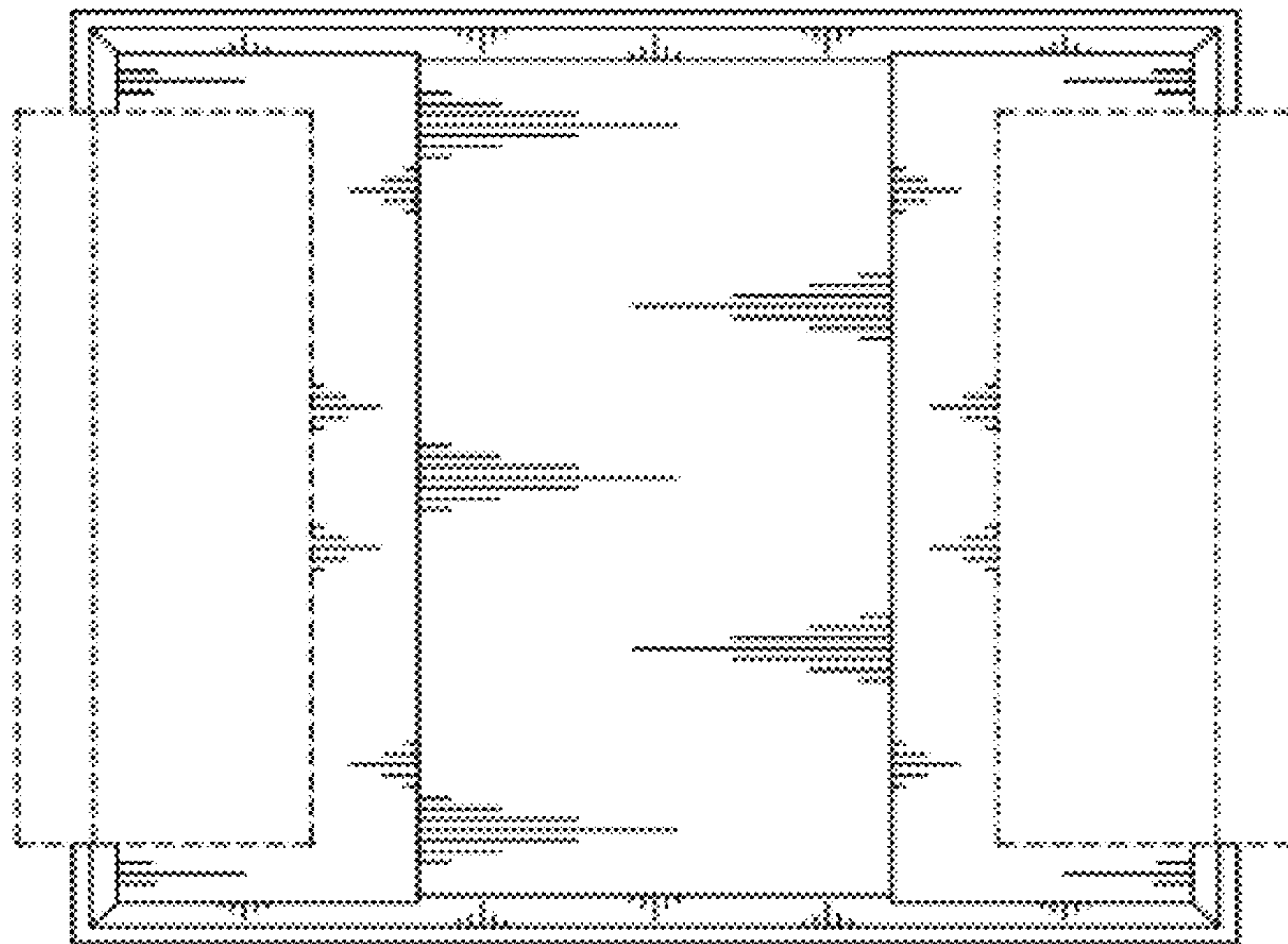


FIG. 7

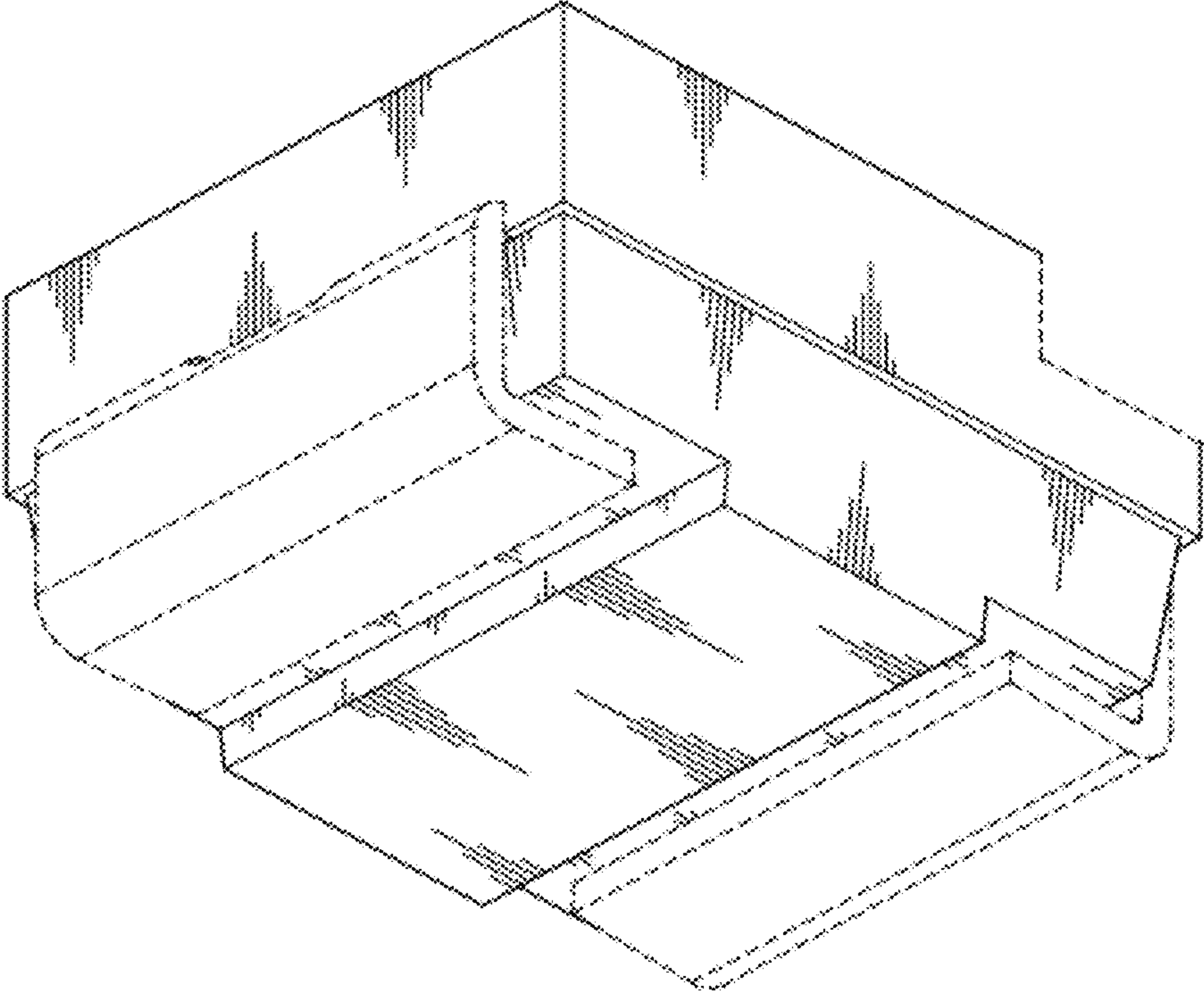


FIG. 8