



US00D664936S

(12) **United States Design Patent**  
**Nakayama et al.**

(10) **Patent No.:** **US D664,936 S**

(45) **Date of Patent:** **\*\* Aug. 7, 2012**

(54) **FUSE HOLDER**

(75) Inventors: **Makoto Nakayama**, Kakegawa (JP);  
**Takahiko Mitsui**, Kakegawa (JP)

(73) Assignee: **Yazaki Corporation**, Tokyo (JP)

(\*\*) Term: **14 Years**

(21) Appl. No.: **29/375,511**

(22) Filed: **Sep. 23, 2010**

(30) **Foreign Application Priority Data**

Mar. 26, 2010 (JP) ..... 2010-007425

(51) **LOC (9) Cl.** ..... **13-03**

(52) **U.S. Cl.** ..... **D13/178**

(58) **Field of Classification Search** ..... D13/160,  
D13/178; 174/66; 337/186, 198, 290, 295;  
361/837; 439/606, 620.26, 620.28, 620.33,  
439/620.34, 668, 669

See application file for complete search history.

(56) **References Cited**

**U.S. PATENT DOCUMENTS**

4,951,018 A \* 8/1990 Hanson et al. .... 335/132  
5,059,754 A \* 10/1991 Kaichi et al. .... 200/332.1  
5,296,663 A \* 3/1994 Borchardt et al. .... 200/295  
6,806,426 B1 \* 10/2004 Gretz ..... 174/67  
D563,331 S \* 3/2008 Rosen ..... D13/177

7,762,415 B2 \* 7/2010 Matsui ..... 220/4.02  
2004/0245302 A1 \* 12/2004 McNicholas ..... 224/482  
2007/0040679 A1 \* 2/2007 Klosinski ..... 340/572.1

\* cited by examiner

*Primary Examiner* — Selina Sikder

(74) *Attorney, Agent, or Firm* — Kratz, Quintos & Hanson,  
LLP

(57) **CLAIM**

The ornamental design for an fuse holder, as shown and described.

**DESCRIPTION**

FIG. 1 is a front elevational view of the fuse holder of the present invention;

FIG. 2 is a left side view thereof, the right side view being a mirror image thereof;

FIG. 3 is a top plan view thereof;

FIG. 4 is a bottom plan view thereof;

FIG. 5 is a cross-sectional view thereof taken along line 5-5 of FIG. 1;

FIG. 6 is a cross-sectional view thereof taken along line 6-6 of FIG. 2;

FIG. 7 is a cross-sectional view thereof taken along line 7-7 of FIG. 1;

FIG. 8 is a perspective view thereof; and,

FIG. 9 is a front view similar to FIG. 1 showing a fuse in use. The broken lines shown on the drawings are included for the purpose of illustrating environmental structure and form no part of the claimed design.

**1 Claim, 5 Drawing Sheets**

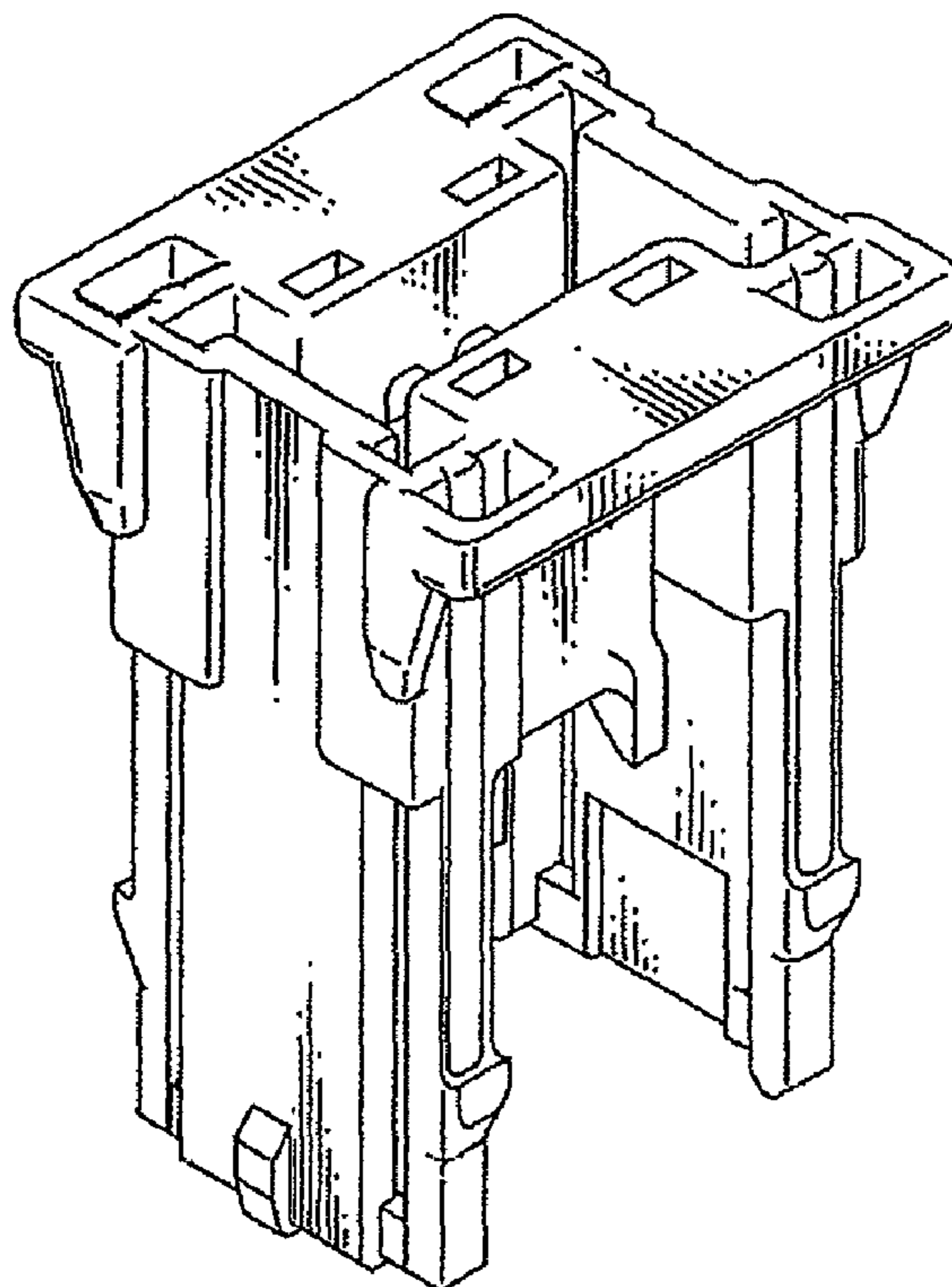


FIG. 1

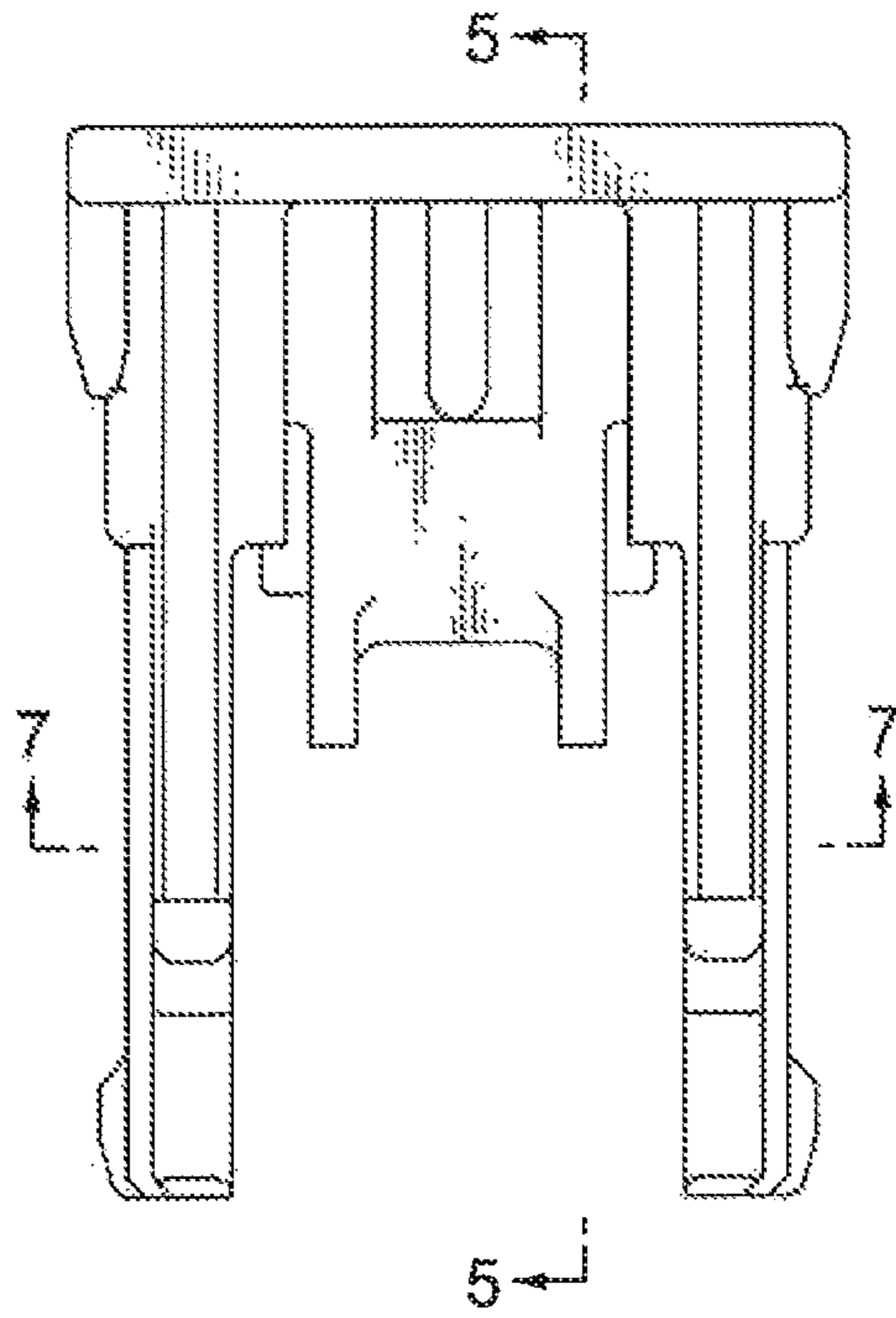


FIG. 2

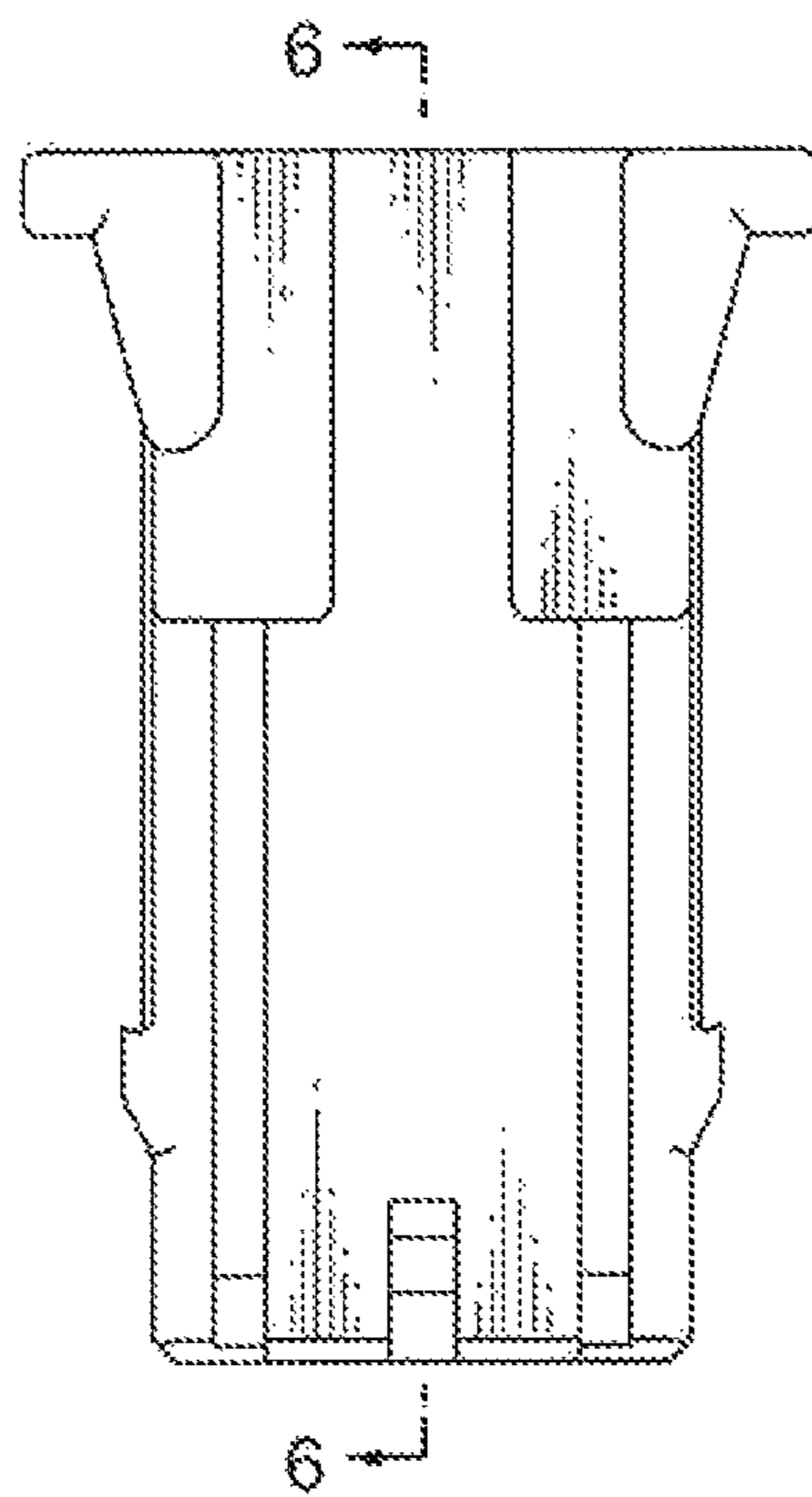


FIG. 3

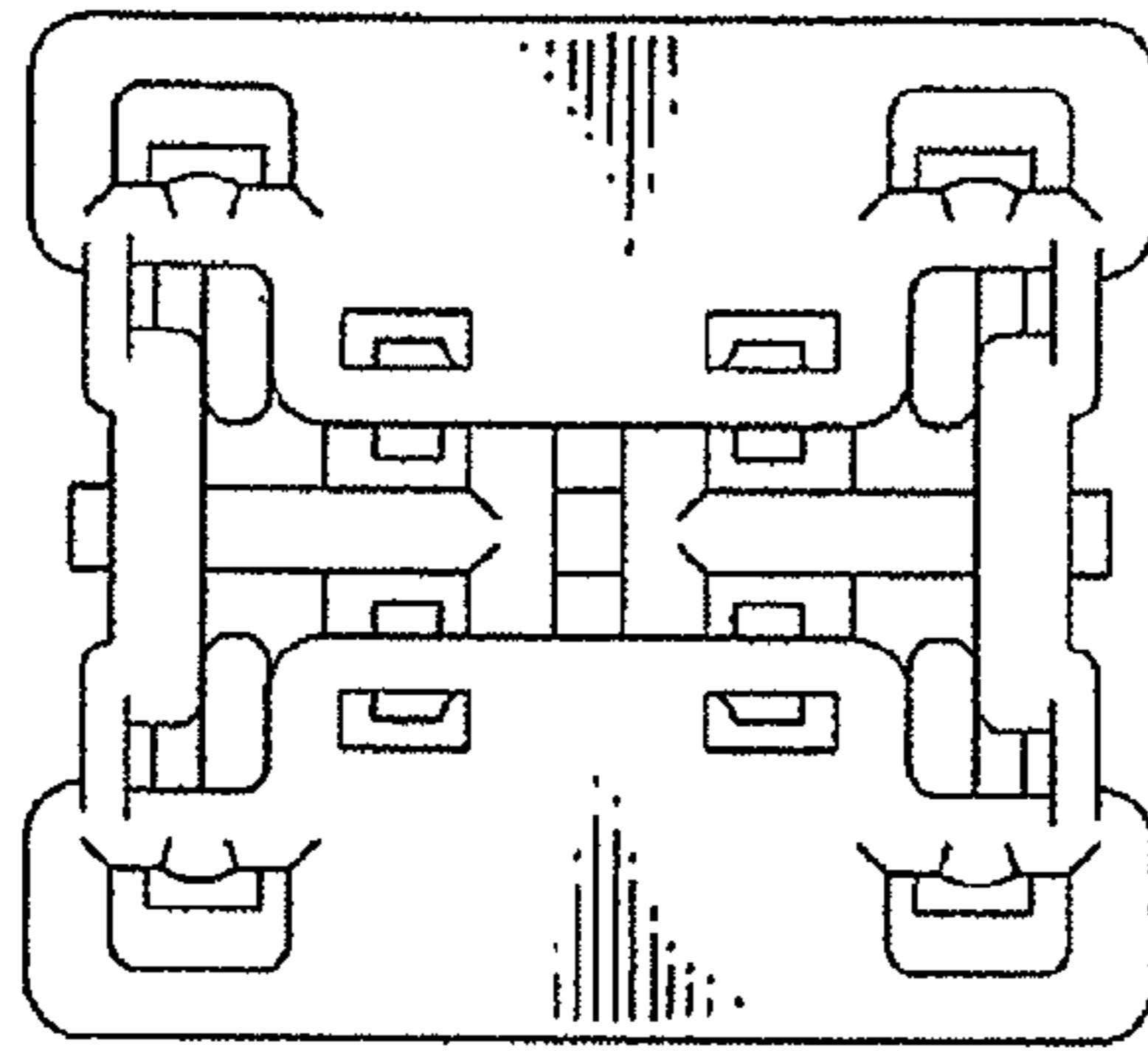


FIG. 4

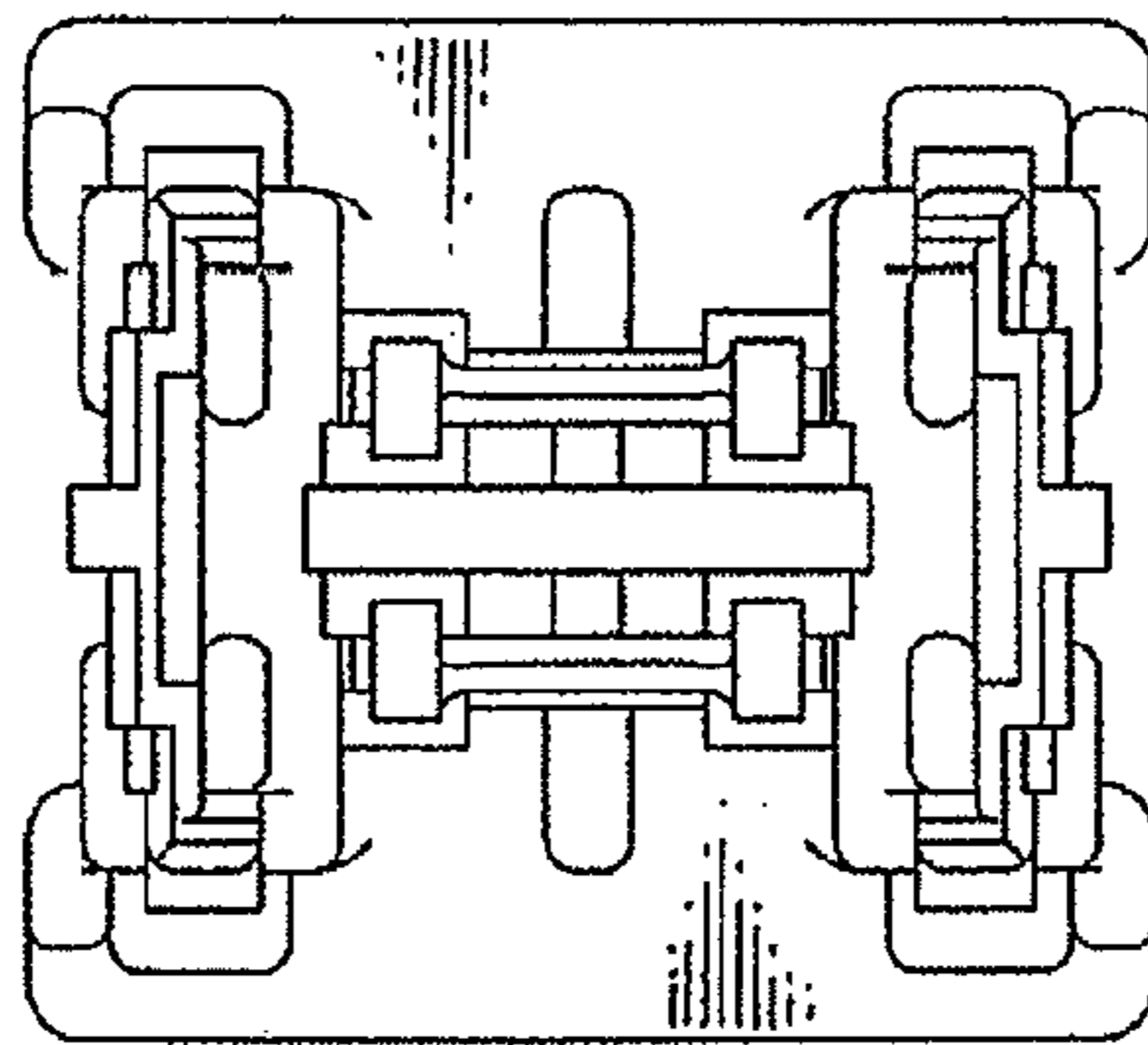


FIG. 5

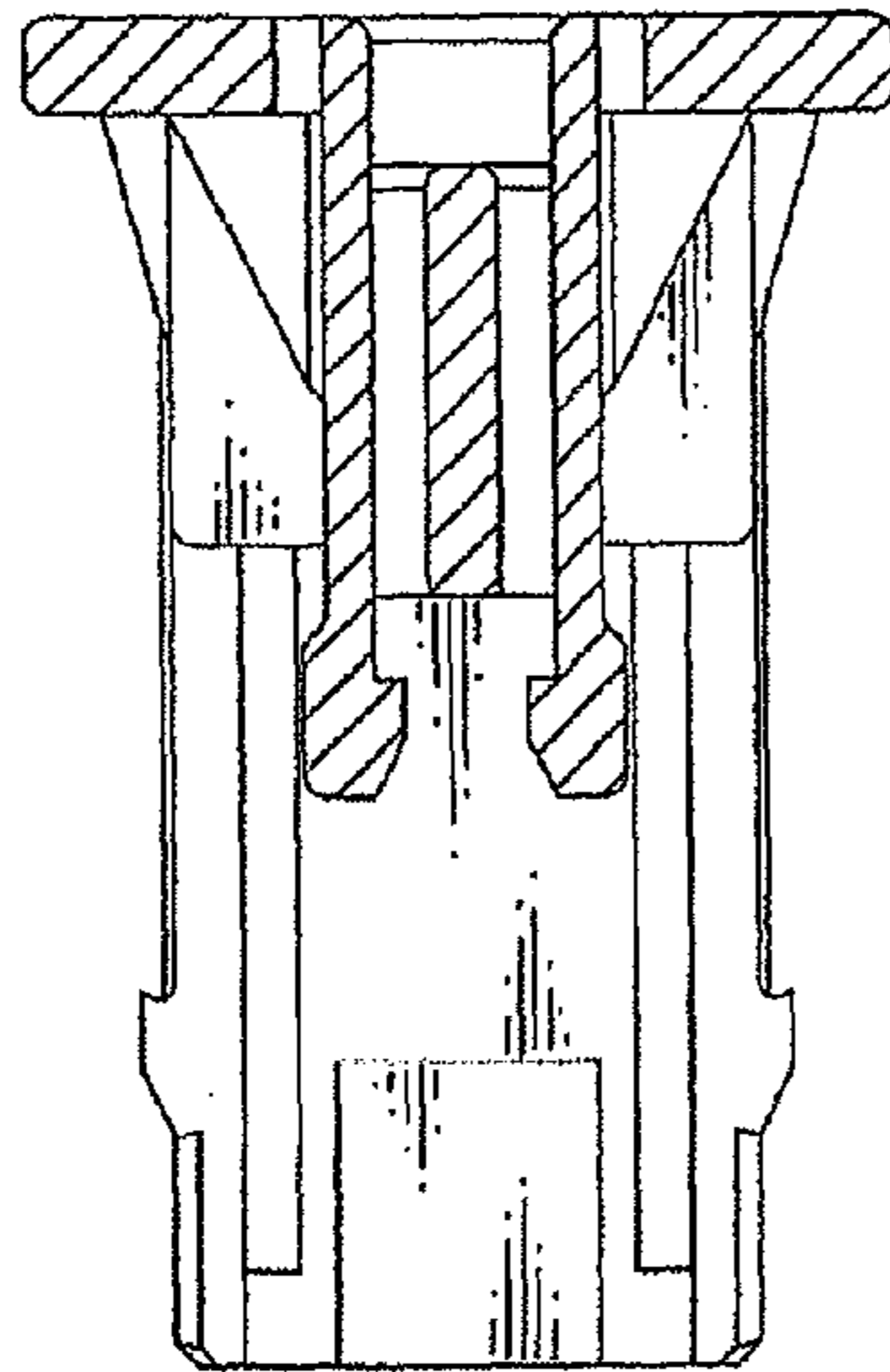


FIG. 6

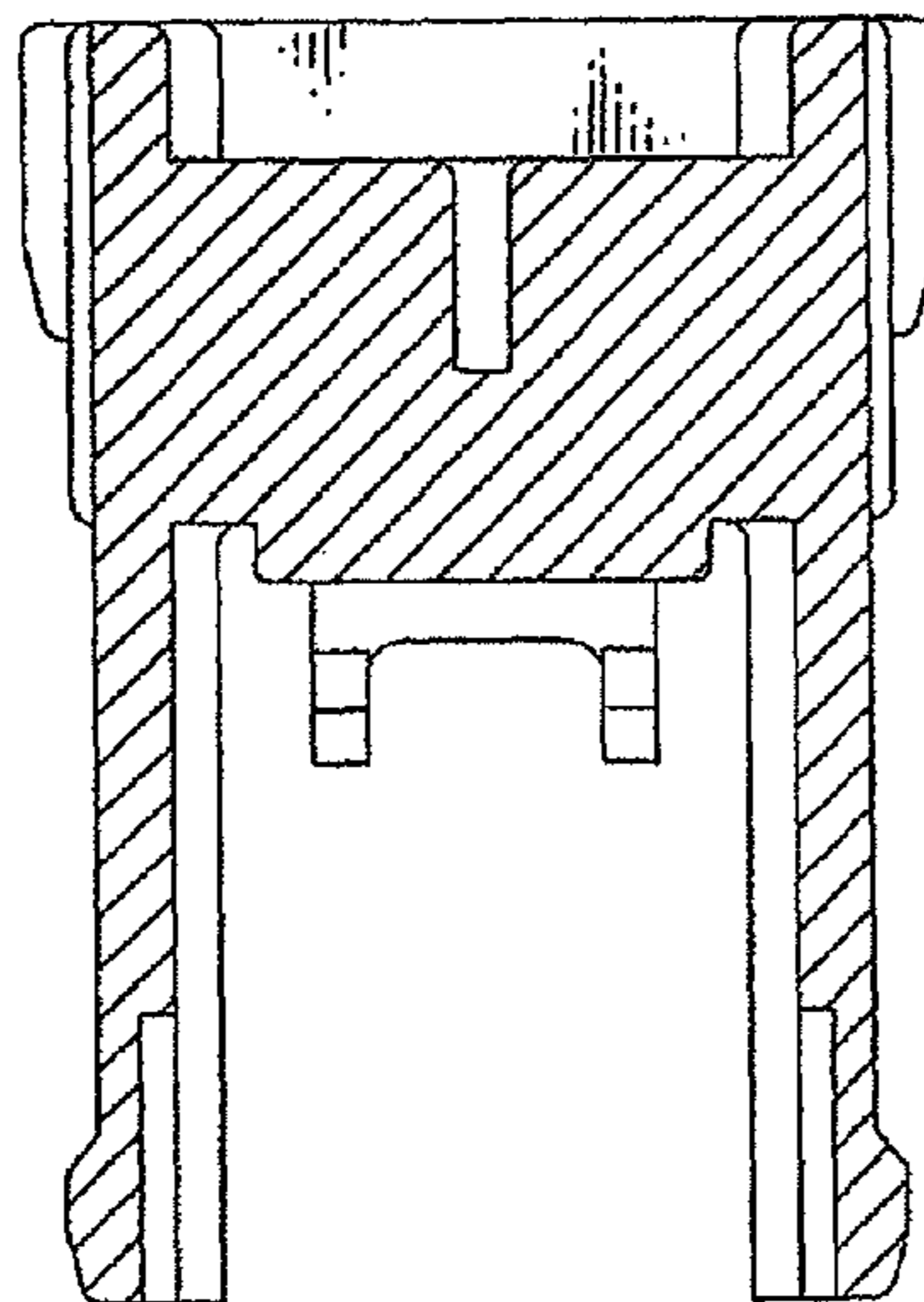


FIG. 7

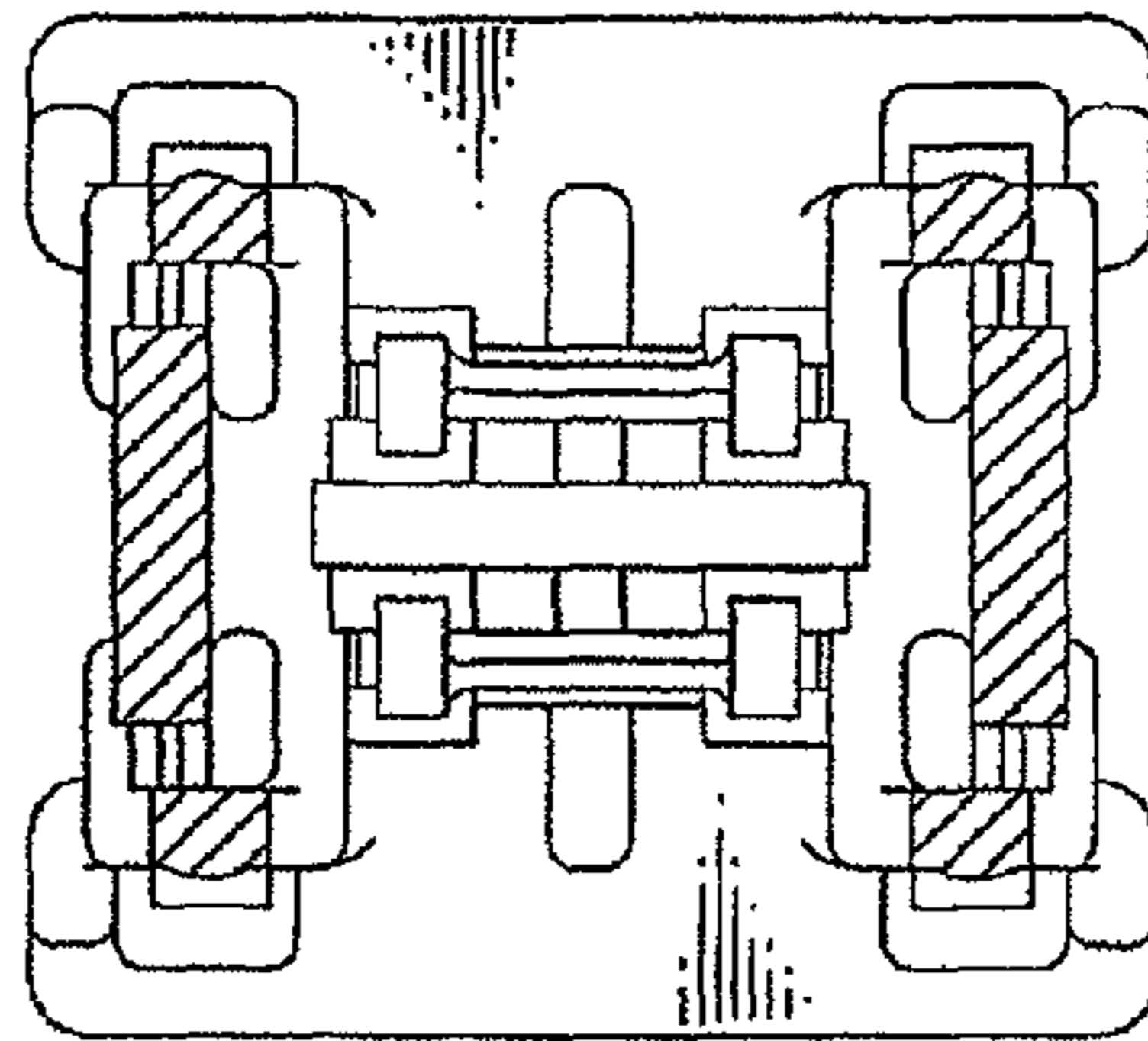


FIG. 8

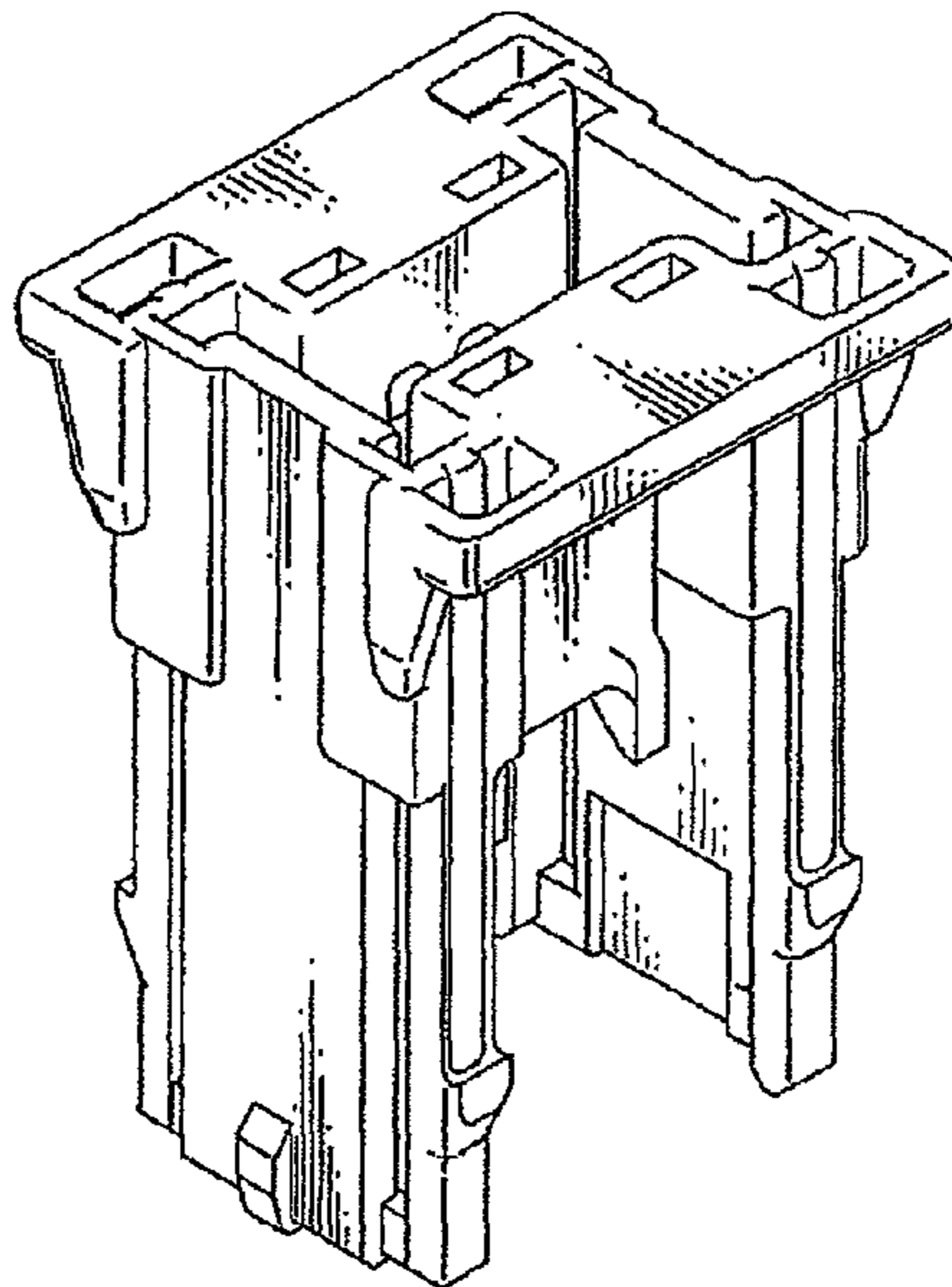


FIG. 9

