



US00D664934S

(12) **United States Design Patent**  
**Lin**

(10) **Patent No.:** **US D664,934 S**

(45) **Date of Patent:** **\*\* Aug. 7, 2012**

(54) **CONTROL PANEL FOR POWER SUPPLY (I)**

(75) Inventor: **Mu-Chun Lin**, Taichung (TW)

(73) Assignee: **Chyng Hong Electronic Co.**, Taichung (TW)

(\*\*) Term: **14 Years**

(21) Appl. No.: **29/406,467**

(22) Filed: **Nov. 15, 2011**

(51) **LOC (9) Cl.** ..... **13-03**

(52) **U.S. Cl.** ..... **D13/177**

(58) **Field of Classification Search** ..... D13/162,  
D13/177; D14/257; 174/66, 67; 200/5 R,  
200/5 A, 5 E, 293, 296, 302.2, 339; 220/241;  
439/489, 540.1

See application file for complete search history.

(56) **References Cited**

U.S. PATENT DOCUMENTS

D225,469 S	*	12/1972	Gray	.....	D24/164
D285,066 S	*	8/1986	Liss et al.	.....	D13/177
D287,243 S	*	12/1986	Tope	.....	D13/164
D337,754 S	*	7/1993	Peterson et al.	.....	D13/164
D344,684 S	*	3/1994	Metz et al.	.....	D10/103
D357,461 S	*	4/1995	Zaplatynsky et al.	.....	D13/177
D358,106 S	*	5/1995	Zaplatynsky et al.	.....	D10/103
D382,880 S	*	8/1997	Cienkus et al.	.....	D14/240

D424,526 S	*	5/2000	Yang	.....	D13/177
D601,514 S	*	10/2009	Lin	.....	D13/177
D619,108 S	*	7/2010	Lin	.....	D13/177
D659,108 S	*	5/2012	Lin	.....	D13/177
D659,653 S	*	5/2012	Lin	.....	D13/177

\* cited by examiner

*Primary Examiner* — Selina Sikder

(74) *Attorney, Agent, or Firm* — Ming Chow; Sinorica, LLC

(57) **CLAIM**

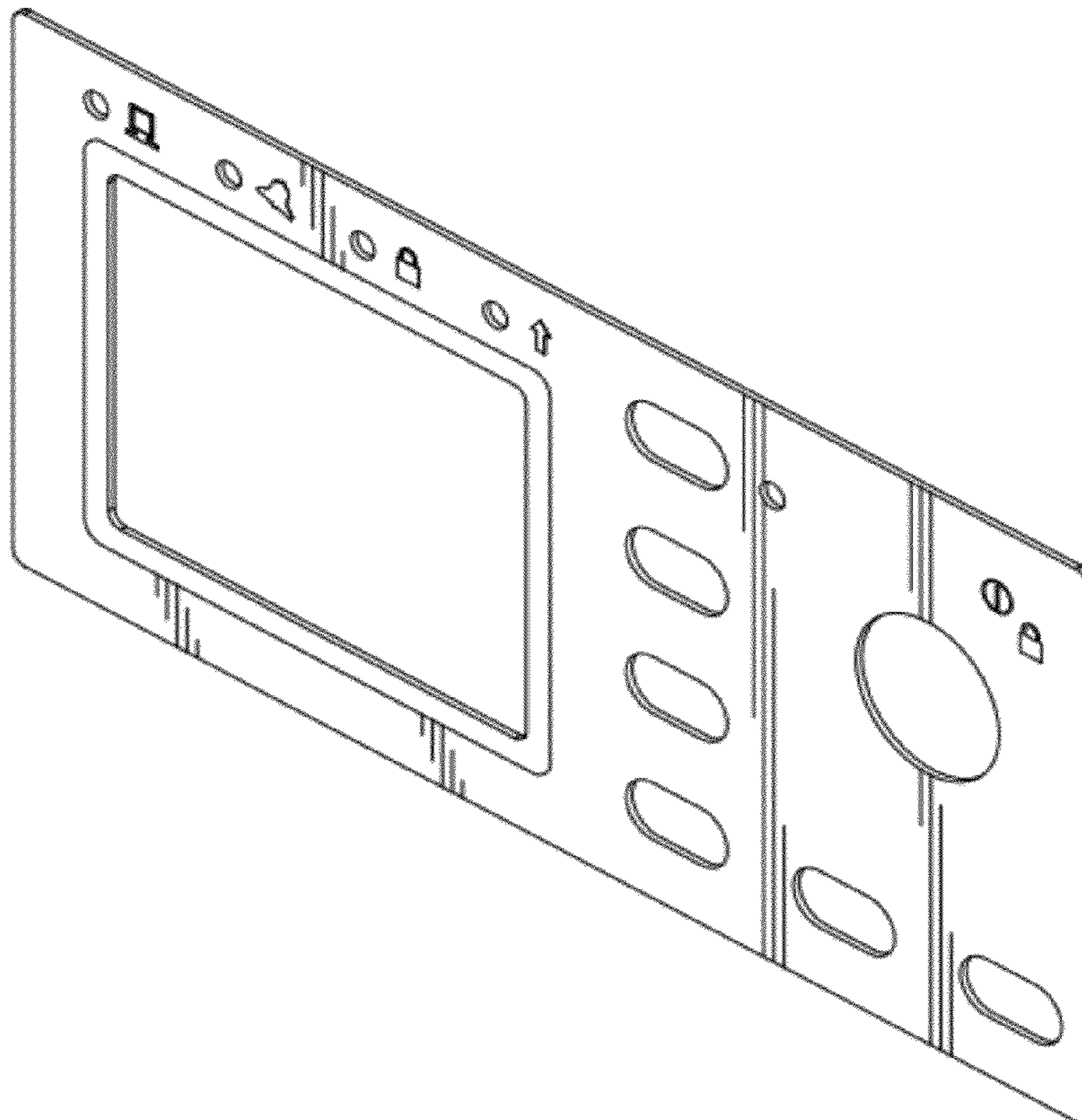
I claim the ornamental design for a control panel for power supply (I), as shown and described.

**DESCRIPTION**

FIG. 1 is a front perspective view of a control panel for power supply (I) showing my new design; FIG. 2 is a front elevational view thereof; FIG. 3 is a rear elevational view thereof; FIG. 4 is a left side elevational view thereof; FIG. 5 is a right side elevational view thereof; FIG. 6 is a top plan view thereof; FIG. 7 is a bottom plan view thereof; and, FIG. 8 is a front end view of the control panel for power supply (I) in accordance with my design, shown in its environment thereof.

The broken lines are for the purpose of illustrating environmental structure and form no part of the claimed design.

**1 Claim, 5 Drawing Sheets**



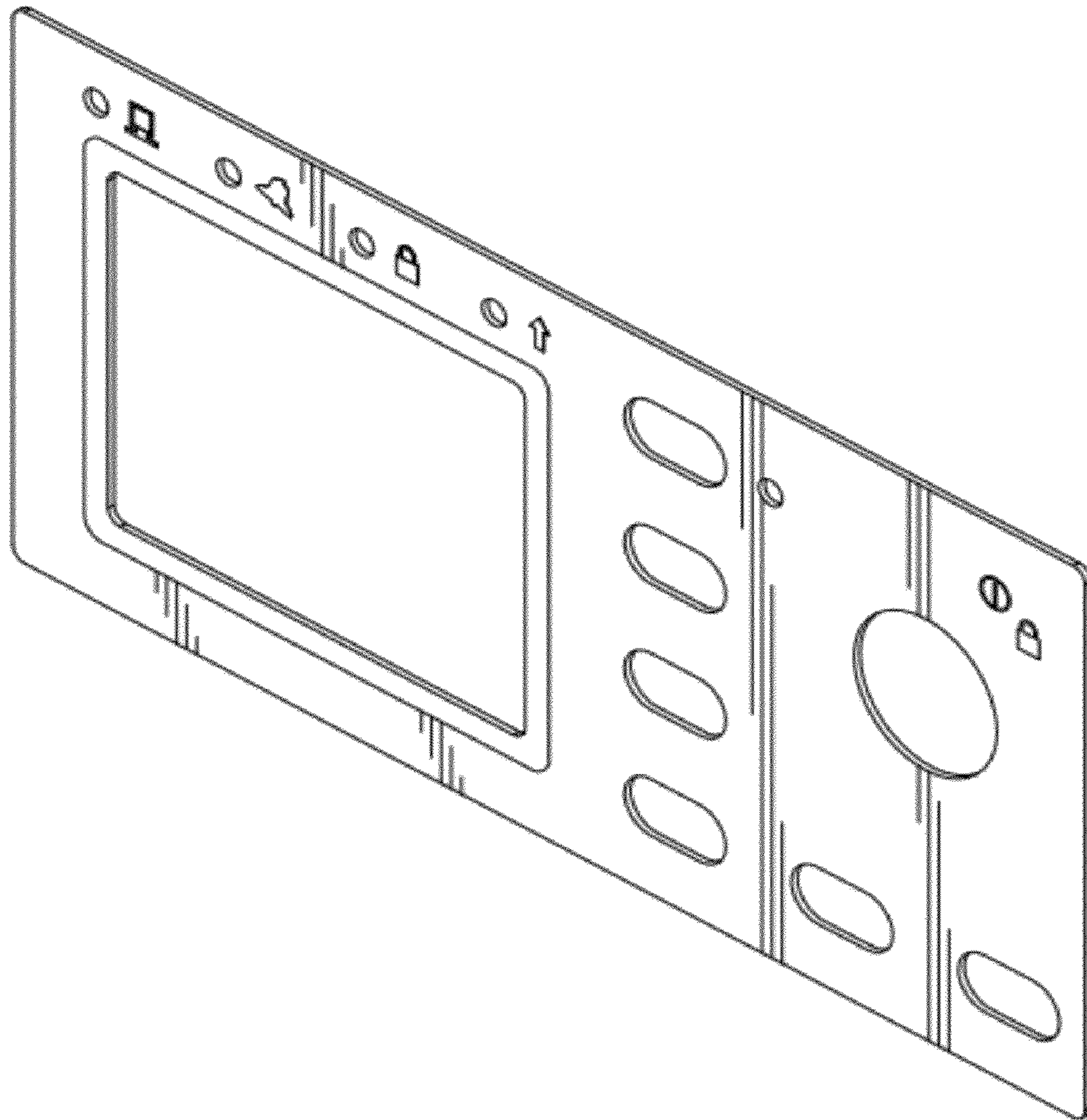


FIG. 1

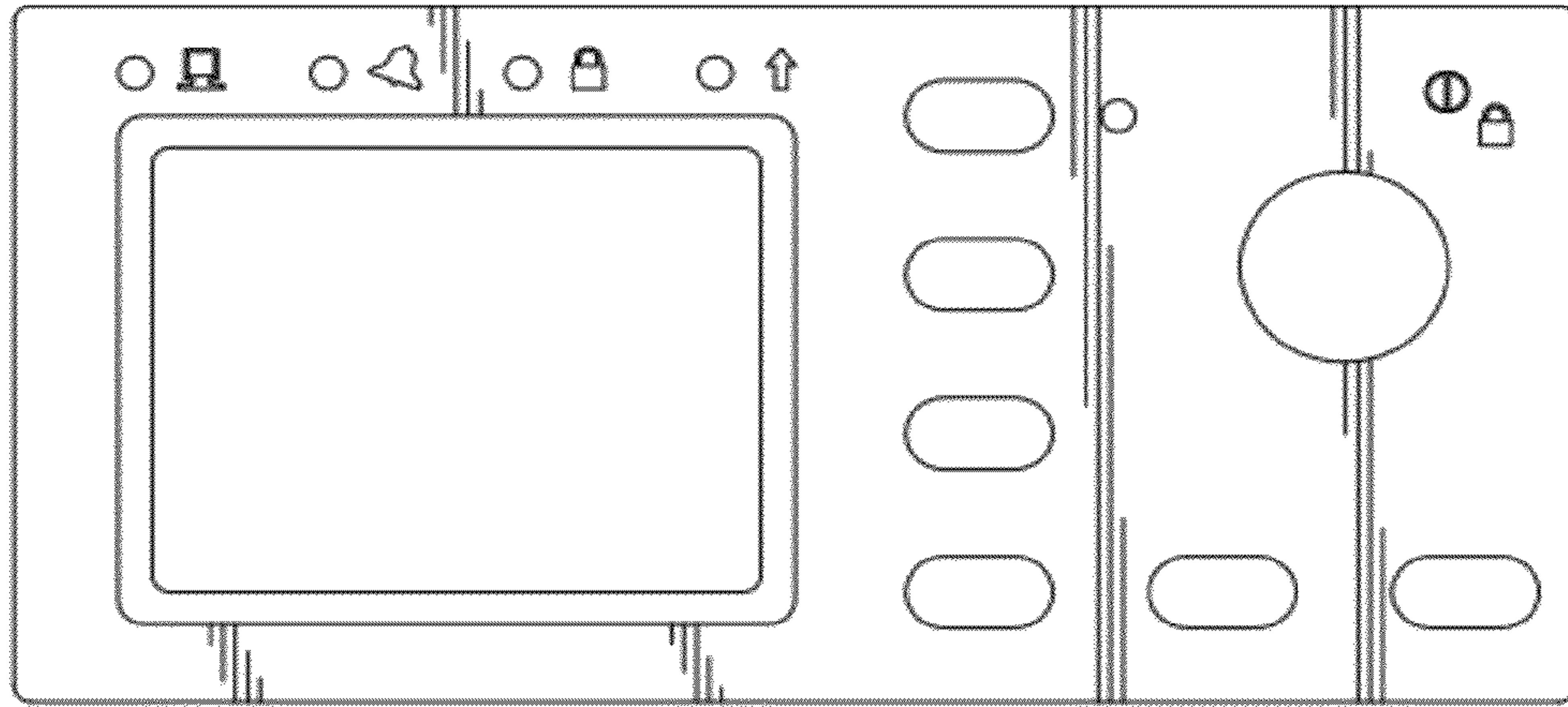


FIG. 2

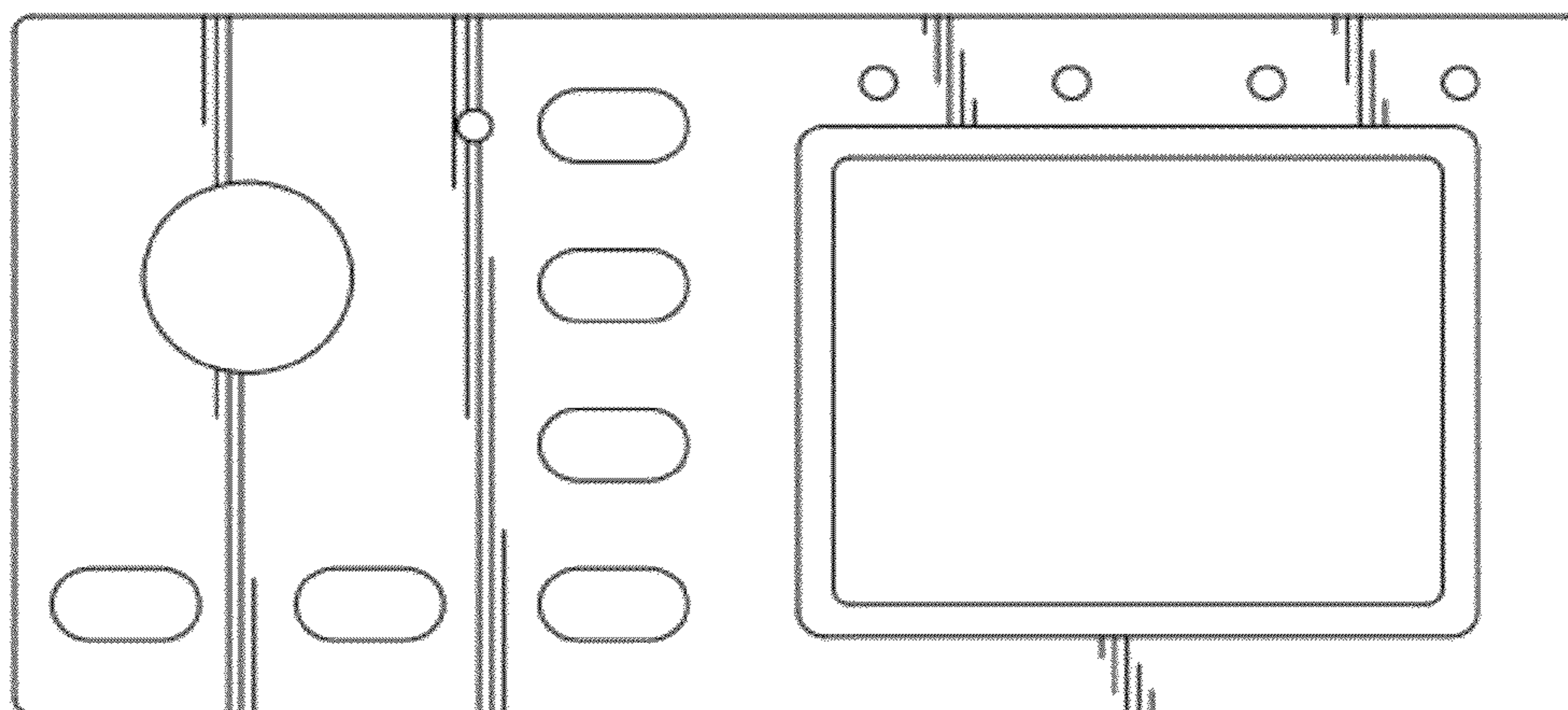


FIG. 3



FIG. 4



FIG. 5

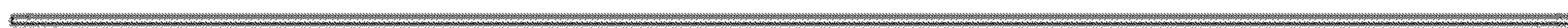


FIG. 6



FIG. 7

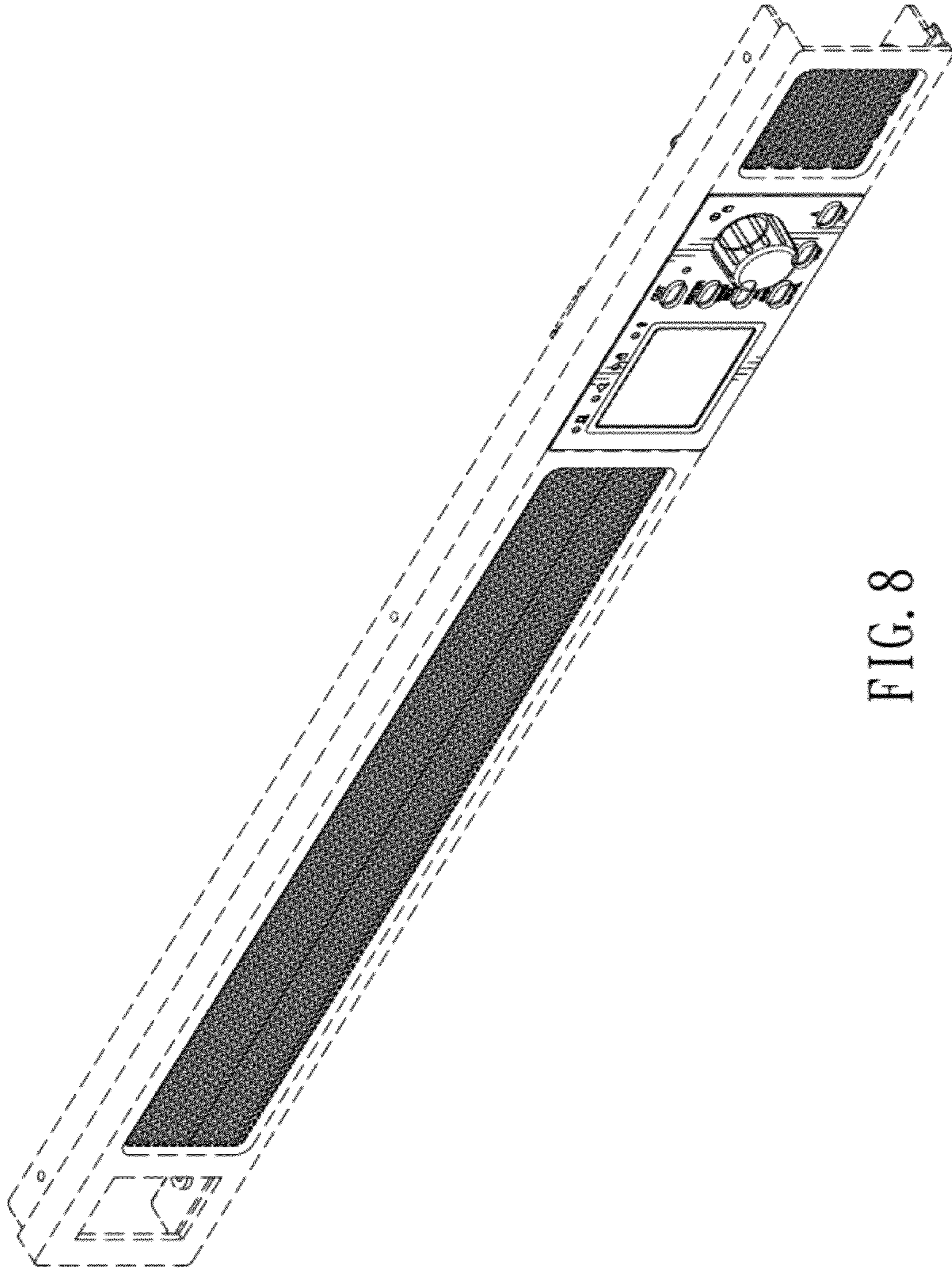


FIG. 8