

US00D664933S

(12) **United States Design Patent**
Clymer et al.

(10) **Patent No.:** **US D664,933 S**
(45) **Date of Patent:** **** Aug. 7, 2012**

(54) **BUTTON FOR A WINDOW BLIND CONTROL**

(75) Inventors: **Erica L. Clymer**, Nazareth, PA (US);
Matthew R. Hontz, Allentown, PA
(US); **MacKenzie Mor**, New York, NY
(US); **Gregory Altonen**, Easton, PA
(US); **Elliot G. Jacoby**, Glenside, PA
(US); **Jason C. Killo**, Emmaus, PA (US)

(73) Assignee: **Lutron Electronics Co., Inc.**,
Coopersburg, PA (US)

(**) Term: **14 Years**

(21) Appl. No.: **29/402,114**

(22) Filed: **Sep. 21, 2011**

Related U.S. Application Data

(62) Division of application No. 29/375,126, filed on Sep.
17, 2010, now Pat. No. Des. 647,490.

(51) **LOC (9) Cl.** **13-03**

(52) **U.S. Cl.** **D13/174**

(58) **Field of Classification Search** D13/162,
D13/164, 171, 174; 200/5 R, 5 A, 518, 520,
200/530, 302.2, 308, 310, 314, 317, 341;
160/1, 120, 123, 310; 318/466, 600
See application file for complete search history.

(56) **References Cited**

U.S. PATENT DOCUMENTS

5,467,266	A *	11/1995	Jacobs et al.	700/56
6,365,855	B1 *	4/2002	Sutter et al.	200/314
D461,782	S *	8/2002	Butler et al.	D13/171
6,534,163	B1 *	3/2003	Takatsu	428/212
D518,001	S *	3/2006	Chen	D13/174
D524,256	S *	7/2006	Chen	D13/174
D526,282	S *	8/2006	Chen	D13/174
D536,340	S *	2/2007	Jost et al.	D14/485
7,315,146	B2 *	1/2008	Bejean	318/468
D587,215	S *	2/2009	Ohlert et al.	D13/174
7,525,277	B2 *	4/2009	Bejean et al.	318/600
D596,588	S *	7/2009	Ohlert et al.	D13/174
D606,091	S *	12/2009	O'Donnell et al.	D14/489
7,723,939	B2 *	5/2010	Carmen, Jr.	318/466

7,888,614	B2 *	2/2011	Pippel et al.	200/314
7,931,068	B2 *	4/2011	Carmen et al.	160/120
D647,490	S *	10/2011	Clymer et al.	D13/174
D649,125	S *	11/2011	Clymer et al.	D13/174
2001/0019013	A1 *	9/2001	Weber et al.	200/309
2004/0182685	A1 *	9/2004	Tsunemoto	200/5 R
2005/0189205	A1 *	9/2005	Fujii et al.	200/314
2006/0016676	A1 *	1/2006	Jung	200/314

* cited by examiner

Primary Examiner — Selina Sikder

(74) *Attorney, Agent, or Firm* — Mark E. Rose; Philip N. Smith; Bridget L. McDonough

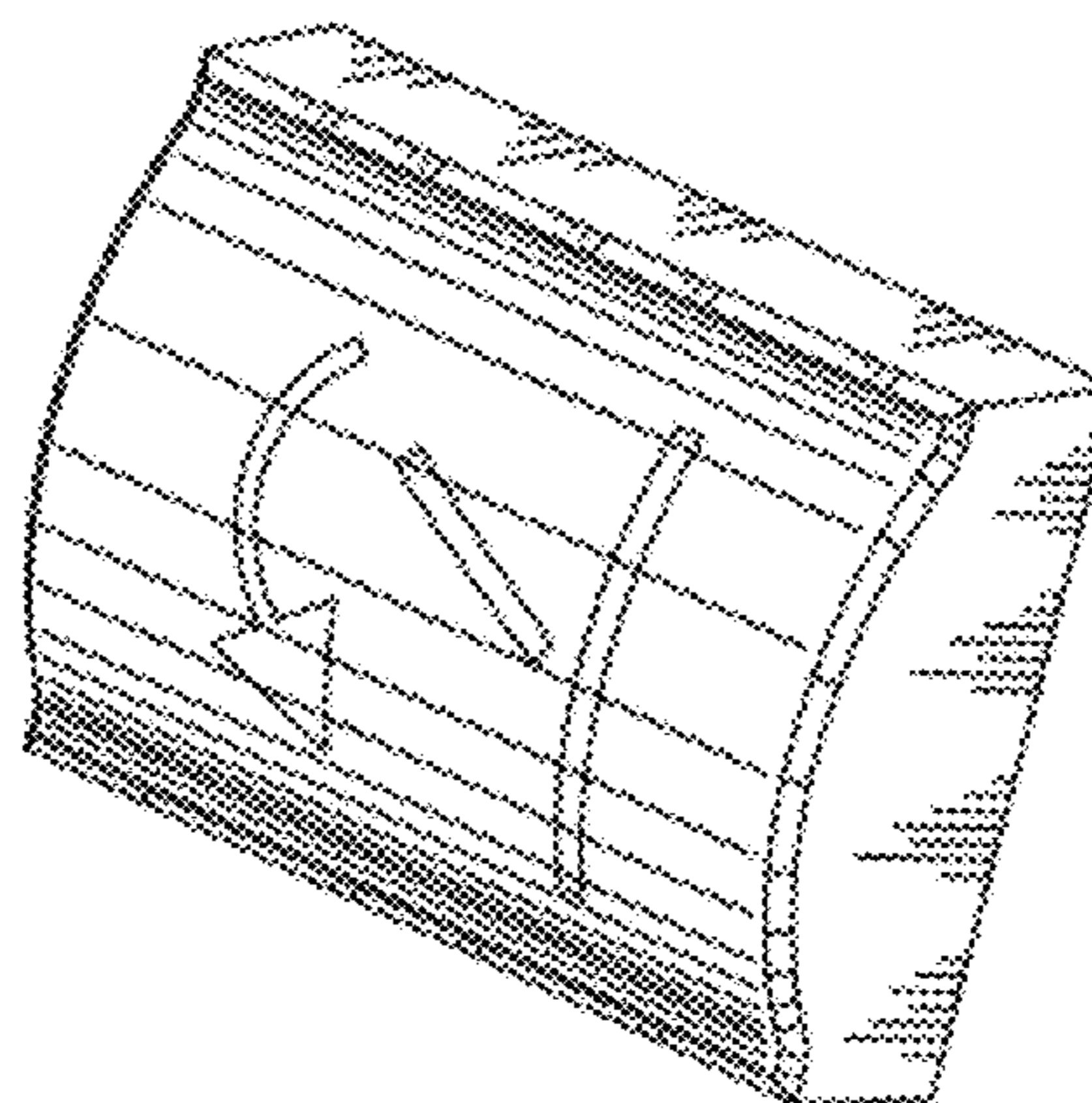
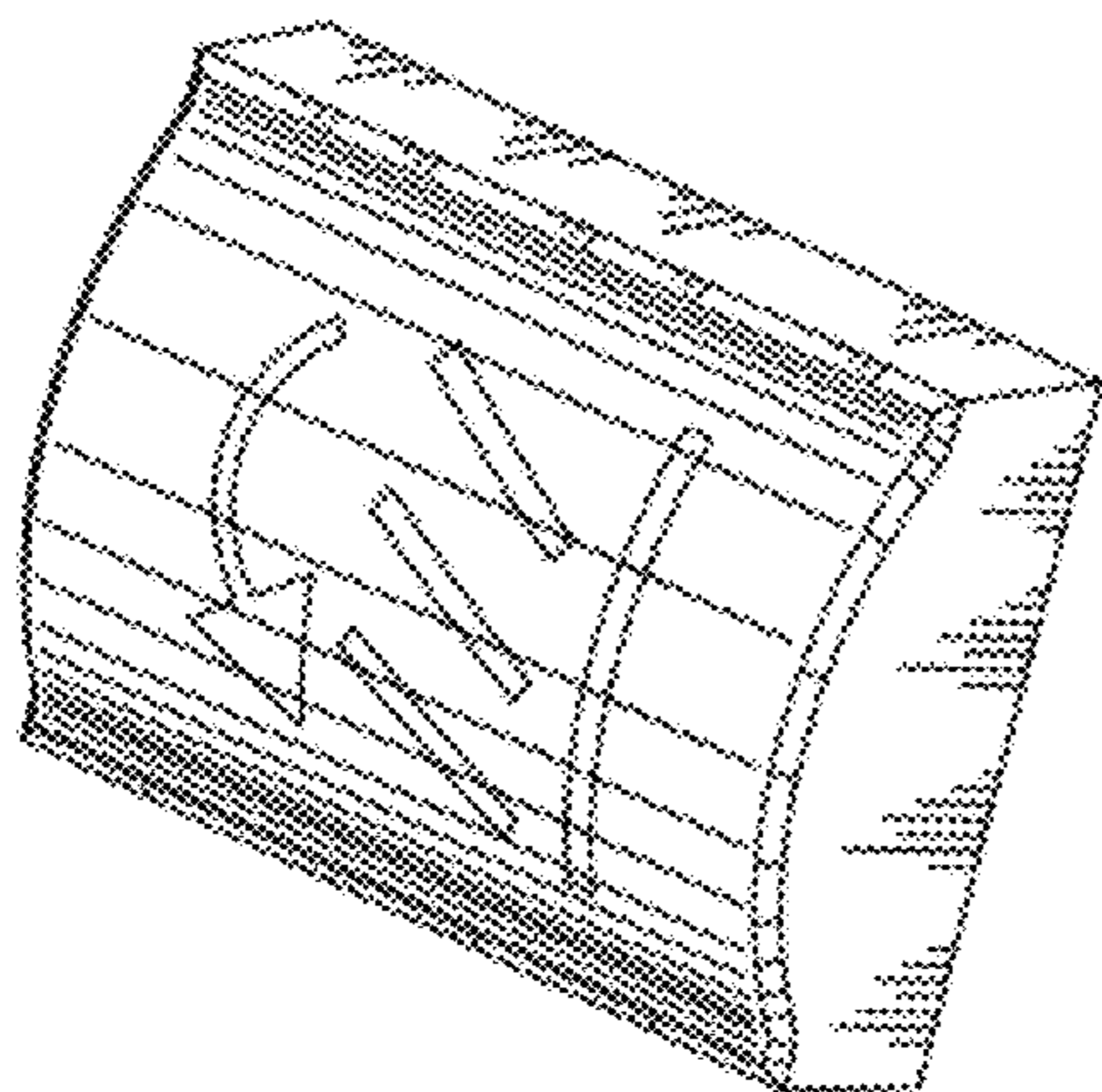
(57) **CLAIM**

We claim the ornamental design for a button for a window blind control, as shown and described.

DESCRIPTION

FIG. 1 is a perspective view of a button for a window blind control according to a first embodiment of our new design. FIG. 2 is a front view thereof. FIG. 3 is a left side view thereof. FIG. 4 is a right side view thereof. FIG. 5 is a top view thereof. FIG. 6 is a bottom view thereof. FIG. 7 is a perspective view of a button for a window blind control according to a second embodiment of our new design. FIG. 8 is a front view thereof. FIG. 9 is a left side view thereof. FIG. 10 is a right side view thereof. FIG. 11 is a top view thereof. FIG. 12 is a bottom view thereof. FIG. 13 is a perspective view of a button for a window blind control according to a third embodiment of our new design. FIG. 14 is a front view thereof. FIG. 15 is a left side view thereof. FIG. 16 is a right side view thereof. FIG. 17 is a top view thereof. FIG. 18 is a bottom view thereof. FIG. 19 is a perspective view of a button for a window blind control according to a fourth embodiment of our new design. FIG. 20 is a front view thereof. FIG. 21 is a left side view thereof. FIG. 22 is a right side view thereof. FIG. 23 is a top view thereof; and, FIG. 24 is a bottom view thereof. The rear views form no part of the design and are omitted.

1 Claim, 12 Drawing Sheets



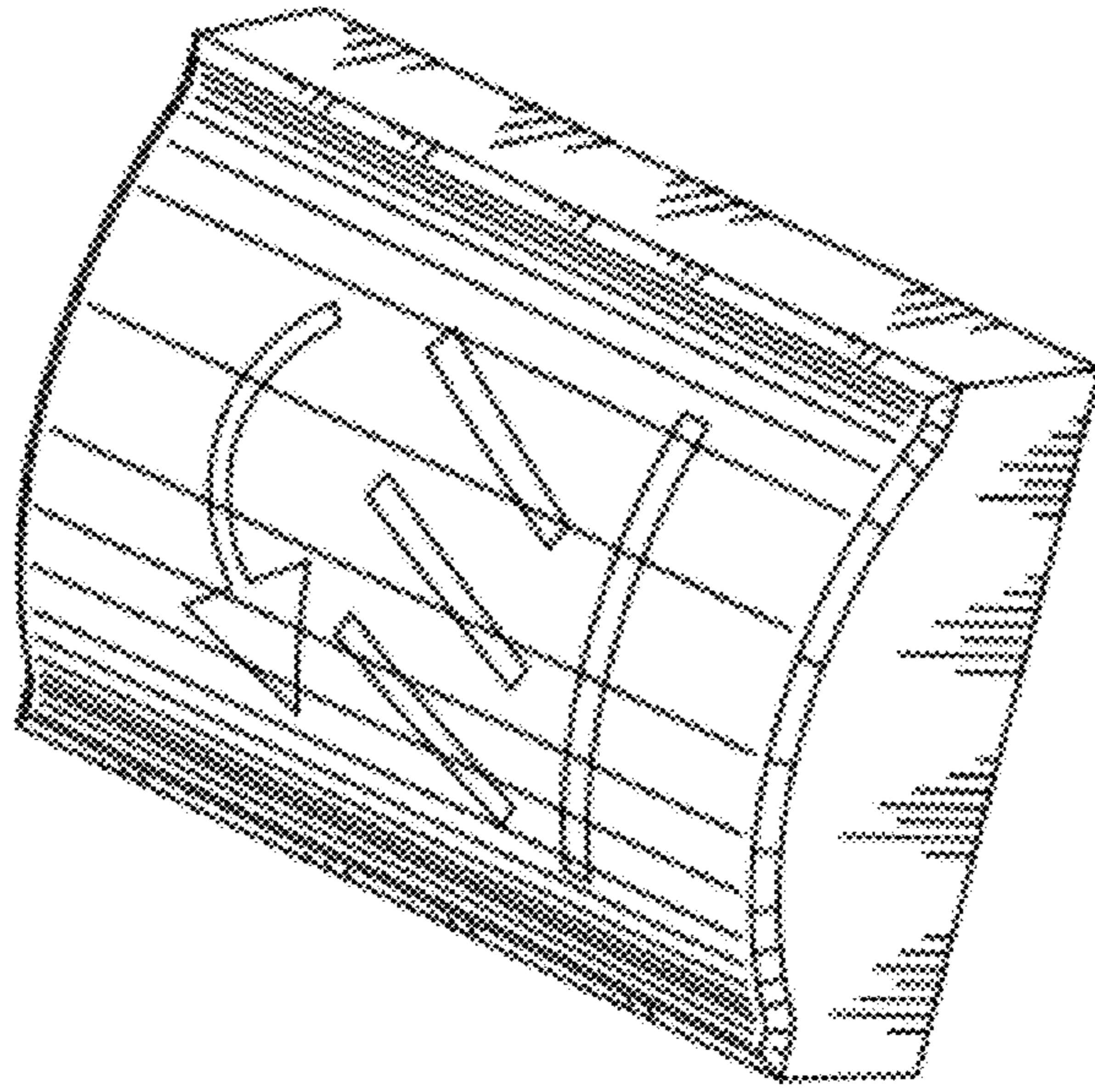


Fig. 1

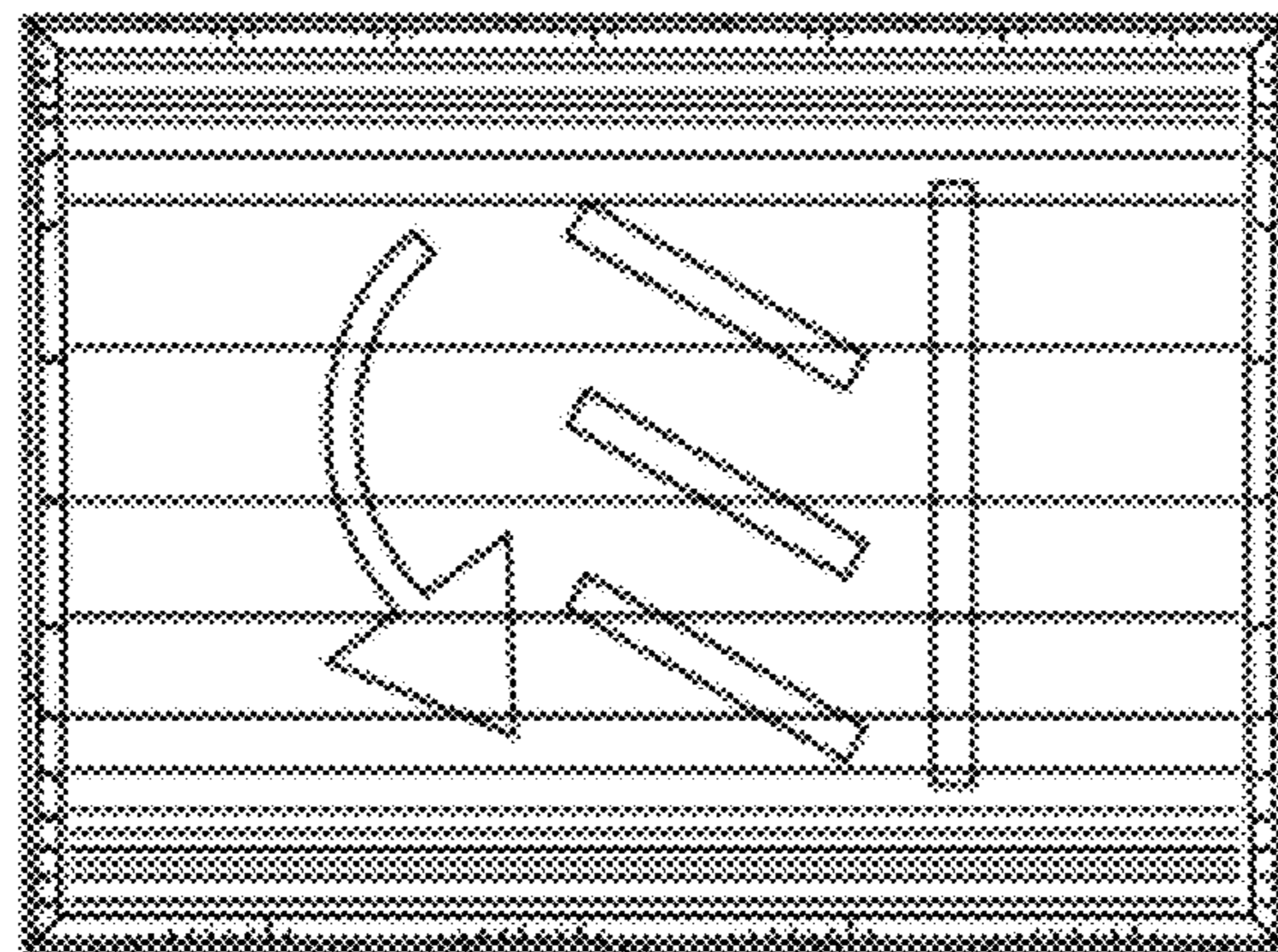


Fig. 2

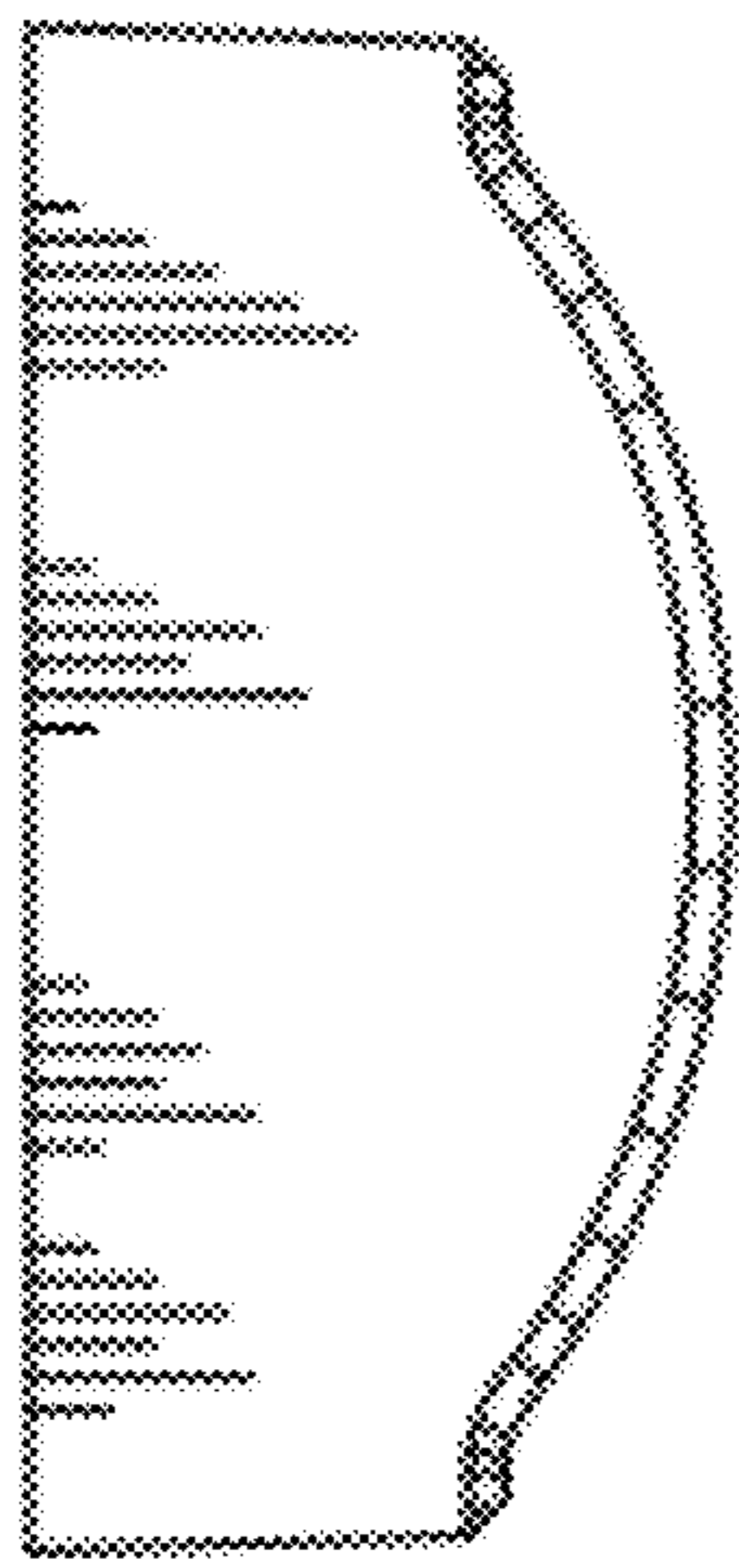


Fig. 3

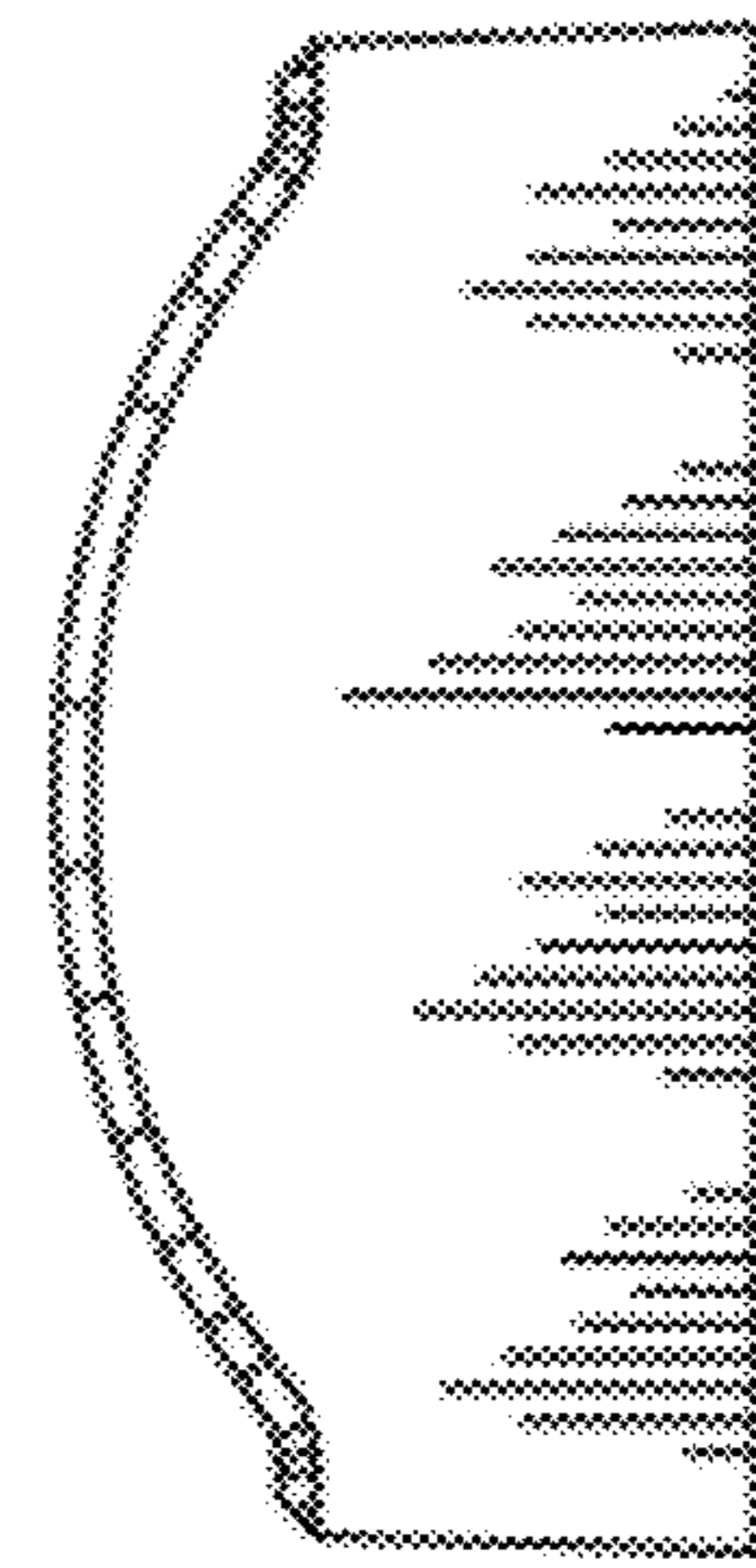


Fig. 4



Fig. 5

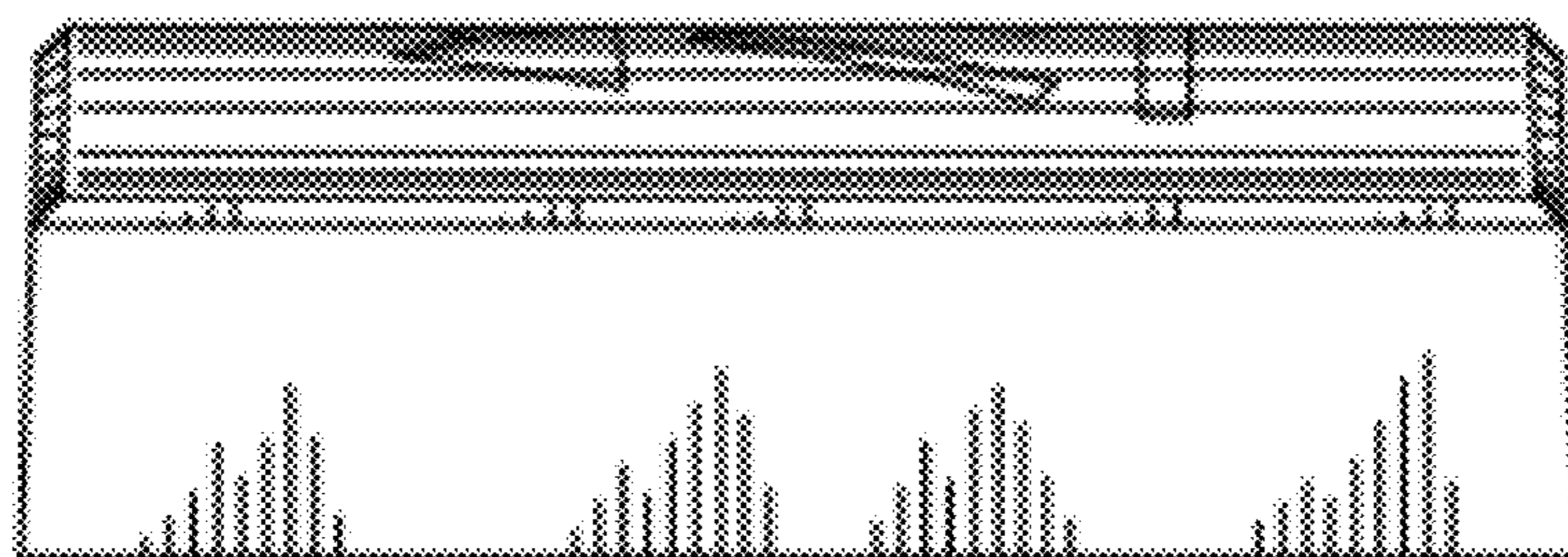


Fig. 6

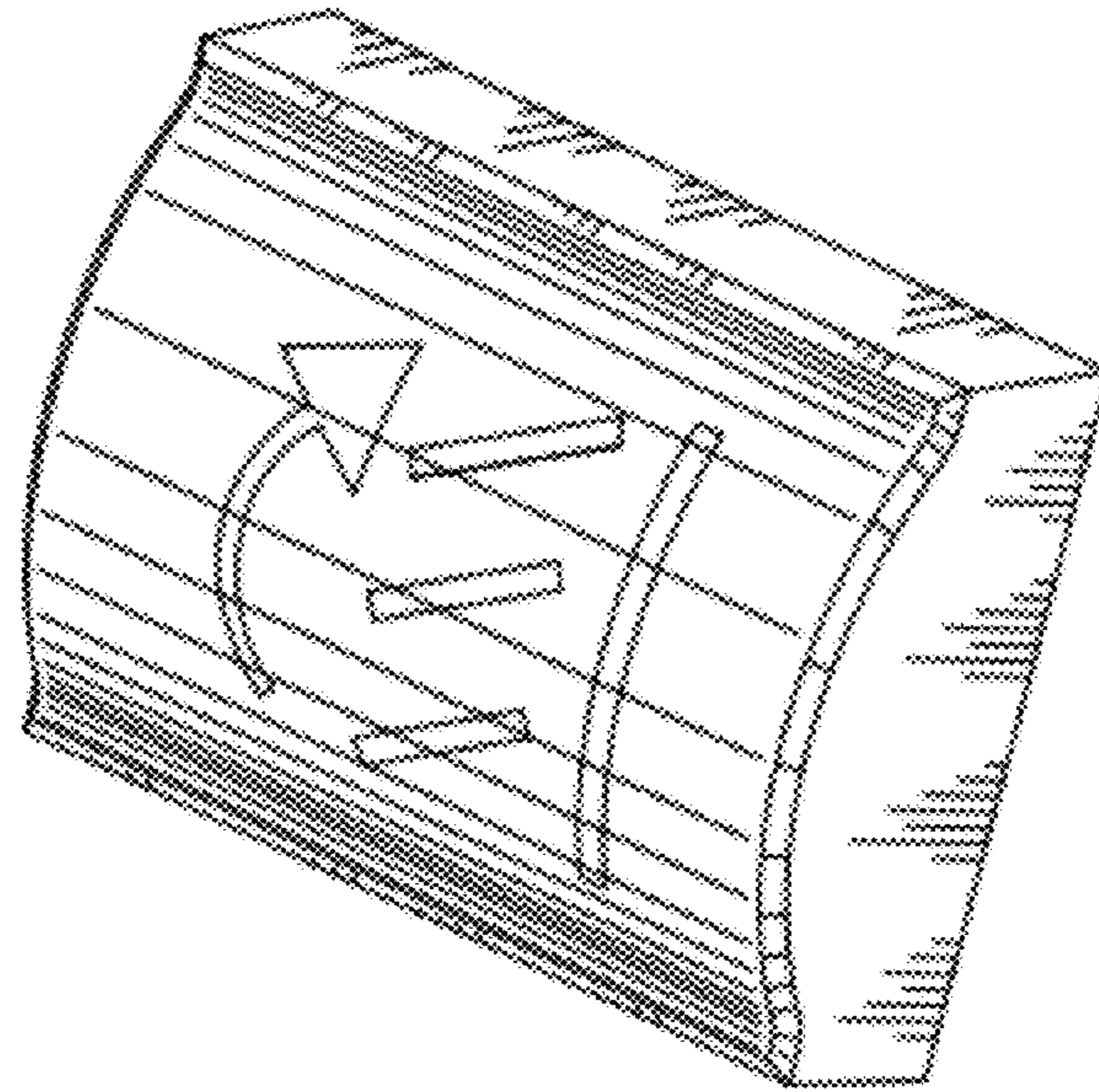


Fig. 7

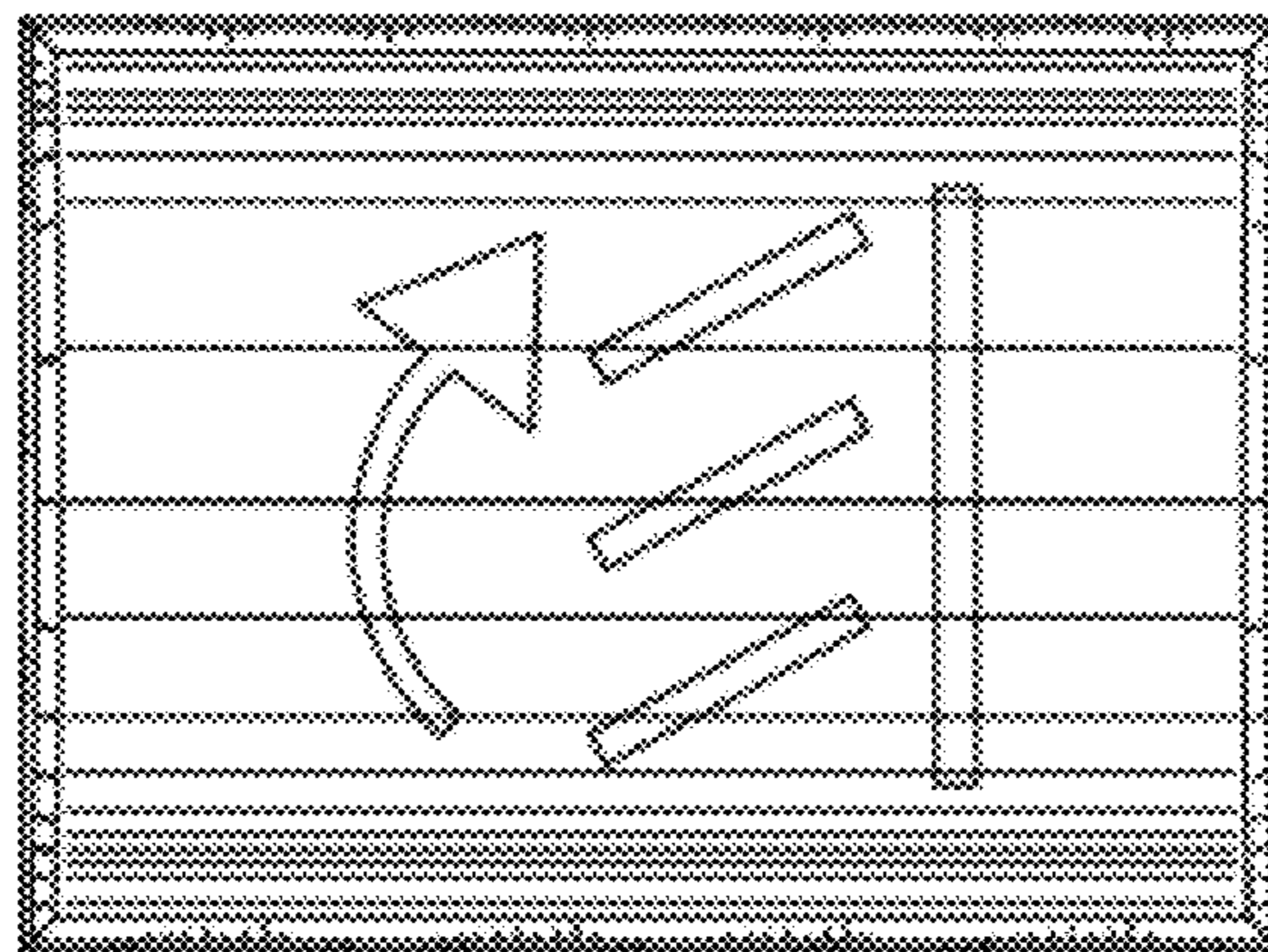


Fig. 8

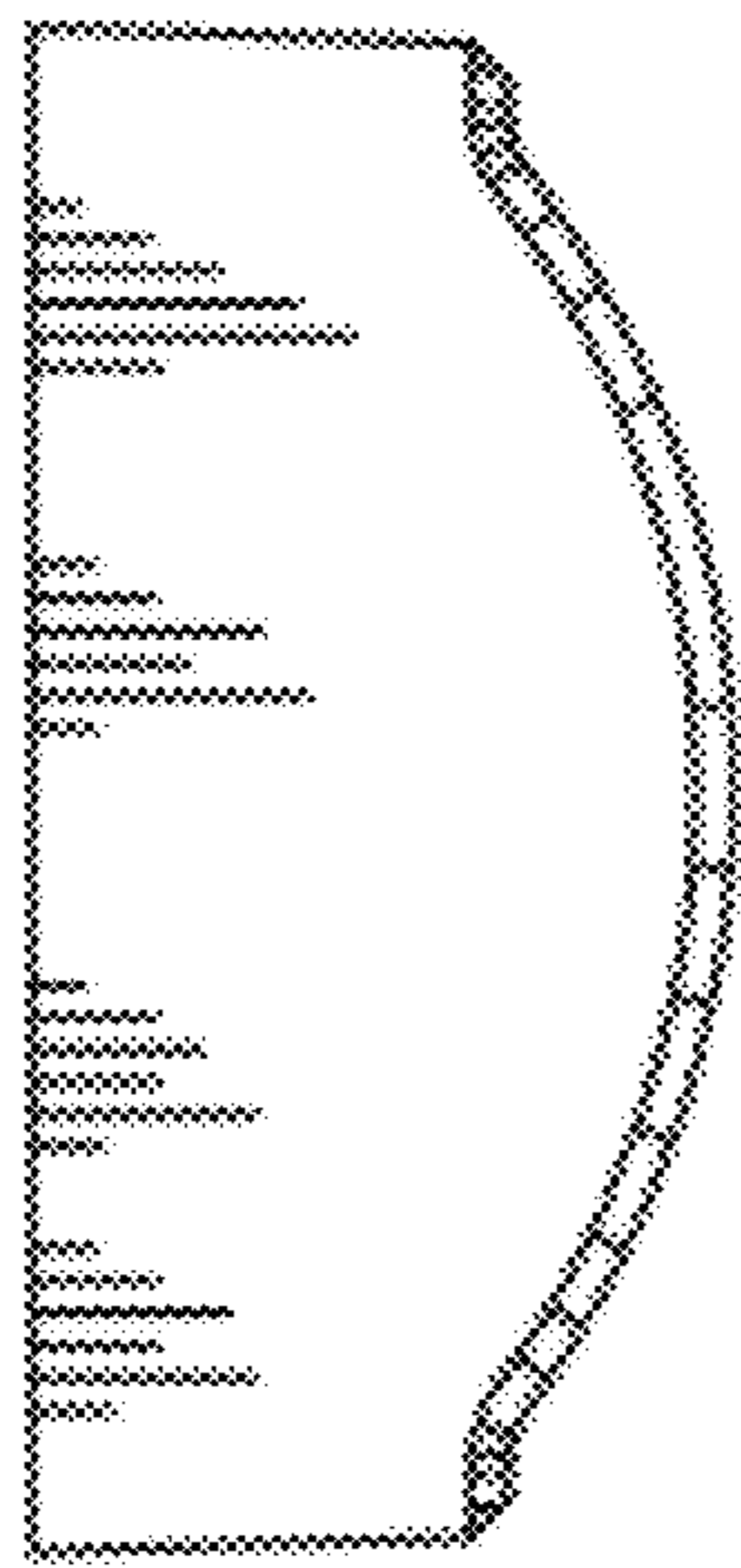


Fig. 9

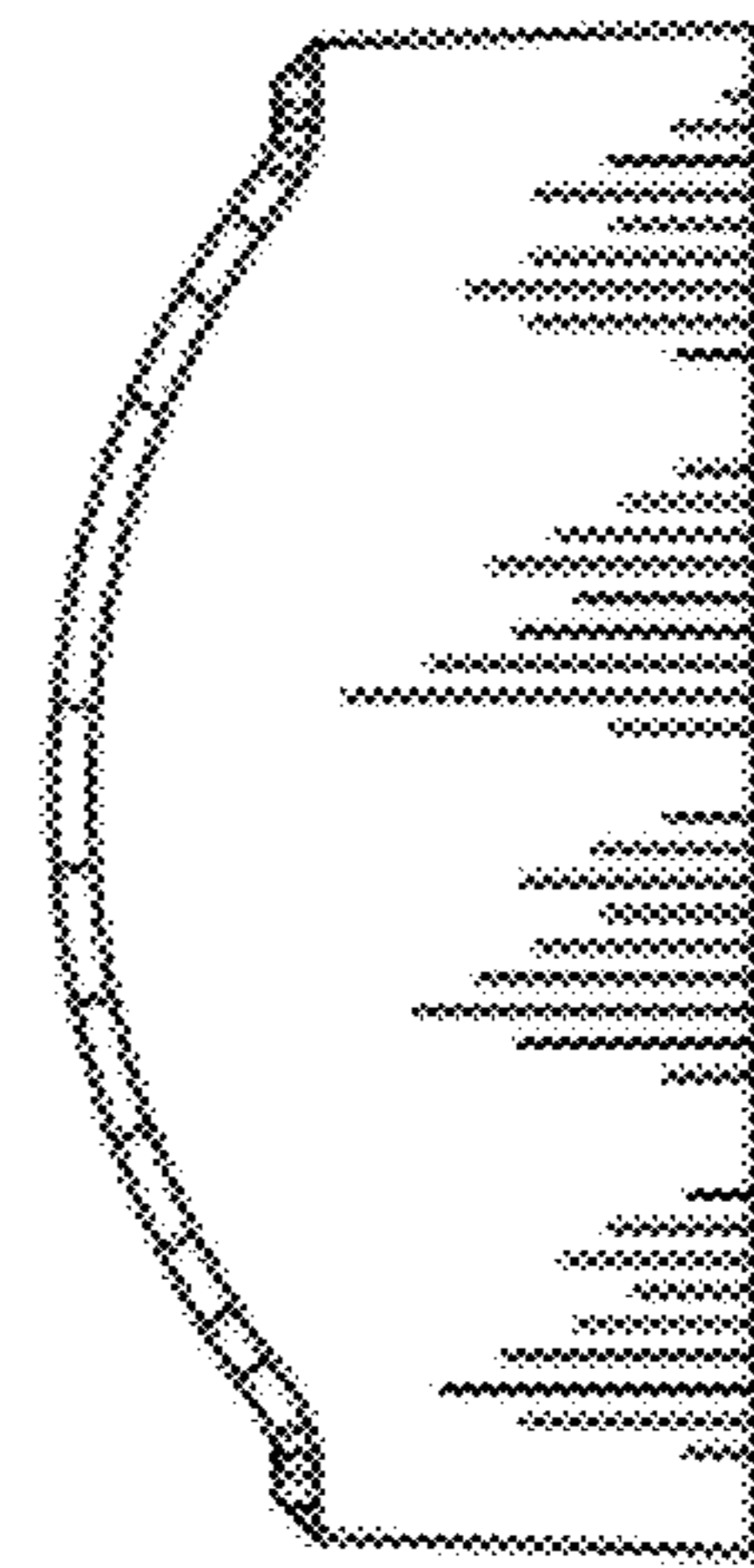


Fig. 10

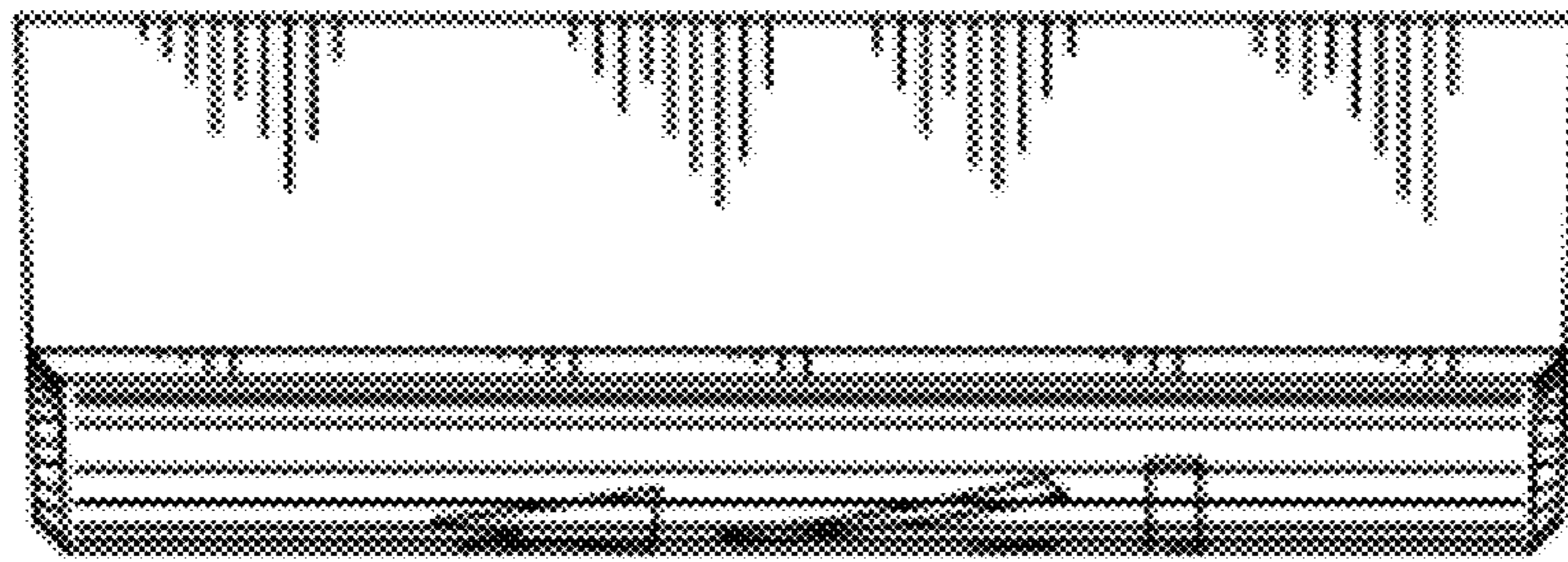


Fig. 11

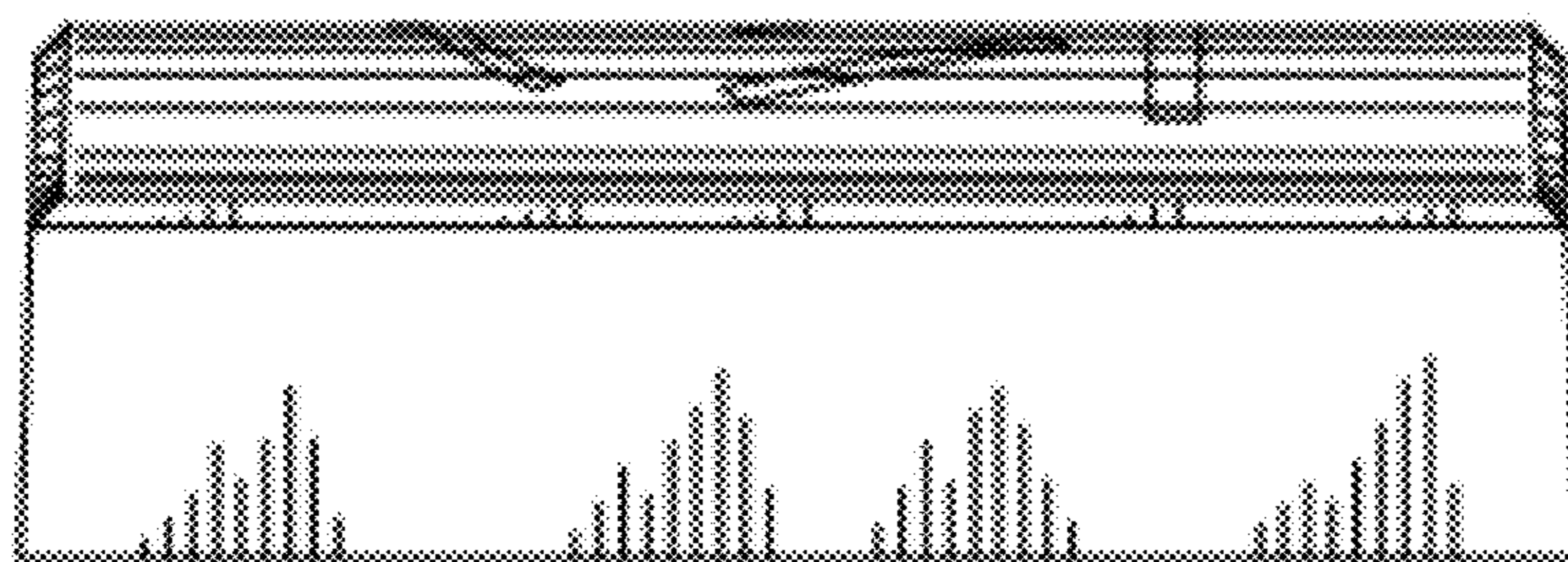


Fig. 12

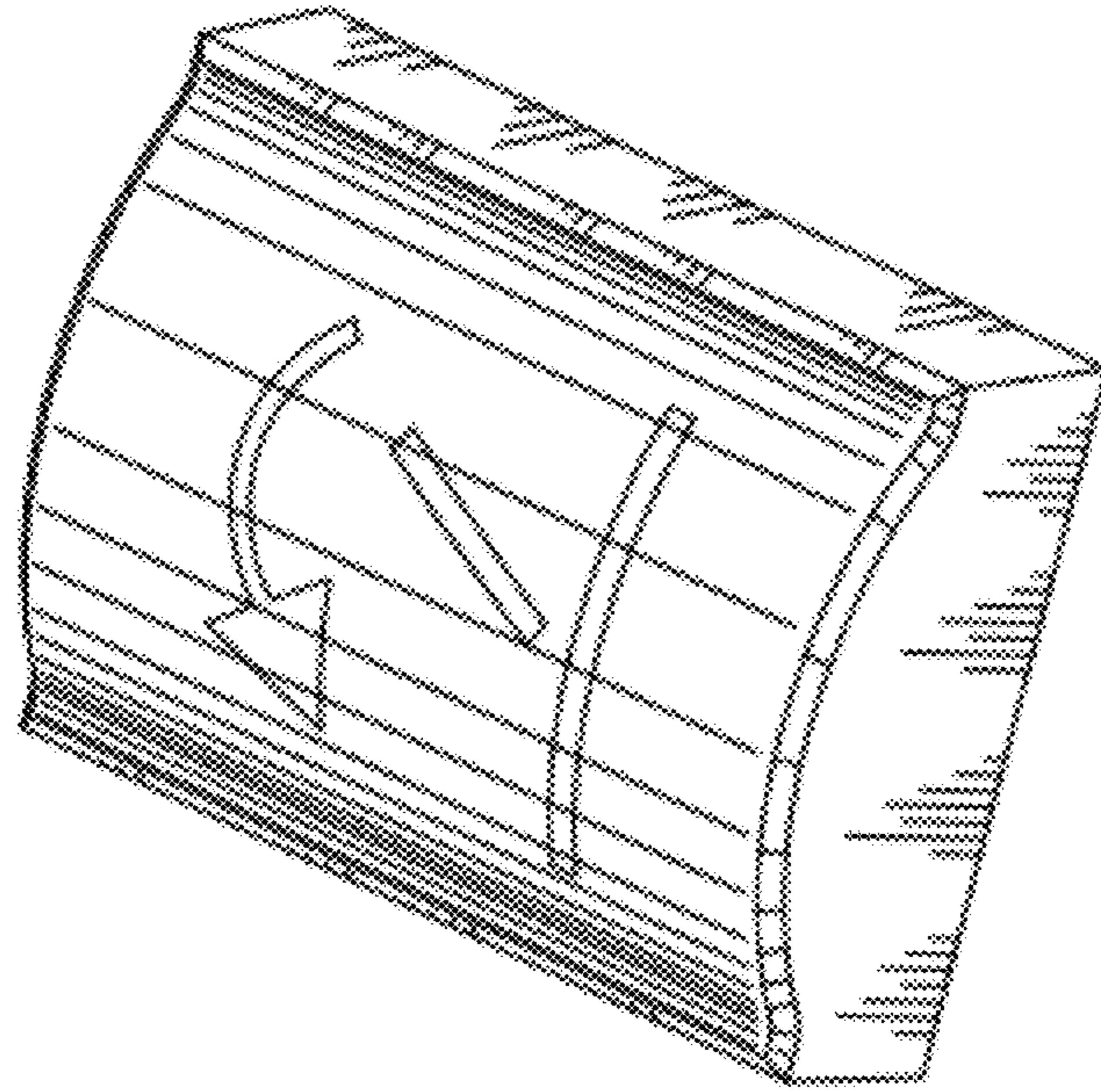


Fig. 13

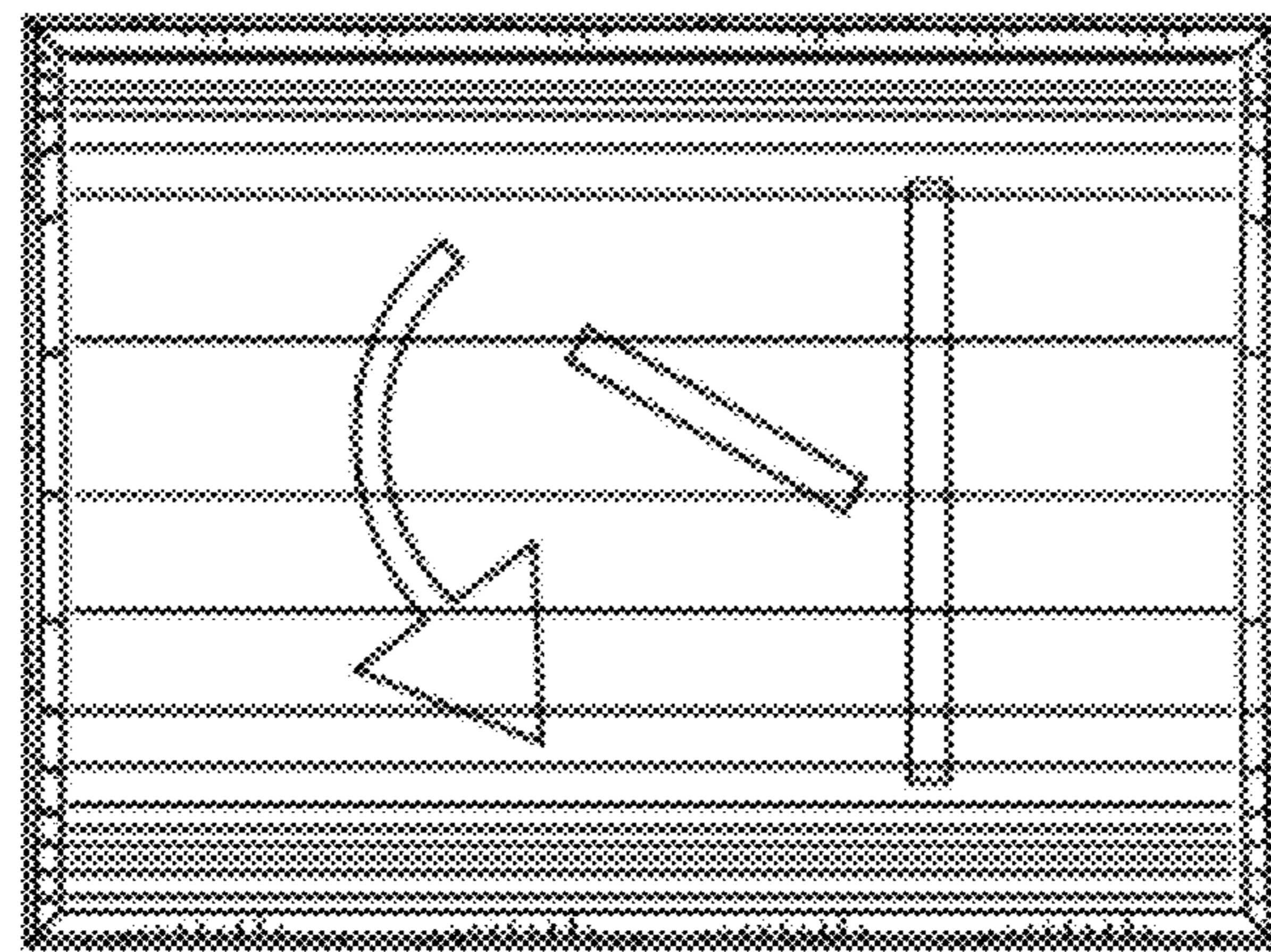


Fig. 14

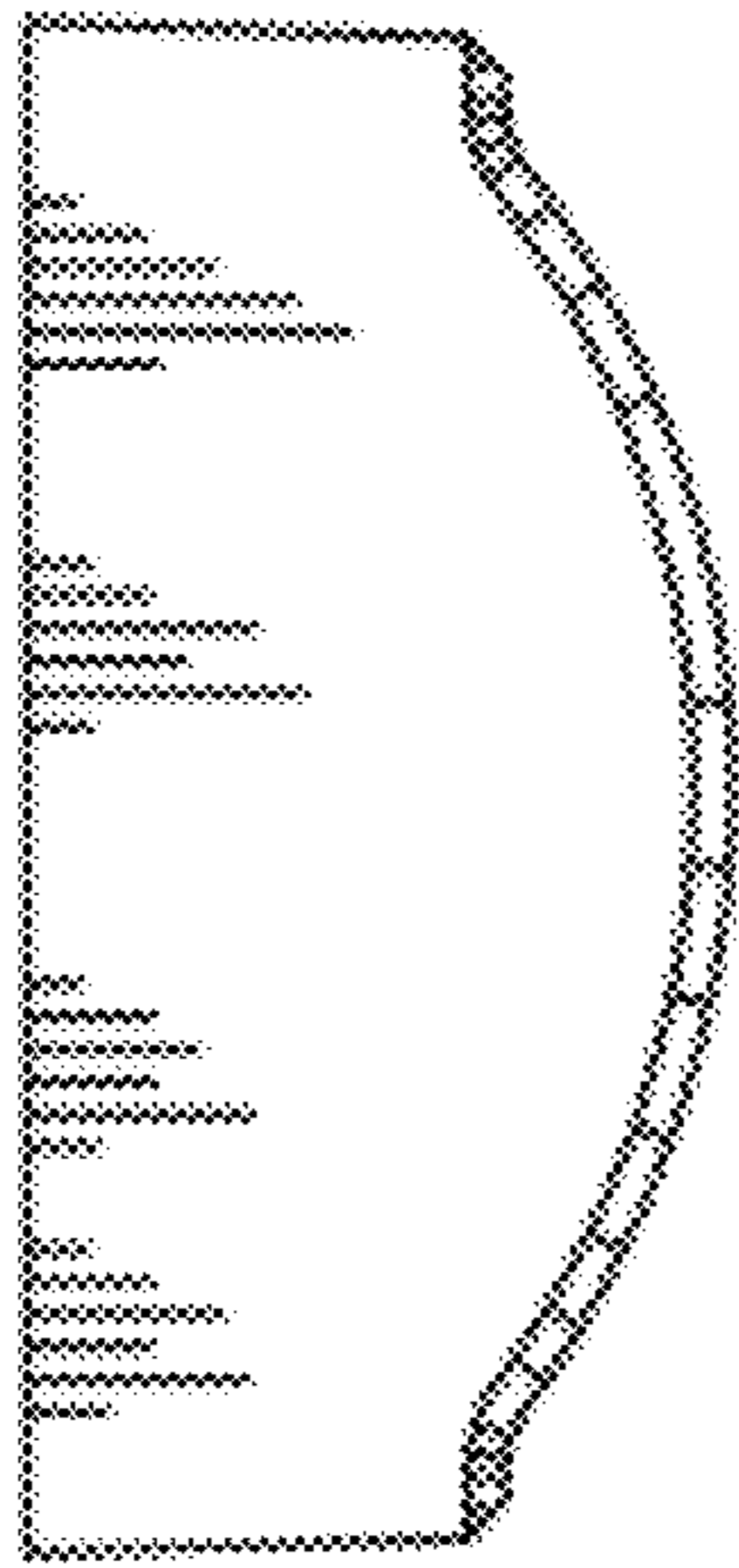


Fig. 15



Fig. 16



Fig. 17

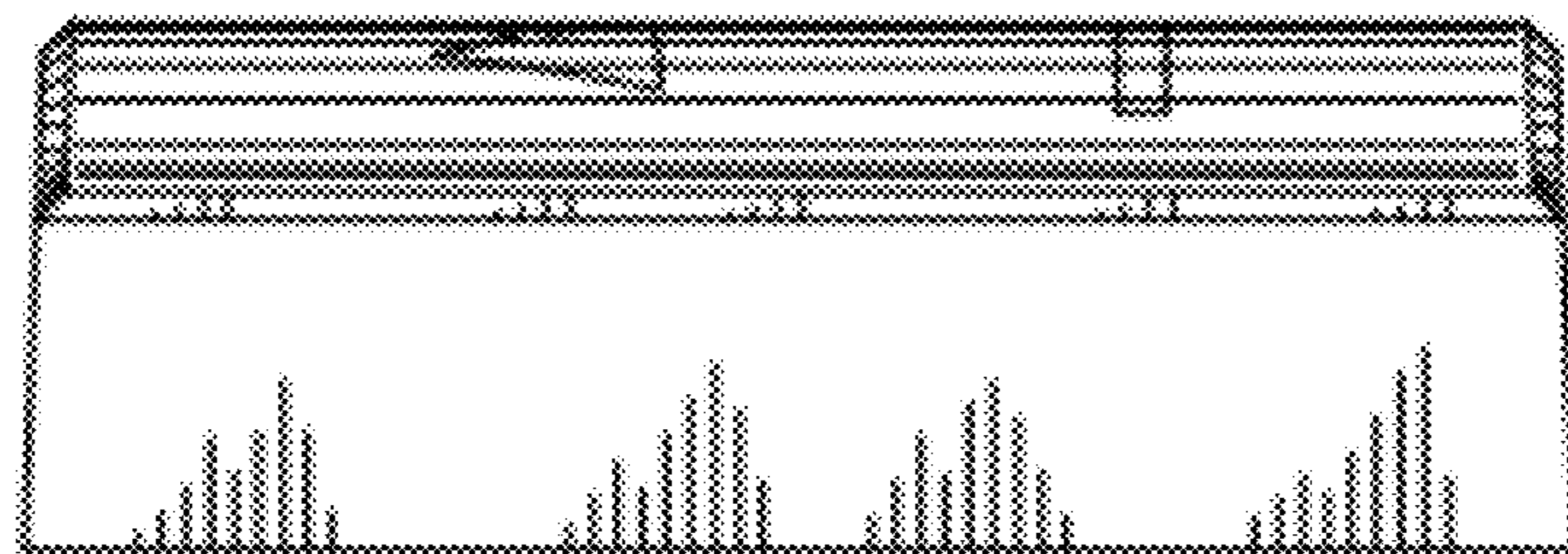


Fig. 18

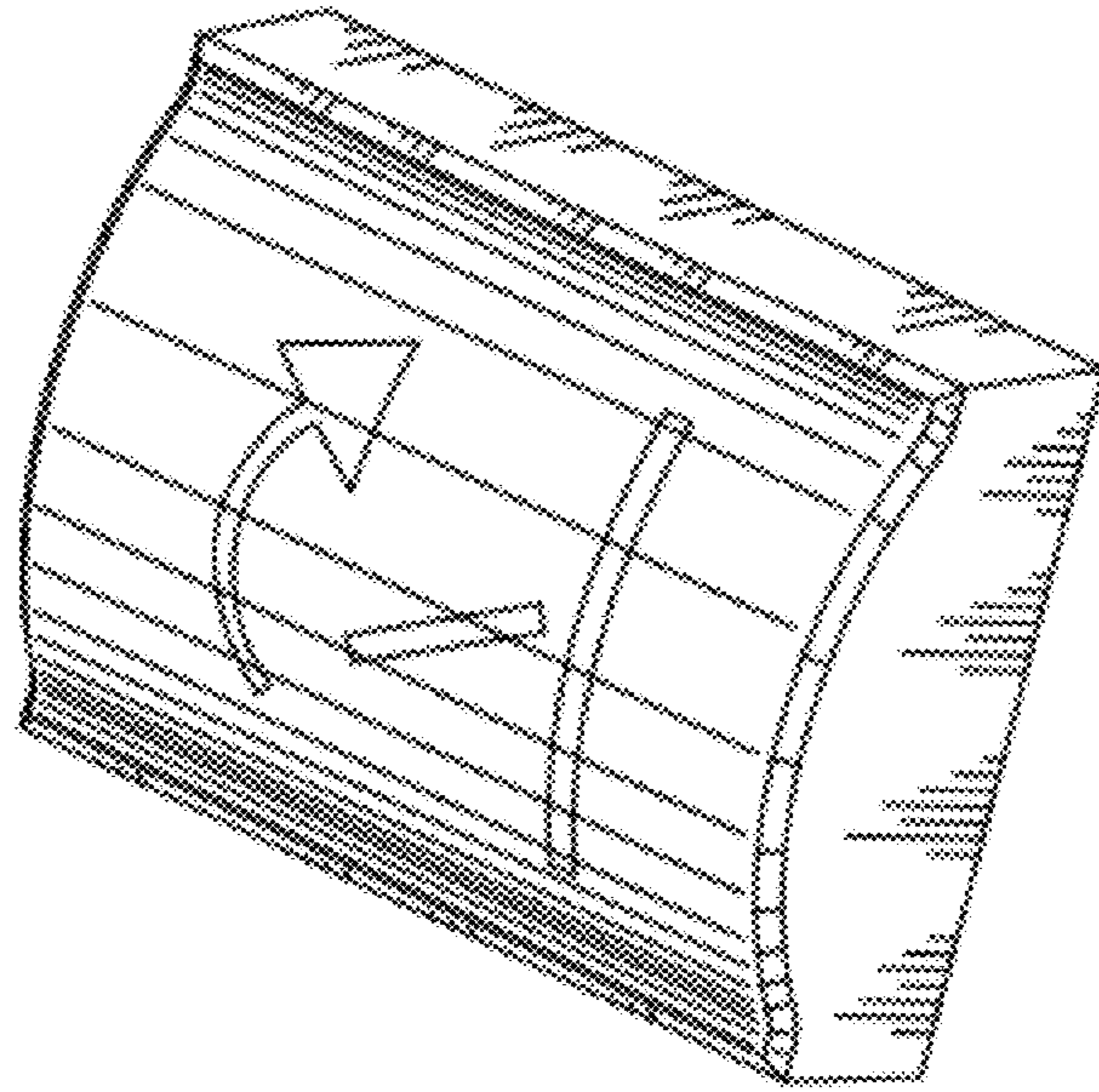


Fig. 19

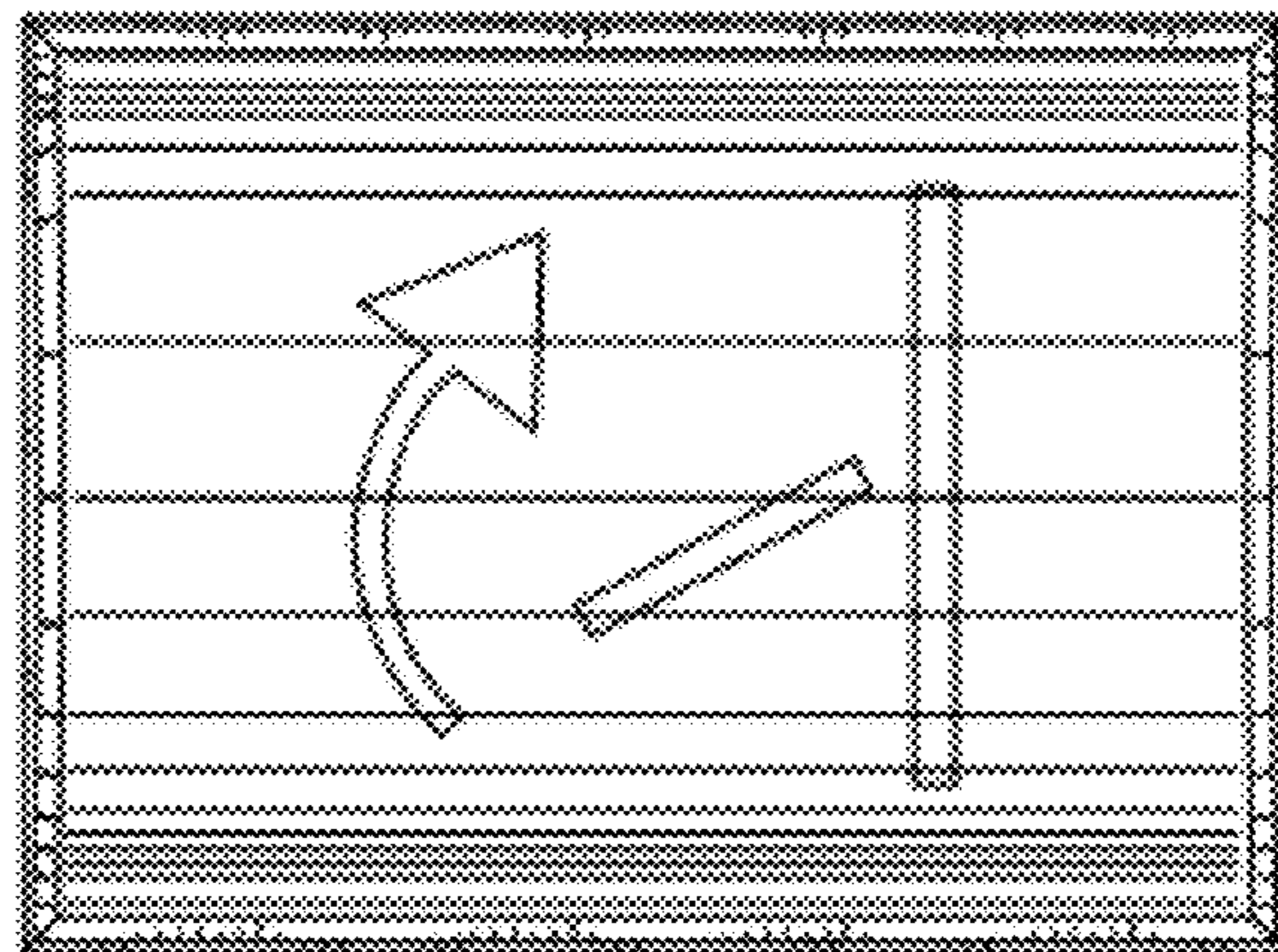


Fig. 20

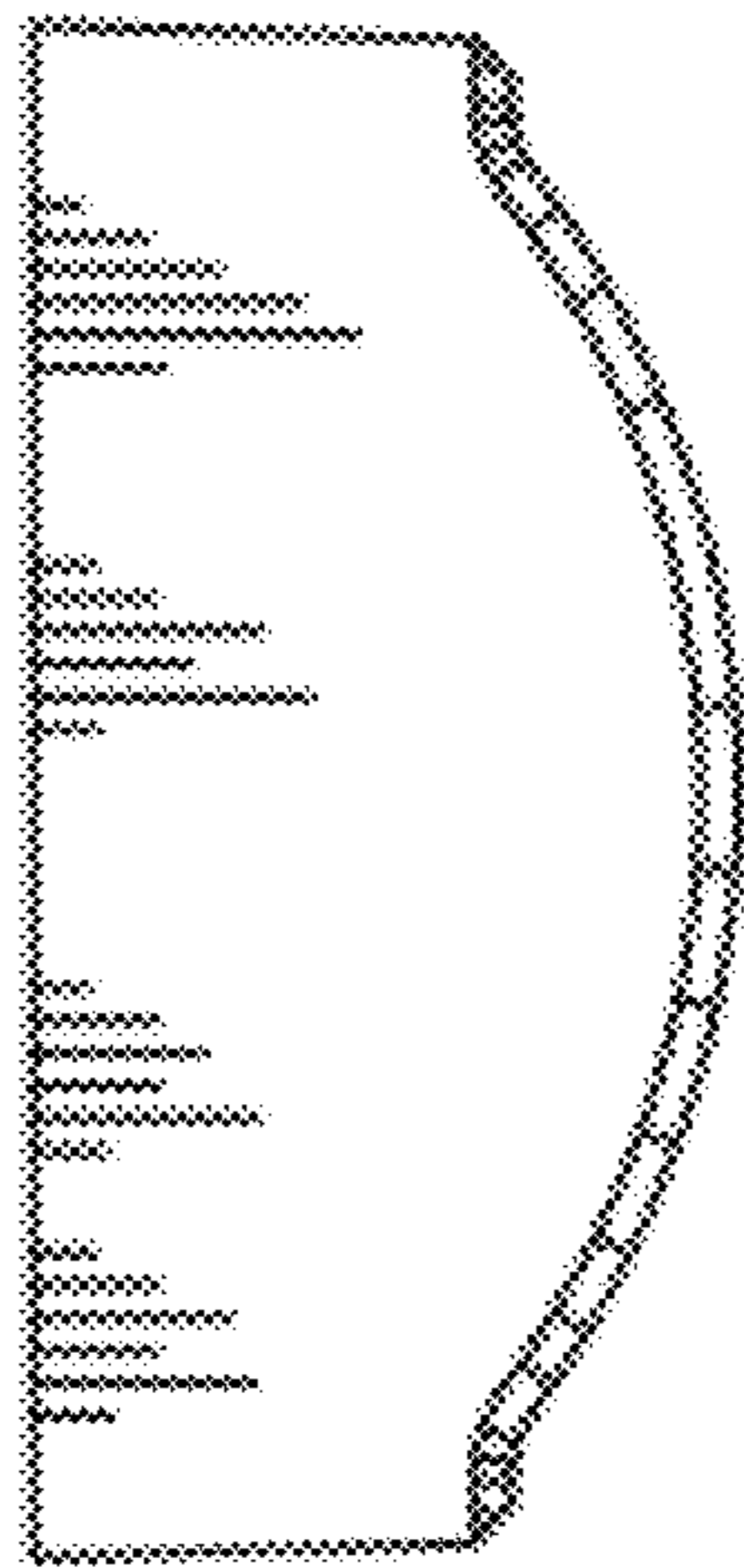


Fig. 21

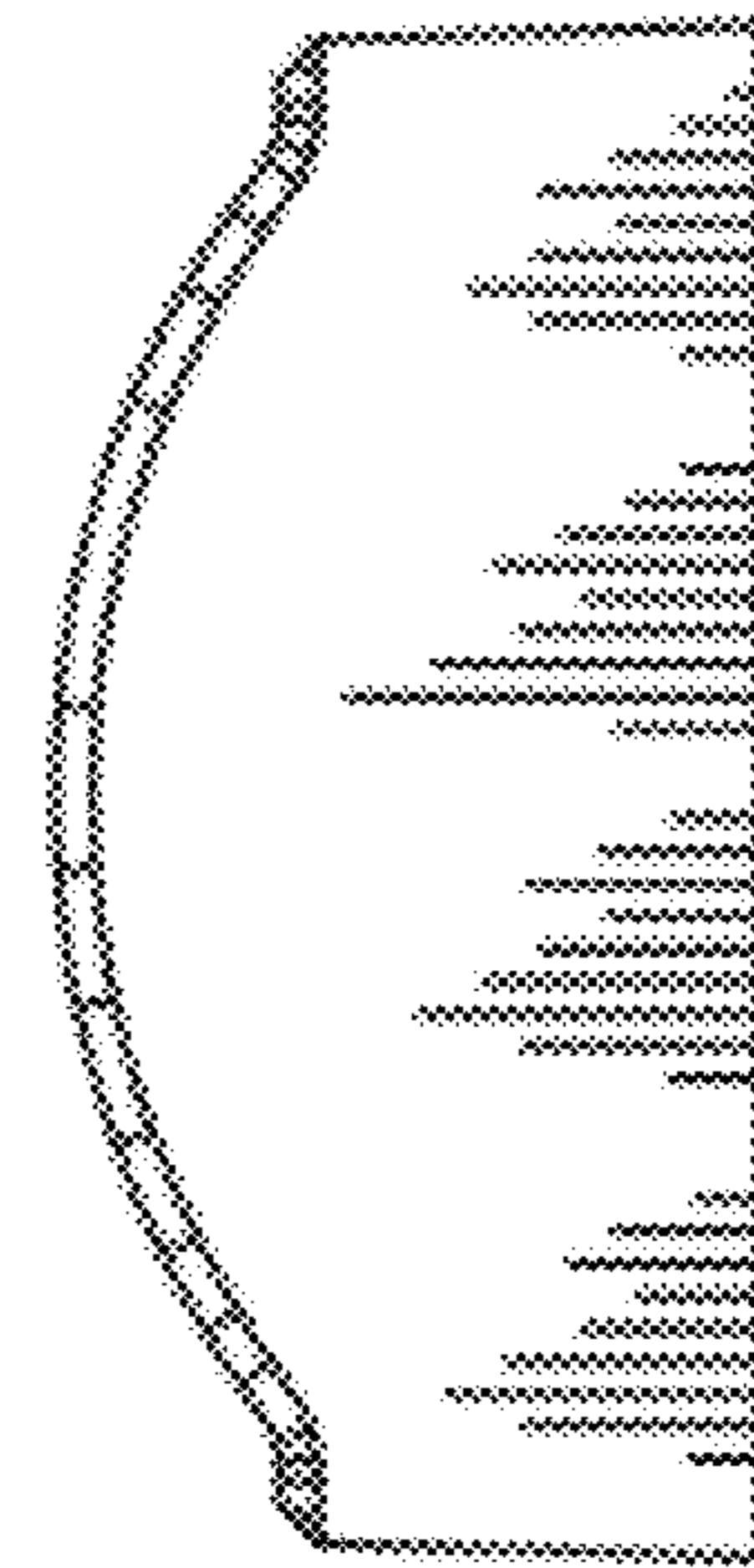


Fig. 22



Fig. 23

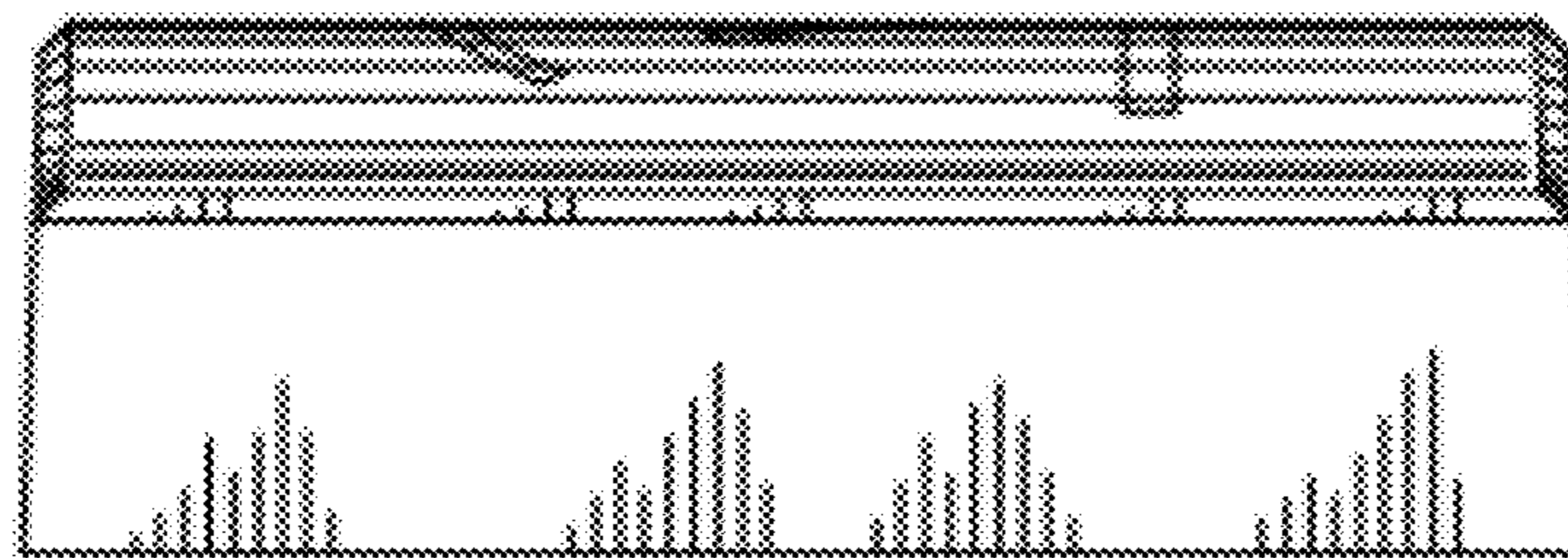


Fig. 24