

US00D664931S

(12) **United States Design Patent**
Chang

(10) **Patent No.:** **US D664,931 S**

(45) **Date of Patent:** **** Aug. 7, 2012**

(54) **REMOTELY-CONTROLLED POWER CUTOFF SWITCH**

(76) Inventor: **Maochen Chang**, West Covina, CA (US)

(**) Term: **14 Years**

(21) Appl. No.: **29/386,104**

(22) Filed: **Feb. 24, 2011**

(51) **LOC (9) Cl.** **14-03**

(52) **U.S. Cl.** **D13/168**

(58) **Field of Classification Search** D13/137.3, D13/158, 168; D10/40; 307/130, 139, 140; 315/158, 295; 340/4.3, 4.42, 12.22, 12.23, 340/12.24, 12.29, 12.3, 13.2, 13.21, 13.24; 341/176; 345/169; 348/734; 455/352; 463/39; 700/17, 65, 83

See application file for complete search history.

(56) **References Cited**

U.S. PATENT DOCUMENTS

- D246,241 S 11/1977 Jacobs
- D295,622 S 5/1988 Good et al.
- D310,063 S * 8/1990 Cheng D13/137.3

- D315,893 S * 4/1991 Cheng D13/165
- D352,667 S * 11/1994 Chen D10/40
- D375,081 S 10/1996 Sandor et al.
- D375,292 S 11/1996 D'Amato
- D534,440 S * 1/2007 Stekelenburg D10/40
- D535,201 S * 1/2007 Stekelenburg D10/40

* cited by examiner

Primary Examiner — Selina Sikder

(74) *Attorney, Agent, or Firm* — Pujie Zheng

(57) **CLAIM**

I claim the ornamental design for a remotely-controlled power cutoff switch, as shown and described.

DESCRIPTION

FIG. 1 is a perspective view of the front of a remotely-controlled power cutoff switch.

FIG. 2 is a perspective view of the back thereof.

FIG. 3 is a left side view thereof.

FIG. 4 is a front view thereof.

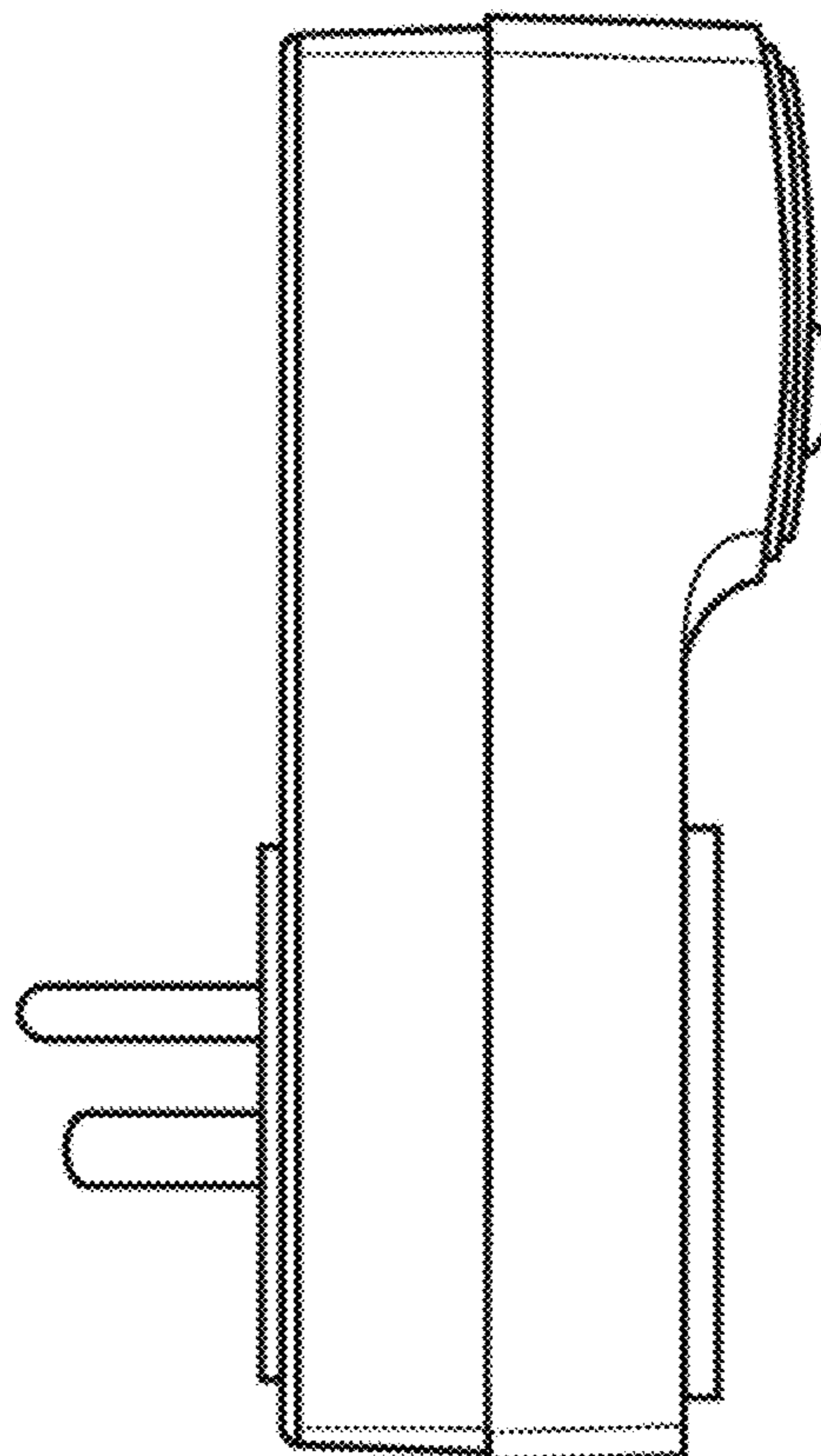
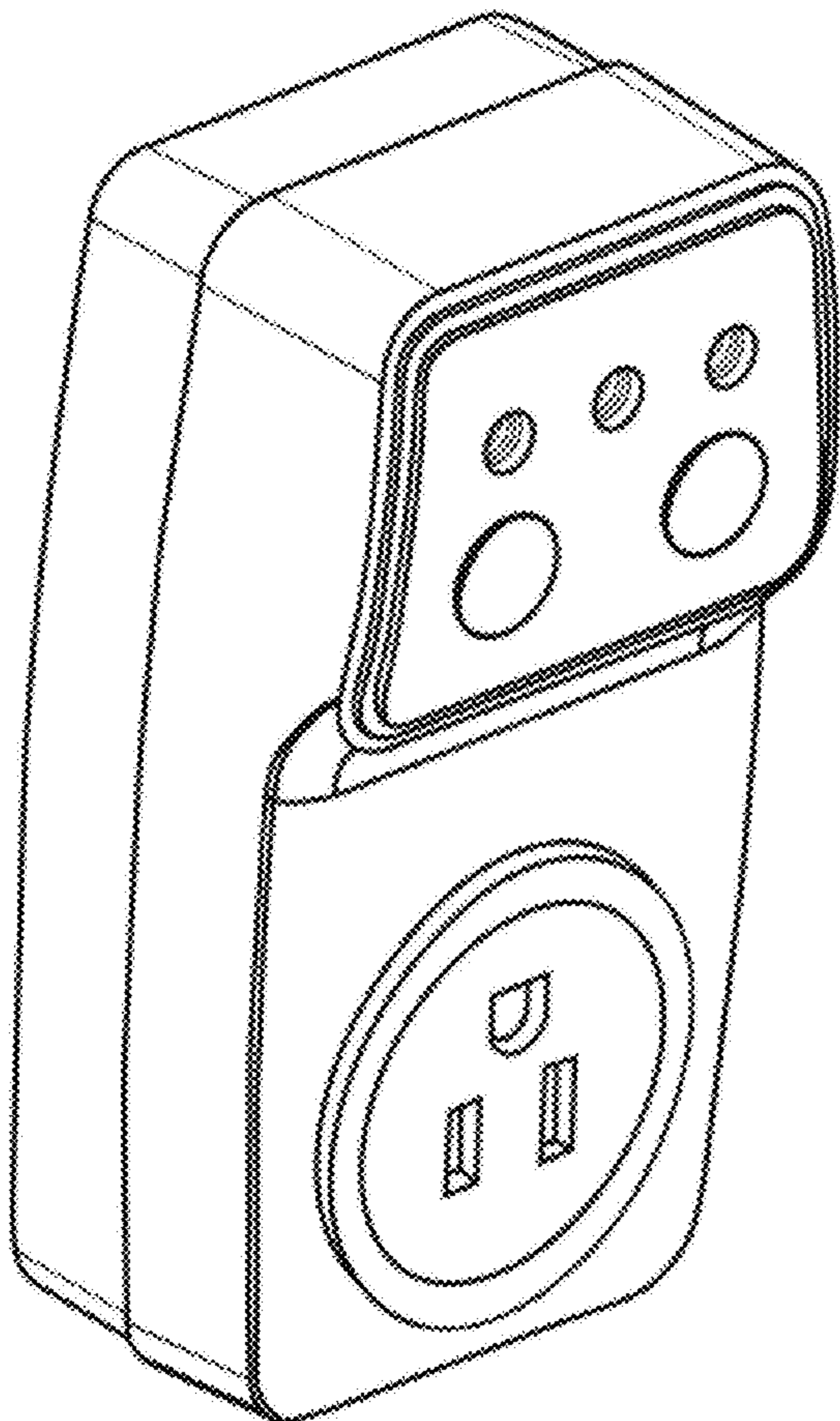
FIG. 5 is a back view thereof.

FIG. 6 is a top view thereof; and,

FIG. 7 is a bottom view thereof.

The right side view is the mirror image of the left side view (FIG. 3) as the switch is symmetric.

1 Claim, 6 Drawing Sheets



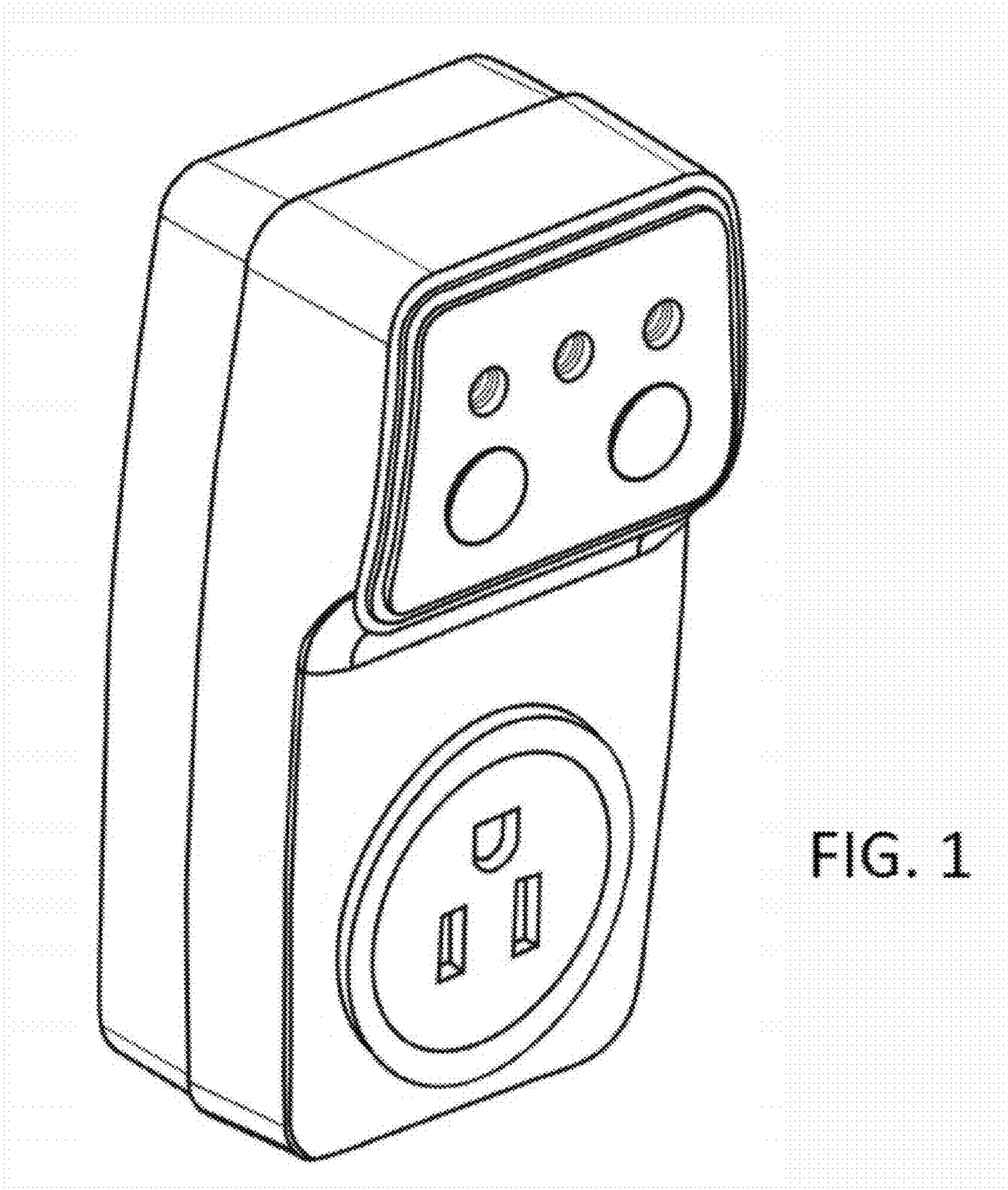


FIG. 1

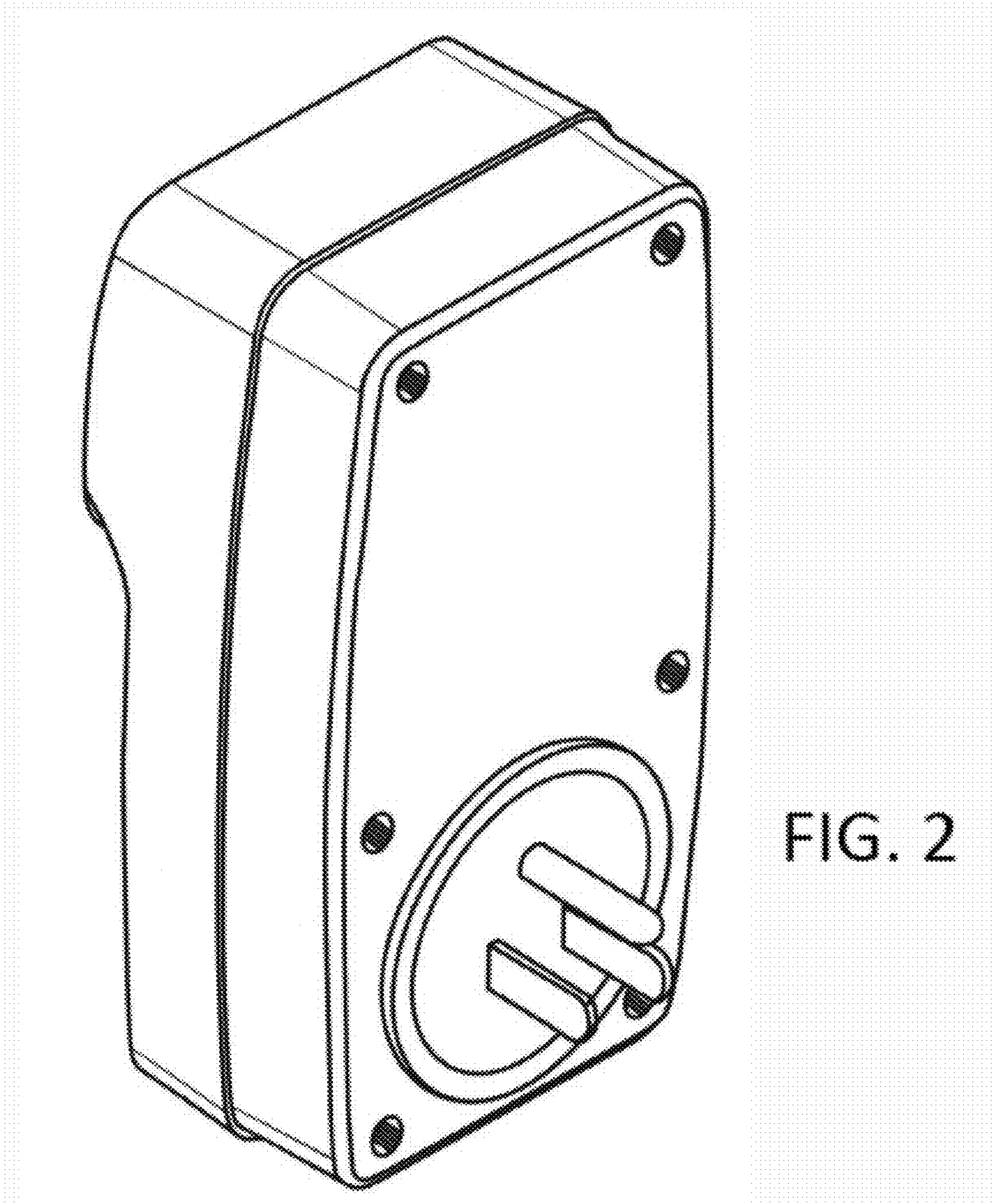


FIG. 2

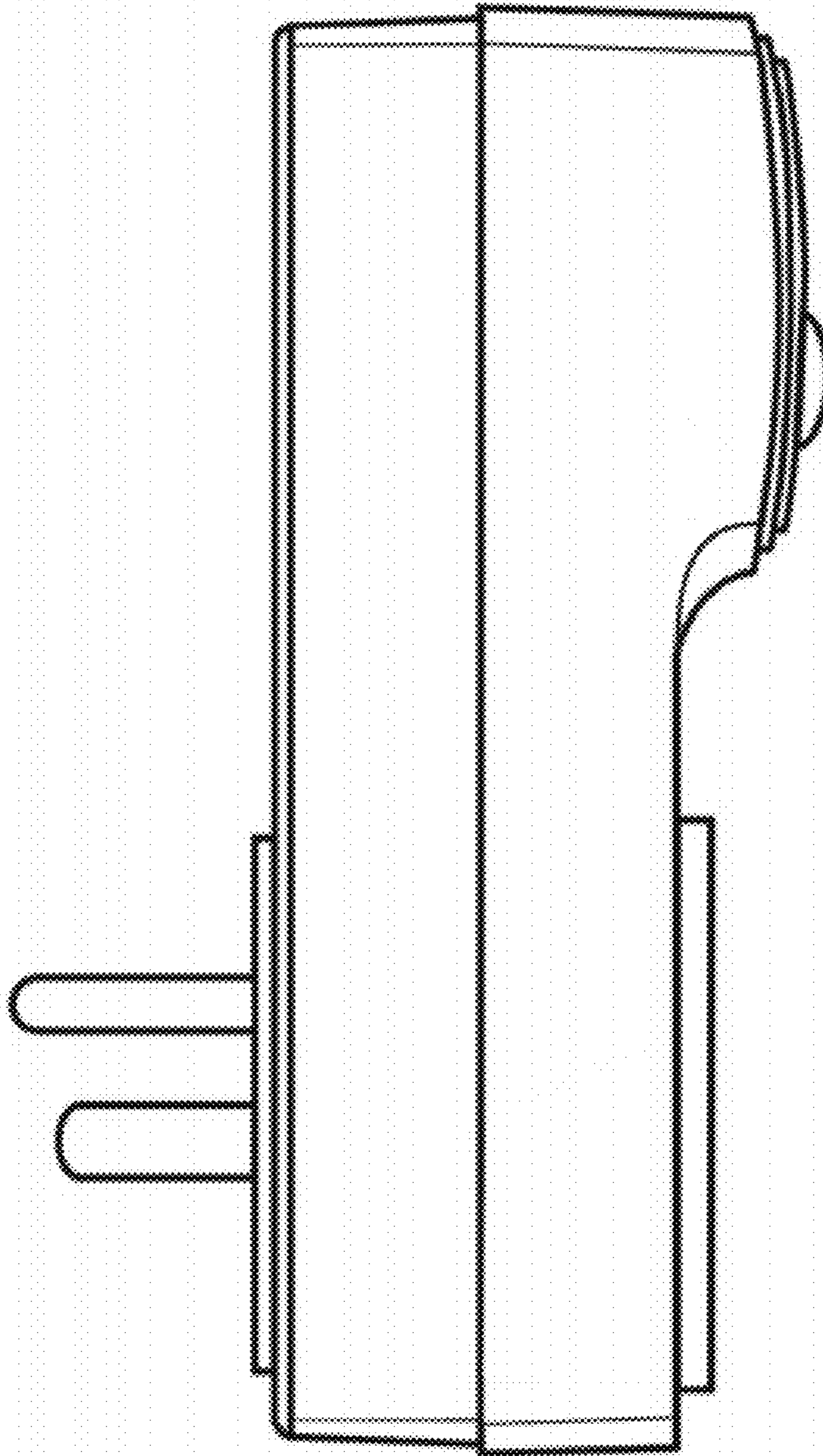


FIG. 3

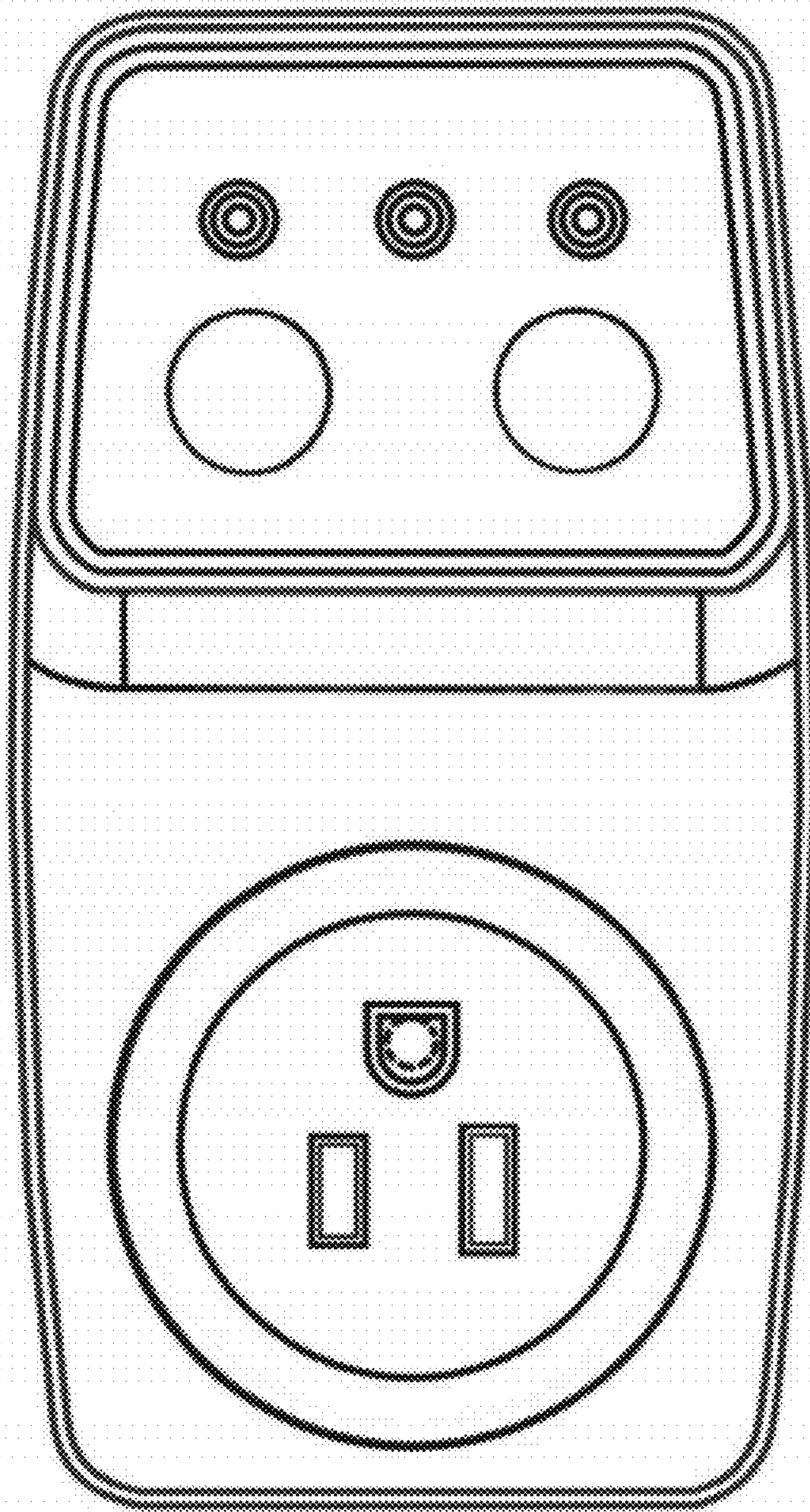


FIG. 4

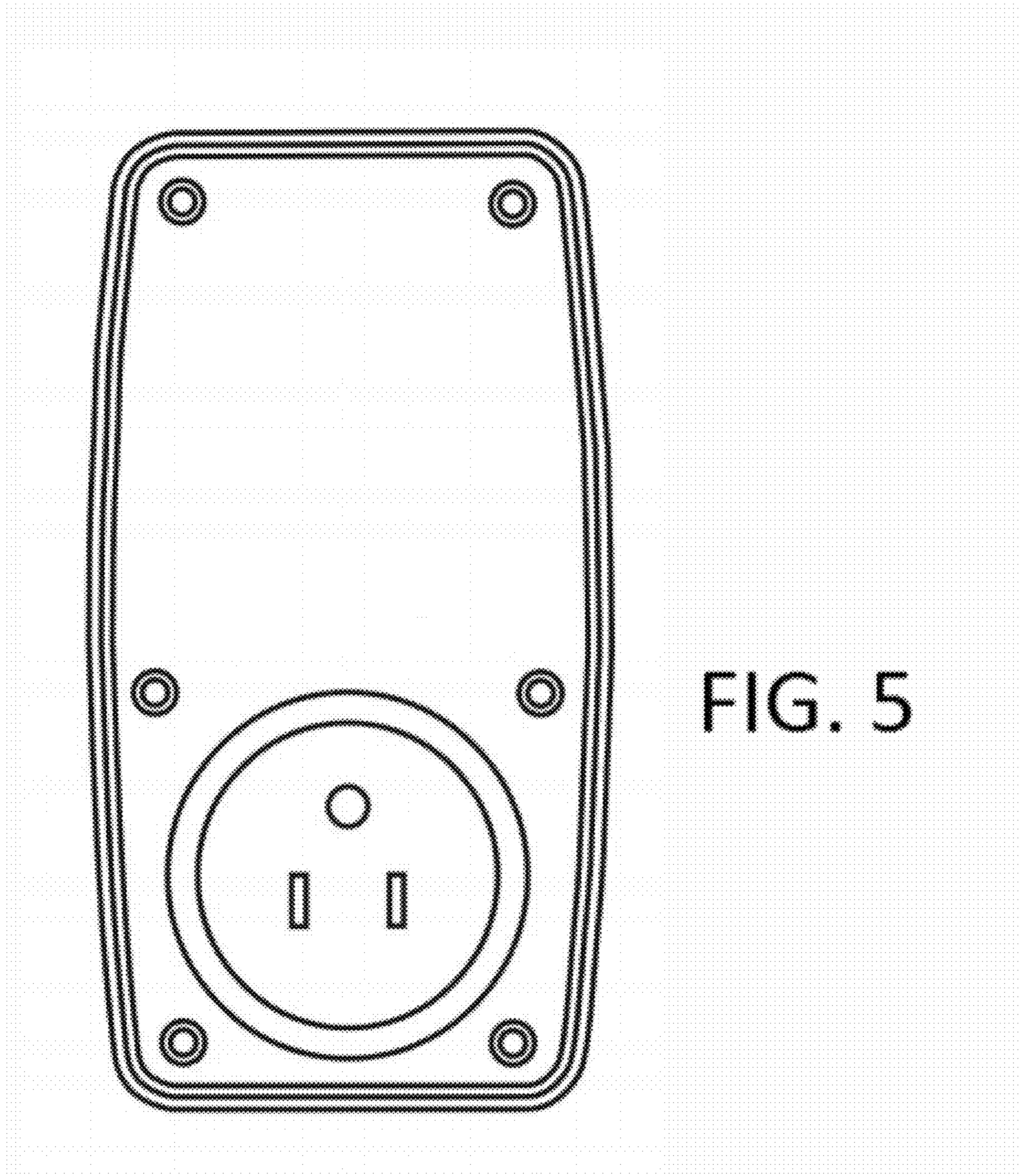


FIG. 5

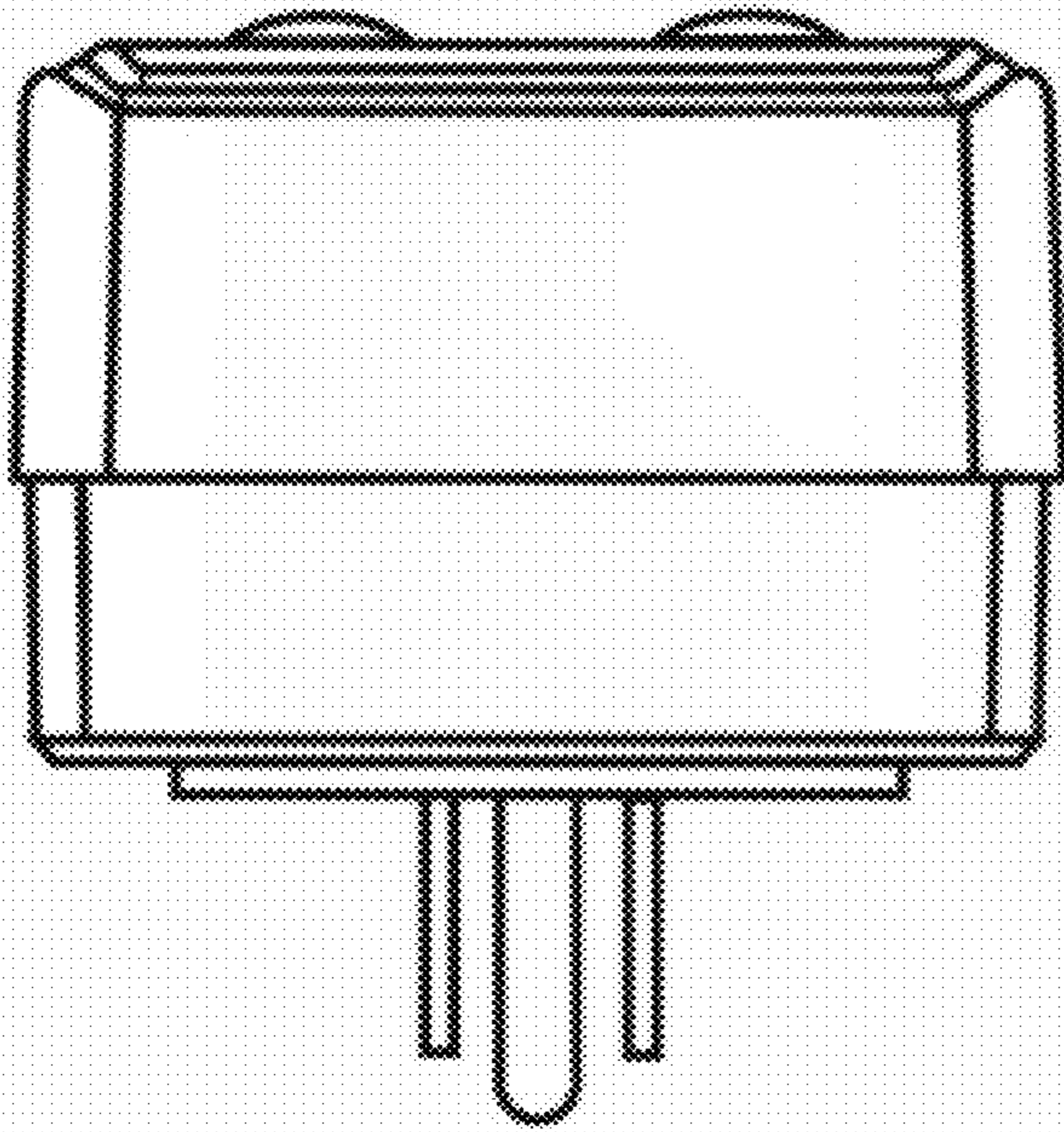


FIG. 6

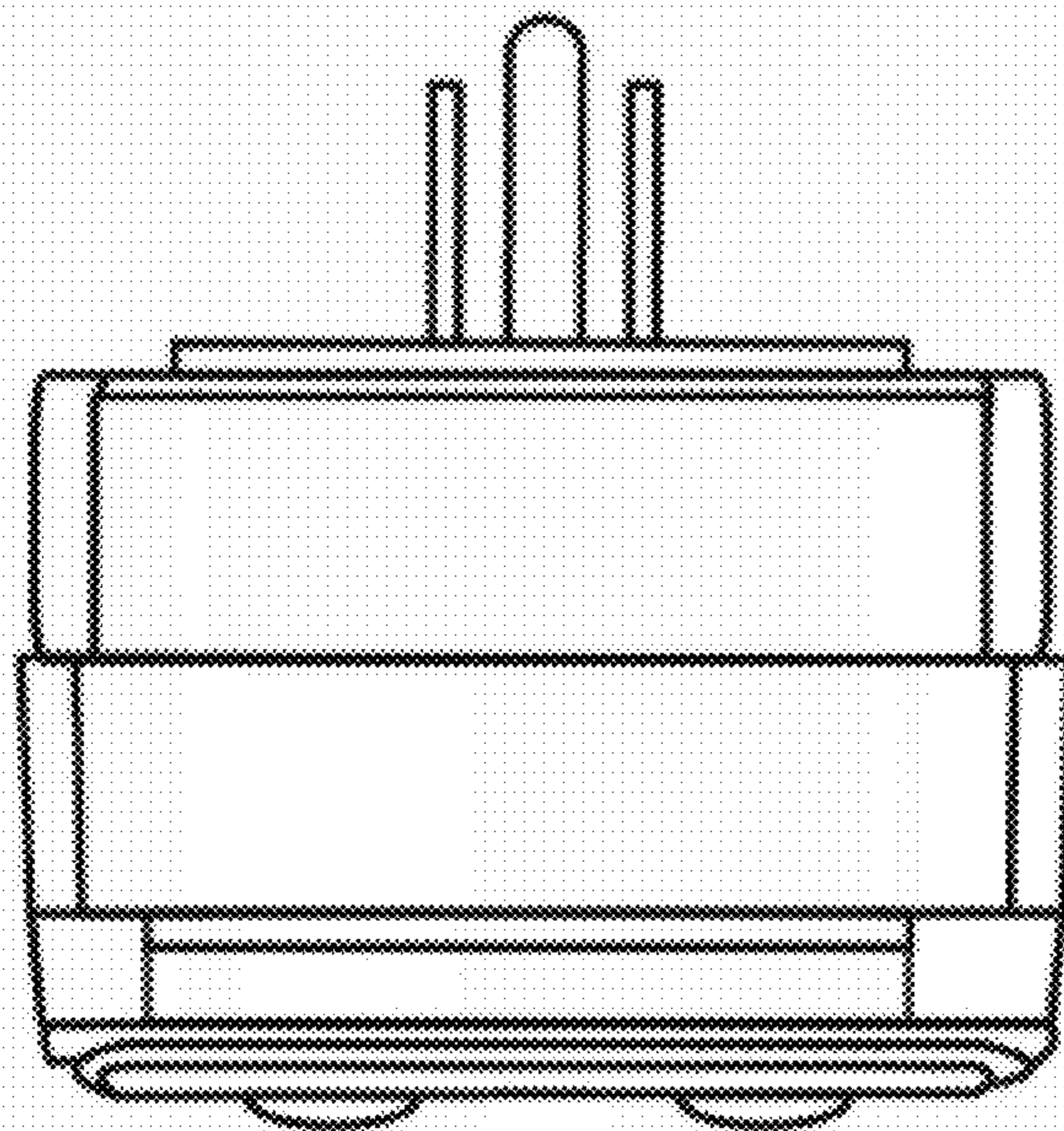


FIG. 7