

US00D664929S

(12) **United States Design Patent**
Saber et al.

(10) **Patent No.:** **US D664,929 S**

(45) **Date of Patent:** **** Aug. 7, 2012**

(54) **CONDUCTING TIP CONNECTOR**

(75) Inventors: **Reza Saber**, Tehran (IR); **Saeed Sarkar**,
Tehran (IR)

(73) Assignee: **NanoTechnology System Corporation**
(**NATSYCO**), Tehran (IR)

(**) Term: **14 Years**

(21) Appl. No.: **29/377,633**

(22) Filed: **Oct. 23, 2010**

(51) **LOC (9) Cl.** **13-03**

(52) **U.S. Cl.** **D13/154**

(58) **Field of Classification Search** D13/133,
D13/154, 180-182, 184, 199; D24/133,
D24/170, 187, 231-232; 439/1, 866, 884,
439/886, 892, 894, 905, 907-908, 954

See application file for complete search history.

(56) **References Cited**

U.S. PATENT DOCUMENTS

D274,263 S *	6/1984	Duffy	D24/142
D360,686 S *	7/1995	Kumar et al.	D24/133
D402,632 S *	12/1998	Richards et al.	D13/154
D471,876 S *	3/2003	Jaag	D13/154

D614,143 S * 4/2010 Matsuoka D13/154
* cited by examiner

Primary Examiner — Daniel Bui

(74) *Attorney, Agent, or Firm* — International IP Group,
LLC

(57) **CLAIM**

The ornamental design for a conducting tip connector, sub-
stantially as shown and described.

DESCRIPTION

FIG. 1 is a top, right side perspective view of a conducting tip
connector showing our new design.

FIG. 2 is a bottom perspective view thereof, as viewed from
the bottom right side thereof.

FIG. 3 is a rear-side view thereof.

FIG. 4 is a front-side view thereof.

FIG. 5 is a bottom-side view thereof.

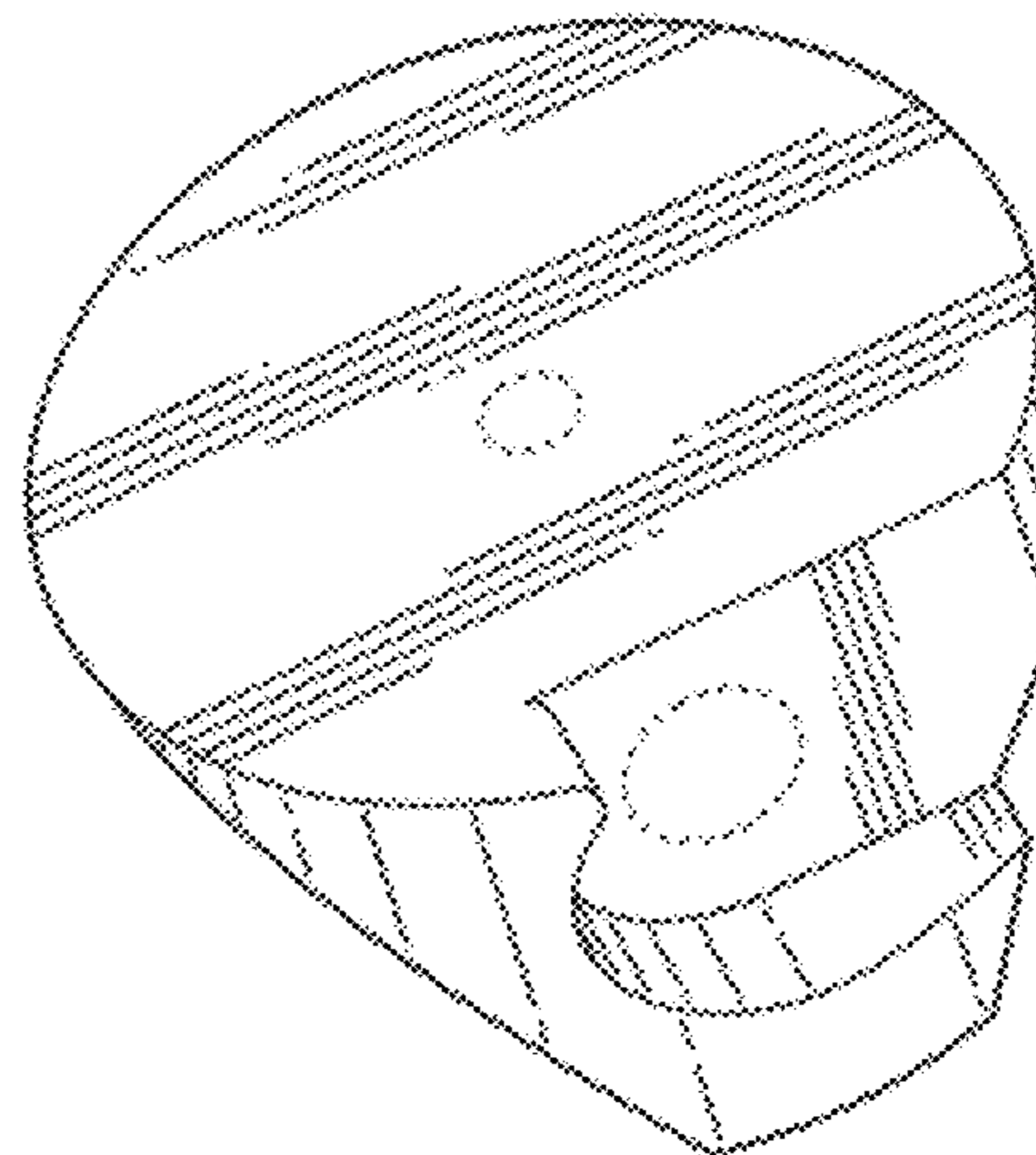
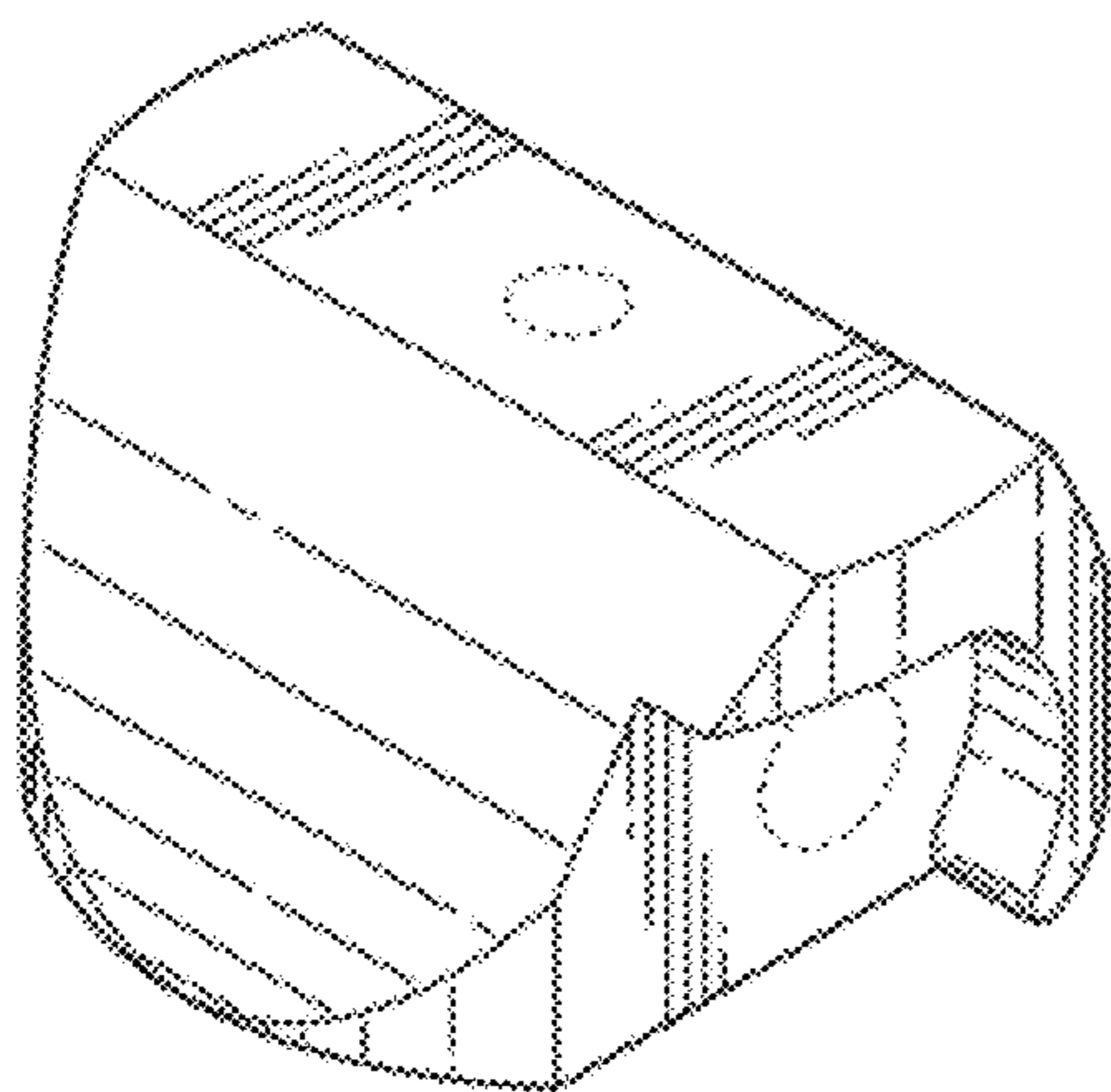
FIG. 6 is a top-side view thereof.

FIG. 7 is a right-side view thereof; and,

FIG. 8 is a left-side view thereof.

The broken line in the figure drawings is included for the
purpose of illustrating environment and forms no part of the
claimed design.

1 Claim, 4 Drawing Sheets



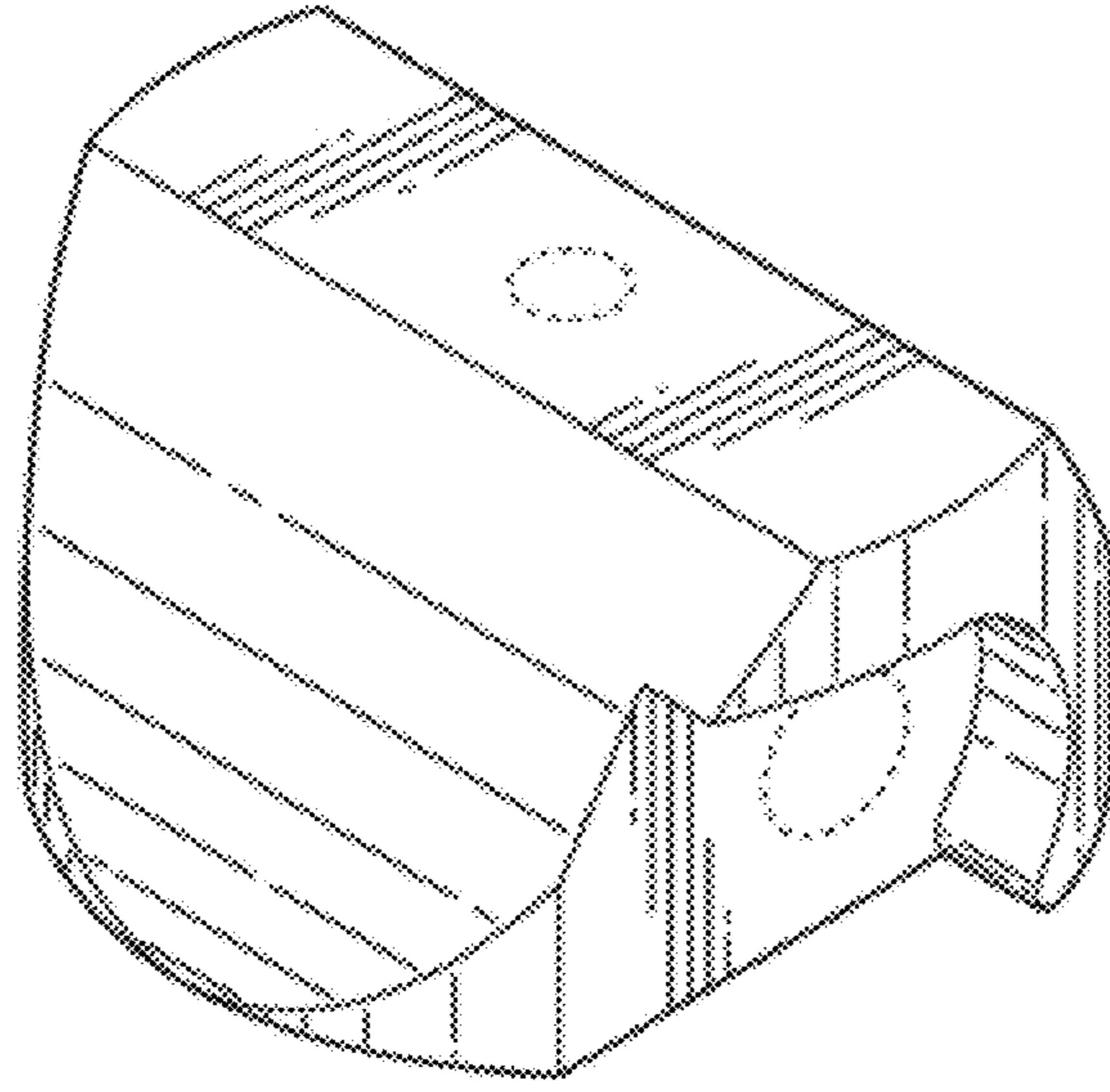


FIG. 1

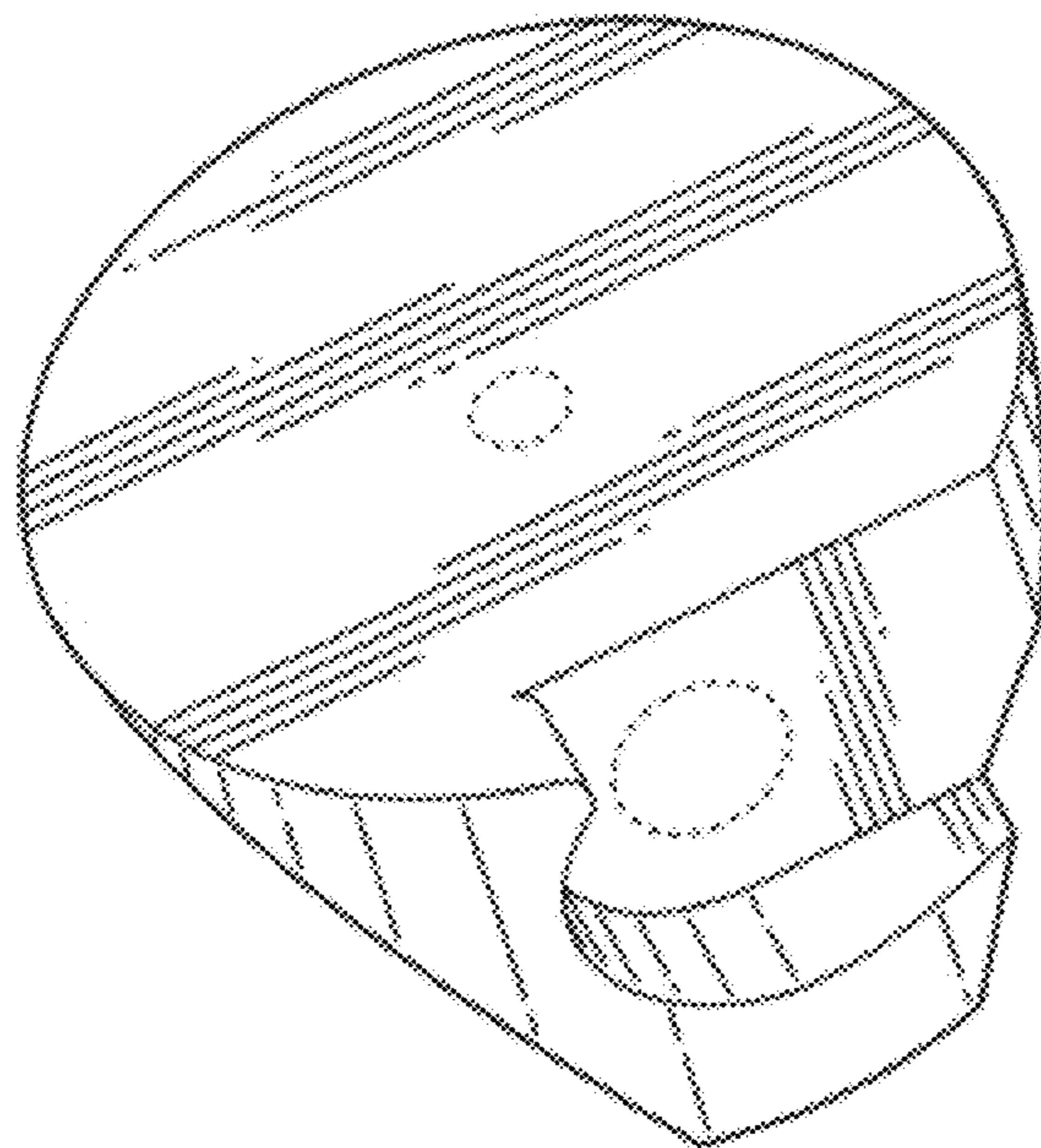


FIG. 2

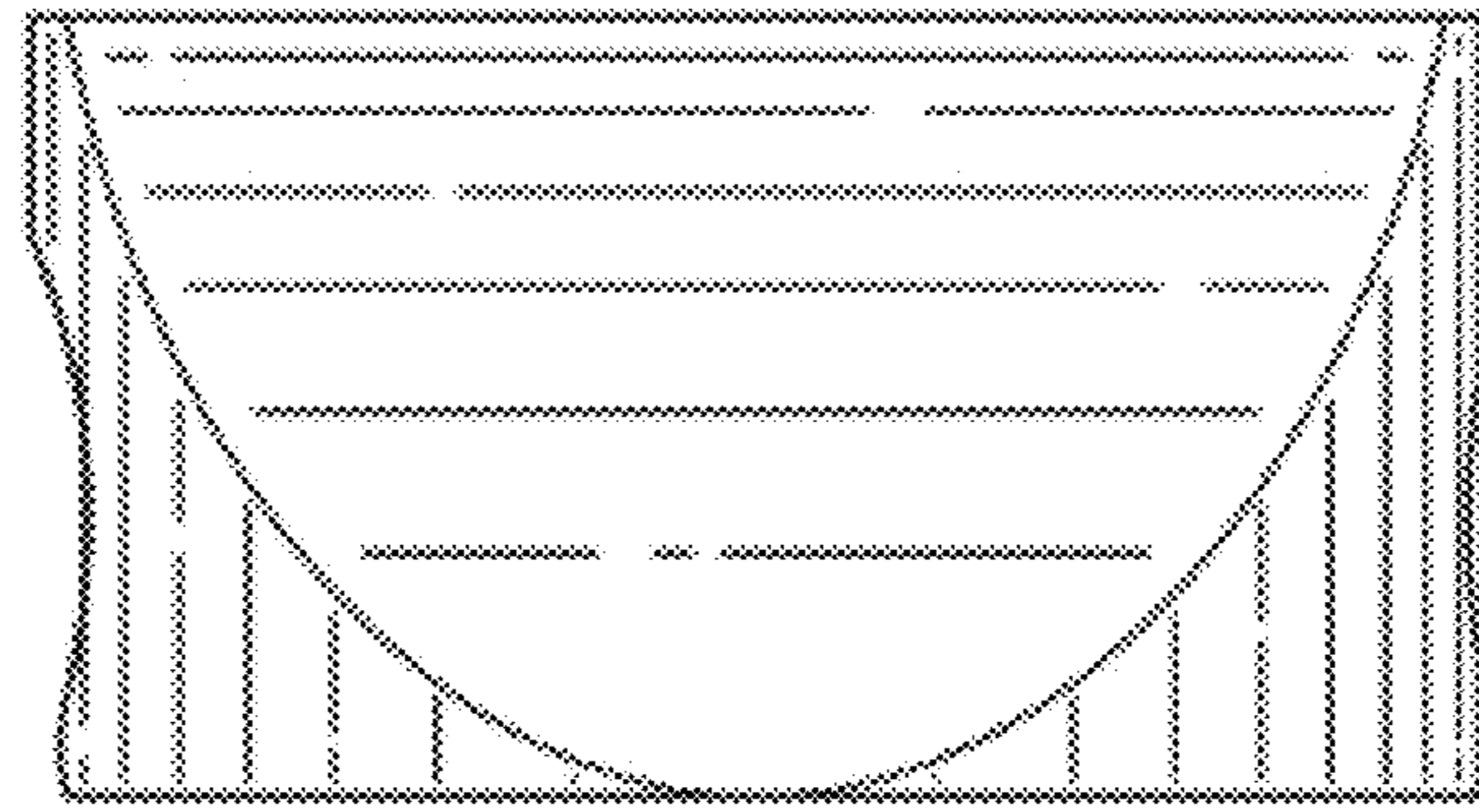


FIG. 3

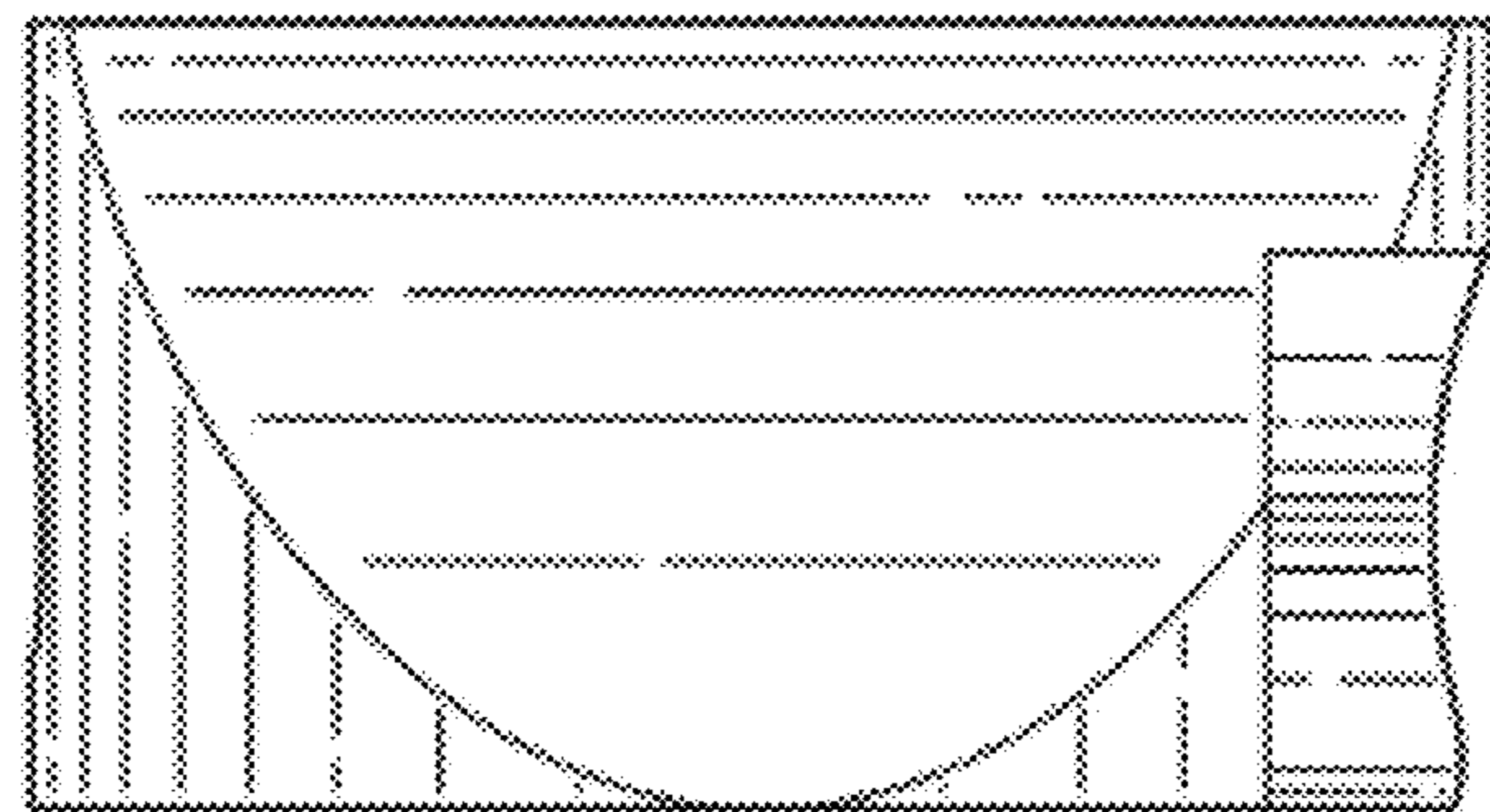


FIG. 4

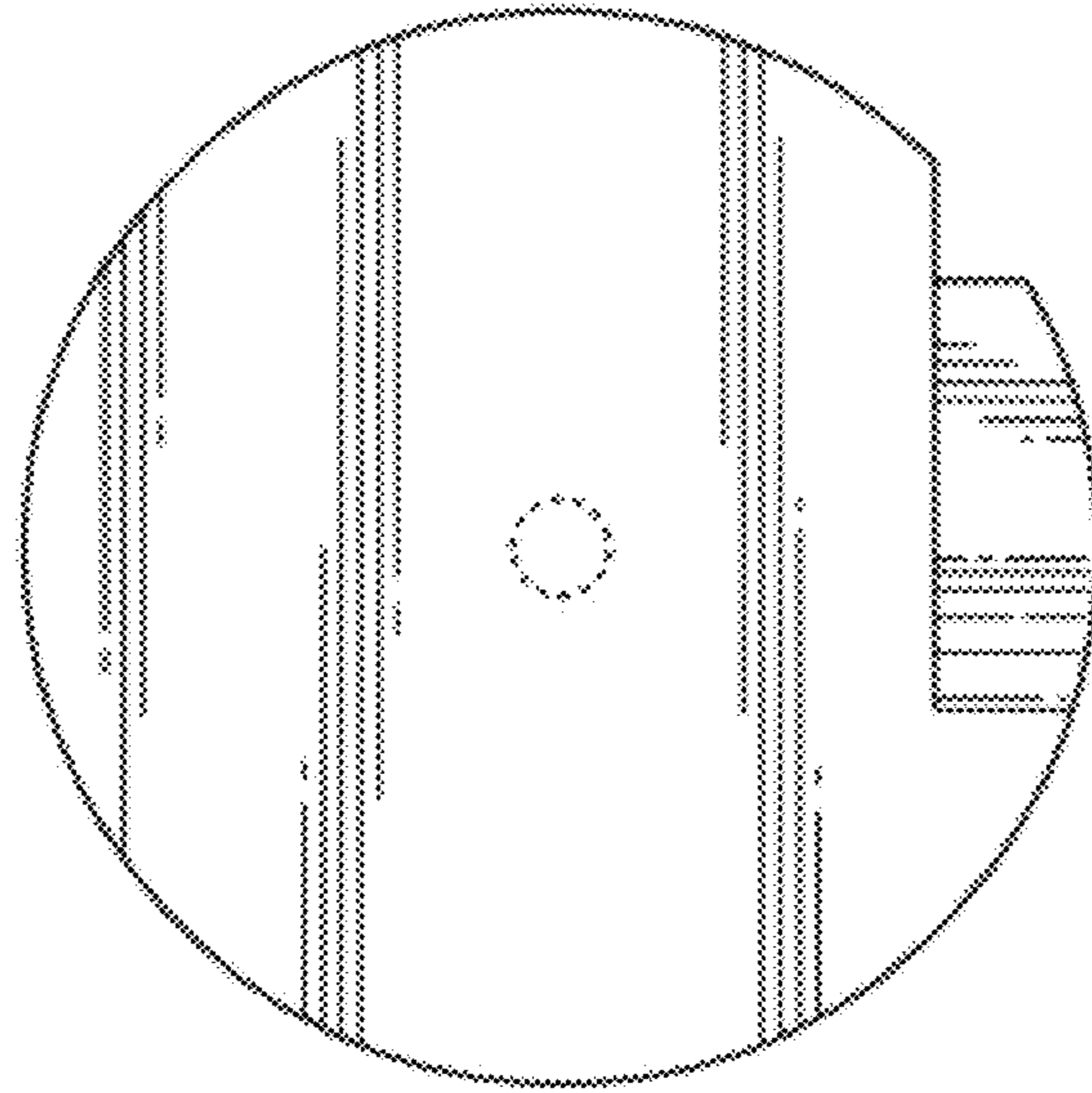


FIG. 5

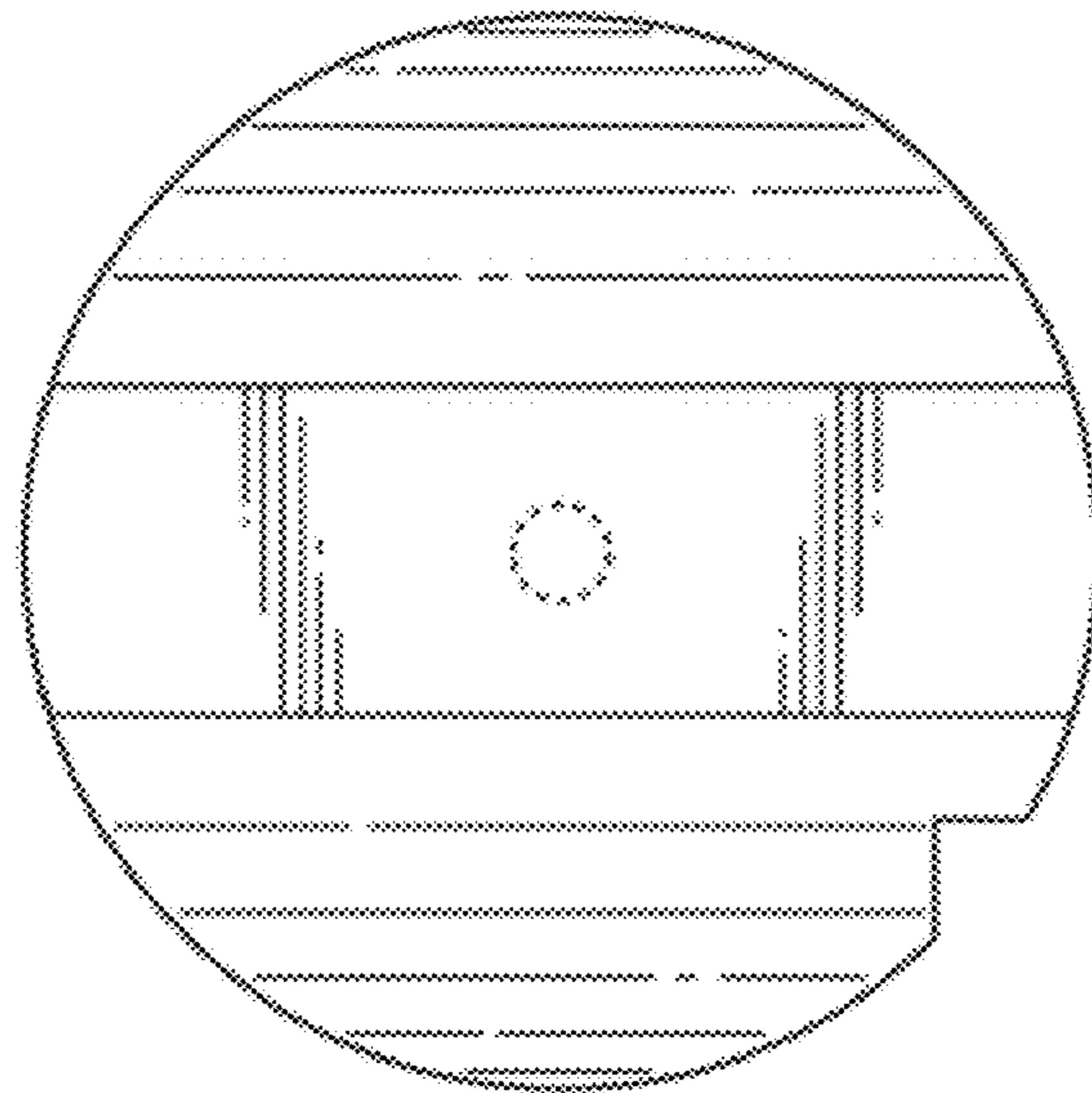


FIG. 6

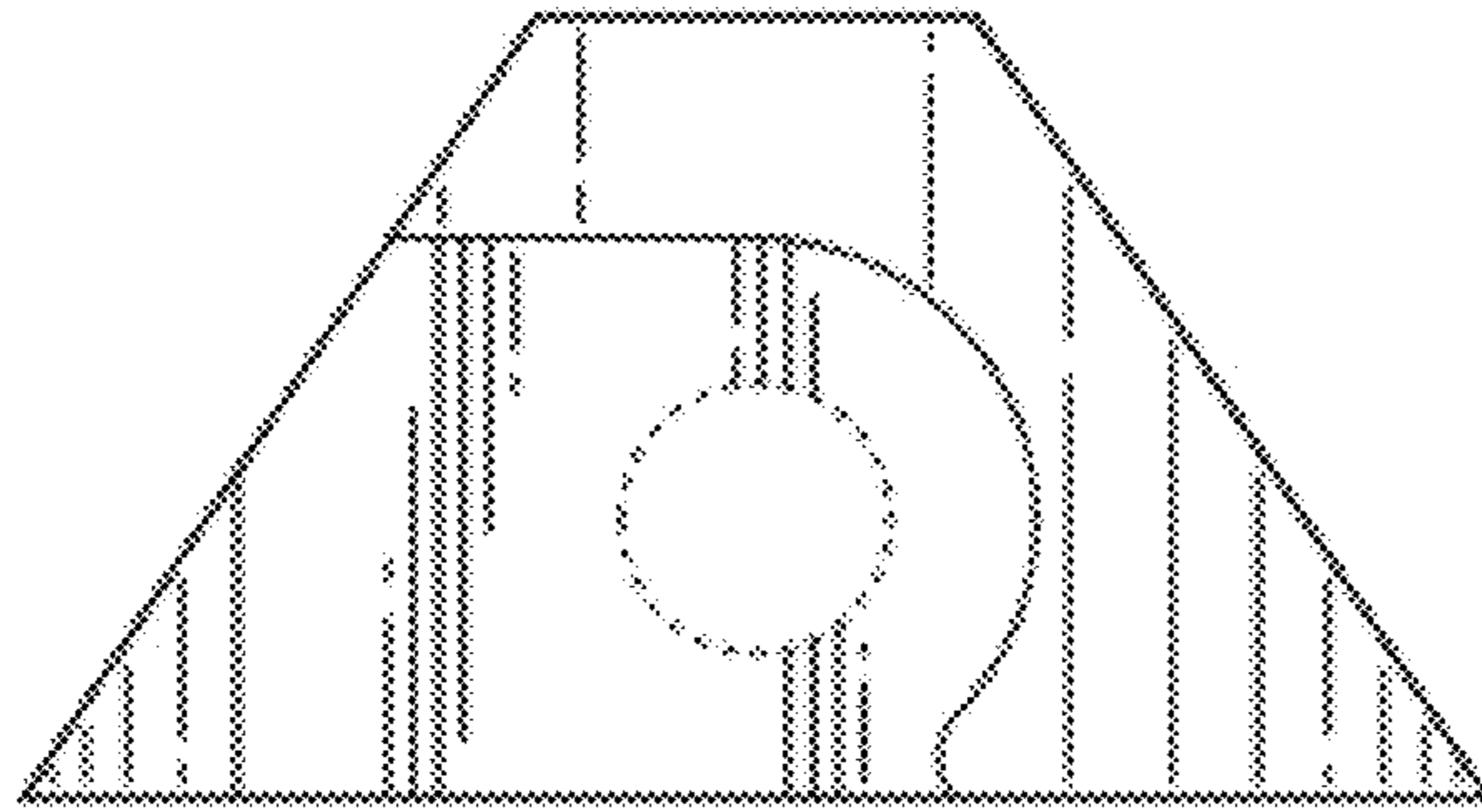


FIG. 7

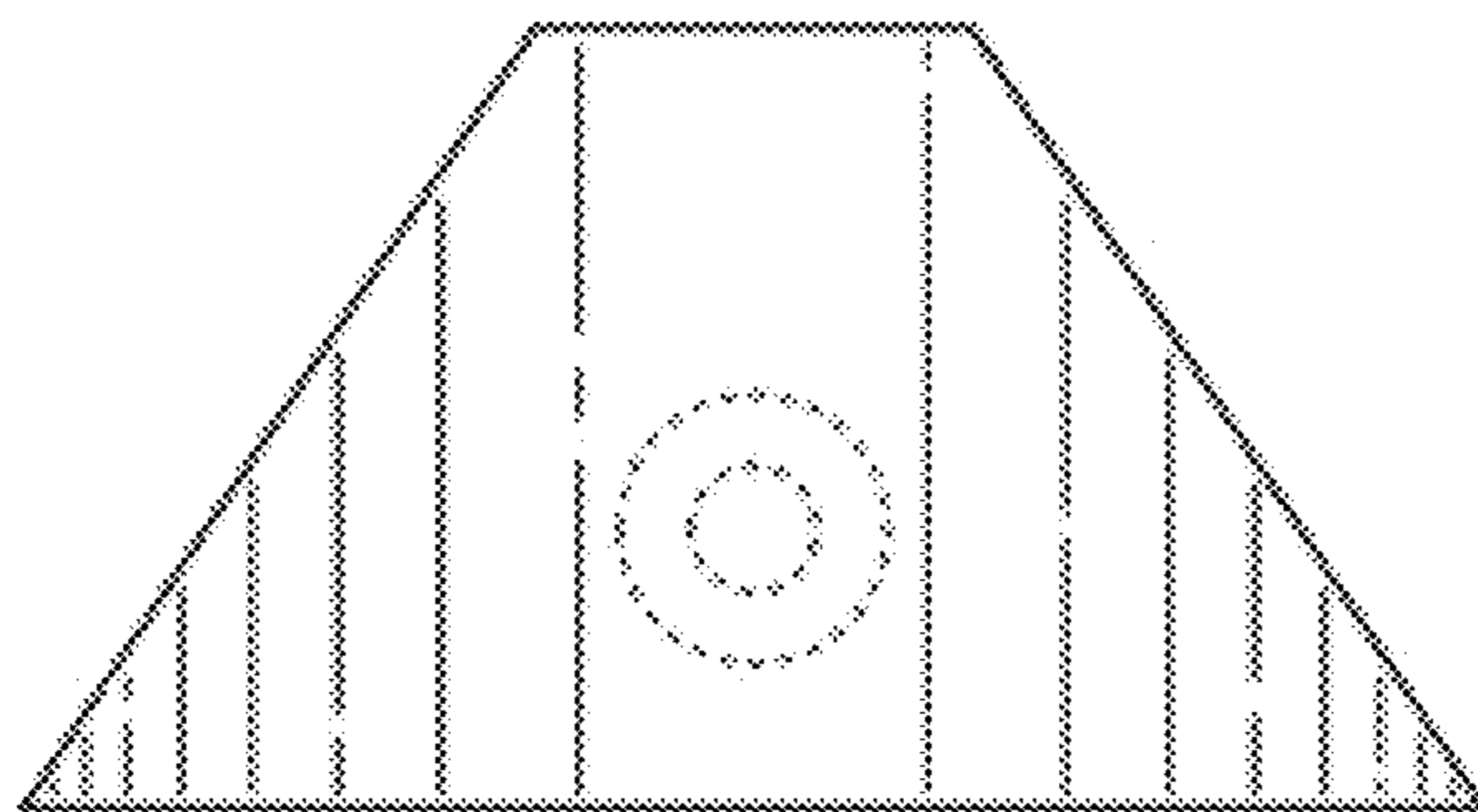


FIG. 8