



US00D664928S

(12) **United States Design Patent**  
**Yamauchi et al.**

(10) **Patent No.:** **US D664,928 S**

(45) **Date of Patent:** **\*\* Aug. 7, 2012**

(54) **FERRULE ASSEMBLY**

(75) Inventors: **Isao Yamauchi**, Tokyo (JP); **Nobuhiko Oda**, Tokyo (JP); **Hiroyuki Enda**, Tokyo (JP); **Satoshi Kano**, Tokyo (JP)

(73) Assignee: **Adamant Kogyo Co., Ltd.**, Tokyo (JP)

(\*\*) Term: **14 Years**

(21) Appl. No.: **29/371,724**

(22) Filed: **Jul. 28, 2011**

(30) **Foreign Application Priority Data**

Jan. 28, 2011 (JP) ..... D2011-001756

(51) **LOC (9) Cl.** ..... **13-03**

(52) **U.S. Cl.** ..... **D13/154; D13/133**

(58) **Field of Classification Search** ..... D13/133,  
D13/154, 184, 199; 385/53, 55, 56, 72, 76,  
385/78, 84; 439/180, 246, 252, 374, 378,  
439/379, 380, 381, 578, 668, 892, 894  
See application file for complete search history.

(56) **References Cited**

**U.S. PATENT DOCUMENTS**

D137,705 S \* 4/1944 Drury ..... D13/133  
5,575,666 A \* 11/1996 Dent ..... 439/82

5,751,875 A \* 5/1998 Edwards et al. .... 385/84  
5,946,436 A \* 8/1999 Takashi ..... 385/60  
6,595,697 B2 \* 7/2003 Hirabayashi et al. .... 385/78  
D480,689 S \* 10/2003 Ishibashi et al. .... D13/154  
6,709,167 B2 \* 3/2004 Ishibashi et al. .... 385/78  
D503,978 S \* 4/2005 Beck ..... D24/129  
D558,672 S \* 1/2008 Easley ..... D13/133  
D641,319 S \* 7/2011 Yamamoto et al. .... D13/133  
2010/0080510 A1 \* 4/2010 Riska et al. .... 385/54

\* cited by examiner

*Primary Examiner* — Daniel Bui

(74) *Attorney, Agent, or Firm* — Manabu Kanesaka

(57) **CLAIM**

The ornamental design for a ferrule assembly, as shown and described.

**DESCRIPTION**

FIG. 1 is a front view of a ferrule assembly showing our new design, the rear view, the bottom view and the top plane view being identical thereto;

FIG. 2 is a right side view thereof, the left side view being identical thereto; and,

FIG. 3 is a perspective view thereof.

The article pertaining to the design of the subject application constitutes a ferrule assembly which is used to support and connect optical fibers between thereof.

**1 Claim, 1 Drawing Sheet**

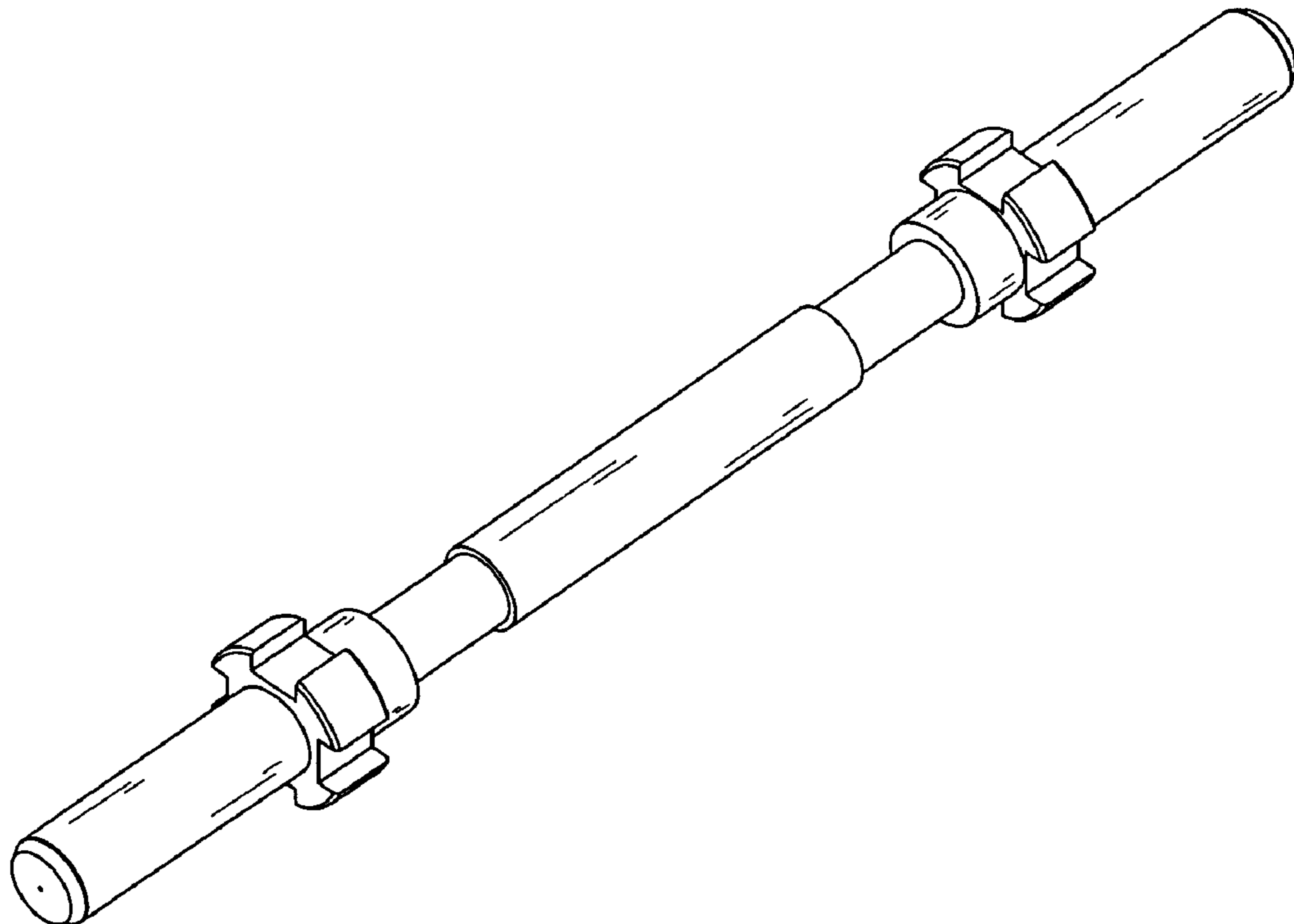


Fig. 1

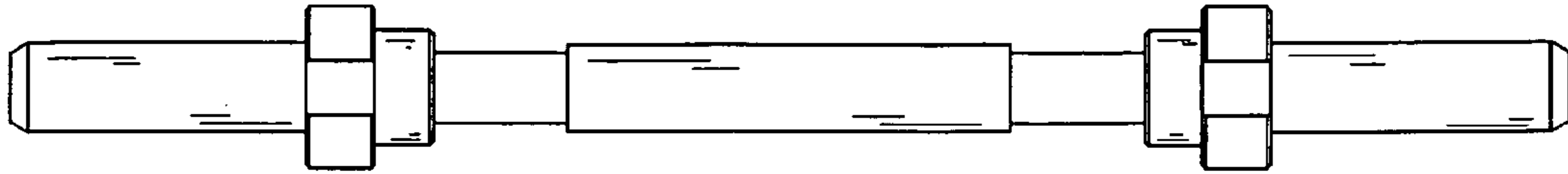


Fig. 2

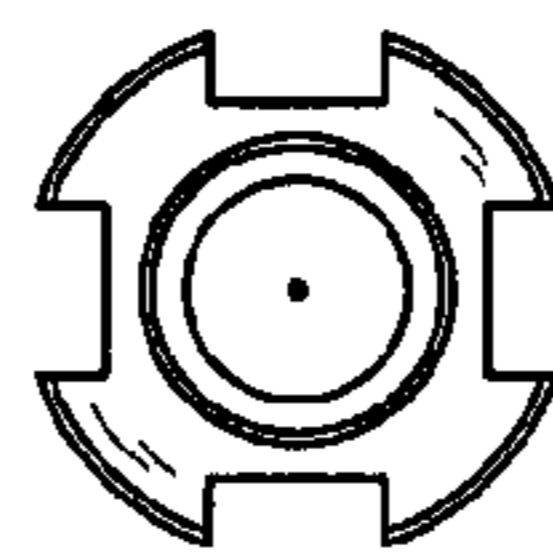


Fig. 3

