



US00D664926S

(12) **United States Design Patent**
Yudate

(10) **Patent No.:** **US D664,926 S**
(45) **Date of Patent:** **** Aug. 7, 2012**

(54) **WATERPROOF ELECTRICAL CONNECTOR**

(56) **References Cited**

(75) Inventor: **Shinya Yudate**, Matsuyama (JP)

U.S. PATENT DOCUMENTS

(73) Assignee: **EX Company Limited**, Matsuyama-shi
Ehime-ken (JP)

D618,623 S * 6/2010 Peng D13/147
D618,624 S * 6/2010 Chiang D13/147

* cited by examiner

(**) Term: **14 Years**

Primary Examiner — Daniel Bui

(21) Appl. No.: **29/416,629**

(74) *Attorney, Agent, or Firm* — JTT Patent Services, LLC;
Gerald T. Peters

(22) Filed: **Mar. 24, 2012**

(57) **CLAIM**

The ornamental design for a waterproof electrical connector,
substantially as shown and described.

Related U.S. Application Data

DESCRIPTION

(62) Division of application No. 29/381,917, filed on Dec.
27, 2010, now Pat. No. Des. 660,244.

FIG. 1 is a front elevational view of a waterproof electrical
connector showing my new design;
FIG. 2 is a rear elevational view thereof;
FIG. 3 is a right side elevational view thereof;
FIG. 4 is a left side elevational view thereof;
FIG. 5 is a top plan view thereof;
FIG. 6 is a bottom plan view thereof; and,
FIG. 7 is a top-front-right-side perspective view thereof.
The broken-line portion of the drawings is included only to
show unclaimed subject matter and forms no part of the
claimed design.

(30) **Foreign Application Priority Data**

Sep. 30, 2010 (JP) 2010-23393 D

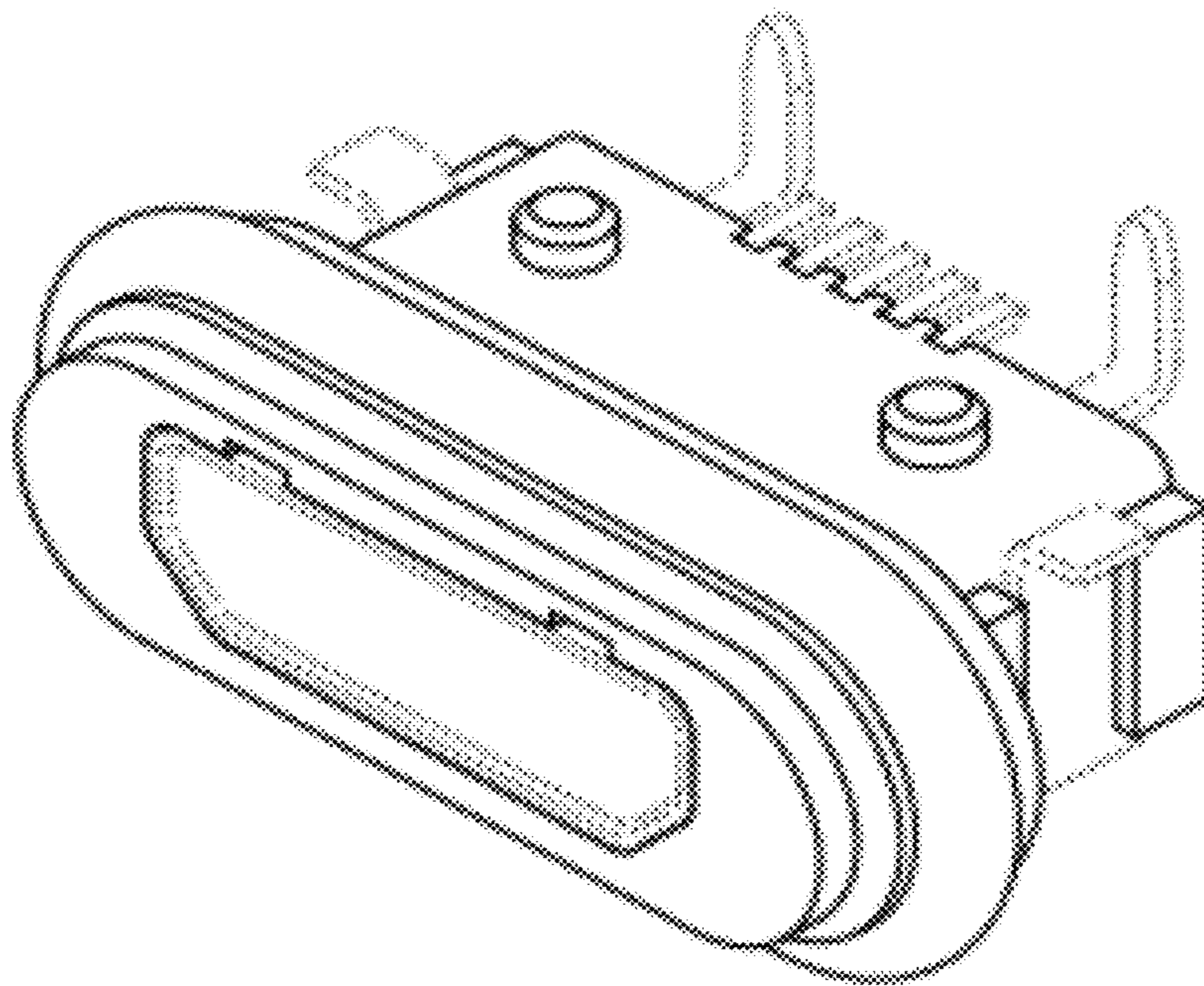
(51) **LOC (9) Cl.** **13-03**

(52) **U.S. Cl.** **D13/147**

(58) **Field of Classification Search** D13/147,
D13/154, 184, 199; 439/79, 108, 378, 567,
439/607.01, 607.04, 607.05, 607.17, 607.25,
439/607.34, 607.41, 607.53, 668, 680

See application file for complete search history.

1 Claim, 2 Drawing Sheets



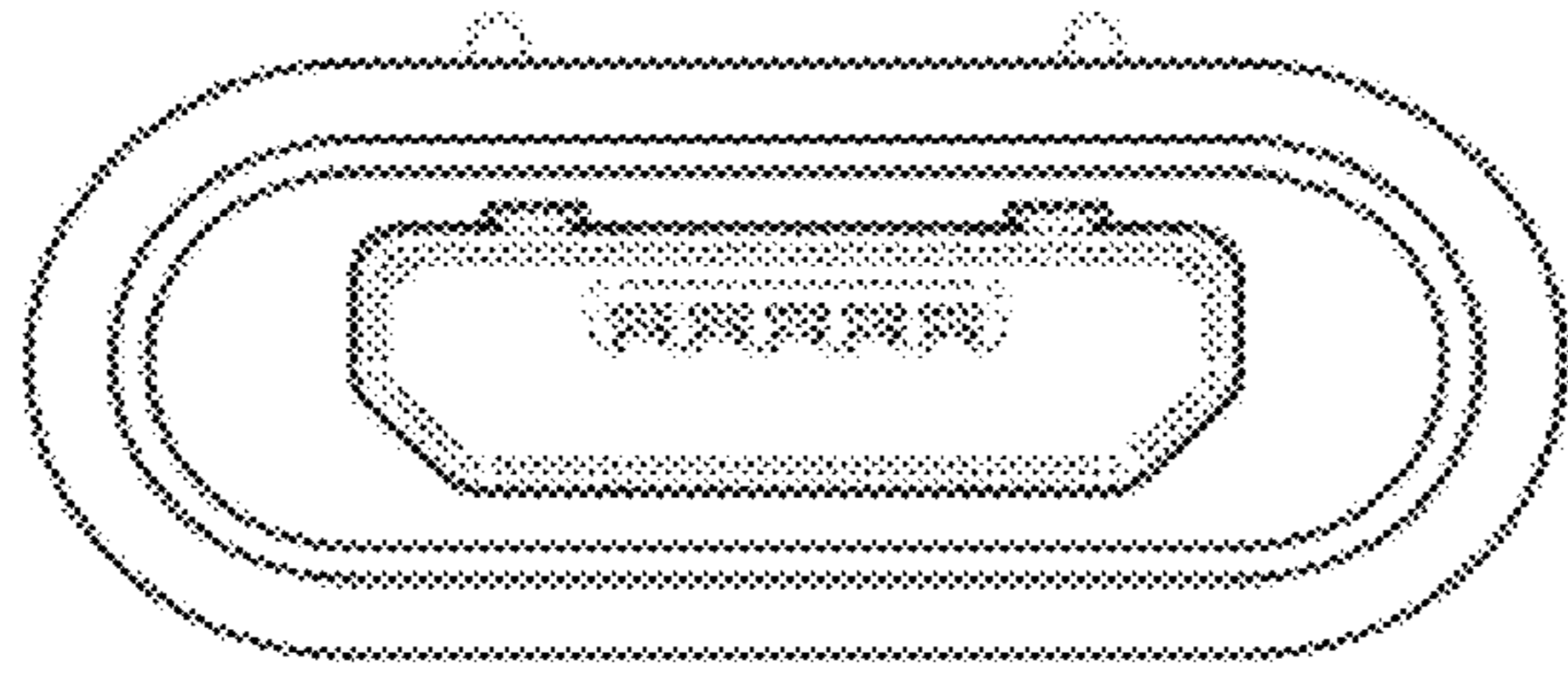


FIG. 1

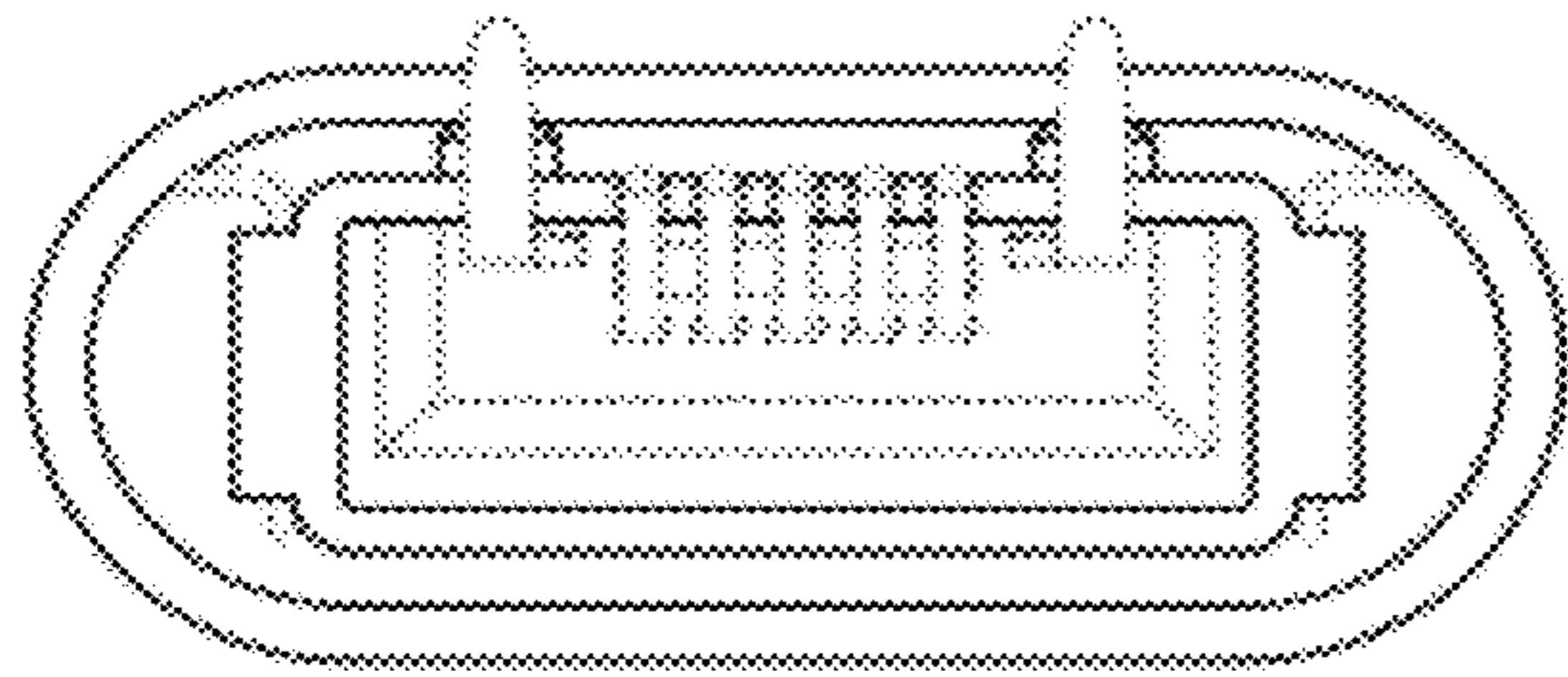


FIG. 2

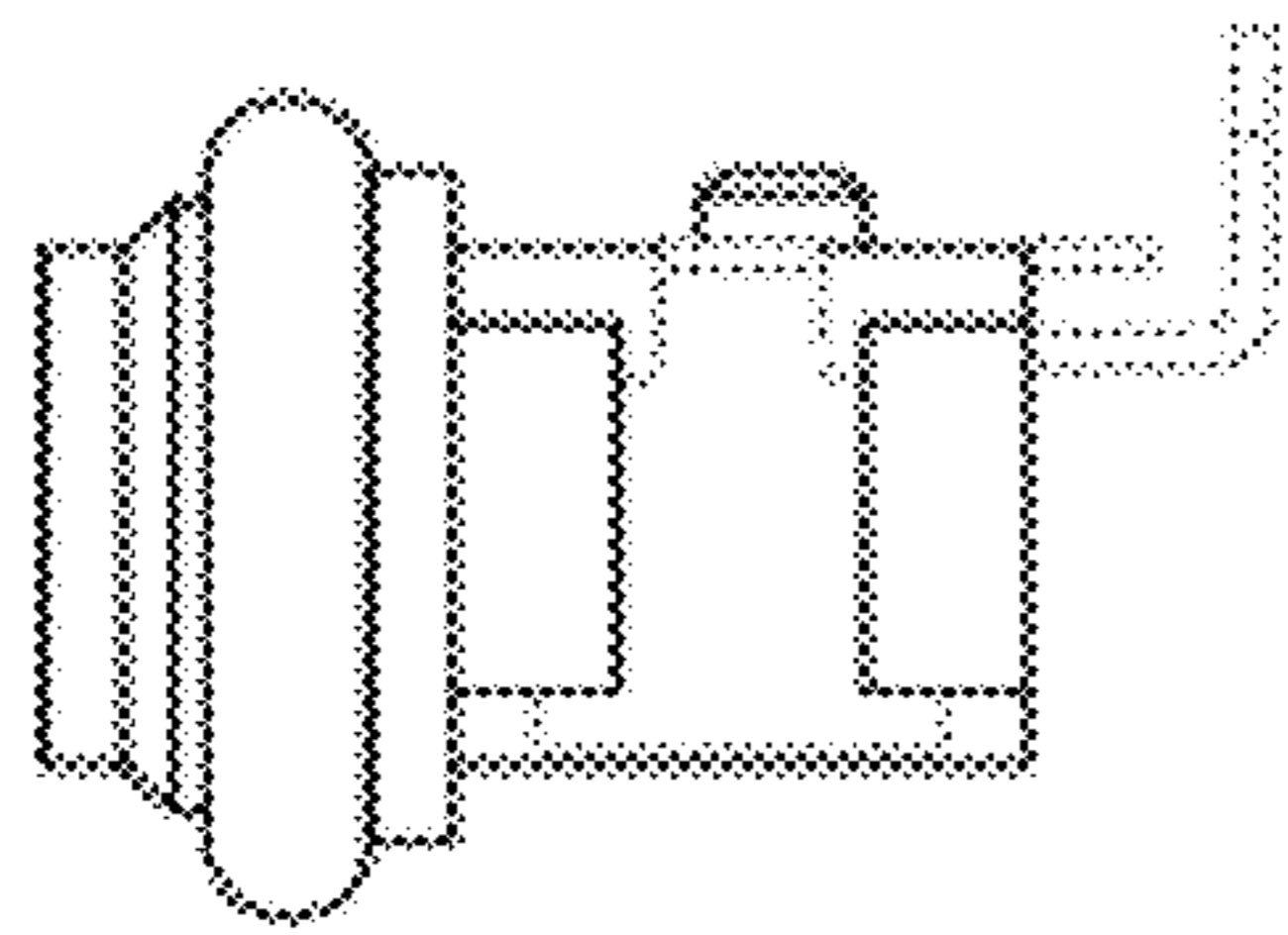


FIG. 3

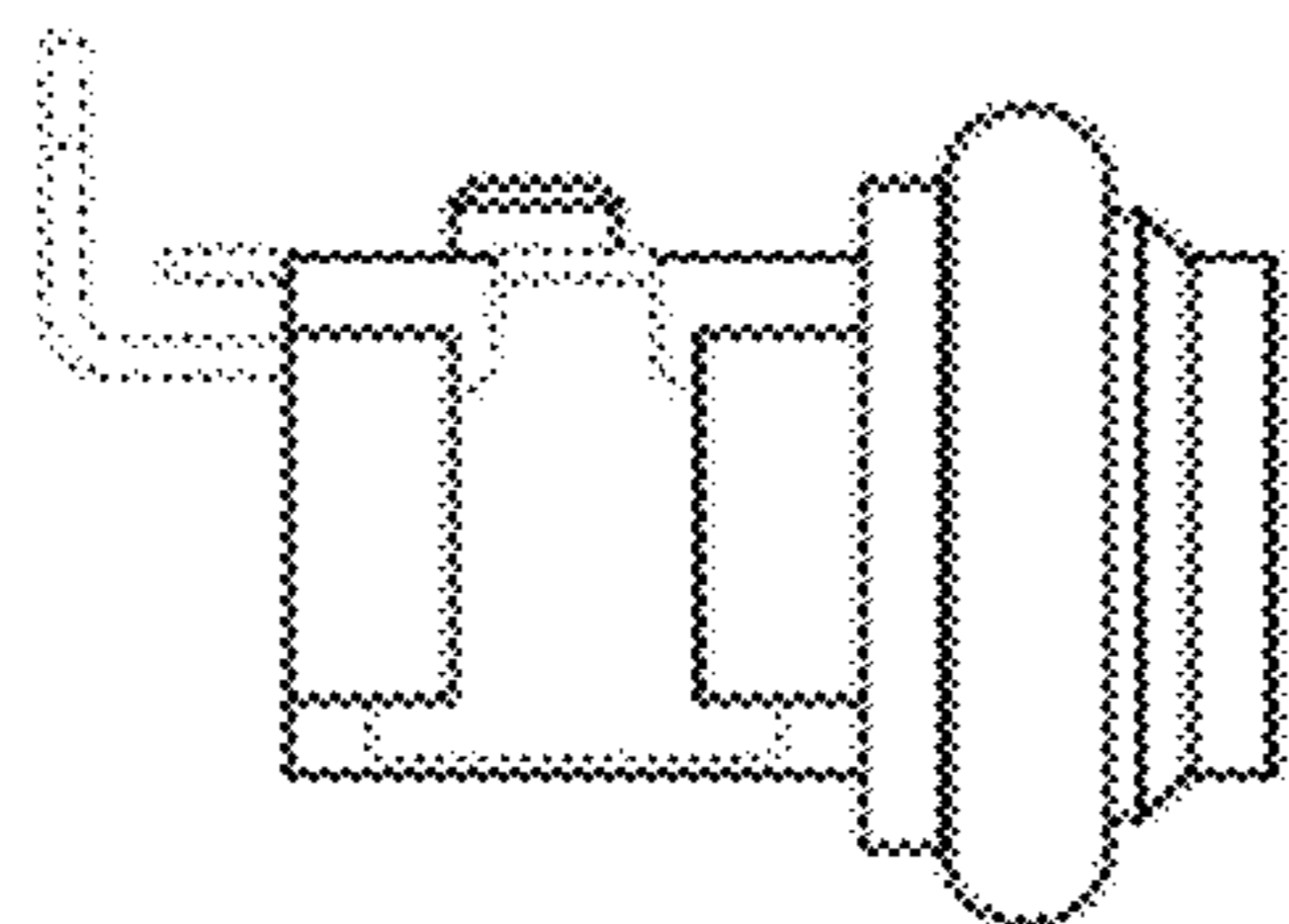


FIG. 4

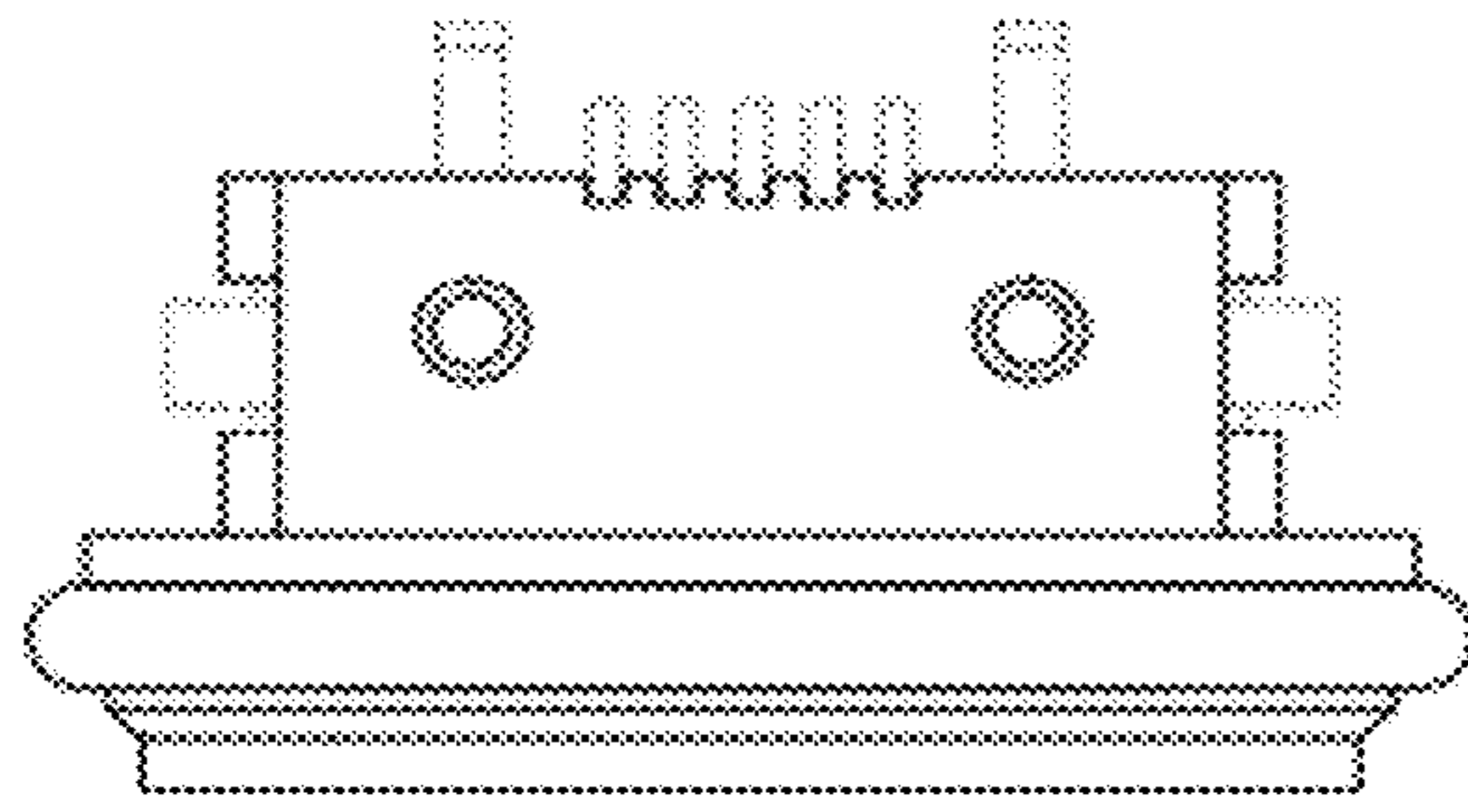


FIG. 5

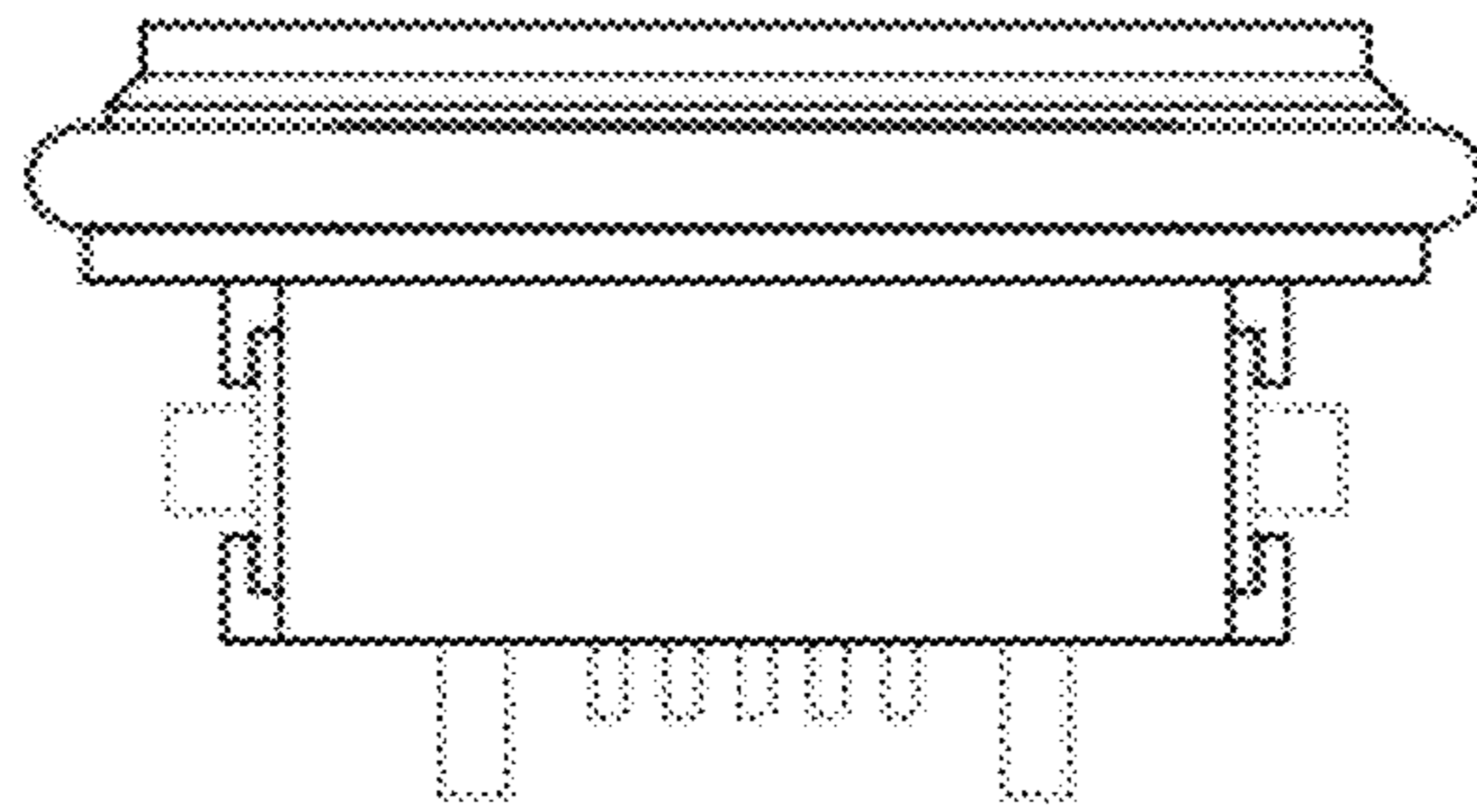


FIG. 6

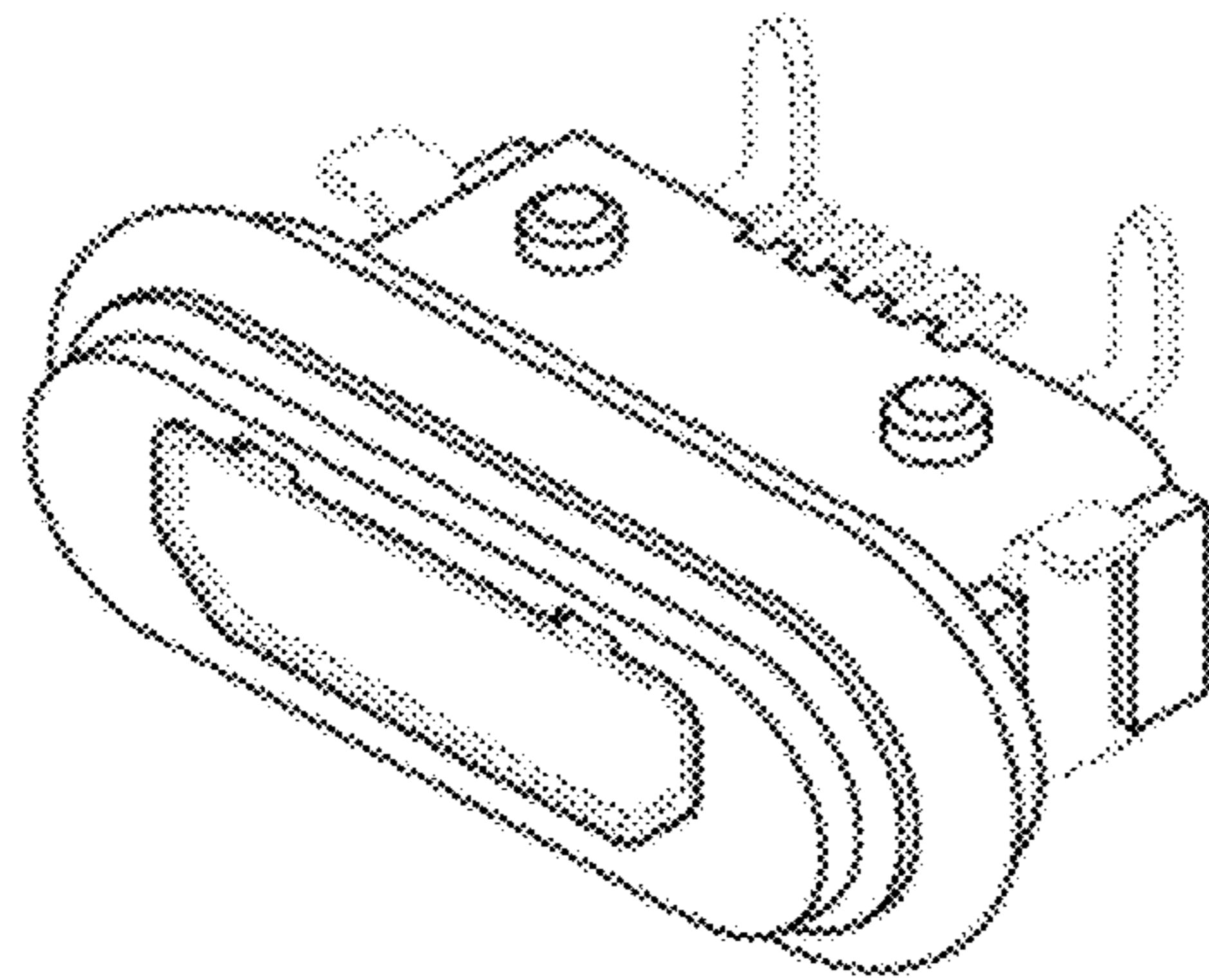


FIG. 7