



US00D664924S

(12) **United States Design Patent**
Zhang et al.

(10) **Patent No.:** **US D664,924 S**

(45) **Date of Patent:** **** Aug. 7, 2012**

(54) **ELECTRICAL CONNECTOR**

(56) **References Cited**

(75) Inventors: **Han-Ming Zhang**, Shenzhen (CN);
Guo-Dong Gu, Shenzhen (CN); **Jian Wang**, Shenzhen (CN)

U.S. PATENT DOCUMENTS

D534,493 S *	1/2007	Lin	D13/133
D547,268 S *	7/2007	Sato	D13/133
D552,032 S *	10/2007	Peng	D13/133
D611,414 S *	3/2010	Huang	D13/133
D632,251 S *	2/2011	Chen	D13/147
D644,183 S *	8/2011	Gao et al.	D13/147

(73) Assignee: **Hon Hai Precision Ind. Co., Ltd.**, New Taipei (TW)

* cited by examiner

(**) Term: **14 Years**

Primary Examiner — Daniel Bui

(21) Appl. No.: **29/385,936**

(74) *Attorney, Agent, or Firm* — Ming Chieh Chang; Wei Te Chung; Andrew C. Cheng

(22) Filed: **Feb. 23, 2011**

(57) **CLAIM**

The ornamental design for an electrical connector, as shown and described.

(30) **Foreign Application Priority Data**

DESCRIPTION

Oct. 13, 2010 (CN) 2010 3 0549884

(51) **LOC (9) Cl.** **13-03**

(52) **U.S. Cl.** **D13/133**

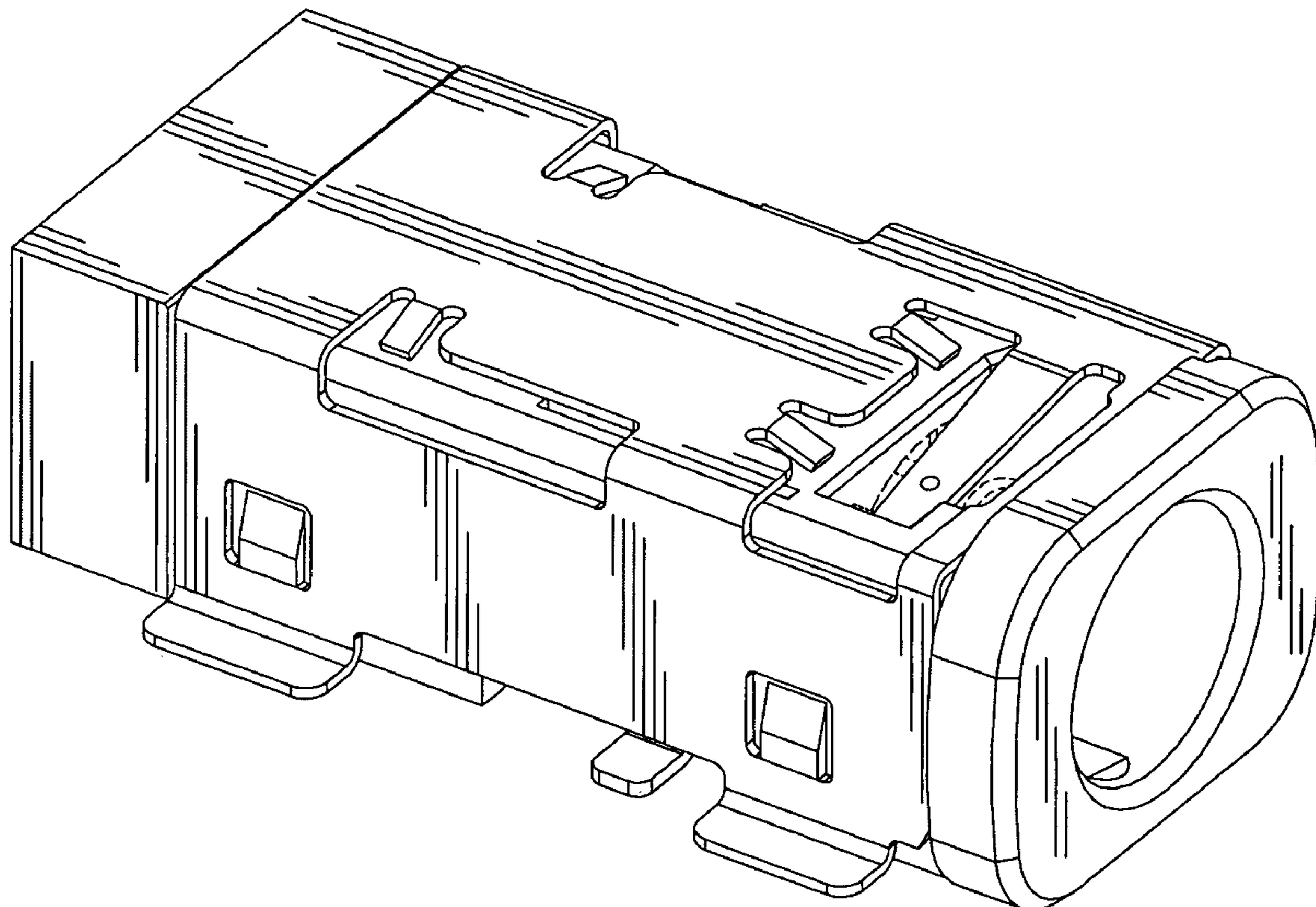
(58) **Field of Classification Search** D13/133,
D13/147, 154, 184; 439/188, 278, 374, 378,
439/380, 527, 533, 607.01, 607.04, 607.05,
439/607.17, 607.25, 607.34, 607.41, 607.53,
439/668, 540.1, 541.5, 660, 892, 894, 939

FIG. 1 is a front, top and left side perspective view of an electrical connector showing our new design; FIG. 2 is a front elevational view thereof; FIG. 3 is a rear elevational view thereof; FIG. 4 is a left side elevational view thereof; FIG. 5 is a right side elevational view thereof; FIG. 6 is a top plan view thereof; and, FIG. 7 is a bottom plan view thereof.

The broken line portion of the figure drawings is included for the purpose of illustrating environment and forms no part of the claimed design.

See application file for complete search history.

1 Claim, 7 Drawing Sheets



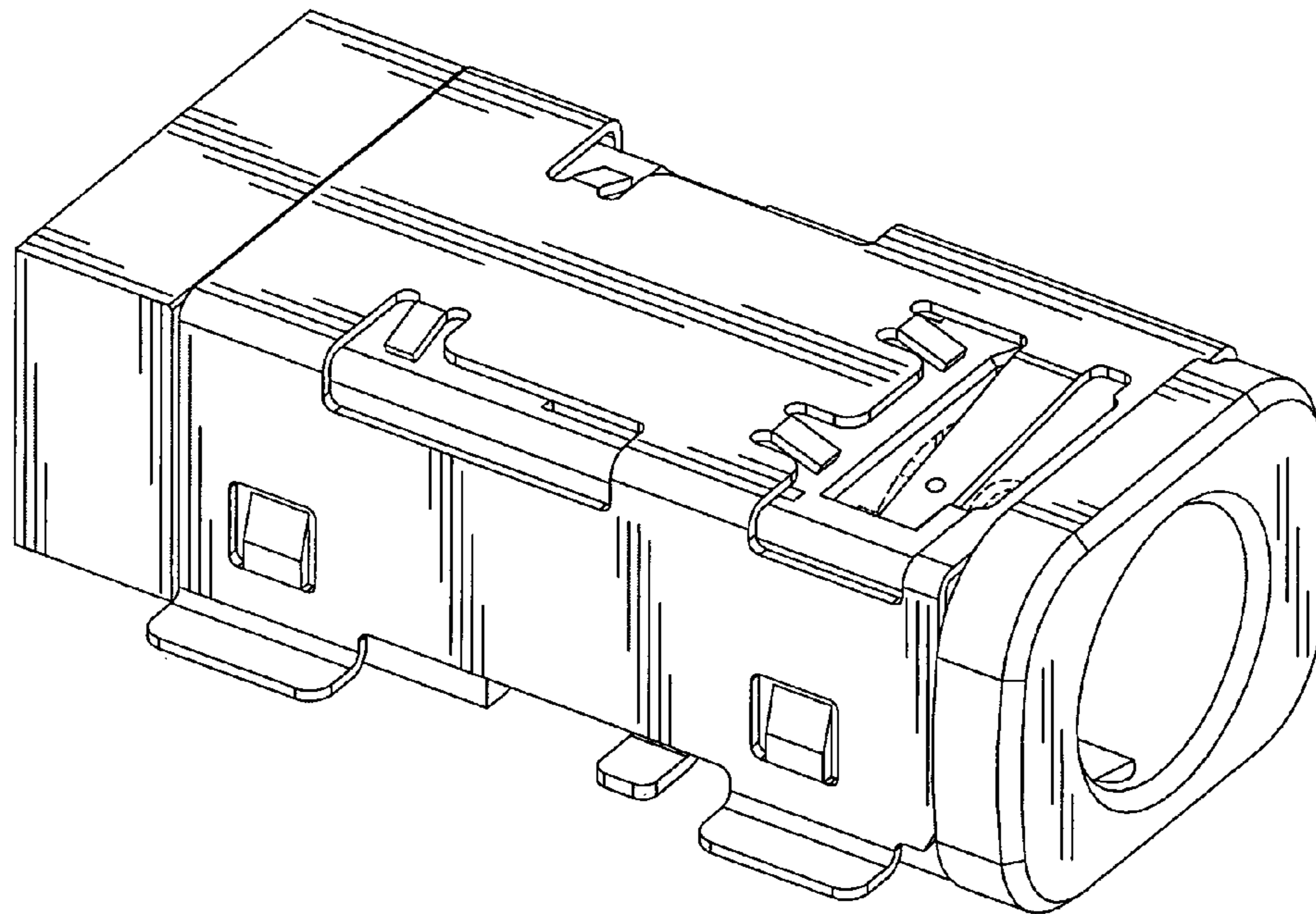


FIG. 1

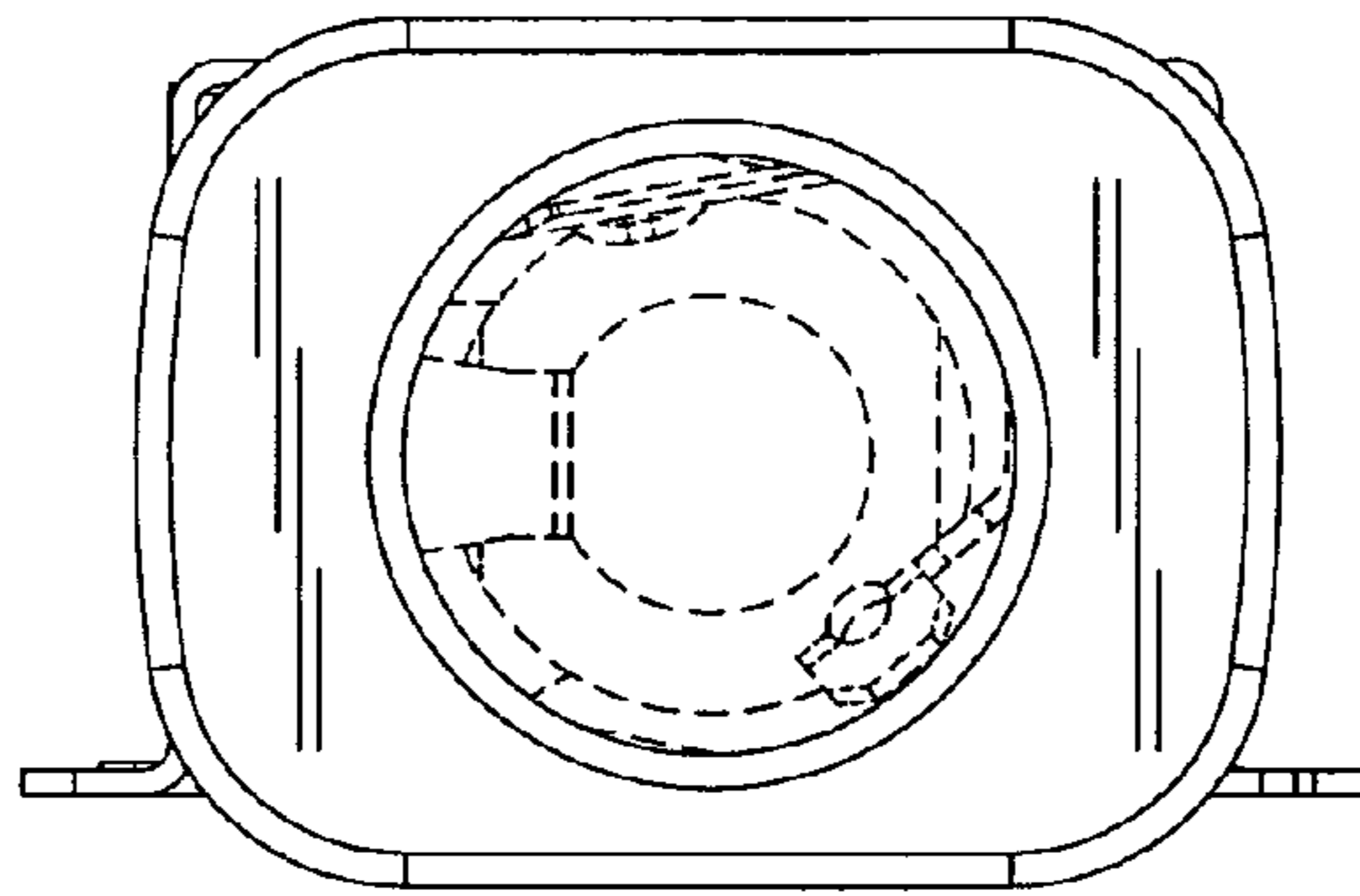


FIG. 2

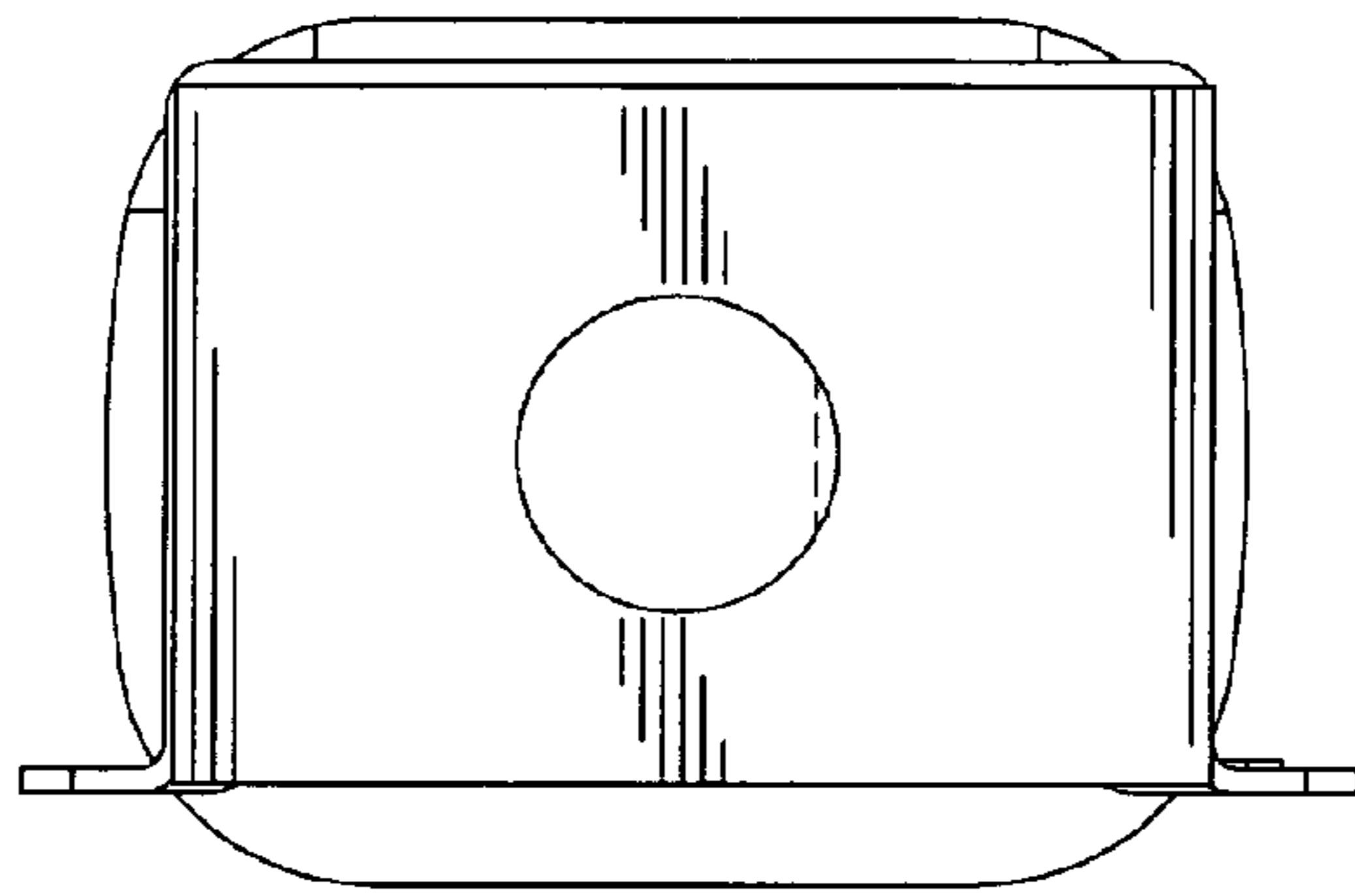


FIG. 3

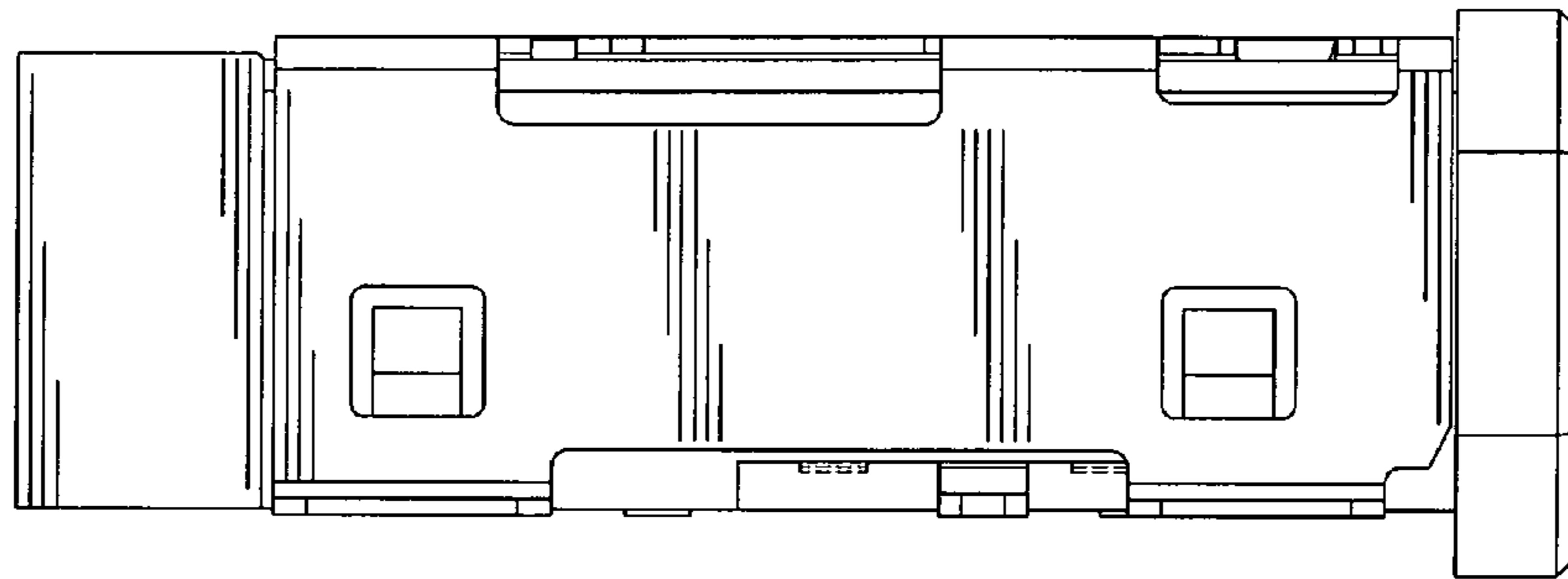


FIG. 4

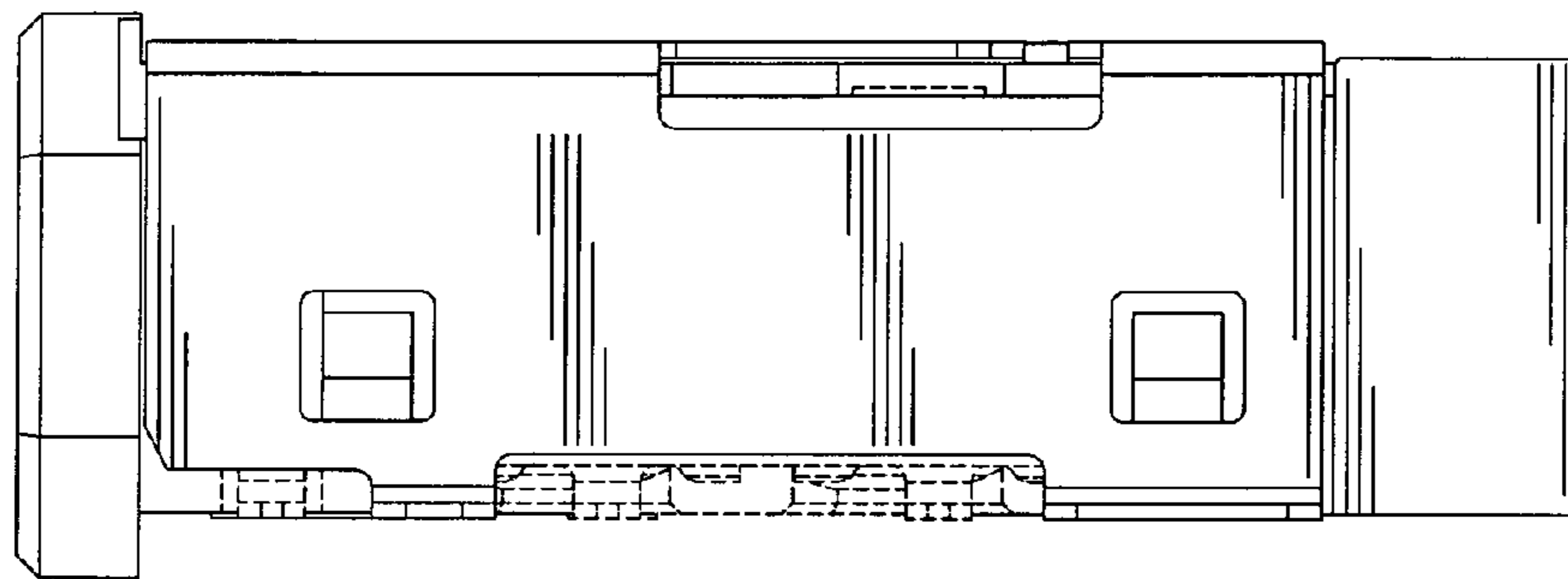


FIG. 5

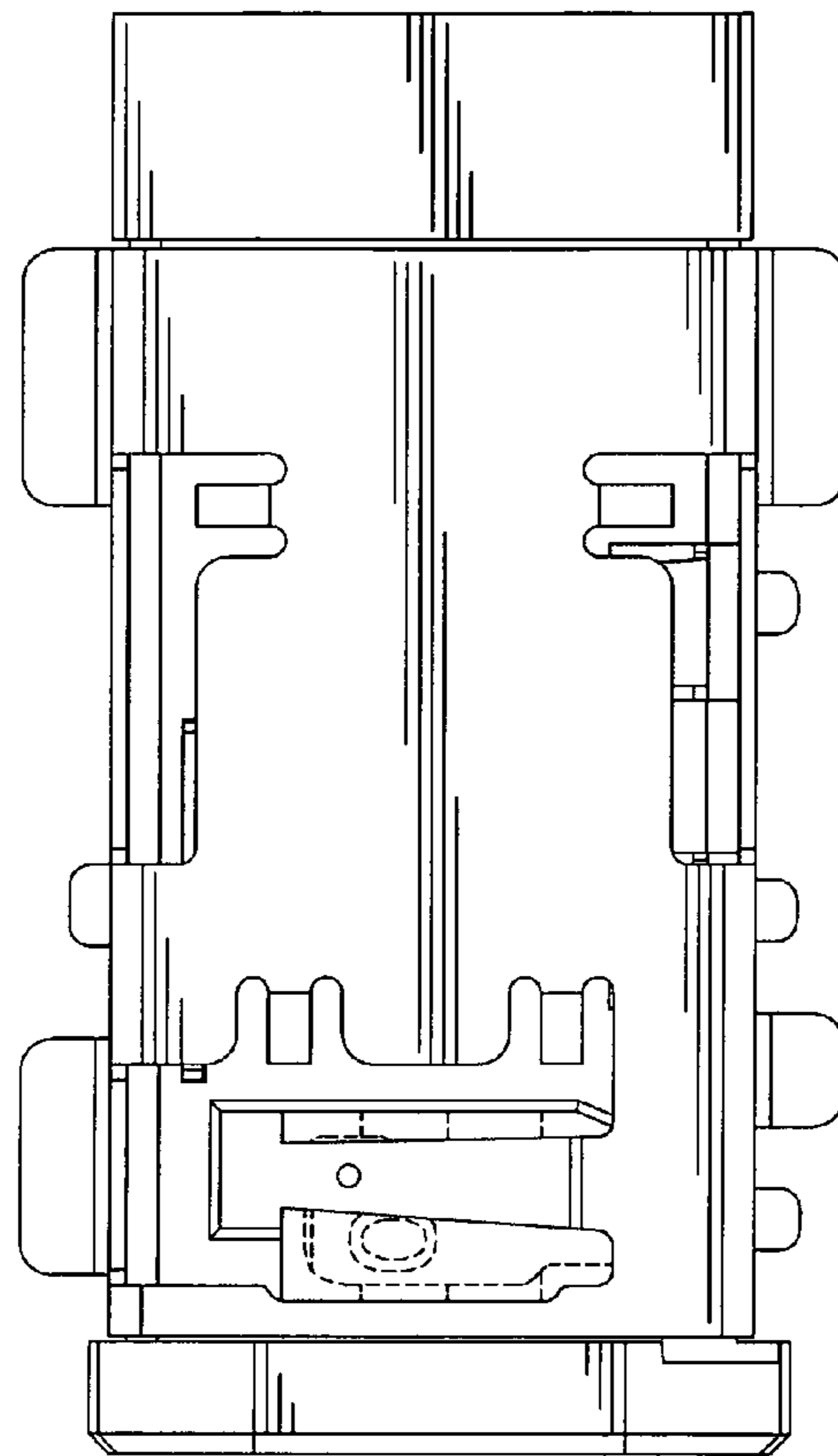


FIG. 6

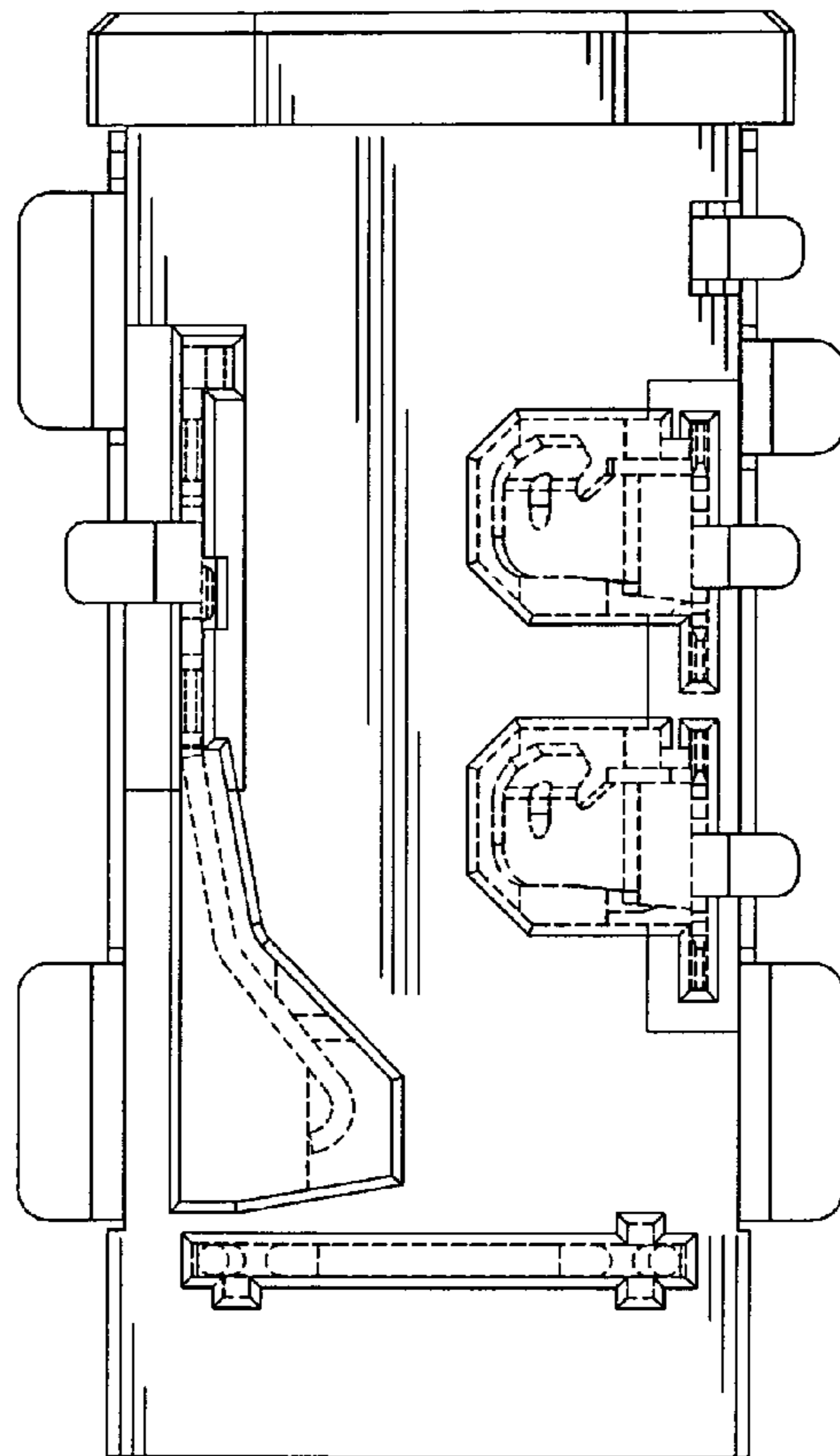


FIG. 7