

US00D664923S

(12) **United States Design Patent**
Harmon

(10) **Patent No.:** **US D664,923 S**

(45) **Date of Patent:** **** Aug. 7, 2012**

(54) **SIDE PANEL FOR A POWER CELL**

(76) Inventor: **Shannon Harmon**, Toledo, OH (US)

(**) Term: **14 Years**

(21) Appl. No.: **29/374,770**

(22) Filed: **Oct. 3, 2011**

(51) **LOC (9) Cl.** **13-02**

(52) **U.S. Cl.** **D13/119**

(58) **Field of Classification Search** D13/102–106,
D13/110, 118–119, 184; 429/96–100, 149,
429/163, 176, 187

See application file for complete search history.

(56) **References Cited**

U.S. PATENT DOCUMENTS

D238,580 S *	1/1976	Lehmann	D13/184
D238,581 S *	1/1976	Lehmann	D13/184
D238,682 S *	2/1976	Lehmann	D13/184
D284,463 S	7/1986	Perkins et al.		
D284,755 S	7/1986	Hennen		
4,632,888 A	12/1986	Kump et al.		
D287,718 S *	1/1987	Moeller	D13/123
D292,914 S *	11/1987	Moeller	D13/123
D336,074 S *	6/1993	Friend et al.	D13/184
5,492,779 A	2/1996	Ronning		
D383,434 S *	9/1997	Hooke et al.	D13/103
6,309,776 B1	10/2001	Okajima et al.		
D458,900 S	6/2002	Carter et al.		
6,572,999 B1	6/2003	Stocchiero		
D489,682 S *	5/2004	Guillarme	D13/110

D491,138 S	6/2004	Minato		
D510,320 S *	10/2005	Tuomola et al.	D13/110
D530,668 S *	10/2006	Carson et al.	D13/110
D546,282 S *	7/2007	Wardenburg	D13/110
D547,267 S *	7/2007	Thorsteinsson et al.	D13/110
D551,621 S *	9/2007	Iacovelli et al.	D13/110
D610,539 S *	2/2010	Dahan et al.	D13/110
D610,986 S *	3/2010	Chen et al.	D13/110
D620,432 S *	7/2010	Chen et al.	D13/110
D621,351 S *	8/2010	Huang et al.	D13/110
D624,494 S *	9/2010	Patterson	D13/110
D633,863 S *	3/2011	Qualls et al.	D13/106

* cited by examiner

Primary Examiner — Rosemary K Tarcza

(74) *Attorney, Agent, or Firm* — David C. Purdue

(57) **CLAIM**

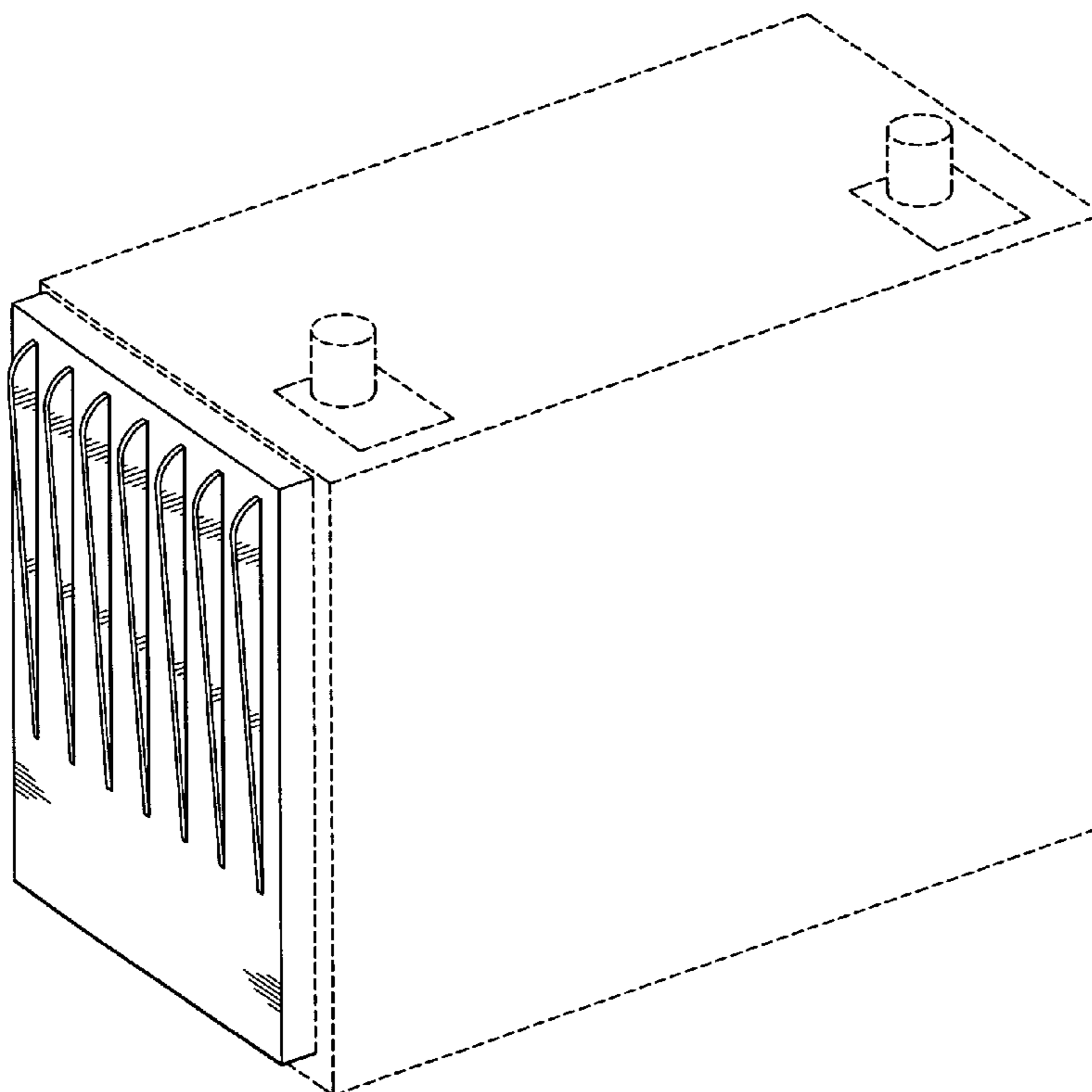
The ornamental design for a side panel for a power cell, as shown and described.

DESCRIPTION

FIG. 1 is a perspective view of the side panel for a power cell; FIG. 2 is a front view thereof; FIG. 3 is a right side view thereof; FIG. 4 is a left side view thereof; FIG. 5 is a top view thereof; and, FIG. 6 is a bottom view thereof.

The side panel for a power cell is not seen from the rear when in use. The power cell illustrated in broken lines illustrates environment for the side panel design and forms no part of the claimed design.

1 Claim, 3 Drawing Sheets



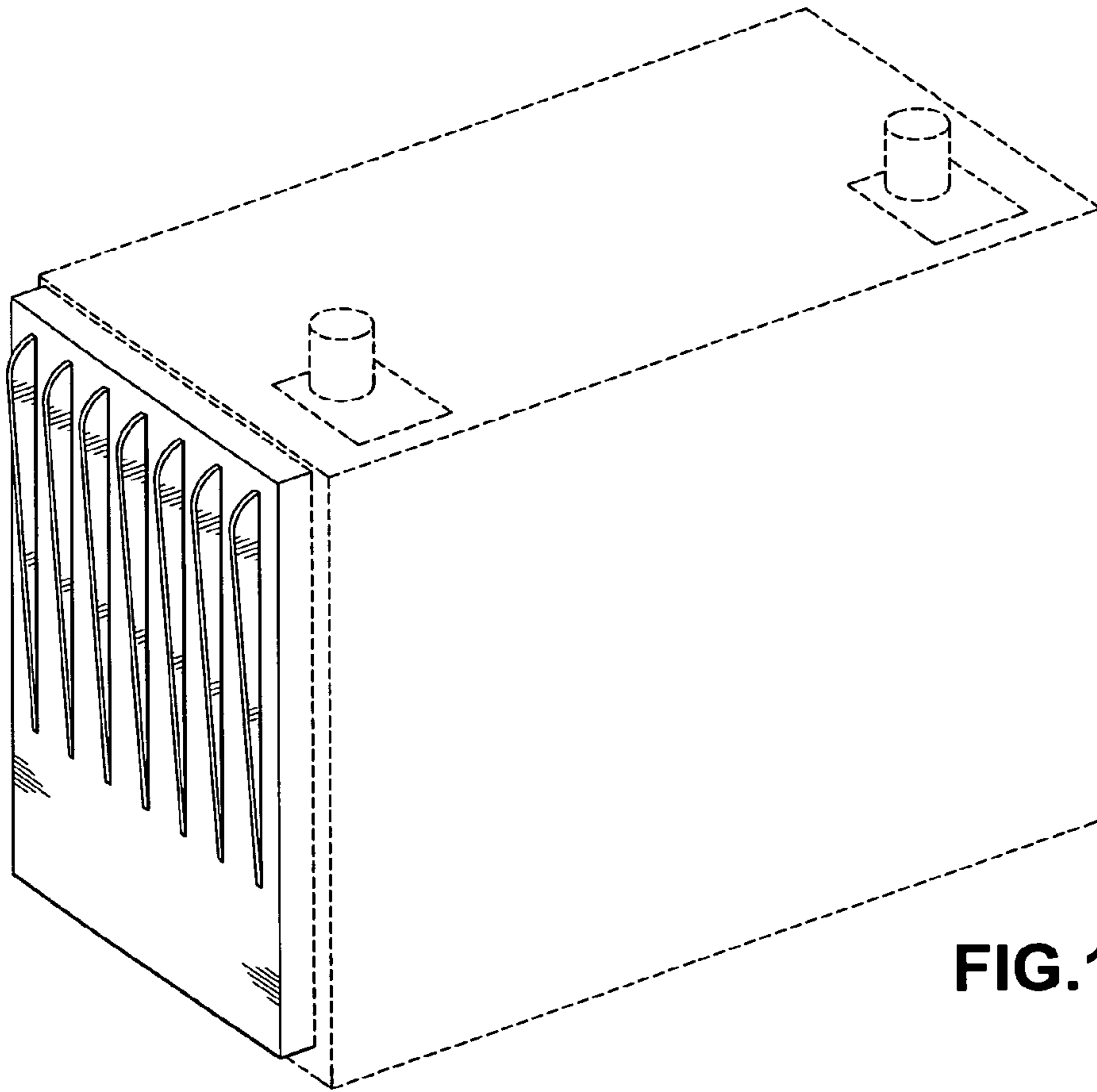


FIG. 1

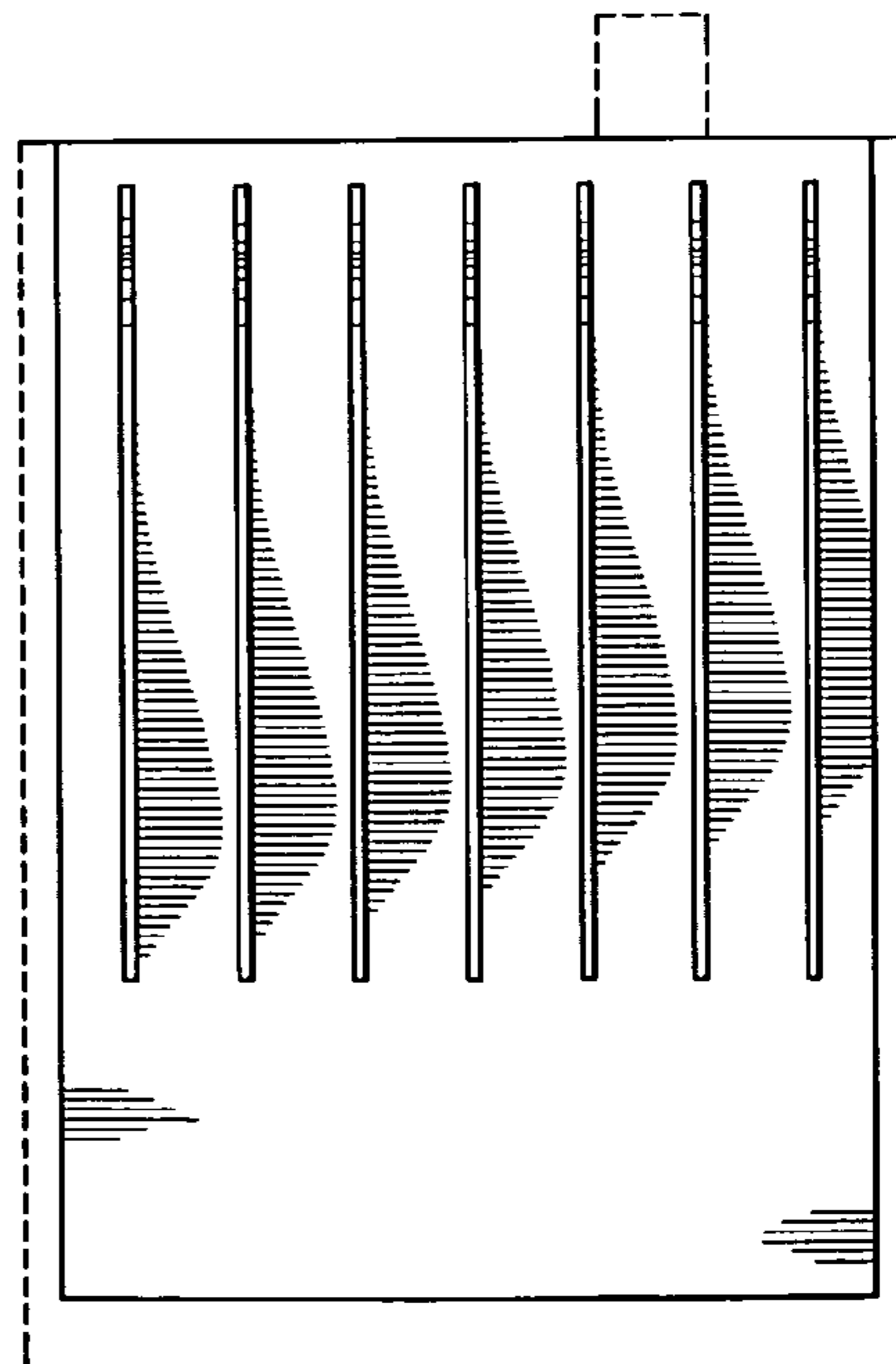


FIG. 2

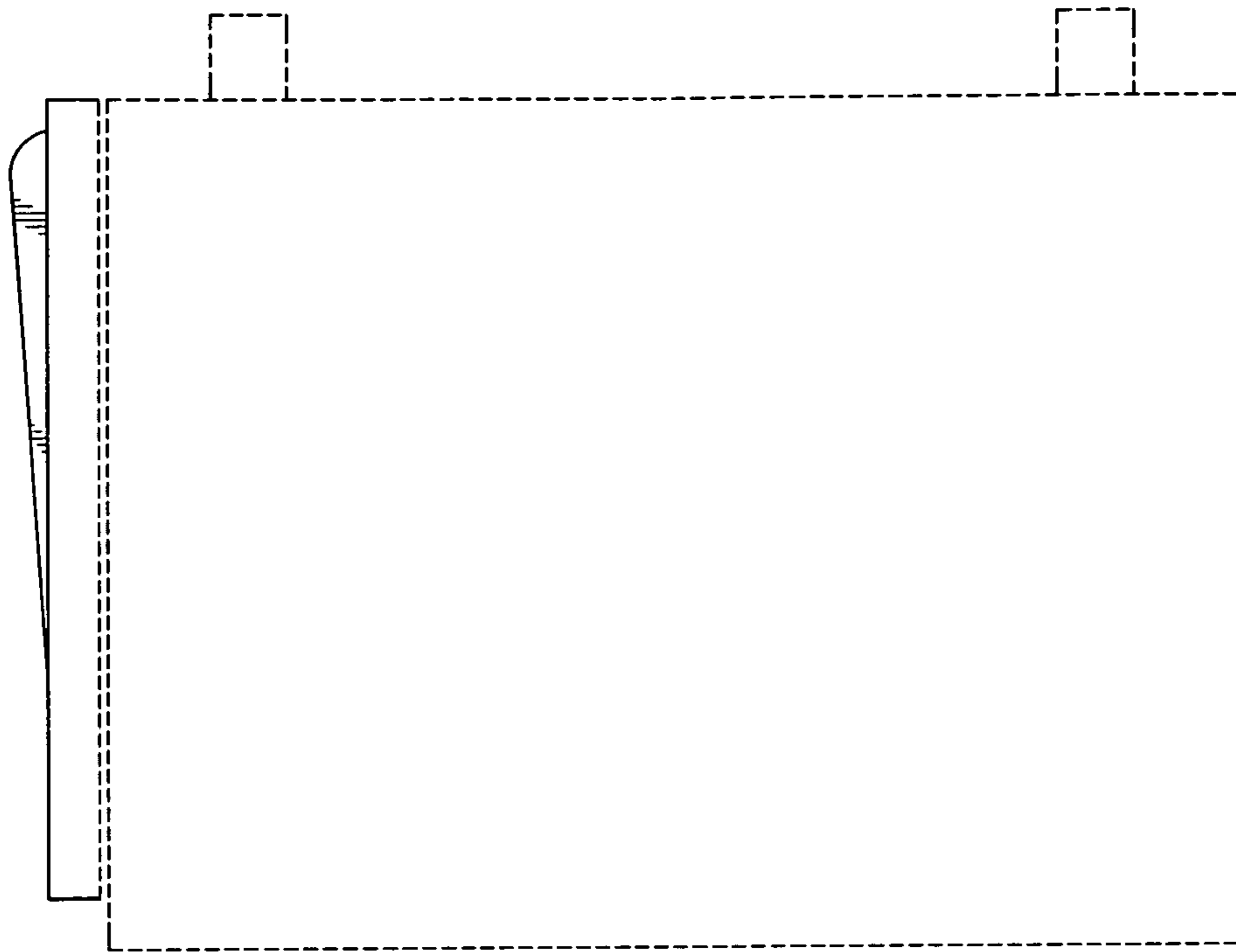


FIG.3

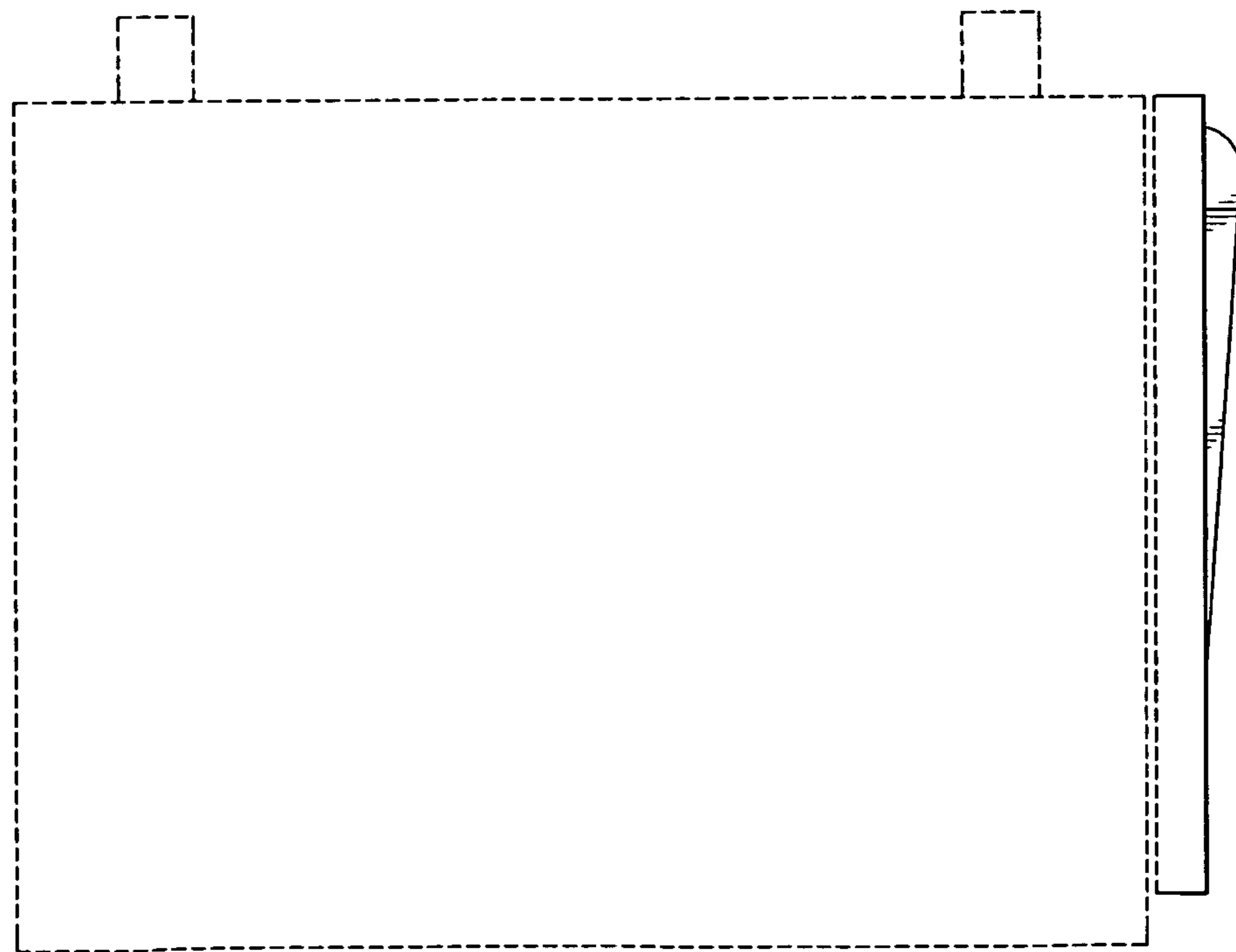


FIG.4



FIG. 5

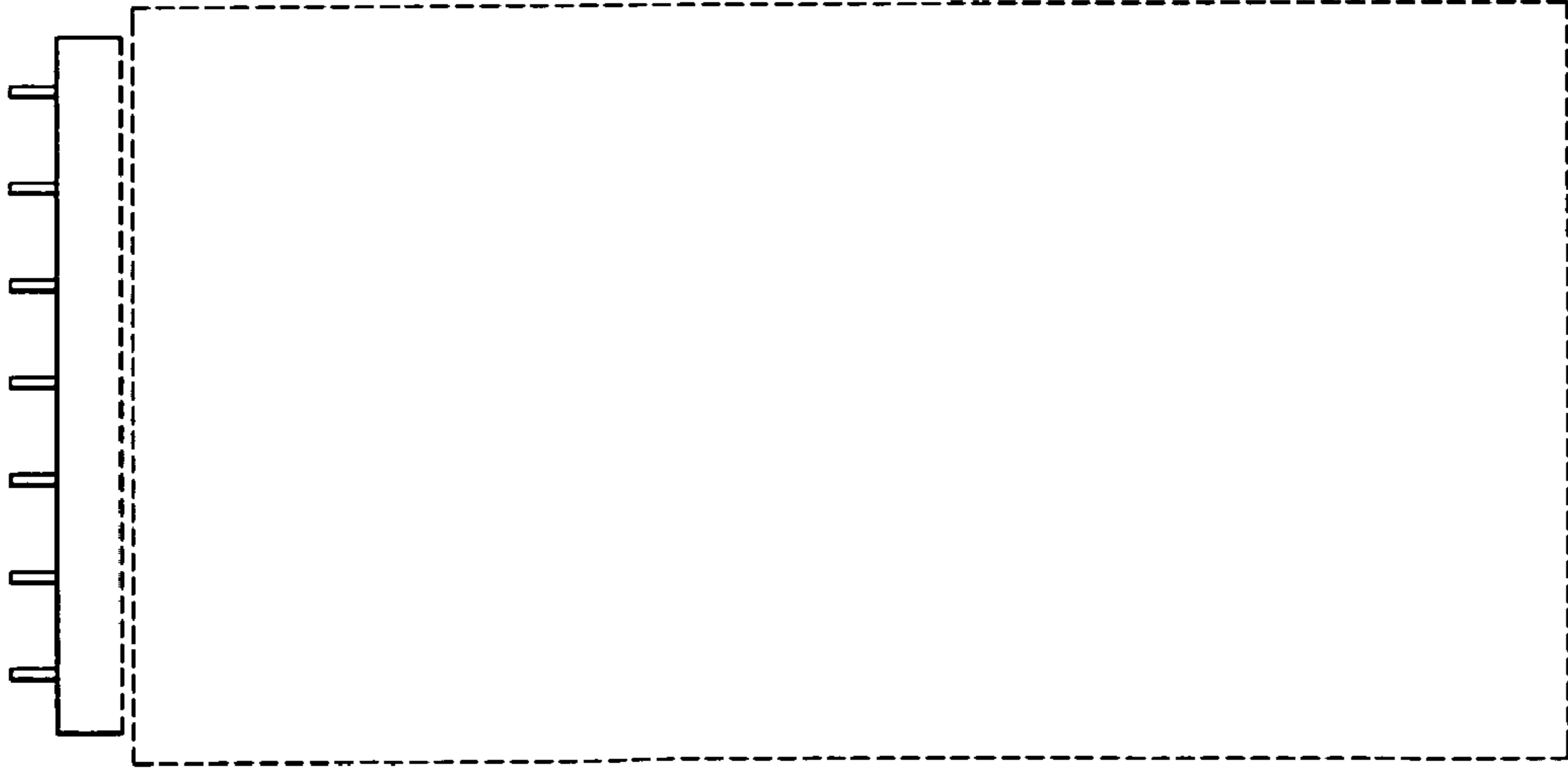


FIG. 6