



US00D664922S

(12) **United States Design Patent**
La Pegna et al.

(10) **Patent No.:** **US D664,922 S**

(45) **Date of Patent:** **** Aug. 7, 2012**

(54) **WIND TURBINE GENERATOR PART**

(75) Inventors: **Luigi La Pegna**, Rome (IT); **Renzo Piano**, Genoa (IT)

(73) Assignee: **Enel Green Power S.p.A.**, Rome (IT)

(**) Term: **14 Years**

(21) Appl. No.: **29/404,454**

(22) Filed: **Oct. 20, 2011**

(30) **Foreign Application Priority Data**

Sep. 30, 2011 (EM) 001925280

(51) **LOC (9) Cl.** **13-01**

(52) **U.S. Cl.** **D13/115**

(58) **Field of Classification Search** D13/115,
D13/118, 122, 199; D12/344, 345; D15/1,
D15/199; D21/458; 290/44, 52, 54, 55;
415/2.1, 4.2, 4.5, 7, 907, 916; 416/1, 7, 9,
416/16, 23, 24, 31, 37, 38, 132 B, 132 R,
416/141, 142, 176, 177, 196 A, 243

See application file for complete search history.

(56) **References Cited**

U.S. PATENT DOCUMENTS

D271,303	S	*	11/1983	Ovelmen	D15/1
D294,247	S	*	2/1988	White et al.	D13/115
D305,419	S	*	1/1990	Korneski	D13/115
5,320,491	A	*	6/1994	Coleman et al.	416/24
5,354,175	A	*	10/1994	Coleman et al.	416/9
D377,642	S	*	1/1997	Drake	D13/115
D517,986	S	*	3/2006	Wobben	D13/115
D587,649	S	*	3/2009	Gudewer	D13/115
D602,861	S	*	10/2009	Talab	D13/115
2004/0057828	A1	*	3/2004	Bosche	416/1

* cited by examiner

Primary Examiner — Derrick Holland

(74) *Attorney, Agent, or Firm* — Steinfl & Bruno, LLP

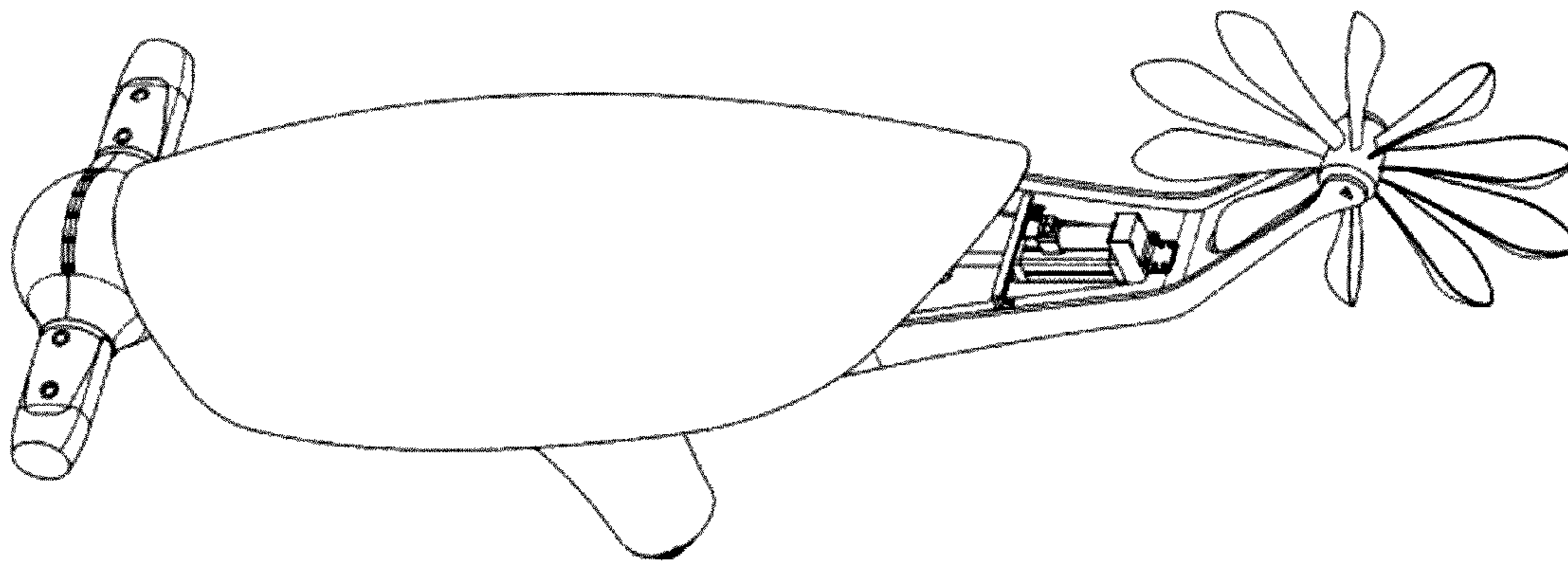
(57) **CLAIM**

The ornamental design for a wind turbine generator part, as shown and described.

DESCRIPTION

FIG. 1 is a side elevation view of a wind turbine generator part showing our new design;
FIG. 2 is a top plan view thereof;
FIG. 3 is a front elevation view thereof; and,
FIG. 4 is a perspective view thereof.
The broken lines shown represent unclaimed subject matter and form no part of the claimed design.

1 Claim, 4 Drawing Sheets



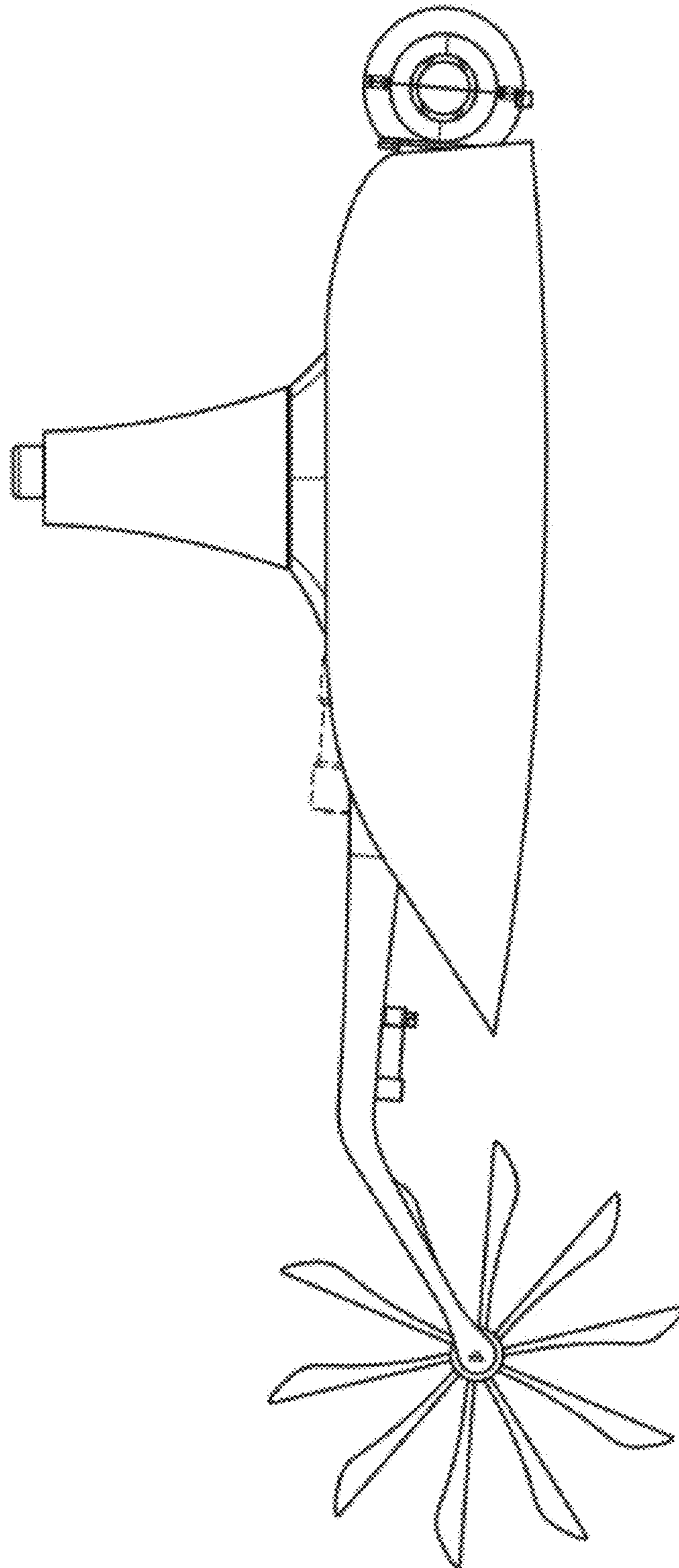


FIG. 1



Figure 2

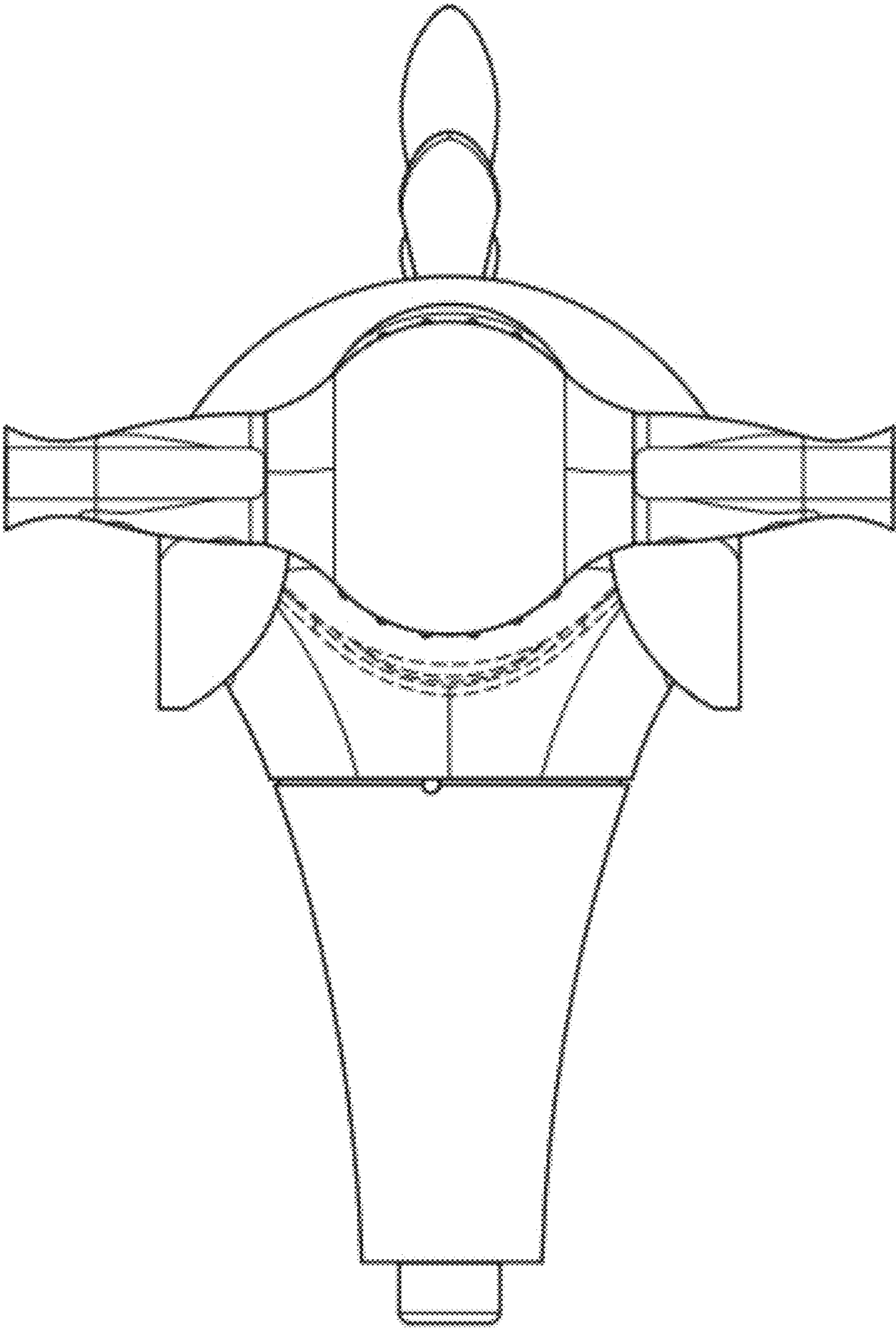


FIG. 3

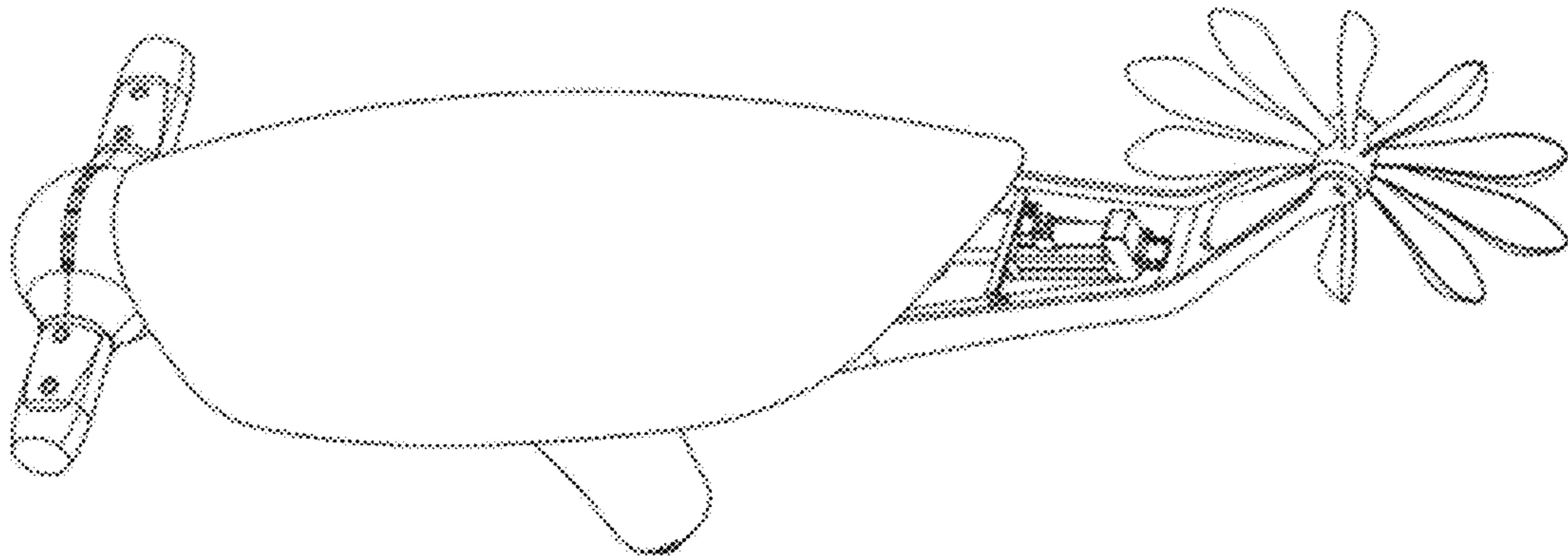


Figure 4